

# Flat Glass Door 444L LED Display Fridge

| Vertical Display & Storage



High-impact LED lighting and customisable lightbox capture attention

Adjustable thermostat for accurate temperature maintenance

Double-glazed safety glass doors increase energy efficiency

Powerful fan for even circulation of cold air

Adjustable shelving for flexibility in display configuration

High-impact internal lighting for perfect product presentation

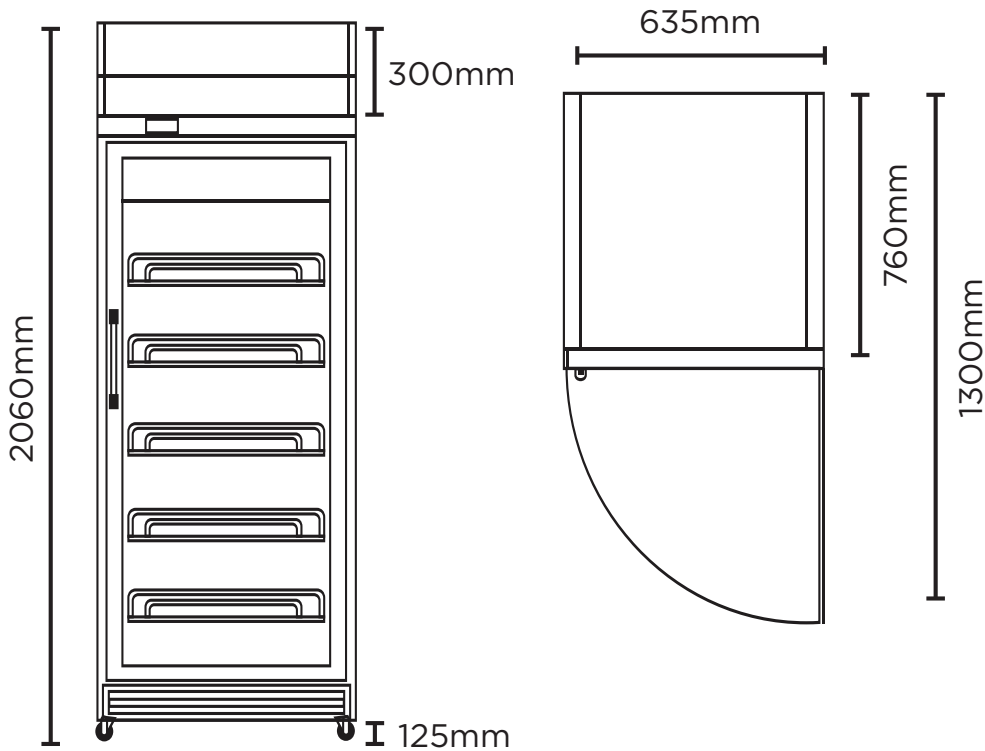
High-density polyurethane insulation keeps temperature and energy consumption low

Self-closing doors minimise temperature loss

Lockable castors make movement and placement easy

# Flat Glass Door 444L LED Display Fridge

| Vertical Display & Storage



SPECIFICATIONS				DIMENSIONS	
Model Number	GD0500LF	Colour	White with s/steel trim	<b>External (mm)</b>	
Part Number	3736245	Display Light Box	Yes	<b>Width</b>	635
Volume	444L	Internal Light	LED	<b>Depth</b>	760
Unit Weight	95kg	No. of Doors	1	<b>Height</b>	2060
Packaged Weight	100kg	Door Type	Glass	<b>Internal (mm)</b>	
Adjustable Temp. Range	+2 to +8°C	Door Glass Type	Double glazed	<b>Width</b>	520
Max. Ambient Temp.	38°C	Door Style	Hinged	<b>Depth</b>	550
Climate Class	3M2	Door Shape	Flat	<b>Height</b>	1420
Energy Consumption	17.76kWh/24h	Door Swing Dimension	720mm	<b>Packaged (mm)</b>	
GEMS Star Rating	1 Star	Total Depth of door open	1300mm	<b>Width</b>	700
Refrigeration Capacity	740W	Self-Closing Door	Yes	<b>Depth</b>	820
Refrigerant	R134a	Door Lock	Yes	<b>Height</b>	2116
Rated Current	4.5A	No. of Shelves incl Base	6		
Electrical Voltage	220-240V	Shelf Type	Adjustable		
Frequency	50Hz	Shelf Dimensions	501(w) x 475(d) mm		
Power Supply	Single Phase	Temp. Controller	Digital		
Plug Plug	Yes, 1 x 10A	Castors	Yes		
Plug Location	Top Right	Warranty	2 Years Bromic Extra Care Warranty - Labour and Parts		