

# COAST Ice & Cold Solutions

## FF5AS - 10AS Series

Sub Zero Flake Ice Machine

380v-415v 3 Phase 50Hz



**FF-AS Series - Freon Flake with Refrigeration including Remote Air-Cooled Condenser**  
Available in 5 Ton and 10 Ton.

The FF-AS Series comes complete with all refrigeration equipment, controls, including air cooled condenser.

Ice is produced at – 9 degrees, from a static vertical evaporator, completely sealed, with minimum maintenance required for the lifetime of the machine. The evaporator is made of high quality, low temperature alloy steel, which increases the heat exchange efficiency and reduces the energy consumption of the machine.

The FF-AS series Flake ice machines can be fitted on a wide range of storage options depending on the customer's requirements.

The FF-AS series is extremely versatile and is used in a wide variety of applications, including: Seafood, Meat Processing, Poultry, Supermarkets and Mining.

**Warranty:** 3 years parts and labour.

**Model list:**

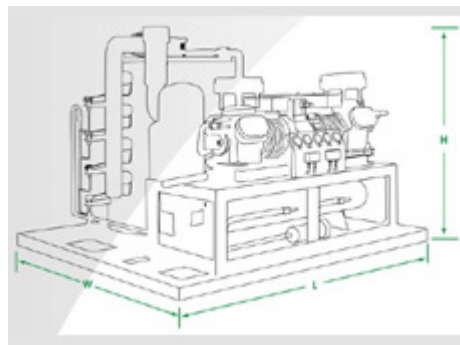
FF5AS/FF10AS

## Dimensions of Evaporator & Compressor Without Packing

Model	W	D	H
FF5AS	2100m	1800m	1250m
FF10A	m	m	m
S	2100m m	1800m m	1800m m

## Dimensions Of Condenser Without Packing

Model	W	D	H
FF5AS	2008m	910mm	1422m
FF10A	m	1160m	m
S	3470m m	m	1522m m



## Technical Parameter

Model	Ice Capacity per 24hr	Condense	Power	Current Draw	Water Consumption	Inlet Water Connection	Drainpipe External Diameter	Net Weight	Condenser Weight
FF5AS	5T	Air	27.5K	25A	208 L/H	3/4" GAS	Ø 21mm	1500kg	250kg
FF10A	10T	Cooled	W	70A	417 L/H	3/4" GAS	Ø 21mm	2500kg	450kg
S		Air Cooled	55KW						