

SKOPE PEGASUS

PG Horizontal Series

1-1 & 2-1 Chillers & Freezers



PG200HC



PG500Prep



PG800Pizza



SKOPE Warranty Protection

To activate your Warranty Protection, you must register your product with SKOPE within 4 weeks from date of invoice.

To register online:

Visit our website at www.skope.com/warrantyprotection then complete and submit the online registration form.



Or alternatively contact our Customer Services team to register:

1800 121 535 (Australia)

0800 947 5673 (New Zealand)

SKOPE 1-year Extended Warranty

Extend your Warranty Protection by 1 year during registration. Please check you have not already organised an extended warranty through your dealer at time of purchase. For pricing information on an extended warranty visit www.skope.com/warrantyprotection

Service & Support

We know you will get years of satisfaction from your new SKOPE product when you follow a few simple preventative maintenance guidelines.

Helpful information is available on our website www.skope.com/serviceandsupport



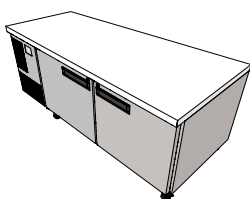
Thank you for purchasing a SKOPE refrigeration product.

CONTENTS

1 Models	
Undercounter	4
Prep.	4
Pizza	4
2 Installation	
Safety First	5
Locating the Cabinet	6
Location	6
Ventilation	6
Power Supply	6
Positioning the Cabinet	7
Plinth Mounting	7
Legs and Castors	7
Shelving	8
Fitting the Shelves	8
Pans	8
Loading Product	8
Pans and Lids	9
Fitting the Lids	9
Remote Cabinets	11
Refrigeration Practice	11
Specifications	11
Drain	11
Electrical	12
Electronic Controller	12
Refrigeration Pipes and Solenoid	12
Installation Diagrams	12
3 Operation	
Automatic Start-Up	14
Refrigeration Unit	14
Electronic Controller	14
HACCP	14
Pans and Lids	14
Electronic Controller	15
Controller Overview	16
Temperature Setpoint	16
Controller Alarms	17
4 Servicing	
Mains Isolation	18
Cleaning	19
Cabinet	19
Condenser Coil	19
Pans & Air Diffusers	19
Lighting	20
Cabinet Interior Lights	20
Advanced Servicing	21
Refrigeration Unit Removal	21
Troubleshooting	23

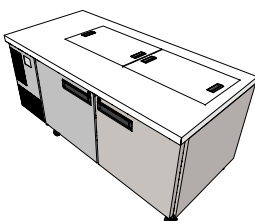
1 Models

Undercounter



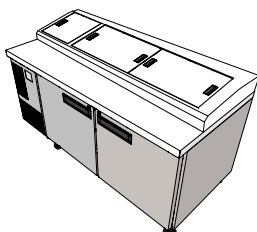
Model	Part No.	Config.	Doors	Refrigeration unit	Operating temperature range
PG100HC-2	JH2301	1-1 chiller	1	Integral	+1°C to +4°C up to 43°C ambient
PG250HC-2	JH2302	1-1 chiller	2	Integral	
PG400HC-2	JH2303	1-1 chiller	3	Integral	
PG550HC-2	JH2304	1-1 chiller	4	Integral	
PG200HC	JK2301	2-1 chiller	1	Integral	
PG500HC	JK2302	2-1 chiller	2	Integral	
PG800HC	JK2303	2-1 chiller	3	Integral	
PG100HCr-2	JH3301	1-1 chiller	1	Remote	
PG250HCr-2	JH3302	1-1 chiller	2	Remote	
PG400HCr-2	JH3303	1-1 chiller	3	Remote	
PG550HCr-2	JH3304	1-1 chiller	4	Remote	
PG200HCr	JK3301	2-1 chiller	1	Remote	
PG500HCr	JK3302	2-1 chiller	2	Remote	
PG800HCr	JK3303	2-1 chiller	3	Remote	
PG100HF-2	JH1301	1-1 freezer	1	Integral	-18°C to -21°C up to 43°C ambient
PG250HF-2	JH1302	1-1 freezer	2	Integral	
PG400HF-2	JH1303	1-1 freezer	3	Integral	
PG500HF	JK1302	2-1 freezer	2	Integral	
PG100HFr-2	JH5301	1-1 freezer	1	Remote	
PG250HFr-2	JH5302	1-1 freezer	2	Remote	
PG400HFr-2	JH5303	1-1 freezer	3	Remote	
PG200HFr	JK5301	2-1 freezer	1	Remote	
PG500HFr	JK5302	2-1 freezer	2	Remote	

Prep



Model	Part No.	Config.	Doors	Refrigeration unit	Operating temperature range
PG250Prep-2	JH7302	1-1 chiller	2	Integral	+1°C to +5°C up to 30°C ambient
PG400Prep-2	JH7303	1-1 chiller	3	Integral	
PG550Prep-2	JH7304	1-1 chiller	4	Integral	
PG500Prep	JK7302	2-1 chiller	2	Integral	
PG800Prep	JK7303	2-1 chiller	3	Integral	
PG250Prepr-2	JH8302	1-1 chiller	2	Remote	
PG400Prepr-2	JH8303	1-1 chiller	3	Remote	
PG550Prepr-2	JH8304	1-1 chiller	4	Remote	
PG500Prepr	JK8302	2-1 chiller	2	Remote	
PG800Prepr	JK8303	2-1 chiller	3	Remote	

Pizza



Model	Part No.	Config.	Doors	Refrigeration unit	Operating temperature range
PG500Pizza	JK9302	2-1 chiller	2	Integral	+1°C to +5°C up to 30°C ambient
PG800Pizza	JK9303	2-1 chiller	3	Integral	
PG500Pizzar	JK6302	2-1 chiller	2	Remote	
PG800Pizzar	JK6303	2-1 chiller	3	Remote	

2 Installation

Safety First Always observe safety precautions when using any electrical appliance. Read these instructions carefully and retain them for future reference.

- ▣ When the appliance is used by or near young children or infirm persons, close supervision is necessary, especially to ensure children do not play with it.
- ▣ Do **not** use this appliance for other than its intended use.
- ▣ Do **not** cover the grilles or block the entry or exhaust of airflow by placing objects up against the refrigeration unit.
- ▣ Do **not** probe any opening.
- ▣ Only use this appliance with the voltage specified on the rating label.
- ▣ Ensure the appliance has adequate ventilation as this is essential to economical, high performance.
- ▣ Be careful not to touch moving parts and hot surfaces.
- ▣ For your own safety and that of others, ensure that all electrical work is done by authorised personnel.
- ▣ If the power supply flexible cord becomes damaged, it must be replaced by an authorised service agent or similarly qualified person in order to avoid a hazard.
- ▣ Ensure all necessary safety precautions are observed during installation or removal of the refrigeration unit.
- ▣ The appliance is not designed to be stable while in motion. Use extreme caution when moving or transporting it.
- ▣ Do not store explosive substances such as aerosol cans with a flammable propellant in this appliance.
- ▣ Please contact SKOPE customer services for advice regarding disposal of this appliance.

CAUTION

Never overload the power supply, which could damage the chiller and product. See the rating label inside the cabinet for the safe power supply and current draw.

WARNING

Always disconnect the chiller from the mains power supply before cleaning or maintenance.

Locating the Cabinet

Location When positioning the cabinet, avoid direct sunlight and warm draughts etc. The cabinet must NOT be situated where it is affected by warm or hot air from adjacent equipment, as this will compromise the airflow and performance of the chiller.

The cabinet must be positioned on a level surface for the doors to shut and seal correctly, and to prevent the condensate tray from overflowing. Adequate allowance should be made for door opening.

Always ensure that the top of the cabinet is shielded from impact and moisture, with either a SKOPE provided bench top, or with a custom or existing bench top.

Prep and Pizza chillers have pan openings with lids on the top of the cabinet. Maximum air movement around the opening area of the cabinet must not exceed 0.3 m/s. Excessive air movement will cause failure of the air curtain above the pans and excessive temperature rise.

When installing the cabinet

- Avoid direct sunlight and warm draughts etc.
- Allow adequate space for the door/s and/or drawer/s to open fully.
- Ensure the cabinet is positioned on a level surface so the door/s shut and seal correctly and to prevent the condensate tray from overflowing.
- Air movement above Prep and Pizza chillers must not exceed 0.3 m/s.

Ventilation For efficient operation of the chiller, it is essential that adequate ventilation be provided around the front of the refrigeration unit. Normal operating conditions should not exceed the operating temperature range (see page 4).

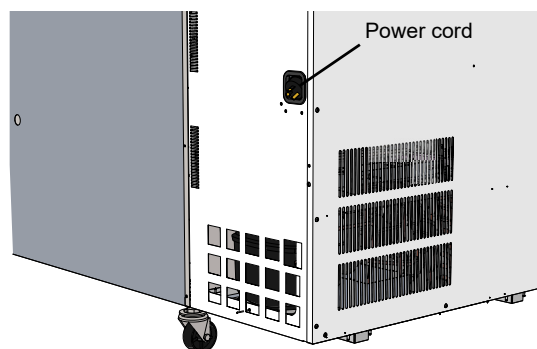
It is critical that the hot refrigeration exhaust air is not restricted and that it can easily flow out and away from the front of the cabinet. Never store cardboard cartons or other items in front of the refrigeration unit. The ventilation slots on the unit front cover must be kept clear at all times.

Power Supply The chiller is supplied with a flexible power cord and plug, which for transit purposes is located inside a compartment in the rear of the cabinet (see image below).

Before final positioning of the chiller, pull the power cord out from the rear compartment and connect to the power supply. For convenience, any surplus cord length may be left inside the cabinet compartment.

WARNING:

Do **NOT** overload the power supply. See the rating label inside the cabinet for power supply and current draw.



Positioning the Cabinet

The cabinet is supplied ready for plinth mounting or with adjustable legs and castors to support the cabinet.

Plinth Mounting 1-1 cabinets are supplied with leg/castor mounting plates on the bottom of the cabinet. Before mounting the cabinet, remove the mounting plates by unscrewing the fixing bolts (4 per mounting plate) to provide a flat surface on the bottom of the cabinet.

2-1 cabinets should be specified as either plinth mounted or leg/castor mounted when ordered. 2-1 plinth mount cabinets have a flat base and are fitted with a plinth surround, ready for positioning in place.

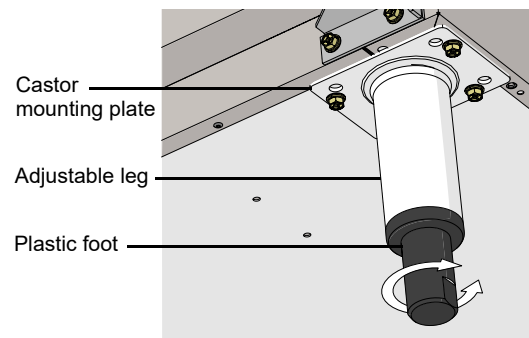
When installing plinth mounted remote refrigeration cabinets, refer to separate technical installation and specification documentation (SKOPE part number: PRN10712).

Legs and Castors 1-1 cabinets and 2-1 leg/castor mount cabinets are packed with a set of adjustable height legs and a set of adjustable height castors. Either of these sets can be fitted to the cabinet depending on specific height and manoeuvrability requirements. The legs or castors should be fitted to the base of the cabinet before final positioning.

The adjustable legs screw into the castor mounting plates attached to the bottom of the cabinet. The adjustable legs can adjust the cabinet height up to 30mm.

To adjust leg height

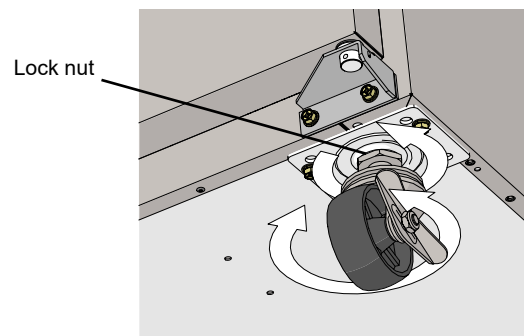
1. Turn the black plastic foot at the bottom of the leg counter-clockwise to raise the height or clockwise to lower.



The adjustable castors screw into the castor mounting plates attached to the bottom of the cabinet. The two lockable castors should be fitted to the front of the cabinet and the non-locking castors fitted to the rear. The adjustable castors can adjust the cabinet height up to 15mm.

To adjust castor height

1. Loosen the lock nut.
2. Turn the castor counter-clockwise to raise the height or clockwise to lower (see image below). Re-tighten each lock nut after final adjustment has been made.



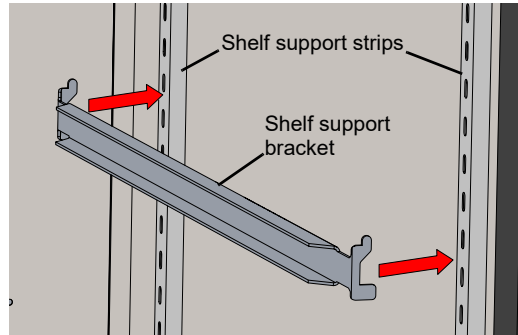
Shelving

Fitting the Shelves The cabinet is supplied with two sets of shelves and shelf support brackets per door. The shelves can be positioned at different heights to suit various products.

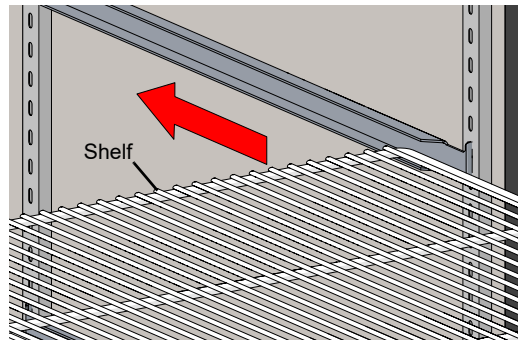
To fit the shelves

1. Unpack the shelving items from inside the cabinet.
2. Establish the desired position for each of the shelves, based on the height of the product intended to go on each shelf.

3. Fit the shelf support brackets into the corresponding slots in both the front and back support strips. Each shelf requires two support brackets.



4. Slide each shelf into the support brackets.



Pans The shelf support brackets can also hold gastronorm pans. To store pans, remove the shelves and slide the pans into the shelf support brackets.

Loading Product The chiller should be left running for 30 minutes before loading with product.

When loading product

- Allow air space around all the product to ensure even cooling and efficient operation of the chiller.
- Do not allow products to overhang the front of the shelf as this could prevent the doors from shutting. Leave an airspace of at least 75mm above product loaded on the top shelf.
- Do not exceed a maximum loading of 20kg per shelf.
- Remove some product if the shelves are flexing or bending.

Pans and Lids

Prep and Pizza chillers are supplied with food preparation pans and sliding lids which fit into openings on top of the cabinet. Refer to the tables below for standard pan and lid quantities:

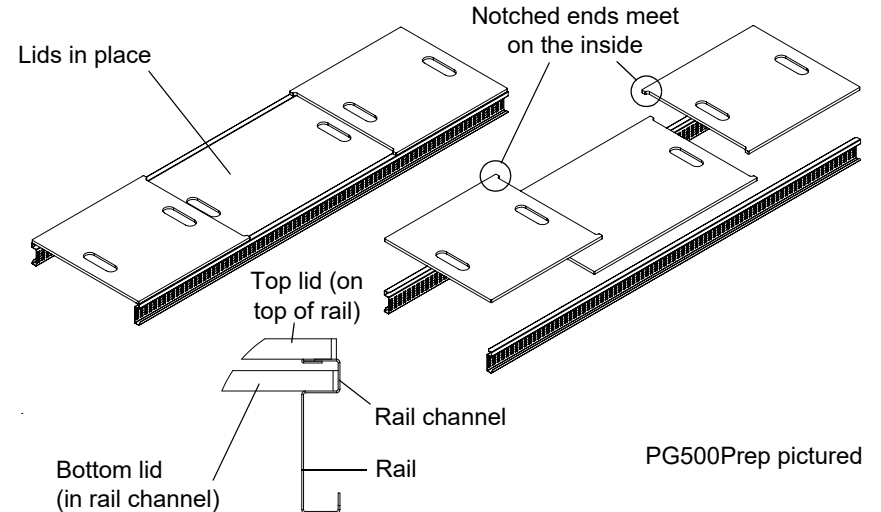
Prep cabinet

Model	Doors	Pans	Lids		
			Large	Small	Ambient
PG250Prep-2	2	4 x 1/3 150mm deep refrigerated pans	-	2	-
PG400Prep-2	3	7 x 1/3 150mm deep refrigerated pans	1	2	-
PG550Prep-2	4	10 x 1/3 150mm deep refrigerated pans	2	2	-
PG500Prep	2	7 x 1/3 150mm deep refrigerated pans	1	2	-
PG800Prep	3	11 x 1/3 150mm deep refrigerated pans	3	1	-

Pizza cabinet

Model	Doors	Pans	Lids		
			Large	Small	Ambient
PG500Pizza	2	7 x 1/3 150mm deep refrigerated pans, 2 x 1/3 65mm deep ambient pans	1	2	1
PG800Pizza	3	11 x 1/3 150mm deep refrigerated pans, 2 x 1/3 65mm deep ambient pans	3	1	1

Fitting the Lids Fit the lids into the removable rails in the well, and should alternate between the bottom (in the rail channel) and top (on top of the rail). Orientation of the lids is important. Ensure the notched ends meet on the inside to prevent finger jamming. See over page for fitting instructions.

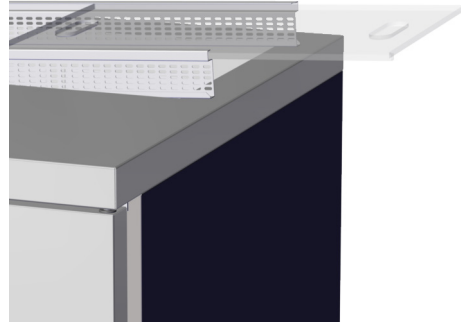


To fit sliding lids

1. Lift the rails from the well, leaving the ends resting on one side of the cabinet top.

2. Configure the lids as required with the notched ends meeting on the inside, and slide the lower lids into the rails.

Orientation of the lids is important. Ensure the notched ends meet on the inside to prevent finger jamming.



3. Lower the rails and lower lids fully into the well so that they sit on the outside of the pan edges, and place the remaining lids on top of the rails.

For correct operation of the chiller, the sliding lids must stay closed on the cabinet and should cover the food preparation pans when not in use.

IMPORTANT

Sliding lids must be in place when pans not in use. Leaving the lids off for extended periods will compromise performance of the chiller.

Prep and Pizza chiller operating temperature range is +1°C to +5°C for up to four hours in 30°C ambient with the lids off.

Remote Cabinets

Refrigeration Practice

Installation must be performed by a refrigeration tradesperson, to an appropriate standard complying with all local regulations.

Performance depends on the overall installation (including condensing unit). Cabinet suitability must always be quantified for the application. The final responsibility for condensing unit performance and component selection rest with the installer.

The installer **must** check matters such as:

- ▣ Heat and refrigeration load.
- ▣ Variable operating conditions (usage, ambient and humidity).
- ▣ Refrigeration pipe sizing and length (distance, elevation and pressure drop).
- ▣ Location and ventilation (cabinet and condensing unit).
- ▣ Drainage and power supply.
- ▣ Fully evacuating the unit prior to charging.

Specifications

Pegasus horizontal 1-1

Model	Refrig. duty	Max ambient temp.	Mean product temp.	Condensing temp.	Liquid temp.	Evaporating temp. (SST)	Operation basis
PG100HCr-2	210 Watts	43°C	3.5°C	45°C	40°C	-5°C	18 / 24 hours
PG250HCr-2	360 Watts	43°C	3.5°C	45°C	40°C	-5°C	18 / 24 hours
PG400HCr-2	485 Watts	43°C	3.5°C	45°C	40°C	-5°C	18 / 24 hours
PG550HCr-2	630 Watts	43°C	3.5°C	45°C	40°C	-5°C	18 / 24 hours
PG100HFr-2	230 Watts	43°C	-18°C	45°C	40°C	-30°C	18 / 24 hours
PG250HFr-2	385 Watts	43°C	-18°C	45°C	40°C	-30°C	18 / 24 hours
PG400HFr-2	550 Watts	43°C	-18°C	45°C	40°C	-30°C	18 / 24 hours
PG250Prepr-2	500 Watts	30°C	3.5°C	45°C	40°C	-5°C	18 / 24 hours
PG400Prepr-2	980 Watts	30°C	3.5°C	45°C	40°C	-5°C	18 / 24 hours
PG550Prepr-2	1180 Watts	30°C	3.5°C	45°C	40°C	-5°C	18 / 24 hours

Pegasus horizontal 2-1

Model	Refrigeration duty	Max ambient temp.	Mean product temp.	Condensing temp.	Liquid temp.	Evaporating temp. (SST)	Operation basis
PG200HCr	447 Watts	43°C	3.5°C	45°C	40°C	-10°C	18 / 24 hours
PG500HCr	534 Watts	43°C	3.5°C	45°C	40°C	-10°C	18 / 24 hours
PG800HCr	599 Watts	43°C	3.5°C	45°C	40°C	-10°C	18 / 24 hours
PG200HFr	180 Watts	43°C	-18°C	45°C	40°C	-30°C	18 / 24 hours
PG500HFr	364 Watts	43°C	-18°C	45°C	40°C	-30°C	18 / 24 hours
PG500Prepr	706 Watts	30°C	3.5°C	45°C	40°C	-10°C	18 / 24 hours
PG800Prepr	706 Watts	30°C	3.5°C	45°C	40°C	-10°C	18 / 24 hours

Drain

A 350mm long, 19mm O.D. PVC drain hose is supplied. All drainage must conform to local regulations, covering removal of condensate to waste water. Ensure the cabinet is level and the drain is trapped with adequate fall. Venting the drain may be required for a restrictive run. Use rigid PVC pipe for the drain and ensure the drain has a minimum fall of 50mm per metre of drain length.

Electrical The cabinet is supplied with a 10A flexible power cord and 3-pin plug. The cabinet lighting and centre pillar heater elements are protected by a 3A fuse, located in the unit junction box.

Once the chiller has been installed it can be disconnected from the mains power supply by turning off the cabinet isolation switch and unplugging the refrigeration unit supply isolation flexible cord - located inside the refrigeration unit compartment (see diagram below).

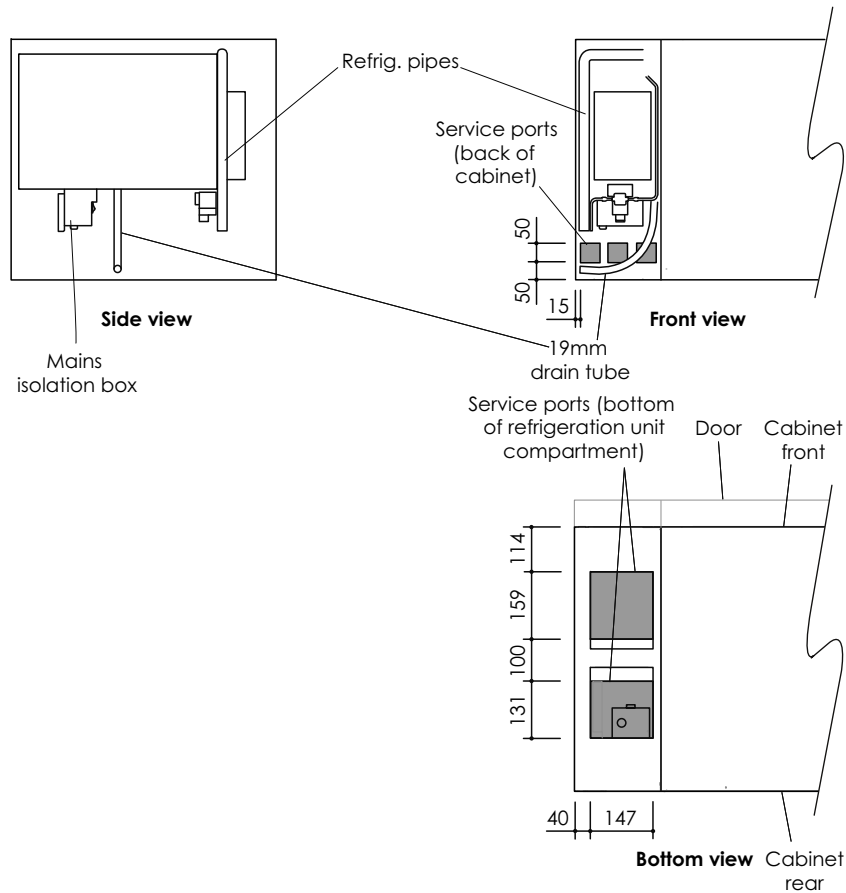
Electronic Controller When the cabinet is connected to the power supply, the electronic controller will display the current cabinet temperature. On the controller display, the ⊖ symbol will indicate the compressor output signal has been initiated and the ⚙ symbol will indicate the evaporator fan is on.

Refrigeration Pipes and Solenoid A 1/4" liquid line and a 3/8" suction line are provided to attach pipes to. The suction line must be insulated.

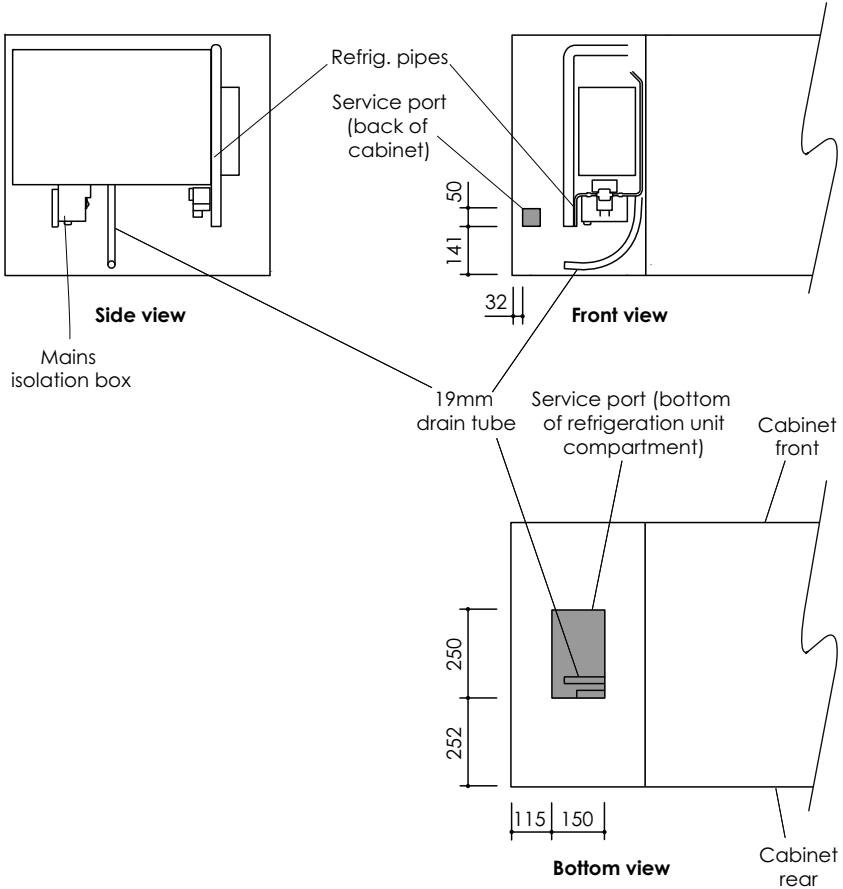
The electronic controller supplied with the cabinet can switch a solenoid. No solenoid is supplied with the standard remote unit. If a solenoid is fitted and controlled by the electronic controller, the solenoid will need to be connected to the connector block inside the unit junction box.

Installation Diagrams Refer to the diagram below (Pegasus Horizontal 1-1) and over the page (Pegasus Horizontal 2-1) for component locations and unit access points.

Pegasus Horizontal 1-1 installation diagram



Pegasus Horizontal 2-1 installation diagram



3 Operation

Automatic Start-Up



Connect the cabinet to the mains power supply and check operation of the refrigeration unit and electronic controller.

Ensure the cabinet isolating switch, located inside the refrigeration unit compartment, is turned on (see “Mains Isolation” on page 18).

IMPORTANT

If the cabinet has been on its back, leave for 30 minutes before running.

Refrigeration Unit The compressor, and the condenser and evaporator fans should all operate within two minutes from the time the cabinet is plugged in. This may be verified by listening for compressor switch-on and checking for air movement inside the cabinet. The compressor and condenser fan will switch off when the cabinet internal air reaches a pre-set temperature.

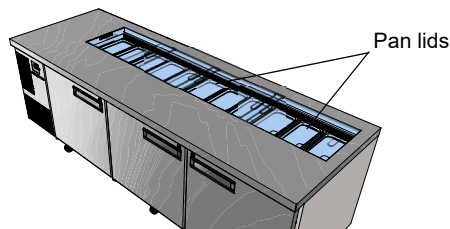
Electronic Controller When the cabinet is connected to the power supply, the electronic controller will display the current cabinet temperature. The compressor LED  will indicate the compressor is operating and the evaporator fan LED  will normally come on within two minutes (see “Electronic Controller” on page 15 for controller display).

To ensure efficient operation, the electronic controller forces regular defrosts. During the defrost cycle, the compressor and condenser fan switch off and the evaporator fan stays on.

HACCP If Hazard Analysis Critical Control (HACCP) functions are required, to monitor food storage temperature, please contact SKOPE to arrange for an authorised SKOPE service technician to setup the electronic controller.

Pans and Lids

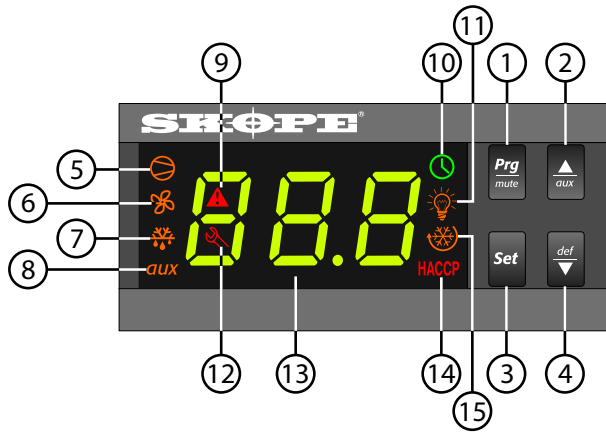
For correct operation of Prep and Pizza chillers, the pan lids must stay on the cabinet and should cover the food preparation pans when not in use. The maximum recommended operating ambient temperature for Prep and Pizza chillers is 30°C.



IMPORTANT



Lids or sliding covers must be in place when pans not in use. Leaving the lids off for extended periods will compromise performance of the chiller.

Electronic Controller



Item	Icon	Function
1		Mute / program: Mutes the audible alarm (buzzer) and deactivates the alarm relay. To initiate program sets, press for 5 seconds.
2		Up: To scroll settings up (in program mode).
3		Set point: If pressed for more than 2 seconds displays and / or enables changing the temperature setpoint.
4		Manual defrost / down: Press for more than 5 seconds to initiate manual defrost. To scroll settings down (in program mode).
5		Compressor: ON when the compressor and condenser fan starts. Flashes when activation of the compressor is temporarily delayed.
6		Fan: Shows when the fan is operational.
7		Defrost: ON when the defrost is activated. Flashes when the activation of the defrost is temporarily delayed due to procedures in progress.
8	<i>aux</i>	Aux: n.a.
9		Alarm: Flashes in the event of alarms.
10		Clock: n.a.
11		Light: n.a.
12		Service: Flashes in the event of malfunctions.
13		DISPLAY: Shows the cabinet temperature. Flashes when the door is open.
14	HACCP	HACCP: n.a.
15		CONTINUOUS CYCLE: On when freezer is running in continuous run mode.

Controller Overview The CAREL ir33 electronic controller controls and displays the internal cabinet temperature. The preset temperature setting keeps the product temperature within the operating temperature range (see page 4). The electronic controller also signals temperature alarms (see next page).

For general operation, the electronic controller requires no initial setup or additional programming. When the cabinet is connected to the power supply, the electronic controller will display the current cabinet temperature. The compressor LED  will indicate the compressor is operating and the evaporator fan LED  will normally come on within 2 minutes.

Open the unit door to access to electronic controller for programming. **Note:** On 2-1 cabinets the controller must also be unhooked from the unit door to access the buttons.

Temperature Setpoint The chiller temperature setpoint is factory set and can be adjusted if necessary.

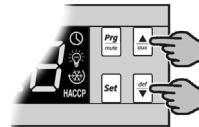
SKOPE do not recommend that the setpoint be changed unless it is absolutely necessary, and then only by small increments at a time.

To view and adjust the temperature setpoint

1. To view the setpoint:
Press and hold the **Set** key for 2 seconds, until the setpoint value flashes.



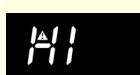

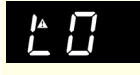




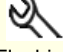






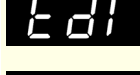
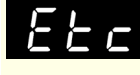






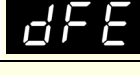


2. To adjust the setpoint:
Press either the $\frac{\Delta}{aux}$ or $\frac{def}{\nabla}$ keys to display the required setpoint value.



3. Press the **Set** key again to memorise the new setpoint value. If this is not done within 60 seconds changes will be lost and you will need to repeat the above procedure.



Controller Alarms The following table explains messages that the electronic controller displays and related alarms. Alarms signal unexpected operational changes in the freezer and stop when action is taken to resolve the problem.

Code	Display	Alarm	Action	
	 Flashing	Product HIGH temperature alarm (auto reset)	1. Check the cabinet product loading to ensure ventilation slots are not blocked, and that product does not overhang the shelves. Ensure the doors are closed. 2. Ensure the cabinet is installed with good refrigeration unit ventilation. 3. Check and clean the condenser coil (see page 19). 4. If immediate alarm recovery is required - unplug the cabinet from the power supply for 1 minute, then reconnect to power supply. If alarm persists, contact SKOPE. NOTE: The 'HI' and 'LO' alarms deactivate the cabinet lighting and trim heaters.	
	 Flashing	Product LOW temperature alarm (auto reset)		
	 Flashing	Refrigeration system high temperature pre-warning (auto reset)	1. Clean the condenser coil (see page 19). 2. Check refrigeration ventilation. Ensure clear airpath in front of the cabinet. 3. Ensure the cabinet is installed in a suitable environment. 4. To reset the 'CHt' alarm - unplug the cabinet from the power supply for 1 minute, then reconnect to power supply. If alarm persists, contact SKOPE.	
	 Flashing	Refrigeration system and cabinet high temperature shutdown (manual reset)		
	 Flashing	Ambient probe fault (also flashes 'rE')	To reset alarm - unplug the cabinet from the power supply for 1 minute, then reconnect to power supply. 1. If alarm persists, contact SKOPE.	
	 Flashing	Evaporator probe fault		
	 Flashing	Condenser probe fault		
	None	Defrost over-time limit		
	 Flashing	Real-time clock fault		
	 Flashing	Controller E prom error		
	 Flashing	Controller E prom error		
	None	Start defrost request		None
	None	End defrost request		
	 Flashing	Door open alarm		Check that a door or drawer has not been left open. Note: The audible alarm buzzer cannot be turned off manually.

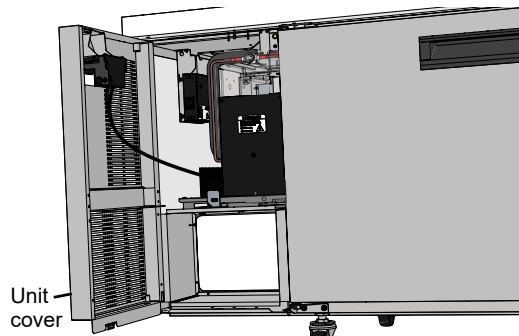
4 Servicing

Mains Isolation

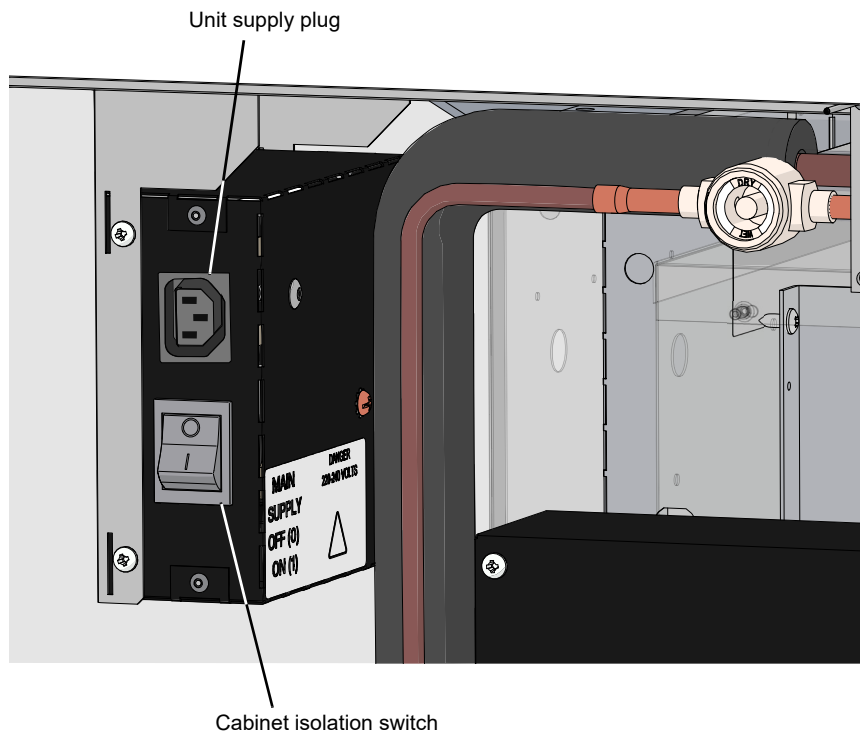
The chiller can be isolated from the mains power supply by turning off the cabinet isolating switch and unplugging the unit supply plug, located inside the refrigeration unit compartment.

To isolate the chiller from the power supply

1. Open the unit cover.



2. Switch off (O) the power at the isolation switch, located on the LH side of the refrigeration cassette compartment, and unplug the unit supply plug.

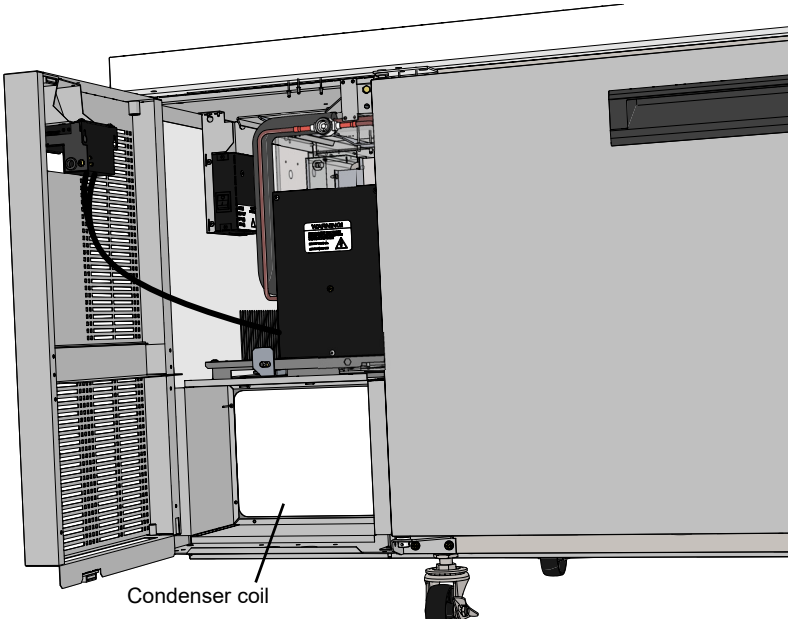


Cleaning

Cabinet When necessary, wipe both the interior and exterior of the cabinet with a damp cloth. Ensure the cabinet is disconnected from the mains power supply before cleaning the cabinet.

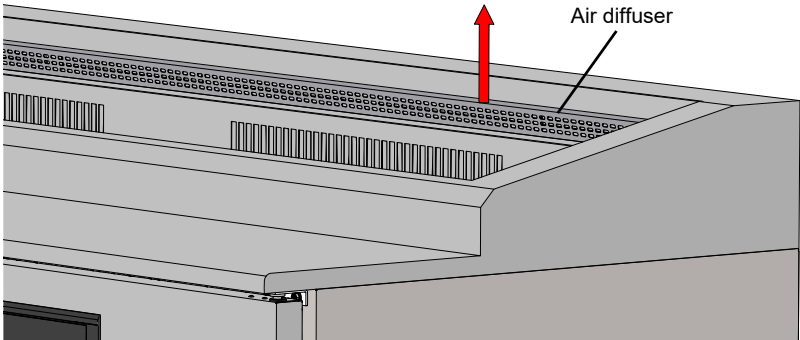
CAUTION
Disconnect the cabinet from the mains power supply before cleaning the condenser coil or washing the cabinet with water.

Condenser Coil Integral cabinets only. The condenser coil should be brushed clean once a month and blown clean by qualified service personnel every six months. Over time, dust may accumulate within the condenser that cannot be removed with a brush. If this occurs, contact SKOPE to arrange for a SKOPE authorised service agent to clean the condenser with compressed air. The condenser coil is located inside the refrigeration unit compartment and is accessed by opening the unit front cover. Isolate the chiller from the power supply (see previous page) before cleaning the condenser coil.



IMPORTANT
If the electronic controller display flashes '**cht**' the condenser coil must be cleaned immediately.

Pans & Air Diffusers Prep and Pizza cabinets only. The food preparation pans and air diffuser panels can be easily lifted from the cabinet for cleaning.



Lighting

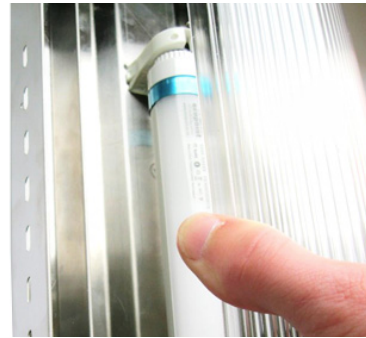
Cabinet Interior Lights Pegasus 1-1 cabinets are fitted with door activated cabinet interior lights. Depending on the cabinet size, the interior is lit by one or two 5 Watt T8 LED tubes (Ø26 x 360mm), fitted behind the centre pillars. The single door model, without a centre pillar, has the interior LED light tube fitted on the ceiling of the cabinet.

Note: Pegasus 2-1 cabinets are not fitted with interior lights.

To replace the interior LED light tube

1. Isolate the cabinet from the power supply (see page 18).

2. Remove the diffuser by squeezing it until it is released from the housing, and then push the diffuser out of the way (multiple door cabinet pictured for clarity).



3. Rotate the LED tube until the pins on the ends of the tube align with the slots, then slide it out. **Note:** access can be made easier by removing the shelves.



4. Fit a new LED tube and clip the diffuser back into place. When fitting vertically mounted LED tubes, ensure the tube is fitted with the 'Power' end at the top.

Advanced Servicing

Advanced servicing should be carried out by an authorised service agent. Detailed service and spares information is available in the SKOPE Pegasus Service Manual (MAN10711) and detailed technical information on the electronic controller can be found in the SKOPE Pegasus Technicians Manual (MAN3224).

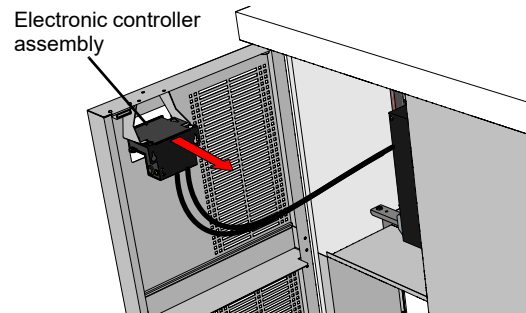
Refrigeration Unit Removal

Integral units only. For ease of servicing, the entire refrigeration unit can be removed.

To remove the refrigeration unit

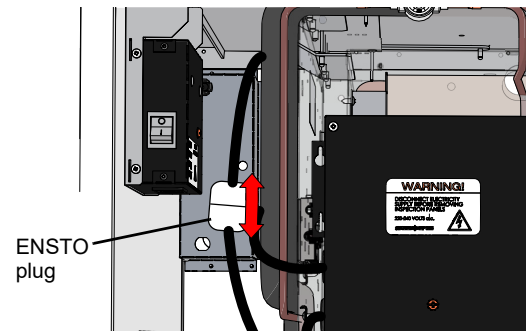
1. Open the unit cover and isolate the chiller from the power supply.

2. Detach the electronic controller assembly from the unit cover by undoing the two fixing screws. Place the electronic controller on top of the condenser duct.

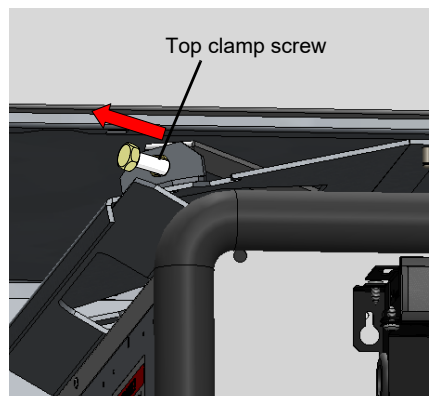


3. Remove the unit cover by lifting the bottom corner of the cover off the bottom hinge pin.

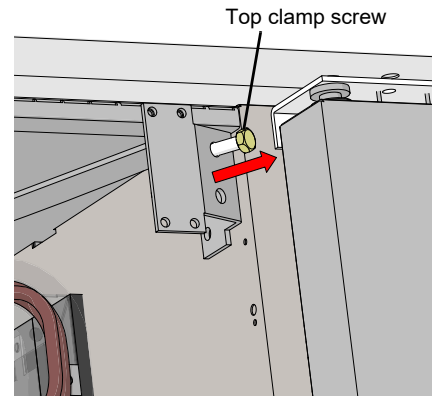
4. Disconnect the cabinet supply ENSTO plug.



5. Remove the top clamp screw from the clamp mechanism on top of the unit (screw is located on the LH side of the unit compartment on 1-1 cabinets and RH side on 2-1 cabinets).



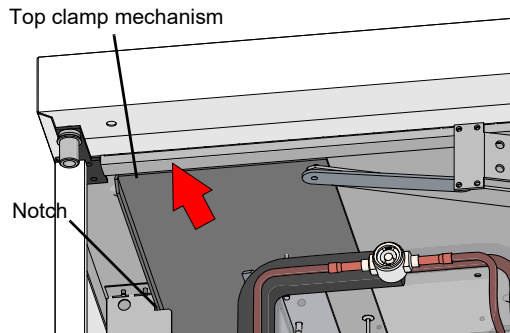
1-1 cabinet top clamp screw



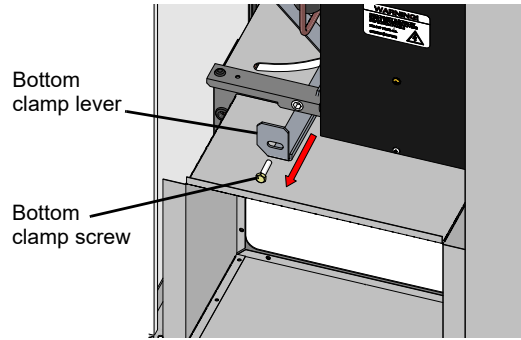
2-1 cabinet top clamp screw

Continued over page

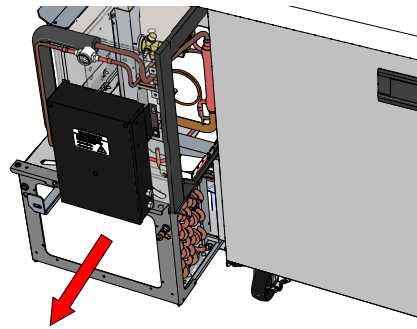
6. Pull the top clamp mechanism fully forward and to the left so that it sits on the notch on the LH side of the refrigeration unit compartment (this keeps the mechanism up out of the way).



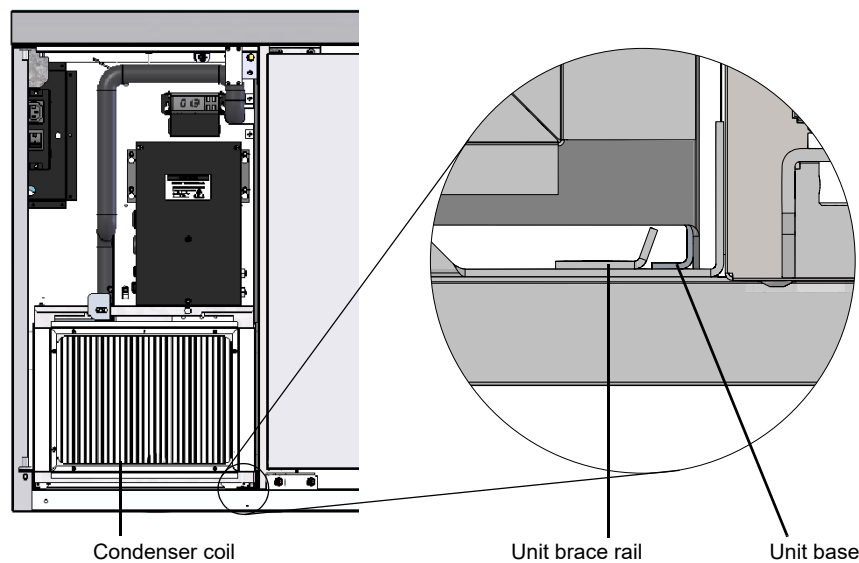
7. Remove the bottom clamp screw from the front of the refrigeration unit, and pull the bottom clamp lever out while applying adequate force to the right hand side of the wiring junction box to disengage the unit from the cabinet wall (the unit will need to move over approximately 60mm).



8. Carefully pull the refrigeration unit out from the unit compartment.



9. When refitting the refrigeration unit:
 - Ensure that all seals are in good condition.
 - Refit the bottom clamp screw first before fitting the top clamp screw, and ensure the lower edge of the unit base is engaged with the brace rail.



Troubleshooting

Complaint	Possible Cause	Repair
1. Cabinet not operating and no controller display:	<ul style="list-style-type: none"> • Loss of power supply. 	<ul style="list-style-type: none"> • Check that the cabinet isolating switch is turned on (see page 18). • Check mains power supply.
2. Power consumption is higher than expected:	<ul style="list-style-type: none"> • Unit operating too hot. • Cabinet doors are opened excessively. 	<ul style="list-style-type: none"> • Clean condenser. Ensure the chiller is installed with good ventilation around the refrigeration unit. • Keep door/s open for minimum time.
3. Product is too warm and spoiling:	<ul style="list-style-type: none"> • Restricted cabinet airflow. • Temperature setpoint is too warm. 	<ul style="list-style-type: none"> • Ensure product is not blocking airflow slots and the product is no closer than 75mm from the cabinet top. • Adjust setpoint (see page 16).
4. Warm cabinet temperatures and/or compressor operating for long periods (more than 1 hour):	<ul style="list-style-type: none"> • Blocked condenser. • Poor refrigeration unit ventilation. 	<ul style="list-style-type: none"> • Clean condenser (see page 19). • Ensure the cabinet is installed with good ventilation around the refrigeration unit.

SKOPE Industries Limited

NEW ZEALAND CONTACT

Head Office
PO Box 1091, Christchurch
New Zealand
Freephone: 0800 947 5673
Fax: (03) 983 3896
E-mail: enquiry@skope.co.nz
Website: www.skope.co.nz

AUSTRALIAN CONTACT

A.B.N. 73 374 418 306
PO Box 7543, Baulkham Hills B.C.
NSW 2153, Australia
Freephone: 1800 121 535
Fax: 1800 121 533
E-mail: enquiry@skope.com.au
Website: www.skope.com.au

Trademark Infringement

The SKOPE trademark on this product is infringed if the owner, for the time being, does any of the following:

- Applies the trade mark to the product after their state, condition, get-up or packaging has been altered in any manner
- Alters, removes (including part removal) or obliterates (including part obliteration) the trade mark on the product
- Applies any other trade mark to the product
- Adds to the product any written material that is likely to damage the reputation of the trade mark

Notice of the above contractual obligations passes to:

- Successors or assignees of the buyer
- Future owners of the product

SKOPE Pegasus
PG Horizontal Series
User Manual
MAN10710
Rev. 2.2 Mar. 2018

© 2013 SKOPE Industries Limited. All rights reserved.

SKOPE Industries Limited reserve the right to alter specifications without notice.

SKOPE® is a registered trademark of SKOPE Industries Limited.