

specifications

PG200HF

Pegasus Horizontal 2/1
INTEGRAL, 1 Door, Freezer

CABINET DIMENSIONS

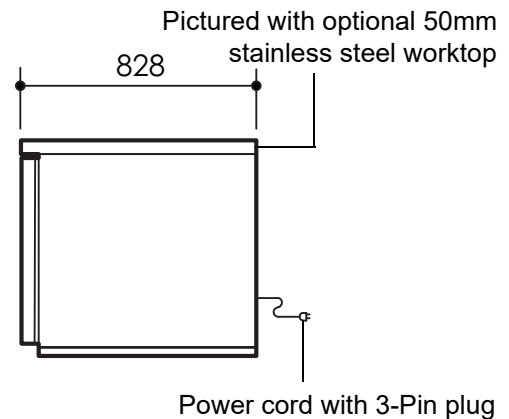
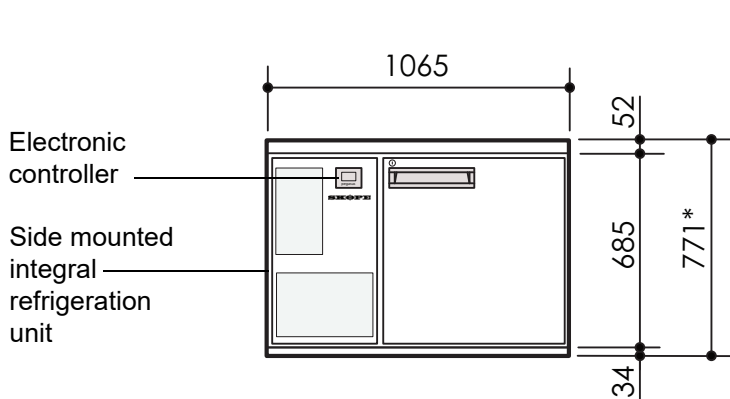
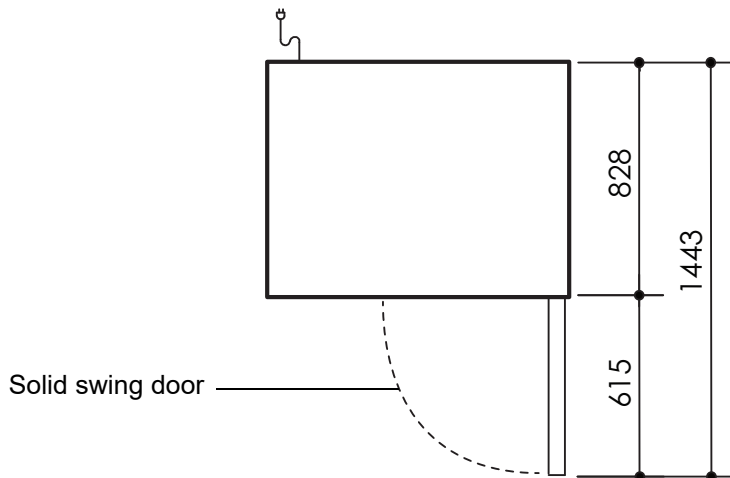
	External	Internal
Height:	771mm*	565mm
Width:	1065mm	565mm
Depth:	828mm	650mm
Floor area:	0.88m ²	
Gross volume	210L	
Net volume	125L	

* Height includes plinth and worktop (excludes castors and adjustable legs).

Dimensional tolerances

Before installing this cabinet allow the following dimensional tolerances:

Linear dimensions	Overall cabinet dimensions	Length of multiple cabinets	
		At each joint	At each end wall
Less than 1 metre	±5mm	±5mm	+15mm
More than 1 metre	-5mm to +10mm	-5mm to +10mm	+15mm



CABINET SPECIFICATIONS

Door	Solid stainless steel, self-closing door (with key lock) - RH hinged
Internal door opening size	1 door opening: 565mm high x 565mm wide
Shelves	Two levels of non-tip, adjustable tray slides and/or shelves per door
Worktop (optional)	Optional 50mm square edged stainless steel worktop
Weight	132 kg
Electrical safety climate class	5
Internal lighting	n.a.
Electrical	230-240 Volts a.c. 50 Hz, 3.00 Amps
Temperature range	-18°C to -21°C up to 40°C ambient
GEMS class	5L1
GEMS energy consumption	7.66 kWh/24h
GEMS annual running cost	\$839 p.a. (@ \$0.30/kWh)
Refrigeration system	Electronic controlled, side mounted, integral refrigeration unit
Refrigerant	R452A / 750g
Nominal capacity	180 Watts @ -30°C SST
Insulation	60mm thick, high density cyclo-isopentane polyurethane foam
Drainage	No plumbing required

SKOPE Industries Limited reserve the right to alter specifications without notice. Copyright © 2012 SKOPE Industries Limited

PSS0295 Rev 2.3 Mar. 2021



SKOPE INDUSTRIES LIMITED

New Zealand Freephone: 0800 947 5673, Australian Freephone: 1800 121 535

Email: skope@skope.com Website: www.skope.com

