



MODULAR CRESCENT CUBER

KMD-201AB  
KMD-201AA

## PARTS LIST

[HSH] [HLP] [HS,HMS] [HE] [PHILIPPINES] [SOUTHEAST ASIA]  
[HTH] [VN] [TAIWAN] [KOREA] [HID]

F132-C101, F132-C111, F132-C121, F132-C141,  
F132-C161, F132-C171, F132-C181, F132-C151,  
F132-C002, F132-C102, F132-C112, F132-C122,  
F132-C142, F132-C173, F132-C174, F132-C175,  
F132-C176, F132-C177, F132-C271, F132-C275,  
F132-D111, F132-D121, F132-D141, F132-D161,  
F132-D171, F132-D181, F132-D151, F132-D112,  
F132-D122, F132-D142, F132-D173, F132-D174,  
F132-D175, F132-D176, F132-D177, F132-D271,  
F132-D275

J-1 MAR. 2019  
K-1 JUL. 2020  
K-2 DEC. 2020  
L-1 DEC. 2021  
M-1 APR. 2022

F132-4710 (0323)

## List of Specifications

MODEL	MODEL NUMBER	DESTINATION	SPEC
KMD-201AB	F132-C101	HSH	220-240V/50Hz
	F132-C002		220-240V/50Hz
	F132-C102	HSH	220-240V/50Hz
	F132-C111	HLP	220-240V/50Hz
	F132-C112	HLP	220-240V/50Hz
	F132-D111	HLP	220-240V/50Hz
	F132-D112	HLP	220-240V/50Hz
	F132-C121	HS,HMS	220-240V/50Hz
	F132-C122	HS,HMS	220-240V/50Hz
	F132-D121	HS,HMS	220-240V/50Hz
	F132-D122	HS,HMS	220-240V/50Hz
	F132-C141	HE	220-240V/50Hz
	F132-C142	HE	220-240V/50Hz
	F132-D141	HE	220-240V/50Hz
	F132-D142	HE	220-240V/50Hz
	F132-C161	PHILIPPINES	220-230V/60Hz
	F132-D161	PHILIPPINES	220-230V/60Hz
	F132-C171	SOUTHEAST ASIA	220-240V/50Hz
	F132-C173	HTH	220-240V/50Hz
	F132-C174	VN	220-240V/50Hz
	F132-C175	SOUTHEAST ASIA	220-240V/50Hz
	F132-C176	HTH	220-240V/50Hz
	F132-C177	VN	220-240V/50Hz
	F132-D171	SOUTHEAST ASIA	220-240V/50Hz
	F132-D173	HTH	220-240V/50Hz
	F132-D174	VN	220-240V/50Hz
	F132-D175	SOUTHEAST ASIA	220-240V/50Hz
	F132-D176	HTH	220-240V/50Hz
	F132-D177	VN	220-240V/50Hz
	F132-C181	TAIWAN	220-230V/60Hz
	F132-D181	TAIWAN	220-230V/60Hz
	F132-C271	HID	220-240V/50Hz
	F132-D271	HID	220-240V/50Hz
F132-C275	HID	220-240V/50Hz	
F132-D275	HID	220-240V/50Hz	
KMD-201AA	F132-C151	KOREA	220-240V/50Hz
	F132-D151	KOREA	220-240V/50Hz

## AUXILIARY CODE

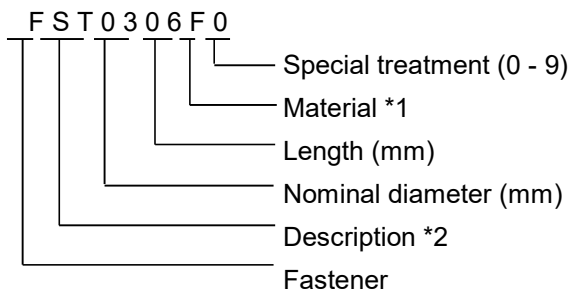
U - 1

The auxiliary code is the first two characters in the serial number. The first character indicates the production year. Years progress or regress in alphabetical order. The series of letters and skipped letters depend on UL listing, production, and model. See the auxiliary code(s) and corresponding year(s) on the front cover.

The second character indicates significant part changes within the same year. Base is "1" and this number advances for each change. If there is no significant part change at the turn of the year, this number starts from "0."

## FASTENER PART NUMBER

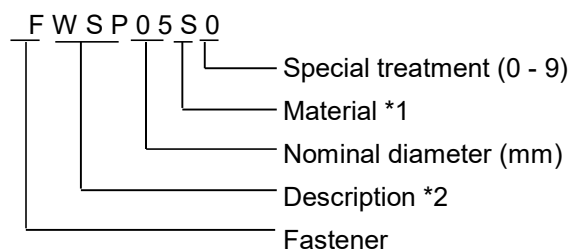
### SCREWS



\*1 Material

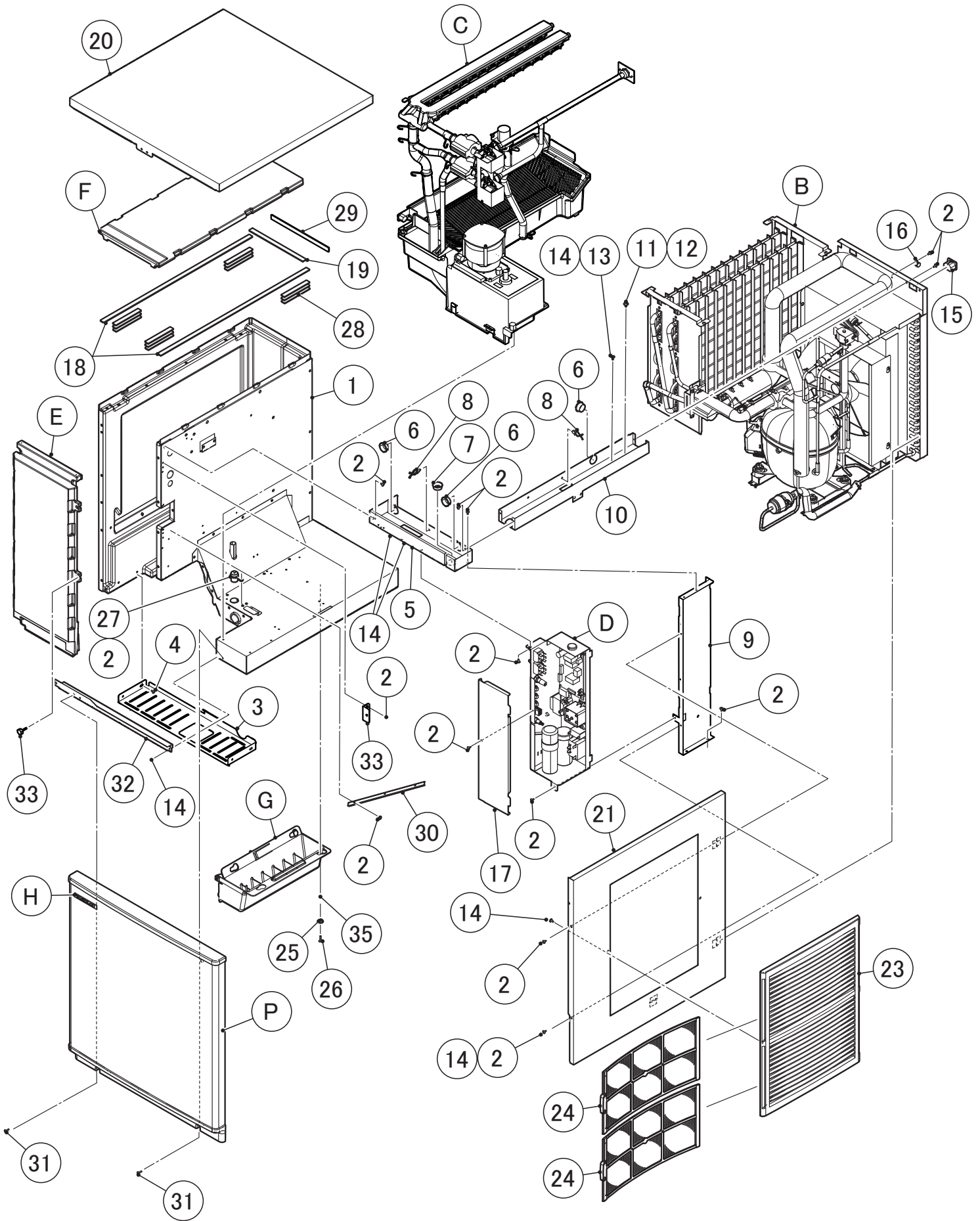
F: Steel  
S: Austenitic stainless steel  
M: Martensitic stainless steel  
B: Copper alloy  
P: Polycarbonate  
N: Polyamide  
V: PVC  
A: ABS  
X: Polyacetal  
L: Aluminum

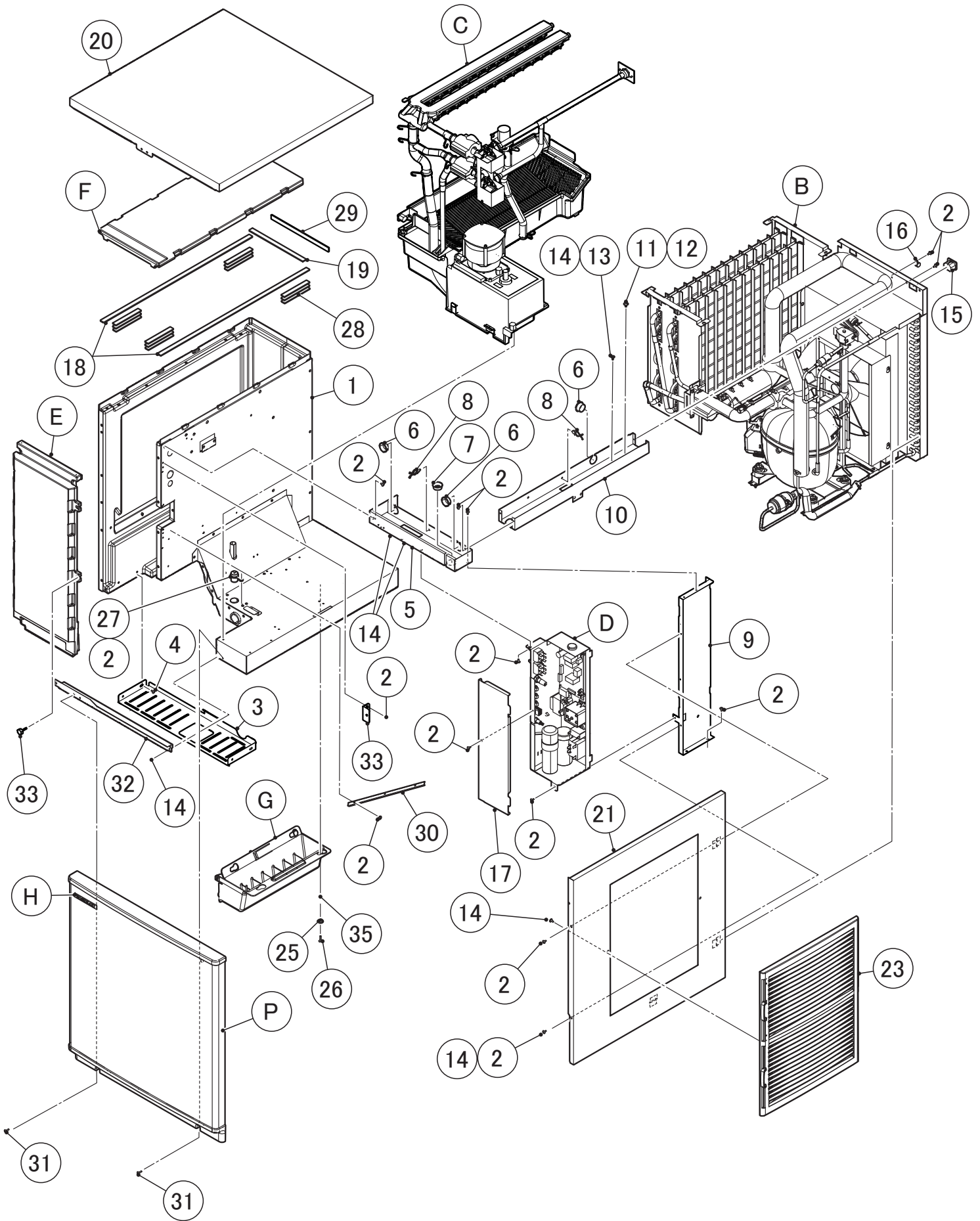
### NUTS & WASHERS



\*2 Description

First letter  
S: Machine screw  
T: Tapping screw  
M: Wood screw  
B: Bolt  
W: Washer  
N: Nut





MODEL: **KMD-201AB**

TITLE: **A. ICE CUBER ASSY**

INDEX NO.	DESCRIPTION	MATERIAL OR MODEL NUMBER	PART NUMBER	REQ'D NUMBER					
				J-1 K-1	K-2 L-0	L-1 M-0	M-1 and later		
B	REFRIGERATION CIRCUIT	F132-C111,F132-C121 F132-C141,F132-C161 F132-C171,F132-C173 F132-C174,F132-C181 F132-C271	127987A01	1	1	1	1		
		F132-C151	127987A01	1	1	1	-		
			127987001	-	-	-	1		
		F132-C101	127987A01	1	-	-	-		
		F132-C101,F132-D111 F132-D121,F132-D141 F132-D161,F132-D171 F132-D181,F132-D173 F132-D174,F132-D271	127987A02	-	1	1	1		
		F132-D151	127987A02	1	1	1	-		
			127987002	-	-	-	1		
		F132-C002,F132-C112 F132-C122,F132-C142 F132-C175,F132-C176 F132-C177,F132-C275	127987A03	-	-	-	1		
		F132-C102,F132-D112 F132-D122,F132-D142 F132-D175,F132-D176 F132-D177,F132-D275	127987A04	-	-	-	1		
		C	WATER CIRCUIT	F132-C141,F132-C151 F132-C171,F132-C173 F132-C174,F132-C142 F132-C175,F132-C176 F132-C177,F132-C271 F132-C275	127988A01	1	1	1	1
F132-C121,F132-C122	127988001			1	1	1	1		
F132-C111	127988A01			1	-	-	-		
	128668A01			-	1	1	1		
F132-C112	128668A01			-	-	-	1		
F132-C161,F132-C181	127988A02			1	1	1	1		
F132-C101	127988A01			1	-	-	-		
F132-C101,F132-D141 F132-D171,F132-D173 F132-D174,F132-C102 F132-D142,F132-D175 F132-D176,F132-D177 F132-D271,F132-D275	127988A04			-	1	1	1		
F132-D151,F132-D161 F132-D181	127988A05			-	1	1	1		
F132-D111,F132-D112	128668A02			-	1	1	1		
F132-D121,F132-D122	127988002			-	1	1	1		
F132-C002	127988A01			-	-	-	1		

MODEL: **KMD-201AB**

TITLE: **A. ICE CUBER ASSY**

INDEX NO.	DESCRIPTION	MATERIAL OR MODEL NUMBER	PART NUMBER	REQ'D NUMBER					
				J-1 K-1	K-2 L-0	L-1 M-0	M-1 and later		
D	CONTROL BOX ASSY	F132-C101,F132-C173 F132-C174,F132-D121 F132-D173,F132-D174 F132-C171,F132-C271 F132-D171,F132-D271	277677A01	1	1	1	1		
		F132-C111,F132-D111	277677A01	1	1	1	-		
			277677001	-	-	-	1		
		F132-C141,F132-D141 F132-C151,F132-D151	277677A02	1	1	1	1		
		F132-C002,F132-C102 F132-C122,F132-C175 F132-C176,F132-C177 F132-D122,F132-D175 F132-D176,F132-D177 F132-C275,F132-D275	277677A03	-	-	-	1		
		F132-C142,F132-D142	277677A04	-	-	-	1		
		F132-C112,F132-D112	277677002	-	-	-	1		
E	FRONT INSULATION ASSY		388861A01	1	1	-	-		
			388861A02	-	-	1	1		
F	TOP INSULATION ASSY		374537A01	1	1	-	-		
			374537A02	-	-	1	1		
G	BIN SWITCH		371886A01	1	1	1	1		
H	LABEL LOCATION	F132-C111,F132-D111 F132-C121,F132-D121 F132-C171,F132-D171 F132-C173,F132-D173 F132-C174,F132-D174	127989A01	1	1	1	1		
		F132-C271,F132-D271	127989002	-	-	-	1		
		F132-C161,F132-D161 F132-C181,F132-D181	127989A02	1	1	1	1		
		F132-C101	127989A03	1	1	1	1		
		F132-C141,F132-D141	127989A04	1	1	1	1		
		F132-C151,F132-D151	127989A05	1	1	1	1		
		F132-C002,F132-C112 F132-C122,F132-C175 F132-C176,F132-C177 F132-D112,F132-D122 F132-D175,F132-D176 F132-D177	127989A07	-	-	-	1		
		F132-C275,F132-D275	127989003	-	-	-	1		
		F132-C102	127989A08	-	-	-	1		
		F132-C142,F132-D142	127989A09	-	-	-	1		

MODEL: **KMD-201AB**

TITLE: **A. ICE CUBER ASSY**

INDEX NO.	DESCRIPTION	MATERIAL OR MODEL NUMBER	PART NUMBER	REQ'D NUMBER					
				J-1 K-1	K-2 L-0	L-1 M-0	M-1 and later		
L	ACCESSORIES	F132-C121,F132-D121 F132-C141,F132-D141 F132-C161,F132-D161 F132-C171,F132-D171 F132-C173,F132-D173 F132-C174,F132-D174 F132-C181,F132-D181 F132-C002,F132-C122 F132-C142,F132-C175 F132-C176,F132-C177 F132-D122,F132-D142 F132-D175,F132-D176 F132-D177,F132-C271 F132-C275,F132-D275	A03764-01	1	1	1	1		
		F132-C101,F132-C102	A03768-01	1	1	1	1		
		F132-C111,F132-D111 F132-C112,F132-D112	A03767-01	1	1	1	1		
		F132-C151,F132-D151	A03793-01	1	1	1	1		
M	OPTIONAL PARTS		OPT-F129	1	1	1	1		
P	FRONT PANEL		277051G01	1	1	1	1		
1	EVAP. CASE	F132-C121,F132-C141 F132-C161,F132-C171 F132-C173,F132-C174 F132-C181,F132-C151 F132-C271	127328G01	1	1	1	1		
		F132-C111	127328G09	1	1	1	1		
		F132-C101,F132-D121 F132-D141,F132-D151 F132-D161,F132-D171 F132-D181,F132-D173 F132-D174,F132-D271	127328G10	1	1	1	1		
		F132-D111	127328G14	-	1	1	1		
		F132-C002,F132-C122 F132-C142,F132-C175 F132-C176,F132-C177 F132-C275	127328G21	-	-	-	1		
		F132-C102,F132-D122 F132-D142,F132-D175 F132-D176,F132-D177 F132-D275	127328G22	-	-	-	1		
		F132-C112	127328G23	-	-	-	1		
		F132-D112	127328G24	-	-	-	1		



MODEL: KMD-201AB

TITLE: A. ICE CUBER ASSY

INDEX NO.	DESCRIPTION	MATERIAL OR MODEL NUMBER	PART NUMBER	REQ'D NUMBER					
				J-1 K-1	K-2 L-0	L-1 M-0	M-1 and later		
2	T2 SCREW	F132-C111,F132-C121 F132-C141,F132-C161 F132-C171,F132-C173 F132-C174,F132-C181 F132-C151,F132-C002 F132-C112,F132-C122 F132-C142,F132-C175 F132-C176,F132-C177 F132-C271,F132-C275	FT20408F0	23	23	23	23		
		F132-C101,F132-C102	FT20408F0	23	3	3	8		
		F132-D111.F132-D121 F132-D141,F132-D151 F132-D161,F132-D171 F132-D181,F132-D173 F132-D174,F132-D112 F132-D122,F132-D142 F132-D175,F132-D176 F132-D177,F132-D271 F132-D275	FT20408F0	-	8	8	8		
3	BOTTOM FRAME		275771M01	1	1	1	1		
4	T2 SCREW	4X8 SUS	FT20408M0	4	4	4	4		
5	TOP FRAME		371867M02	1	1	1	1		
6	BUSHING		428394-05	3	3	3	3		
7	BUSHING	OCB-750	428394-01	1	1	1	1		
8	WIRE RETAINER	No.249	427902-03	3	3	3	3		
9	SIDE FRAME (A)	F132-C111,F132-C121 F132-C141,F132-C151 F132-C161,F132-C171 F132-C174,F132-C181 F132-C002,F132-C112 F132-C122,F132-C142 F132-C175,F132-C177 F132-C271,F132-D275	371873M01	1	1	1	1		
		F132-C101,F132-D111 F132-D121,F132-D141 F132-D151,F132-D161 F132-D171,F132-D181 F132-D173,F132-D174 F132-C102,F132-D112 F132-D122,F132-D142 F132-D175,F132-D176 F132-D177,F132-D271 F132-D275	371873M02	1	1	1	1		
10	SIDE FRAME (B)		371866M02	1	1	1	1		
11	SPRING WASHER	SUS 5	FWSP05S0	1	1	1	1		
12	TRUSS HEAD SCREW	SUS 5X8	FST0508S0	1	1	1	1		
13	SPRING WASHER	SUS 4	FWSP04S0	1	1	1	1		

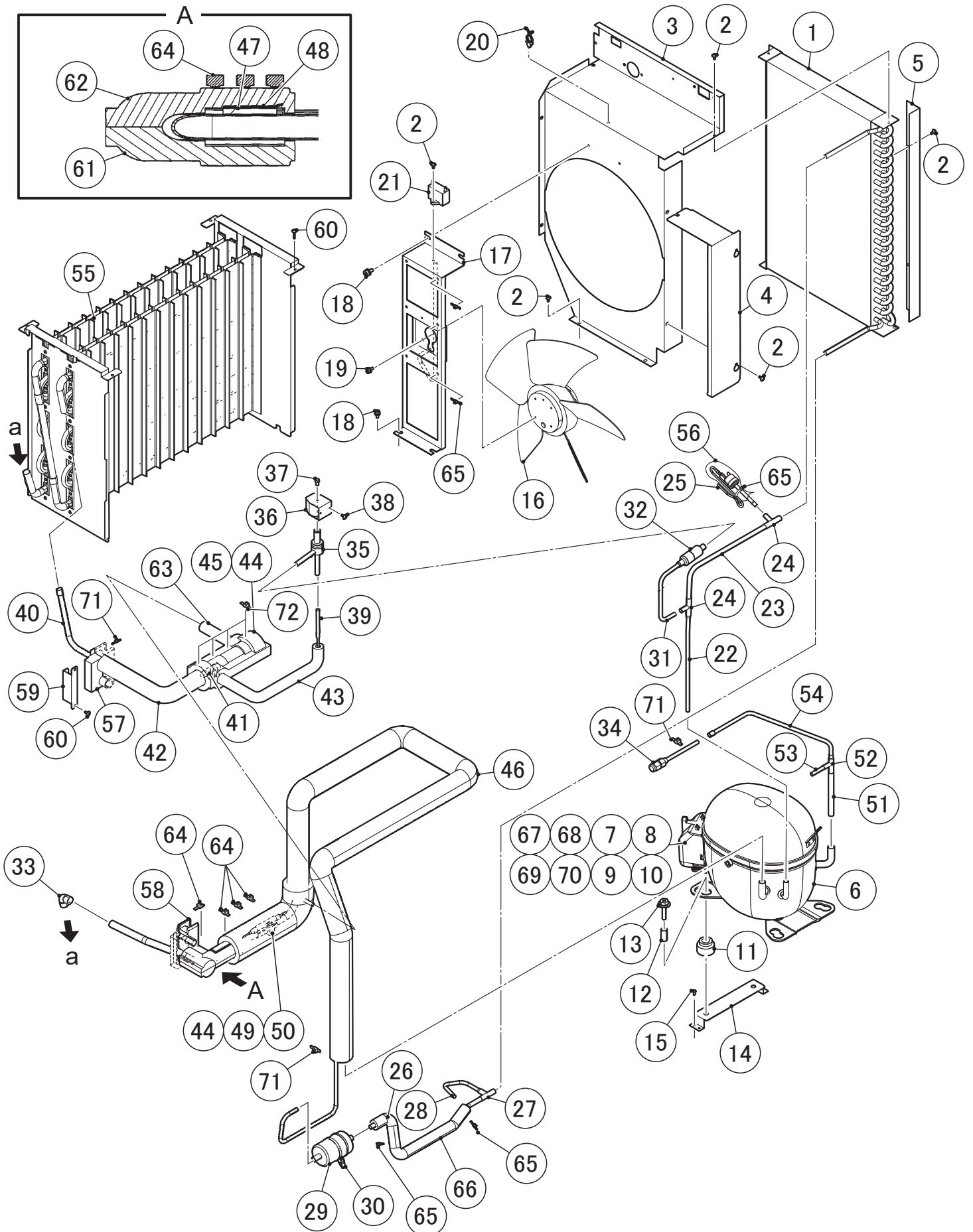
MODEL: **KMD-201AB**TITLE: **A. ICE CUBER ASSY**

INDEX NO.	DESCRIPTION	MATERIAL OR MODEL NUMBER	PART NUMBER	REQ'D NUMBER					
				J-1 K-1	K-2 L-0	L-1 M-0	M-1 and later		
14	TRUSS HEAD SCREW	F132-C111,F132-C121 F132-C141,F132-C151 F132-C161,F132-C171 F132-C173,F132-C174 F132-C181,F132-C002 F132-C112,F132-C122 F132-C142,F132-C175 F132-C176,F132-C177 F132-C271,F132-C275	FST0408S0	7	7	10	6		
		F132-C101,F132-C102	FST0408S0	7	22	25	21		
		F132-D111,F132-D121 F132-D141,F132-D151 F132-D161,F132-D171 F132-D173,F132-D181 F132-D112,F132-D122 F132-D142,F132-D175 F132-D176,F132-D177 F132-D271,F132-D275	FST0408S0	-	22	25	21		
		F132-D173,F132-D174	FST0408S0	-	25	25	21		
15	CONNECTOR		P02656-01	1	1	1	1		
16	CLAMP	NK-6N	418814-06	1	1	1	1		
17	CONT. BOX COVER		371874M01	1	1	1	1		
18	GASKET	L=572	127986Z01	2	2	2	2		
19	GASKET	L=203	127986Z02	1	1	1	1		
20	TOP PANEL		274705M01	1	1	1	1		
21	SIDE PANEL (R)		255966G05	1	1	-	-		
	SIDE PANEL (R1)		255966M09	-	-	1	1		
23	LOUVER ASSY		3C0589A01	-	-	-	1		
	LOUVER		120457P01	1	1	1	-		
	AIR FILTER		258589G01	2	2	2	-		
25	COLLAR		435269-01	4	4	4	4		
26	T2 SCREW	4X16 SUS	FT20416M0	4	4	4	4		
27	HOLE PLUG		373078R01	1	1	1	1		
28	GASKET	L=50	119591Z03	12	12	12	12		
29	GASKET	L=215	119591Z04	1	1	1	1		

MODEL: **KMD-201AB**

TITLE: **A. ICE CUBER ASSY**

INDEX NO.	DESCRIPTION	MATERIAL OR MODEL NUMBER	PART NUMBER	REQ'D NUMBER					
				J-1 K-1	K-2 L-0	L-1 M-0	M-1 and later		
30	PLATE - SIDE PANEL	F132-C111,F132-C121 F132-C141,F132-C151 F132-C161,F132-C171 F132-C173,F132-C174 F132-C181,F132-C002 F132-C112,F132-C122 F132-C142,F132-C175 F132-C176,F132-C177 F132-C271,F132-C275	379577M01	1	1	1	1		
		F132-C101	379577M01	1	-	-	-		
		F132-C101,F132-D111 F132-D121,F132-D141 F132-D151,F132-D161 F132-D171,F132-D181 F132-D173,F132-D174 F132-C102,F132-D112 F132-D122,F132-D142 F132-D175,F132-D176 F132-D177,F132-D271 F132-D275	379577M02	-	1	1	1		
31	PAN HEAD SCREW SW		FSK0412S0	3	3	3	5		
32	FRONT FRAME		388187G01	1	1	1	1		
33	BRACKET (A) - INSULATION	F132-C111,F132-C121 F132-C141,F132-C151 F132-C161,F132-C171 F132-C173,F132-C174 F132-C181,F132-C002 F132-C112,F132-C122 F132-C142,F132-C175 F132-C176,F132-C177 F132-C271,F132-C275	484783M01	2	2	2	2		
		F132-C101	484783M01	2	-	-	-		
		F132-C101,F132-D111 F132-D121,F132-D141 F132-D151,F132-D161 F132-D171,F132-D181 F132-D173,F132-D174 F132-C102,F132-D112 F132-D122,F132-D142 F132-D175,F132-D176 F132-D177,F132-D271 F132-D275	484783M02	-	2	2	2		
34	THUMB SCREW		415949G13	4	4	4	4		
35	FLAT WASHER		FWPL04S	4	4	4	4		
36	PAN HEAD MACHINE SCREW		FSK0425S0	-	-	-	2		



MODEL: **KMD-201AB**

TITLE: **B. REFRIGERATION CIRCUIT**

INDEX NO.	DESCRIPTION	MATERIAL OR MODEL NUMBER	PART NUMBER	REQ'D NUMBER					
				J-1 K-0	K-1	K-2 L-0	L-1 M-0	M-1 and later	
1	CONDENSER		P00815-01	1	1	1	1	1	
2	T2 SCREW	4X8	FT20408F0	17	17	17	17	17	
		F132-C101,F132-C102	FT20408F0	17	17	17	13	13	
		F132-D111,F132-D121 F132-D141,F132-D151 F132-D161,F132-D171 F132-D181,F132-D173 F132-D174,F132-D112 F132-D122,F132-D142 F132-D175,F132-D275 F132-D176,F132-D271 F132-D177	FT20408F0	-	-	12	13	13	
		F132-C002	FT20408F0	-	-	-	-	17	
3	SHROUD		255968M01	1	1	1	1	1	
4	FAN BLADE COVER		390094M01	1	1	1	1	1	
5	BARRIER		371872M01	1	1	1	1	1	
6	COMPRESSOR		P00835-01	1	1	1	1	1	
		F132-C002,F132-C102 F132-C112,F132-C122 F132-C142,F132-C175 F132-C275,F132-D275 F132-C176,F132-C177 F132-D112,F132-D122 F132-D142,F132-D175 F132-D176,F132-D177	P01018-01	-	-	-	-	1	
7	TERMINAL COVER	F132-C101,F132-C111 F132-C121,F132-C141 F132-C171,F132-C271 F132-C173,F132-D174 F132-C174,F132-D111 F132-D121,F132-D141 F132-D171,F132-D271 F132-D173	P02814-01	1	1	1	1	1	
8	PROTECTOR	T0817/G9 F132-C101,F132-C111 F132-C121,F132-C141 F132-C171,F132-C271 F132-C173,F132-D174 F132-C174,F132-D111 F132-D121,F132-D141 F132-D171,F132-D271 F132-D173	P00838-01	1	1	1	1	1	

MODEL: **KMD-201AB**

TITLE: **B. REFRIGERATION CIRCUIT**

INDEX NO.	DESCRIPTION	MATERIAL OR MODEL NUMBER	PART NUMBER	REQ'D NUMBER					
				J-1 K-0	K-1	K-2 L-0	L-1 M-0	M-1 and later	
9	PROTECTOR RETAINER	F132-C101,F132-C111 F132-C121,F132-C141 F132-C171,F132-C271 F132-C173,F132-D174 F132-C174,F132-D111 F132-D121,F132-D141 F132-D171,F132-D271 F132-D173	P02815-01	1	1	1	1	1	
10	SCREW	F132-C101,F132-C111 F132-C121,F132-C141 F132-C171,F132-C271 F132-C173,F132-D174 F132-C174,F132-D111 F132-D121,F132-D141 F132-D171,F132-D271 F132-D173	P00840-01	1	1	1	1	1	
11	GROMMET		P00846-01	4	4	4	4	4	
		F132-C002,F132-C102 F132-C112,F132-C122 F132-C142,F132-C175 F132-C275,F132-D275 F132-C176,F132-C177 F132-D112,F132-D122 F132-D142,F132-D175 F132-D176,F132-D177	450897-01	-	-	-	-	4	
12	SPACER	F132-C101,F132-C111 F132-C121,F132-C141 F132-C171,F132-C271 F132-C173,F132-D174 F132-C174,F132-D111 F132-D121,F132-D141 F132-D171,F132-D271 F132-D173	P00847-01	4	4	4	4	4	
13	BOLT	M8X35	436206-03	4	4	4	4	4	
		F132-C102,F132-C112 F132-C122,F132-C142 F132-C175,F132-C275 F132-C176,F132-D177 F132-C177,F132-D112 F132-D122,F132-D142 F132-D175,F132-D275 F132-D176	C05825-01	-	-	-	-	2	

MODEL: **KMD-201AB**TITLE: **B. REFRIGERATION CIRCUIT**

INDEX NO.	DESCRIPTION	MATERIAL OR MODEL NUMBER	PART NUMBER	REQ'D NUMBER					
				J-1 K-0	K-1	K-2 L-0	L-1 M-0	M-1 and later	
14	COMP. MOUNT	F132-C111,F132-C121 F132-C173,F132-C174	371868G01	2	2	2	2	2	
		F132-C101,F132-D111 F132-D121,F132-D141 F132-D171,F132-D271 F132-D174	371868G02	2	2	2	2	2	
		F132-C002,F132-C112 F132-C122,F132-C142 F132-C175,F132-C275 F132-C176,F132-C177	374036G01	-	-	-	-	1	
		F132-C102,F132-D112 F132-D122,F132-D142 F132-D175,F132-D275 F132-D176,F132-D177	374036G02	-	-	-	-	1	
15	POP RIVET	SSD43SSBS	7170-0005	8	8	8	8	8	
16	FAN MOTOR	A4E300-AE20-06	P00848-01	1	-	-	-	-	
		A4E300-AU20-08 F132-C151,F132-D151	P02595-01	-	1	1	1	1	
		F132-C101,F132-C111 F132-C121,F132-C141 F132-C161,F132-C171 F132-C271,F132-D173 F132-C173,F132-C174 F132-C181,F132-D111 F132-D121,F132-D141 F132-D161,F132-D171 F132-D271 F132-D181 F132-D174,F132-C002 F132-C102,F132-C112 F132-C122,F132-C142 F132-C175,F132-C275 F132-C176,F132-D177 F132-C177,F132-D112 F132-D122,F132-D142 F132-D175,F132-D275 F132-D176	P02595-01	-	1	1	1	-	
	P06054-01	-	-	-	-	1			
17	FAN MOTOR BRACKET		371870G01	1	-	-	-	-	
			391482G01	-	1	1	1	1	
18	HEX HEAD BOLT W/WASHER [SW]	5X10 SUS	FBK0510S0	4	4	4	4	4	
19	HEX HEAD BOLT W/WASHER [SW]	4X8 SUS	FBK0408S0	3	3	3	3	3	
20	CLAMP	No. 249	427902-03	1	1	1	1	1	

MODEL: **KMD-201AB**

TITLE: **B. REFRIGERATION CIRCUIT**

INDEX NO.	DESCRIPTION	MATERIAL OR MODEL NUMBER	PART NUMBER	REQ'D NUMBER					
				J-1 K-0	K-1	K-2 L-0	L-1 M-0	M-1 and later	
21	CAPACITOR	CMPS40B155UWF F132-C151,F132-D151	P00849-01	1	1	1	1	1	
		F132-C101,F132-C111 F132-C121,F132-C141 F132-C161,F132-C171 F132-C271,F132-D173 F132-C173,F132-C174 F132-C181,F132-D111 F132-D121,F132-D141 F132-D161,F132-D171 F132-D271 F132-D181	P00849-01	1	1	1	1	-	
		F132-D174,F132-C002 F132-C102,F132-C112 F132-C122,F132-C142 F132-C175,F132-C275 F132-C176,F132-D177 F132-C177,F132-D112 F132-D122,F132-D142 F132-D175,F132-D275	P01865-01	-	-	-	-	1	
22	COPPER TUBE (A1) - HIGH SIDE	COPPER TUBE (A) - HIGH SIDE 371884G01	371884M01	1	1	1	1	1	
		COPPER TUBE (A) - HIGH SIDE 374037G01 F132-C002,F132-C102 F132-C112,F132-C122 F132-C142,F132-C175 F132-C275,F132-D275 F132-C176,F132-C177 F132-D112,F132-D122 F132-D142,F132-D175 F132-D176,F132-D177	374140M01	-	-	-	-	1	
23	COPPER TUBE (A2) - HIGH SIDE	COPPER TUBE (A) - HIGH SIDE 371884G01	371884M02	1	1	1	1	1	
		COPPER TUBE (A) - HIGH SIDE 374037G01 F132-C002,F132-C102 F132-C112,F132-C122 F132-C142,F132-C175 F132-C275,F132-D275 F132-C176,F132-C177 F132-D112,F132-D122 F132-D142,F132-D175 F132-D176,F132-D177	374037M01	-	-	-	-	1	



MODEL: **KMD-201AB**TITLE: **B. REFRIGERATION CIRCUIT**

INDEX NO.	DESCRIPTION	MATERIAL OR MODEL NUMBER	PART NUMBER	REQ'D NUMBER					
				J-1 K-0	K-1	K-2 L-0	L-1 M-0	M-1 and later	
24	TEE	COPPER TUBE (A) - HIGH SIDE 371884G01	420041-02	2	2	2	2	2	
25	PRESSURE SWITCH		P05220-04	1	1	1	1	1	
26	COPPER TUBE (B1) - HIGH SIDE	COPPER TUBE (B) - HIGH SIDE 255971G01	255971M01	1	1	1	1	1	
27	TEE	COPPER TUBE (B) - HIGH SIDE 255971G01	420041-11	1	1	1	1	1	
28	COPPER TUBE (B2) - HIGH SIDE	COPPER TUBE (B) - HIGH SIDE 255971G01	255971M03	1	1	1	1	1	
29	DRIER	DML032S	P02070-01	1	1	1	-	-	
			P05348-01	-	-	-	1	1	
30	PUSH MOUNT TIE	T50RSF	436156-02	1	1	1	1	1	
31	COPPER TUBE (D1) - HIGH SIDE	COPPER TUBE (D) - HIGH SIDE 374039G02	374039M03	1	1	1	1	1	
		COPPER TUBE (A) - HIGH SIDE 374039G01 F132-C002,F132-C102 F132-C112,F132-C122 F132-C142,F132-C175 F132-C275,F132-D275 F132-C176,F132-C177 F132-D112,F132-D122 F132-D142,F132-D175 F132-D176,F132-D177	374039M01	-	-	-	-	1	
32	STRAINER	COPPER TUBE (D) - HIGH SIDE 374039G02	P00812-01	1	1	1	1	1	
33	ELBOW		417395-03	1	1	1	1	1	
34	ACCESS VALVE	TCJ-2GSHS-2	457729-01	1	1	1	1	1	
35	VALVE BODY	ATS-B7SHDU-2	4A3978-01	1	1	1	1	1	
36	COIL-VALVE	AMS-C23HD-5	P00810-01	1	1	1	-	-	
	HOT GAS VALVE COIL-HARNESS		3C0335G01	-	-	-	1	1	
37	BOLT	M4X8	P00811-01	1	1	1	1	1	

MODEL: **KMD-201AB**

TITLE: **B. REFRIGERATION CIRCUIT**

INDEX NO.	DESCRIPTION	MATERIAL OR MODEL NUMBER	PART NUMBER	REQ'D NUMBER					
				J-1 K-0	K-1	K-2 L-0	L-1 M-0	M-1 and later	
38	TRUSS HEAD SCREW	4X8 SUS	FST0408S0	2	2	2	2	2	
		F132-C101,F132-C102	FST0408S0	2	2	4	8	8	
		F132-D111,F132-D121 F132-D141,F132-D151 F132-D161,F132-D171 F132-D271,F132-D177 F132-D181,F132-D173 F132-D174,F132-D112 F132-D122,F132-D142 F132-D175,F132-D275 F132-D176	FST0408S0	-	-	9	8	8	
		F132-C002	FST0408S0	-	-	-	-	2	
39	COPPER TUBE (E1) - HOT GAS	COPPER TUBE (E) - HOT GAS 388846G04	389321G01	1	1	1	1	1	
40	COPPER TUBE (E2) - HOT GAS	COPPER TUBE (E) - HOT GAS 388846G04	388845M01	1	1	1	1	1	
41	TEE	COPPER TUBE (E) - HOT GAS 388846G04	420335-01	1	1	1	1	1	
42	INSULATION TUBE	COPPER TUBE (E) - HOT GAS L=300	H71030300	1	1	1	1	1	
43	INSULATION TUBE	COPPER TUBE (E) - HOT GAS L=360	H71020360	1	1	1	1	1	
44	EXP. VALVE		4A1414-02	1	1	1	1	1	
45	EXPANSION VALVE COVER		3A0944-01	1	1	1	1	1	
46	HEAT EXCHANGER		276950G01	1	1	1	1	1	
		F132-C002,F132-C102 F132-C112,F132-C122 F132-C142,F132-C175 F132-C275,F132-D275 F132-C176,F132-C177 F132-D112,F132-D122 F132-D142,F132-D175 F132-D176,F132-D177	258736G01	-	-	-	-	1	

MODEL: **KMD-201AB**TITLE: **B. REFRIGERATION CIRCUIT**

INDEX NO.	DESCRIPTION	MATERIAL OR MODEL NUMBER	PART NUMBER	REQ'D NUMBER					
				J-1 K-0	K-1	K-2 L-0	L-1 M-0	M-1 and later	
47	THERMISTOR	NBFC-36-H60-1	P00027-01	1	1	1	1	1	
48	HOLDER - THERMISTOR		427430-01	1	1	1	1	1	
49	HOLDER - EXP. VALVE 3/8		3C0058M01	1	1	1	1	1	
50	CLAMP		443461-02	1	1	1	1	1	
51	COPPER TUBE (F1) - ACCESS VALVE	COPPER TUBE (F) - ACCESS VALVE 371877G01	371877M01	1	1	1	1	1	
		COPPER TUBE (F) - ACCESS VALVE 374038G01 F132-C002,F132-C102 F132-C112,F132-C122 F132-C142,F132-C175 F132-C275,F132-D275 F132-C176,F132-C177 F132-D112,F132-D122 F132-D142,F132-D175 F132-D176,F132-D177	374038M01	-	-	-	-	1	
52	TEE	COPPER TUBE (F) - ACCESS VALVE 371877G01	417394-01	1	1	1	1	1	
53	COPPER TUBE (F2) - ACCESS VALVE	COPPER TUBE (F) - ACCESS VALVE 371877G01	371877M03	1	1	1	1	1	
		COPPER TUBE (A) - HIGH SIDE 374038G01 F132-C002,F132-C102 F132-C112,F132-C122 F132-C142,F132-C175 F132-C275,F132-D275 F132-C176,F132-C177 F132-D112,F132-D122 F132-D142,F132-D175 F132-D176,F132-D177	374038M02	-	-	-	-	1	
54	COPPER TUBE (F3) - ACCESS VALVE	COPPER TUBE (F) - ACCESS VALVE 371877G01 F132-C101,F132-C111 F132-C121,F132-C141 F132-C171,F132-C271 F132-C173,F132-D174 F132-C174,F132-D111 F132-D121,F132-D141 F132-D171,F132-D271 F132-D173	371877M04	1	1	1	1	1	

MODEL: **KMD-201AB**

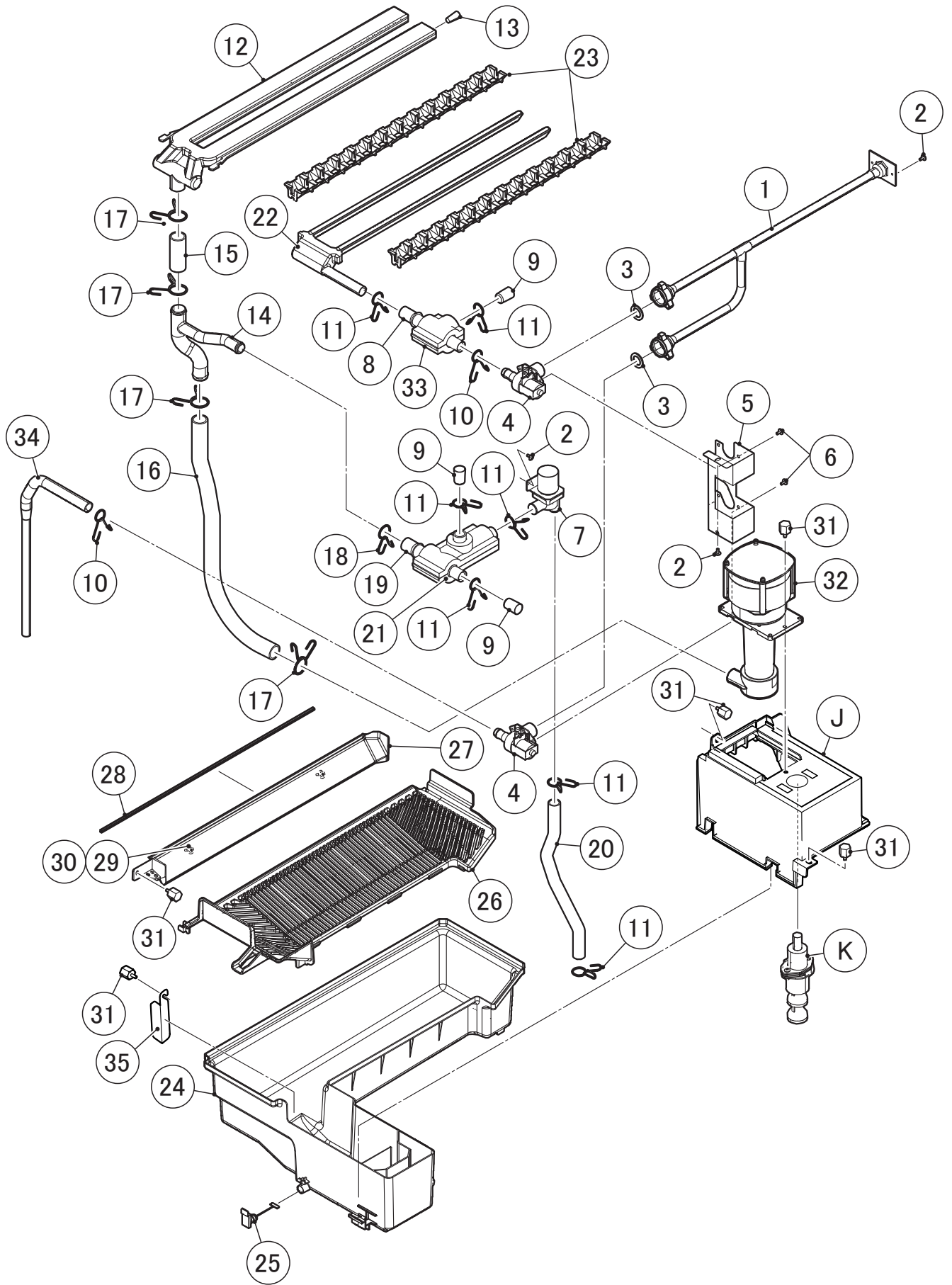
TITLE: **B. REFRIGERATION CIRCUIT**

INDEX NO.	DESCRIPTION	MATERIAL OR MODEL NUMBER	PART NUMBER	REQ'D NUMBER					
				J-1 K-0	K-1	K-2 L-0	L-1 M-0	M-1 and later	
55	EVAPORATOR ASSY		276955G01	1	1	1	1	1	
56	BAG		485815P01	1	1	1	1	1	
57	RUBBER INSULATION (B)		3C0066R01	1	1	1	1	1	
58	RUBBER INSULATION (A)		3C0067R01	1	1	1	1	1	
59	INSULATION HOLDER		473043M01	1	1	1	1	1	
60	T2 SCREW	F132-C101	FT20416M0	6	6	4	4	4	
		F132-D111,F132-D121 F132-D141,F132-D151 F132-D161,F132-D171 F132-D271,F132-D275 F132-D181,F132-D173 F132-D174,F132-C102 F132-D112,F132-D122 F132-D142,F132-D175 F132-D176,F132-D177	FT20416M0	-	-	4	4	4	
		F132-C002	FT20408M0	-	-	-	-	2	
			FT20416M0	-	-	-	-	4	
		F132-C111,F132-C112 F132-C121,F132-C122 F132-C141,F132-C142 F132-C151,F132-C161 F132-C171,F132-C271 F132-C173,F132-C181 F132-C174,F132-C175 F132-C275,F132-C177 F132-C176	FT20408M0	6	6	6	6	2	
			FT20416M0	-	-	-	-	4	
61	INSULATION - THERMISTOR (A)		439368-01	1	1	1	1	1	
62	INSULATION - THERMISTOR (B)		439368-02	1	1	1	1	1	
63	INSULATION TUBE	L=90	7762-1020	1	1	1	1	1	
64	TIE	CV-200	7920-0010	13	13	13	13	11	
65	TIE	CV-100	7920-0002	7	7	7	7	5	
66	INSULATION TUBE	L=300	H71020300	1	1	1	1	1	
67	COVER	F132-C002,F132-C102 F132-C112,F132-C122 F132-C142,F132-C175 F132-C275,F132-D275 F132-C176,F132-C177 F132-D112,F132-D122 F132-D142,F132-D175 F132-D176,F132-D177	459924-01	-	-	-	-	1	

MODEL: **KMD-201AB**

TITLE: **B. REFRIGERATION CIRCUIT**

INDEX NO.	DESCRIPTION	MATERIAL OR MODEL NUMBER	PART NUMBER	REQ'D NUMBER					
				J-1 K-0	K-1	K-2 L-0	L-1 M-0	M-1 and later	
68	STARTING RELAY	F132-C002,F132-C102 F132-C112,F132-C122 F132-C142,F132-C175 F132-C275,F132-D275 F132-C176,F132-C177 F132-D112,F132-D122 F132-D142,F132-D175 F132-D176,F132-D177	452237-01	-	-	-	-	1	
69	START CAPACITOR	F132-C002,F132-C102 F132-C112,F132-C122 F132-C142,F132-C175 F132-C275,F132-D275 F132-C176,F132-C177 F132-D112,F132-D122 F132-D142,F132-D175 F132-D176,F132-D177	456350-01	-	-	-	-	1	
70	CORD RELIEF	F132-C002,F132-C102 F132-C112,F132-C122 F132-C142,F132-C175 F132-C275,F132-D275 F132-C176,F132-C177 F132-D112,F132-D122 F132-D142,F132-D175 F132-D176,F132-D177	452239-01	-	-	-	-	1	
71	TIE	CV-150	7920-0003	-	-	-	-	3	
72	NYLON TIE	CV-250	7920-0011	-	-	-	-	-	



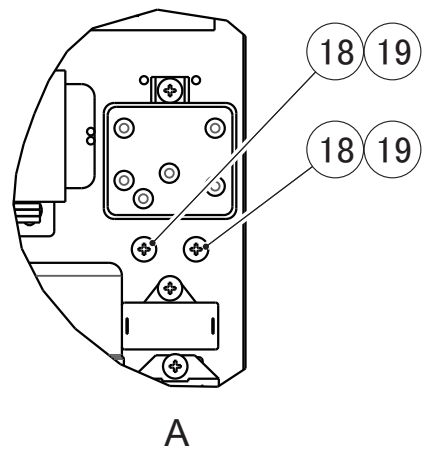
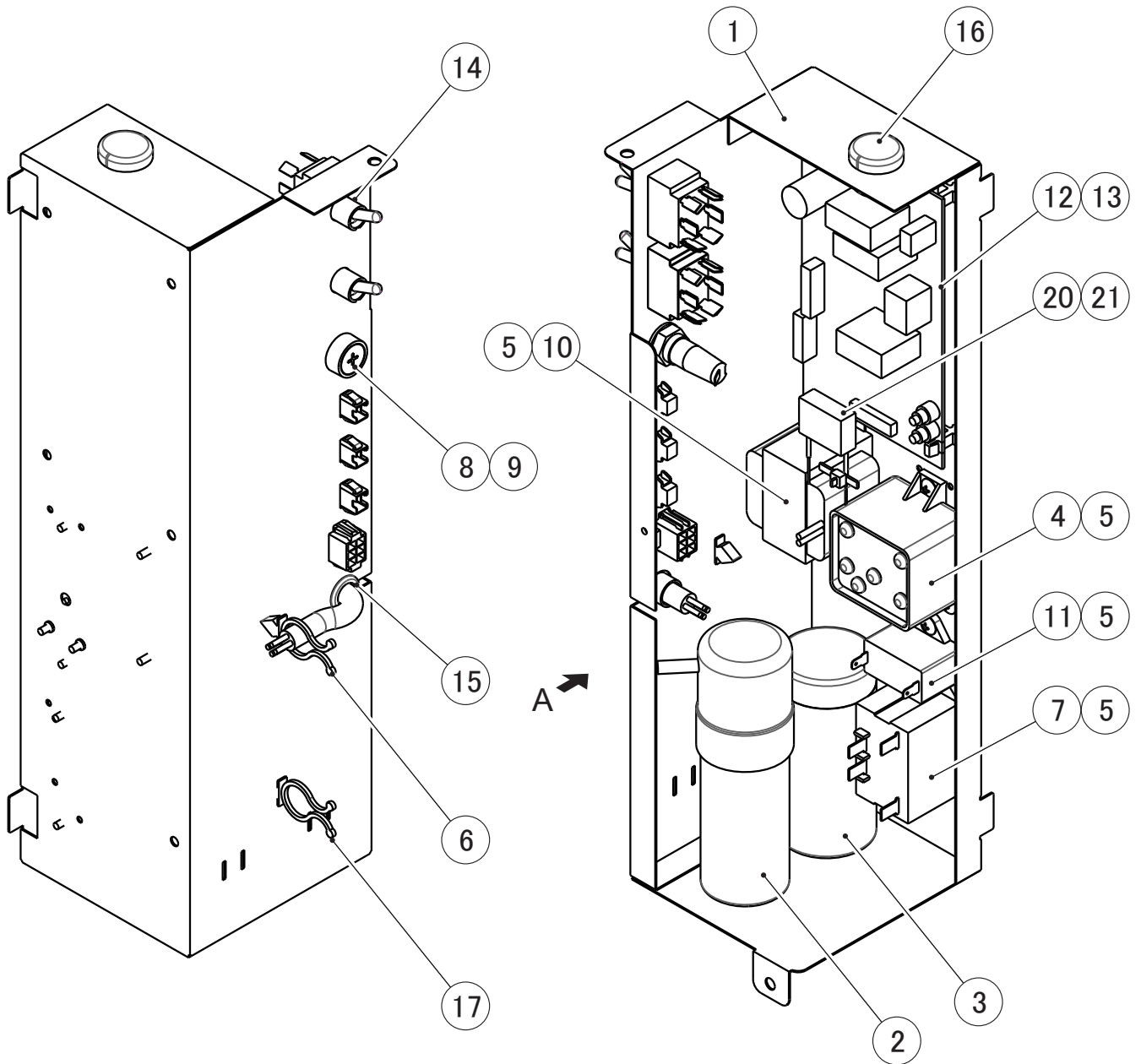
MODEL: **KMD-201AB**TITLE: **C. WATER CIRCUIT ASSY**

INDEX NO.	DESCRIPTION	MATERIAL OR MODEL NUMBER	PART NUMBER	REQ'D NUMBER					
				J-1 K-1	K-2 L-0	L-1 and later			
J	PUMP BRACKET ASSY		388856A01	1	1	-			
			388856A02	-	-	1			
K	FLOAT SW. ASSY		389075A02	1	1	1			
1	WATER SUPPLY PIPE		371882G02	1	1	1			
2	T2 SCREW	4X8	FT20408F0	5	5	5			
		F132-C101,F132-C102	FT20408F0	5	3	3			
		F132-D111,F132-D121 F132-D141,F132-D151 F132-D161,F132-D171 F132-D271,F132-D177 F131-D181,F132-D173 F132-D174,F132-D112 F132-D122,F132-D142 F132-D175,F132-D275 F132-D176	FT20408F0	-	3	3			
		F132-C002	FT20408F0	-	-	5			
3	RUBBER GASKET		413854-03	2	2	2			
4	WATER VALVE		P00806-01	2	2	2			
		F132-C121,F132-D121 F132-C122,F132-D122	P04934-01	2	2	2			
5	WATER VALVE BRACKET		371875G02	1	1	1			
6	TRUSS HEAD SCREW	4X8 SUS	FST0408S0	4	4	4			
		F132-C101,F132-C102	FST0408S0	4	6	6			
		F132-D111,F132-D121 F132-D141,F132-D151 F132-D161,F132-D171 F132-D271,F132-D177 F132-D181,F132-D173 F132-D174,F132-D112 F132-D122,F132-D142 F132-D175,F132-D275 F132-D176	FST0408S0	-	6	6			
		F132-C002	FST0408S0	-	-	4			
7	SOLENOID VALVE	FDC-90-02-220	P00018-01	1	1	-			
	DRAIN VALVE (G)		3C0350G01	-	-	1			
8	TEE		371167R01	1	1	1			
9	PLUG		472567P01	3	3	3			
10	HOSE CLAMP	16.5mm SUS	P02909-04	2	2	2			

MODEL: **KMD-201AB**TITLE: **C. WATER CIRCUIT ASSY**

INDEX NO.	DESCRIPTION	MATERIAL OR MODEL NUMBER	PART NUMBER	REQ'D NUMBER					
				J-1 K-1	K-2 L-0	L-1 and later			
11	HOSE CLAMP	18mm SUS	P02909-05	7	6	6			
12	SPRAY TUBE		127382P01	1	1	1			
13	PLUG		4A0176-01	2	2	2			
14	CONNECTING PIPE		388309P01	1	1	1			
15	SILICONE HOSE	φ20Xφ25(CLEAR)L=60	H12025060	1	1	1			
16	SILICONE HOSE	φ20Xφ25(CLEAR)L=465	H12025465	1	1	1			
17	HOSE CLAMP	24mm SUS	C06092-01	4	4	4			
18	HOSE CLAMP	20mm SUS	P02909-06	1	2	2			
19	BYPASS HOSE		371165R01	1	1	1			
20	SILICONE HOSE	φ15Xφ19(CLEAR)L=340	H11519340	1	1	1			
21	BYPASS INSULATION		371169Z01	1	1	1			
22	WATER SUPPLY TUBE		276018P01	1	1	1			
23	SPRAY GUIDE		252052P03	2	2	2			
24	WATER TANK		127337P01	1	1	1			
25	DRAIN CAP		371168G01	1	1	1			
26	CUBE GUIDE		118904P01	1	1	1			
27	DEFLECTOR (L)		255250P01	1	1	1			
28	GASKET		371166R01	1	1	1			
29	COLLAR		435269-01	2	2	2			
30	T2 SCREW	4X16 SUS	FT20416M0	2	2	2			
31	THUMBSCREW		415949G12	4	4	5			
32	PUMP MOTOR	50Hz	391580G01	1	1	1			
		60Hz	391581G01	1	1	1			
33	INLET INSULATION		373079Z01	1	1	1			
34	WATER SUPPLY PIPE (B)		484865P01	1	1	1			
35	BARRIER - KMD	Except F132-C111,F132-C112 F132-D111,F132-D112	487742M01	-	-	1			





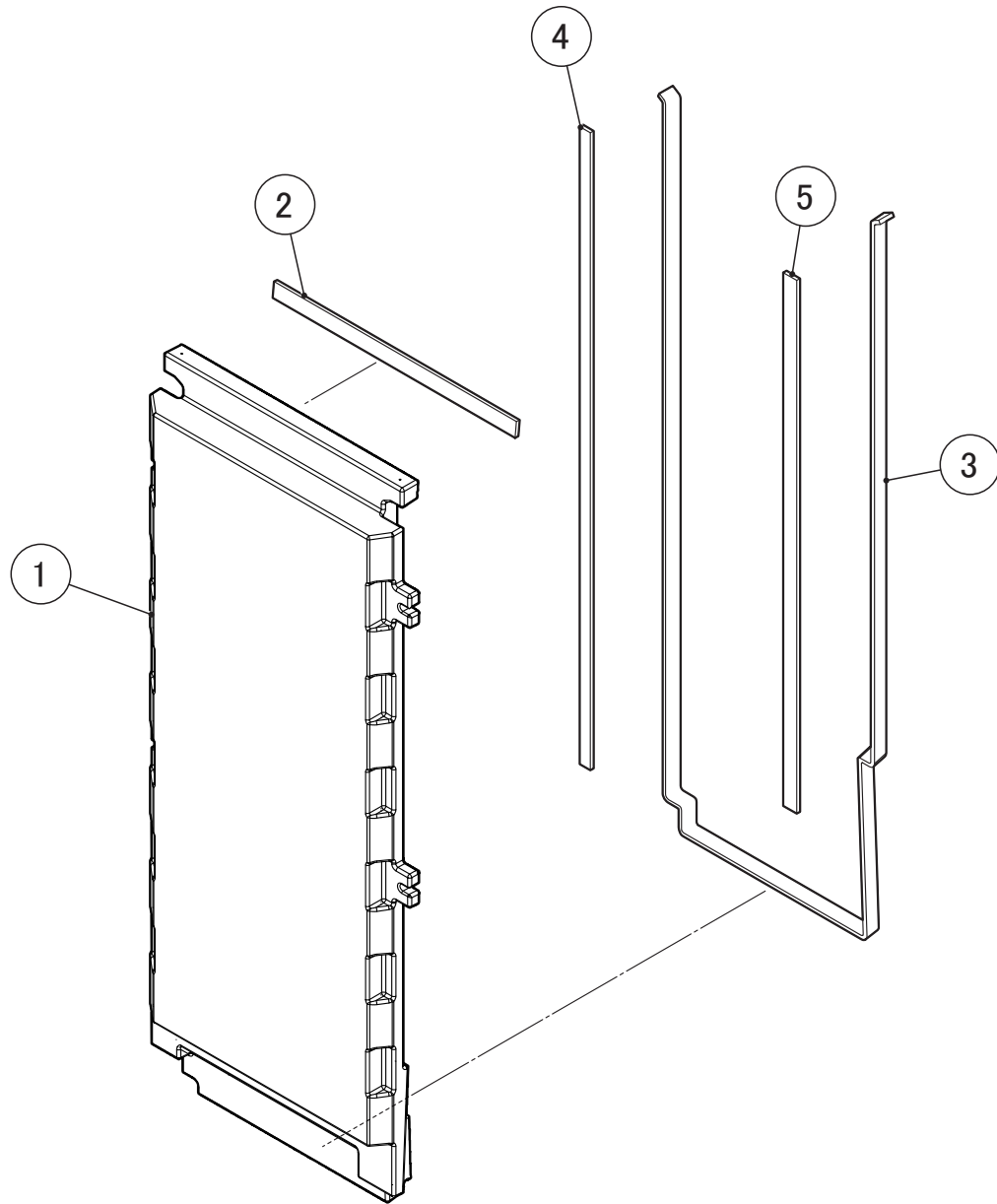
MODEL: **KMD-201AB**TITLE: **D. CONTROL BOX ASSY**

INDEX NO.	DESCRIPTION	MATERIAL OR MODEL NUMBER	PART NUMBER	REQ'D NUMBER					
				J-1 L-0	L-1 and later				
1	CONTROL BOX		274706M01	1	1				
2	RUN CAPACITOR	F132-C101,F132-C111 F132-C121,F132-C171 F132-C271,F132-D271 F132-C173,F132-C174 F132-D111,F132-D121 F132-D141,F132-D171 F132-D173,F132-D174	P02145-01	1	1				
3	START CAPACITOR	F132-C101,F132-C111 F132-C121,F132-C171 F132-C271,F132-D271 F132-C173,F132-C174 F132-D111,F132-D121 F132-D141,F132-D171 F132-D173,F132-D174	P00844-01	1	1				
4	STARTER	F132-C101,F132-C111 F132-C121,F132-C171 F132-C271,F132-D271 F132-C173,F132-C174 F132-D111,F132-D121 F132-D141,F132-D171 F132-D173,F132-D174	P00842-01	1	1				
5	T2 TRUSS HEAD SCREW		FT20408F0	6	6				
		F132-C002,F132-C102 F132-C112,F132-C122 F132-C142,F132-C175 F132-C275,F132-D275 F132-C176,F132-C177 F132-D112,F132-D122 F132-D142,F132-D175 F132-D176,F132-D177	FT20408F0	-	5				
6	WIRE KIT	F132-C101,F132-C111 F132-C121,F132-C171 F132-C271,F132-D271 F132-C173,F132-C174 F132-D111,F132-D121 F132-D141,F132-D171 F132-D173,F132-D174	P00845-01	1	1				
7	POWER RELAY		P00034-01	1	1				
8	FUSE HOLDER		P00014-01	1	1				
9	FUSE		P00015-01	1	1				
10	TRANSFORMER		P00012-01	1	1				
11	CAPACITOR		P00850-01	1	1				
12	CONTROLLER BOARD		P01771-02	1	1				
13	BOARD SUPPORT		P01770-01	4	4				

MODEL: **KMD-201AB**

TITLE: **D. CONTROL BOX ASSY**

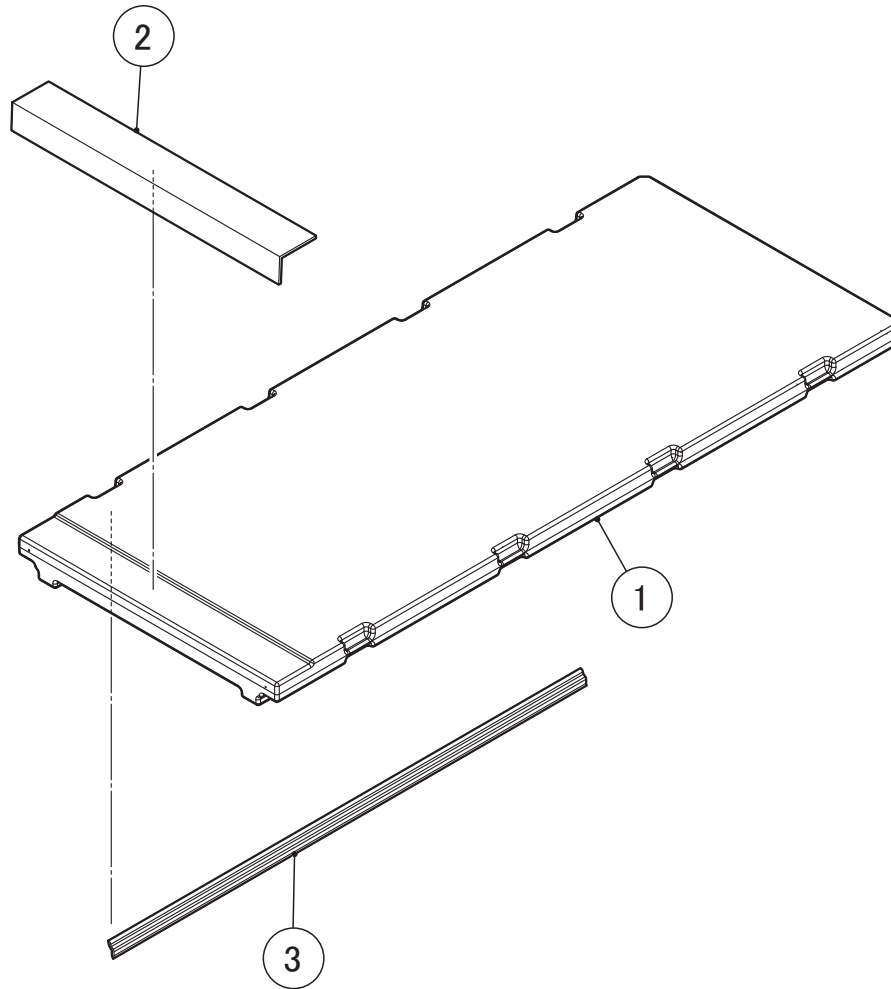
INDEX NO.	DESCRIPTION	MATERIAL OR MODEL NUMBER	PART NUMBER	REQ'D NUMBER					
				J-1 L-0	L-1 and later				
14	TOGGLE SWTICH		P05888-01	2	2				
		F132-C141,F132-D141 F132-C142,F132-D142 F132-C151,F132-D151	P01206-01	2	2				
15	BUSHING		428394-03	1	1				
16	BUSHING		420472-05	1	1				
17	WIRE RETAINER		427902-05	2	2				
18	SPRING WASHER		FWSP04S0	2	2				
19	TRUSS HEAD SCREW		FST0408S0	2	2				
20	CAPACITOR		P00228-01	1	1				
21	TIE		7920-0003	1	1				



MODEL: **KMD-201AB**

TITLE: **E. FRONT INSULATION ASSY**

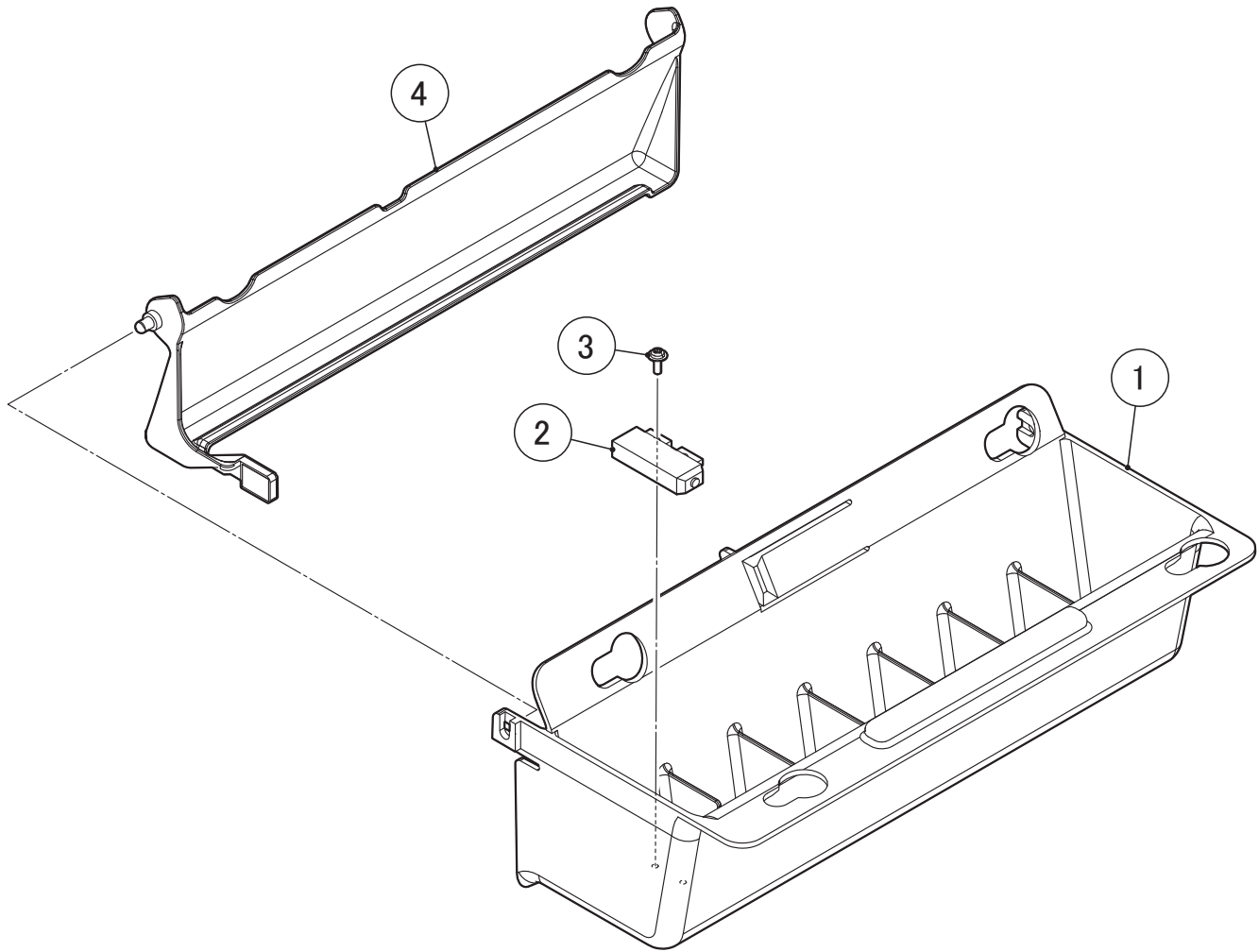
INDEX NO.	DESCRIPTION	MATERIAL OR MODEL NUMBER	PART NUMBER	REQ'D NUMBER					
				J-1 L-0	L-1 and later				
1	FRONT INSULATION		275773G01	1	1				
2	GASKET	L=228	388861Z06	1	1				
3	GASKET	L=1385	388861Z07	1	1				
4	GASKET	L=530	388861Z08	1	1				
5	GASKET	L=440	388861Z09	1	1				



MODEL: **KMD-201AB**

TITLE: **F.TOP INSULATION ASSY**

INDEX NO.	DESCRIPTION	MATERIAL OR MODEL NUMBER	PART NUMBER	REQ'D NUMBER					
				J-1 L-0	L-1 and later				
1	TOP INSULATION		255254G01	1	1				
2	INSULATION		473041Z01	1	1				
3	GASKET	L=415	374537Z04	1	1				

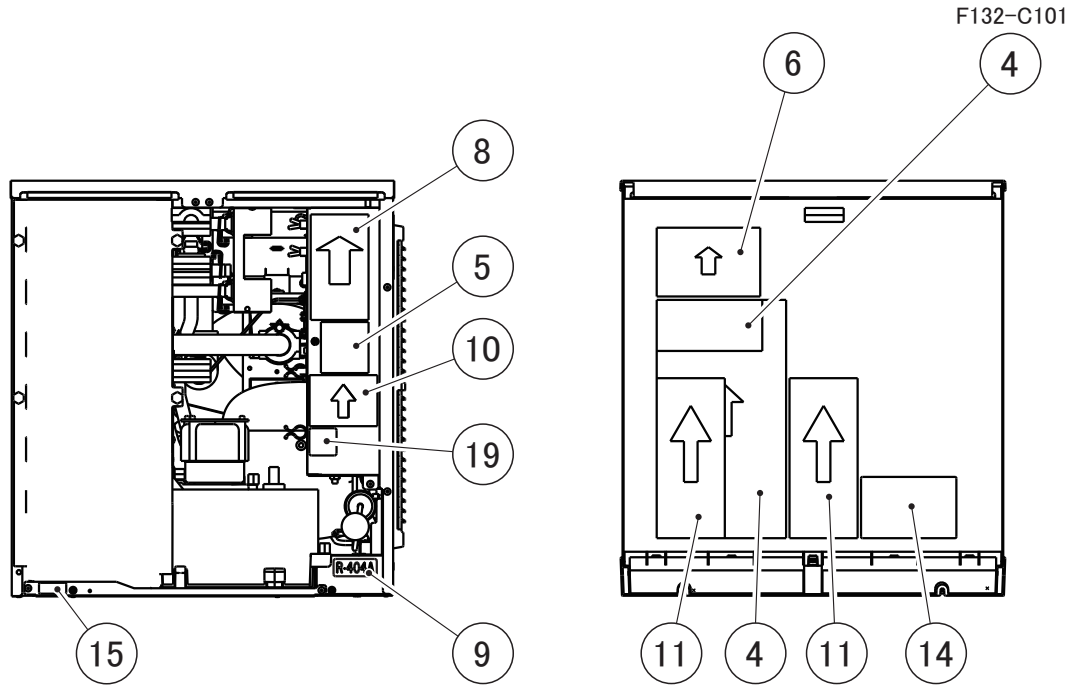




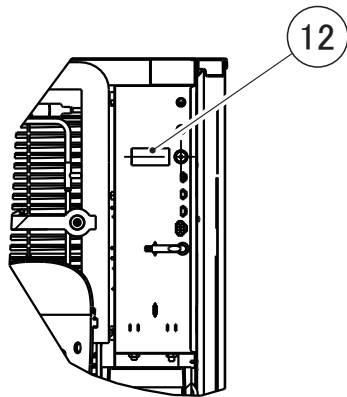
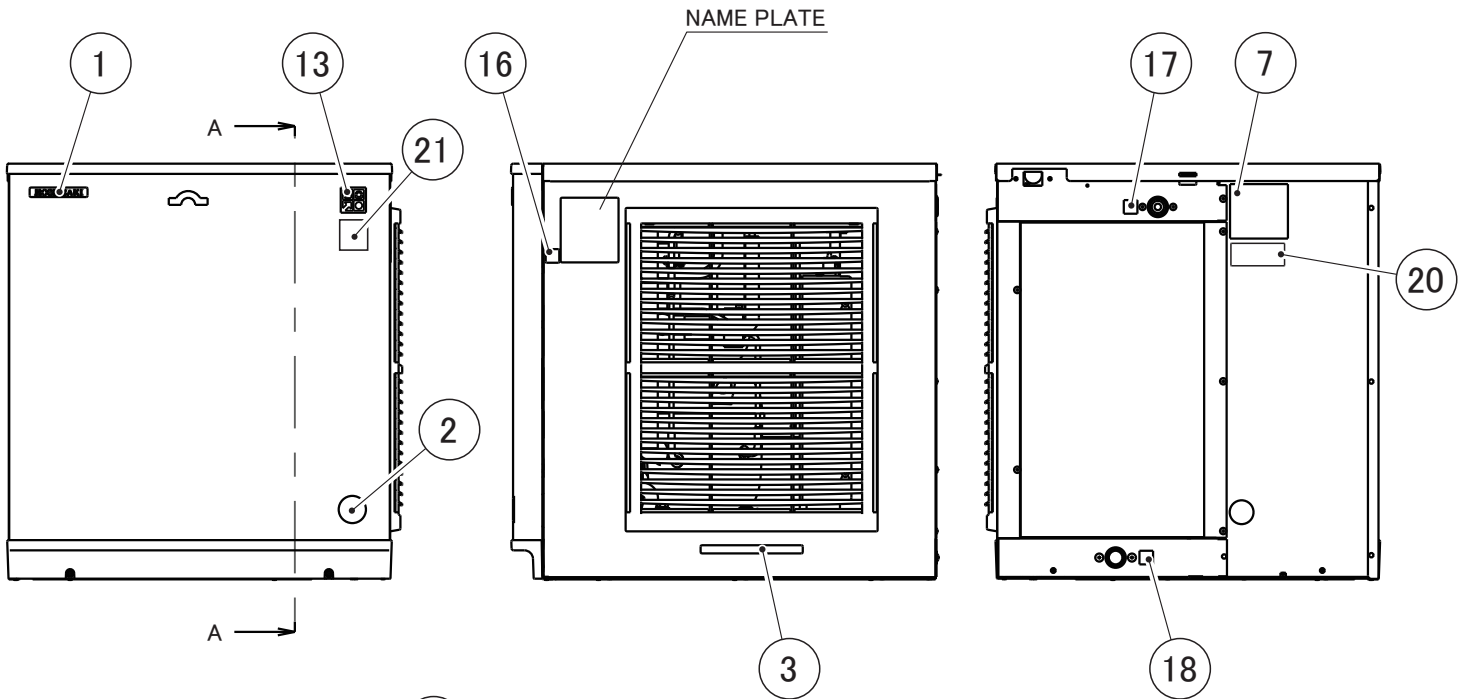
MODEL: **KMD-201AB**

TITLE: **G. BIN SWITCH**

INDEX NO.	DESCRIPTION	MATERIAL OR MODEL NUMBER	PART NUMBER	REQ'D NUMBER					
				J-1 L-0	L-1 and later				
1	SWITCH HOUSING		255248P01	1	1				
2	REED SWITCH	PS-0074-601	453861-04	1	1				
3	TAPPING SCREW	3X8	431415-03	2	2				
4	DETECTOR		371158G01	1	1				



F132-C101



A-A

MODEL: **KMD-201AB**

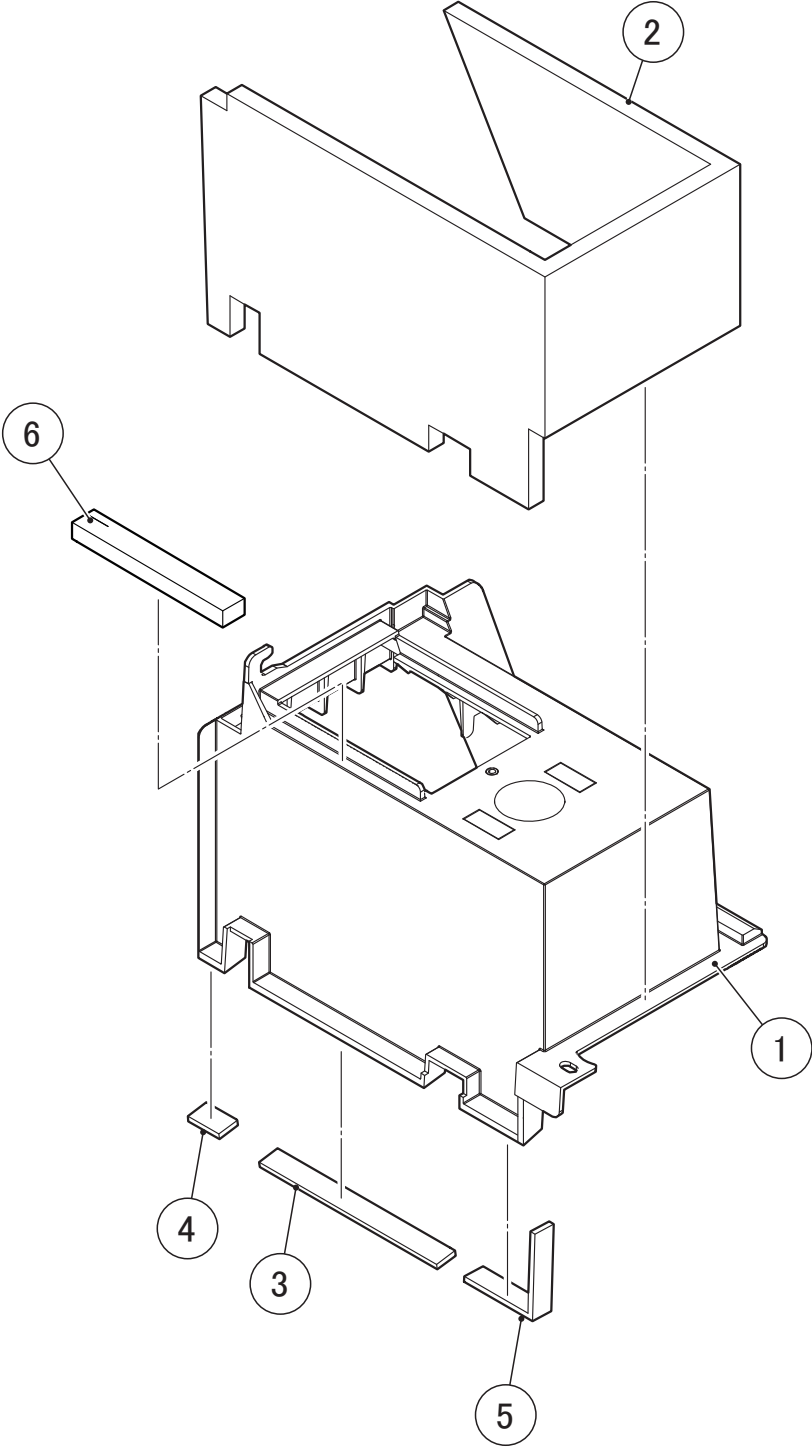
TITLE: **H. LABEL LOCATION**

INDEX NO.	DESCRIPTION	MATERIAL OR MODEL NUMBER	PART NUMBER	REQ'D NUMBER					
				J-1 L-0	L-1 and later				
1	EMBLEM		456245-01	1	1				
2	LABEL - PENGUIN		468184-01	1	1				
3	LABEL - AIR FILTER		426177-01	1	1				
		F132-C101,F132-C102	455367-01	1	1				
		F132-C151,F132-D151	463132-01	1	1				
4	MAINTENANCE LABEL		276974L01	1	1				
		F132-C101,F132-C102	379551L01	1	1				
		F132-C151,F132-D151	277831L01	1	1				
5	CAUTION LABEL - SERVICE		471180L01	1	1				
		F132-C101,F132-C102	471348L01	1	1				
		F132-C151,F132-D151	472704L01	1	1				
6	WIRING LABEL	F132-C111,F132-D111 F132-C121,F132-D121 F132-C141,F132-D141 F132-C171,F132-C271 F132-D171,F132-D271 F132-C173,F132-D173 F132-C174	373645L01	1	1				
		F132-C161,F132-D161 F132-C181,F132-D181 F132-C151,F132-D151	373646L01	1	1				
		F132-C101	379734L01	1	1				
		F132-C102	3C0396L01	-	1				
		F132-C002,F132-C112 F132-C122,F132-C142 F132-C175,F132-C275 F132-C176,F132-D176 F132-C177,F132-D112 F132-D122,F132-D142 F132-D175,F132-D275 F132-D177	3C0395L01	-	1				
7	INSTRUCTION LABEL		472709L01	1	1				
		F132-C101,F132-C102	472710L01	1	1				
		F132-C151,F132-D151	472711L01	1	1				
8	MANUAL LABEL		371379L01	1	1				
		F132-C101,F132-C102	371380L01	1	1				
		F132-C151,F132-D151	371381L01	1	1				
9	LABEL/R-404A		453230-01	1	1				

MODEL: **KMD-201AB**

TITLE: **H. LABEL LOCATION**

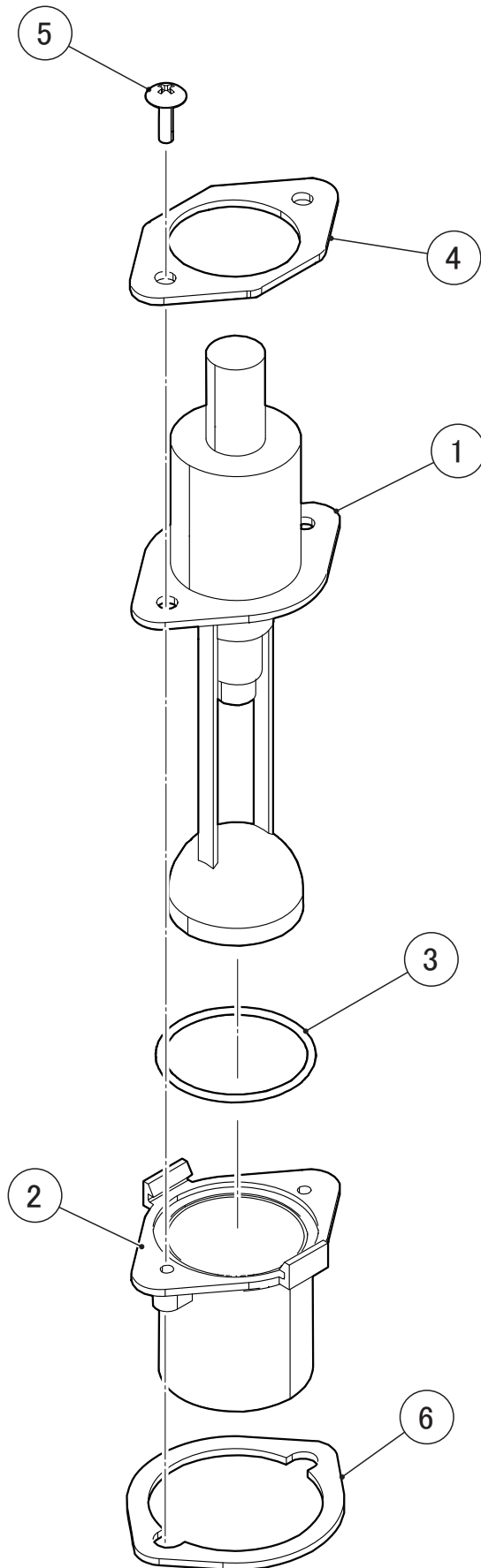
INDEX NO.	DESCRIPTION	MATERIAL OR MODEL NUMBER	PART NUMBER	REQ'D NUMBER					
				J-1 L-0	L-1 and later				
10	LABEL - ALARM		370310L01	1	1				
		F132-C101,F132-C102	371382L01	1	1				
		F132-C151,F132-D151	371383L01	1	1				
11	LABEL - CONTROL BOARD		374652L01	1	1				
		F132-C101,F132-C102	371384L01	1	1				
		F132-C151,F132-D151	371385L01	1	1				
12	LABEL - FUSE		472712L01	1	1				
		F132-C101,F132-C102	472713L01	1	1				
		F132-C151,F132-D151	472714L01	1	1				
13	LABEL - HACCP		476519L01	1	1				
14	CAUTION LABEL-CYCLOPENTANE	F132-C111,F132-D111 F132-C121,F132-D121 F132-C141,F132-D141 F132-C161,F132-D161 F132-C171,F132-C271 F132-D171,F132-D271 F132-C173,F132-D173 F132-C174,F132-D174 F132-C181,F132-D181 F132-C002,F132-C112 F132-C122,F132-C142 F132-C175,F132-C275 F132-C176,F132-D177 F132-C177,F132-D112 F132-D122,F132-D142 F132-D175,F132-D275 F132-D176	381437L01	1	1				
15	LABEL-FRONT FRAME		484959L01	1	1				
		F132-C101,F132-C102	485336L01	1	1				
		F132-C151,F132-D151	485337L01	1	1				
16	LABEL-REGULATION A	F132-C101,F132-C102	482347L01	1	1				
17	LABEL - INLET	F132-C101,F132-C102	482403L03	1	1				
18	LABEL - OUTLET	F132-C101,F132-C102	482403L04	1	1				
19	CAUTION LABEL	F132-C101,F132-C102 F132-C151,F132-D151	473789L01	1	1				
20	CAUTION LABEL/CYCLOPENTANE	F132-C151,F132-D151	4C0055L01	1	1				
21	LABEL-CFC AND HCFC FREE	F132-C271,F132-D271 F132-C275,F132-D275	482091L01	-	1				



MODEL: **KMD-201AB**

TITLE: **J. PUMP BRACKET ASSY**

INDEX NO.	DESCRIPTION	MATERIAL OR MODEL NUMBER	PART NUMBER	REQ'D NUMBER					
				J-1 L-0	L-1 and later				
1	PUMP BRACKET		127338G01	1	1				
2	PM BRACKET INSULATION		388191P01	1	1				
3	GASKET	L=120	388856Z04	1	1				
4	GASKET	L=21	388856Z05	1	1				
5	GASKET	L=90	388856Z06	1	1				
6	PUMP BRACKET INSULATION - B		485841P01	1	1				



	No.4	No.6
Larger ice	2	0
Normal ice	1	1
Small ice	0	2

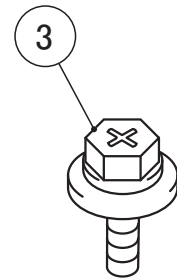
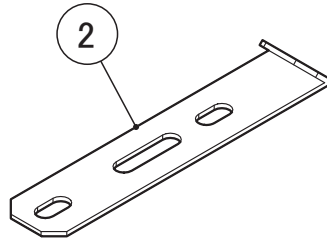
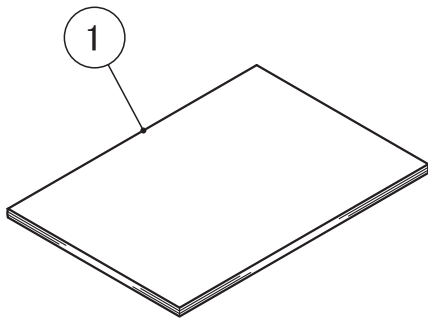
\* The above may be factory adjusted.  
See service manual for details.

MODEL: **KMD-201AB**

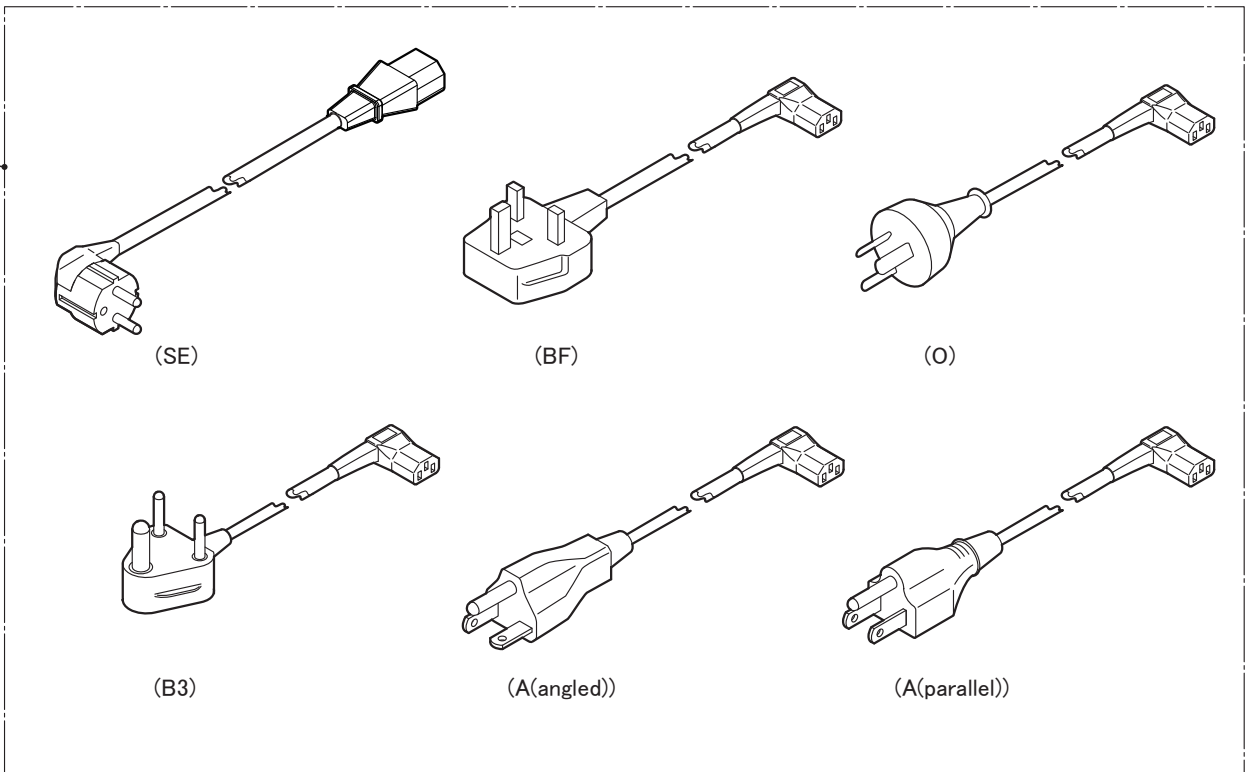
TITLE: **K. FLOAT SW. ASSY**

INDEX NO.	DESCRIPTION	MATERIAL OR MODEL NUMBER	PART NUMBER	REQ'D NUMBER					
				J-1 L-0	L-1 and later				
1	FLOAT SWITCH		P00816-01	1	1				
2	BRACKET - FLOAT SW.		258597P01	1	1				
3	PACKING		474862R01	1	1				
4	SPACER(A)-FLOAT SW		485043P01	1	1				
5	T2 TRUSS HEAD SCREW		FT20412S0	2	2				
6	SPACER(B)-FLOAT SW		485044P01	1	1				





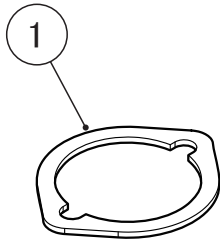
4



MODEL: **KMD-201AB**

TITLE: **L. ACCESSORIES**

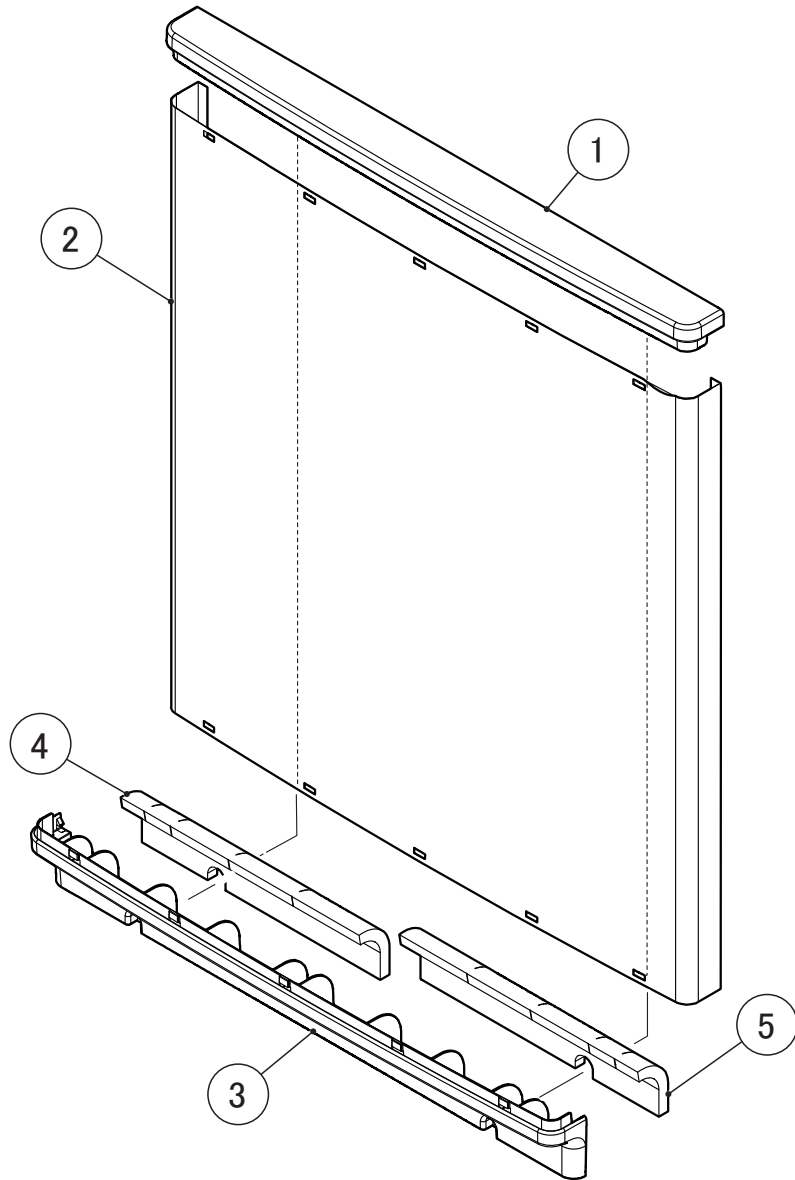
INDEX NO.	DESCRIPTION	MATERIAL OR MODEL NUMBER	PART NUMBER	REQ'D NUMBER					
				J-1 L-0	L-1 and later				
1	INSTRUCTION MANUAL		L1F132203	1	1				
		F132-C101,F132-C102	L1F132303	1	1				
		F132-C111,F132-D111 F132-C112,F132-D112	L1F132102	1	1				
		F132-C151,F132-D151	L1F132401	1	1				
2	UNIVERSAL BRACE		473048M01	2	2				
3	HEX HEAD BOLT W/WASHER [SW]	5X12 SUS	FBK0512S0	2	2				
4	POWER CORD	F132-C151,F132-D151	P05565-01	1	1				
		F132-C101,F132-C102	P01960-01	1	1				
		F132-C111,F132-D111 F132-C112,F132-D112	P02796-01	1	1				
		F132-C121,F132-D121 F132-C171,F132-D171 F132-C122,F132-C175 F132-D122,F132-D175	P02795-01	1	1				
		F132-C141,F132-D141 F132-C142,F132-C271 F132-D271,F132-C275 F132-D275	P02794-01	1	1				
		F132-C161,F132-D161	C06039-01	1	1				
		F132-C181,F132-D181	P01257-01	1	1				
		F132-C173,F132-D173 F132-C176,F132-D176	P03994-01	1	1				
F132-C174,F132-C177 F132-D174,F132-D177	C06074-01	1	1						



MODEL: **KMD-201AB**

TITLE: **M. OPTIONAL PARTS**

INDEX NO.	DESCRIPTION	MATERIAL OR MODEL NUMBER	PART NUMBER	REQ'D NUMBER					
				J-1 L-0	L-1 and later				
1	SPACER(A)-FLOAT SW		485043P01	1	1				
2	SPACER(B)-FLOAT SW		485044P01	1	1				



MODEL: **KMD-201AB**

TITLE: **P. FRONT PANEL**

INDEX NO.	DESCRIPTION	MATERIAL OR MODEL NUMBER	PART NUMBER	REQ'D NUMBER					
				J-1 L-0	L-1 and later				
1	TOP FRAME		118906P01	1	1				
2	FRONT PANEL (A)		127776M01	1	1				
3	BOTTOM FRAME		118905P01	1	1				
4	FOAM SEAL (L)		374788Z01	1	1				
5	FOAM SEAL (R)		374789Z01	1	1				