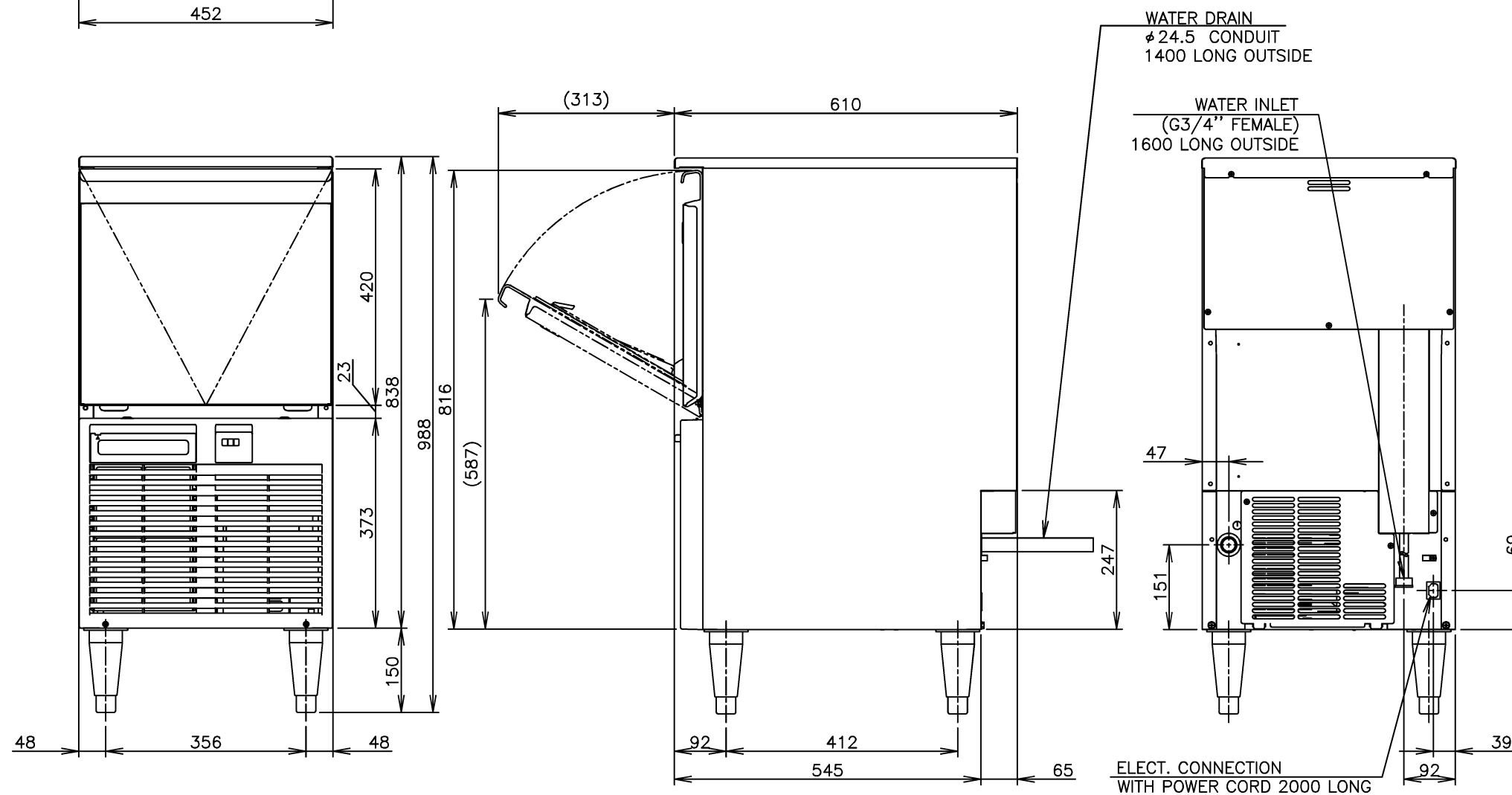


PACKAGE	Carton 555mm(W) x 715mm(D) x 996mm(H)	ITEM	Hoshizaki Crescent Ice Maker (Self -Contained Type)
ACCESSORIES	Instruction Manual, Scoop, Leg, Check Valve	MODEL	KM-40C-HC
OPTION	UV-LED, Fully Automated Cleaning kit	POWER SUPPLY	1 PHASE 220 - 240V 50Hz Capacity: Min. 0.50kVA (2.2A)
OPERATION CONDITION	Ambient Temp.: 7-38°C, Water Supply Temp.: 7-32°C	AMPERAGE	1.4A(AT. 32°C, WT. 21°C) Starting: 7.7A
	Water Supply Pressure: 0.07-0.8MPa(0.7-8bar) Voltage Range: ±6%	ELECTRIC CONSUMPTION	Rated Motor: 220W (Power factor: 69%)
*We reserve the right to make changes in specifications and design without prior notice.		ICE PRODUCTION PER 24h	Approx. 43kg/d(AT. 10°C, WT. 10°C) Approx. 41kg/d(AT. 21°C, WT. 15°C) Approx. 33kg/d(AT. 32°C, WT. 21°C)
1. Install the product properly in accordance with the instructions on location, water supply/drain connections and electrical connections stated in the instruction and installation manuals provided.		WATER CONSUMPTION PER 24h	Approx. 0.25m³/d(AT. 10°C, WT. 10°C) Approx. 0.12m³/d(AT. 21°C, WT. 15°C) Approx. 0.08m³/d(AT. 32°C, WT. 21°C)
2. The ice production depends on the ambient and water temperatures. Refer to the instruction manual.		ELECTRIC CONSUMPTION PER 100kg ICE	13.8kWh/100kg(AT.32°C,WT.21°C)
3. Standard Model Product Code: F158-C111		WATER CONSUMPTION PER 100kg ICE	0.23m³/100kg(AT.32°C,WT.21°C)
4. Fully Automated Cleaning Model Model: KM-40C-HC-W Product Code: F158-C211 WEIGHT : 41kg(Gross 51kg)		SHAPE OF ICE	Crescent Cube
		FREEZE CYCLE TIME	Approx. 23Min(AT. 21°C, WT. 15°C)
		ICE PRODUCTION PER CYCLE	Approx. 0.71kg / 80pcs(AT. 21°C, WT. 15°C)
		MAX STORAGE CAPACITY	Approx. 16kg(Bin Cont Setting Approx. 14kg)
		OUTSIDE DIMENSIONS	452mm(W) x 610mm(D) x 988 (982-1005)mm(H)
		EXTERIOR	Stainless Steel, Galvanized Steel(Rear), Plastic(Louwer)
		INSULATION	Polyurethane Foam
		INSULATION FOAM BLOWING AGENT	Cyclopentane
		CONNECTIONS-ELECTRIC	X-type Connection(with Plug)
		CONNECTIONS-WATER SUPPLY	Inlet G3/4"(connected at rear side)
		CONNECTIONS-DRAIN	Outlet φ 24.5(connected at rear side)
		ICE MAKING SYSTEM	Vertical Evaporator with water flow on both sides
		HARVESTING SYSTEM	Water Supply Harvest Cycle and Hot Gas Defrost
		COMPRESSOR	Hermetic
		CONDENSER	Air-cooled, Fin and Tube type
		HEAT REJECTION	580W(499kcal/h) (AT.32°C, WT.21°C)
		EVAPORATOR	Vertical type, Stainless Steel and Copper
		REFRIGERANT CONTROL	Capillary Tube
		REFRIGERANT CHARGE	R290/68g
		ICE MAKING CONTROL SYSTEM	Float Switch
		HARVESTING CONTROL SYSTEM	Hot Gas and Water, Thermistor and Timer
		ICE MAKING WATER CONTROL SYSTEM	Timer Controlled, Overflow Pipe
		BIN CONTROL SYSTEM	Mechanical Level Switch with Delay
		ELECTRICAL PROTECTION	Class I Appliance, 5A Fuse
		COMPRESSOR PROTECTION	Auto-reset Overload Protector(Internal)
		LOW WATER PROTECTION	Float Switch
		ICE MAKER PROTECTION	Interlock by Controller Board
		WEIGHT	39kg(Gross 49kg)



HOSHIZAKI CRESCENT ICE MAKER(SELF-CONTAINED TYPE) KM-40C-HC(for HL)

APPROVED KONDO	CHECKED YAMAGUCHI	DESIGNED KOSHI	DRAWN OHASHI	SCALE 1/10	TRIGONOMETRY
KONDO	KOSHI	2022.10.20	DATE 2022.01.27	DRAWING NO. D32654	SYMBOL △
APPROVED	DESIGNED	DATE			