



SELF-CONTAINED CUBER

PARTS LIST

[HE] [GRAM] [KOREA] [GENELAL] [HS]

E1FD

E1FD-D001,D002,D003,D004,D005,D006,D007,D008,D009
-D010,D011,D012,D013,D014,D015,D016,D017,D018
-D019,D020,D021,D022,D023,D024,D025,D026

A-1 JUL. 2011
B-0 JAN. 2012
B-1 OCT. 2012
C-0 JAN. 2013
D-0 JAN. 2014
D-1 APR. 2014
E-0 JAN. 2015
E-1 APR. 2015
F-0 JAN. 2016
G-0 JAN. 2017
G-1 MAY.2017
G-2 AUG.2017
G-3 NOV.2017
H-0 JAN.2018

IM-65NE
IM-65NE-25
IM-65NE(G60)
IM-65NE-25(G60)
IM-65NE-H
IM-65NE-S
IM-65NE-LM
IM-65NE-LM103
IM-65NE-C
IM-65NE-Q
IM-65NE-Q(KR)
IM-65NE(KR)
IM-65NE-25(KR)
IM-65WNE
IM-65WNE(G60)
IM-65WNE-25(G60)
IM-65WNE-25
IM-65WNE-Q
IM-65WNE(KR)
IM-65WNE-25(KR)
IM-65NE-LM(KR)
IM-65NE-LM103(KR)
IM-65NE-Q(G60)
IM-65NE(HS)
IM-65NE-25(HS)
IM-65NE-Q(HS)

List of Specifications

IM-65NE	E1FD	Standard
IM-65NE-25	E1FD-D001	25mm ICE of IM-65NE
IM-65WNE	E1FD-D002	Water cooled
IM-65NE	E1FD-D003	60Hz
IM-65NE-25	E1FD-D004	25mm ICE of IM-65NE, 60Hz
IM-65WNE	E1FD-D005	Water cooled, 60Hz
IM-65WNE-25	E1FD-D006	25mm ICE of IM-65WNE, 60Hz
IM-65NE-H	E1FD-D007	Hertful ICE of IM-65NE
IM-65NE-S	E1FD-D008	Star Ligft ICE of IM-65NE
IM-65NE-LM	E1FD-D009	Big ICE of IM-65NE
IM-65NE-LM103	E1FD-D010	Big ICE(103mm) of IM-65NE
IM-65NE-C	E1FD-D011	Cylinder ICE of IM-65NE
IM-65NE-Q	E1FD-D012	Ball ICE of IM-65NE
IM-65WNE-25	E1FD-D013	25mm ICE of IM-65WNE
IM-65NE-Q	E1FD-D014	Ball ICE of IM-65NE, 60Hz
IM-65WNE-Q	E1FD-D015	Ball ICE of IM-65WNE
IM-65NE(KR)	E1FD-D016	For KOREA power cord: hard-wired type
IM-65NE-25(KR)	E1FD-D017	For KOREA 25mm ICE of IM-65NE power cord: hard-wired type
IM-65WNE(KR)	E1FD-D018	For KOREA Water cooled power cord: hard-wired type
IM-65WNE-25(KR)	E1FD-D019	For KOREA Water cooled 25mm ICE power cord: hard-wired type
IM-65NE	E1FD-D020	For GRAM
IM-65NE-LM(KR)	E1FD-D021	Big ICE of IM-65NE for HKR 220V 60Hz
IM-65NE-LM103(KR)	E1FD-D022	Big ICE(103mm) of IM-65NE for HKR 220V 60Hz
IM-65NE(HS)	E1FD-D023	For Singapore special water valve
IM-65NE-25(HS)	E1FD-D024	25mm ICE for Singapore special water valve
IM-65NE-Q(HS)	E1FD-D025	Ball ICE of IM-65NE, for Singapore
IM-65NE-Q(G60)	E1FD-D026	Ball ICE of IM-65NE, GENELAL 230V 60Hz

AUXILIARY CODE

U - 1

The auxiliary code is the first two characters in the serial number. The first character indicates the production year. Years progress or regress in alphabetical order. The series of letters and skipped letters depend on UL listing, production, and model. See the auxiliary code(s) and corresponding year(s) on the front cover.

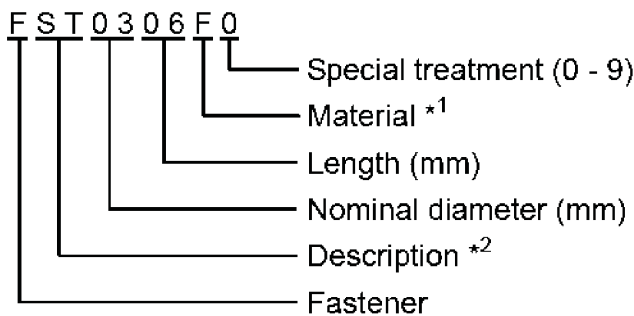
The second character indicates significant part changes within the same year. Base is "1" and this number advances for each change. If there is no significant part change at the turn of the year, this number starts from "0."

MARKS LOCATED UNDER THE AUXILIARY CODE

- = Part deleted.
- x = Part deleted and replaced by "o" part.
- o = New part in place of "x" part.

FASTENER PART NUMBER

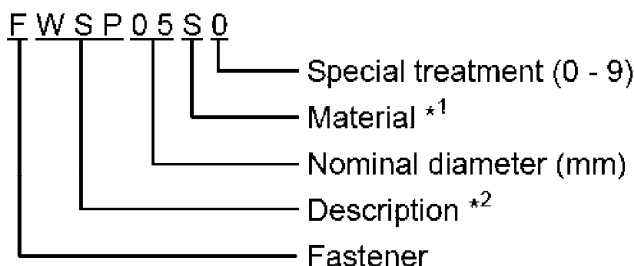
SCREWS



*¹ Material

- F: Steel
- S: Austenitic stainless steel
- M: Martensitic stainless steel
- B: Copper alloy
- P: Polycarbonate
- N: Polyamide
- V: PVC
- A: ABS
- X: Polyacetal
- L: Aluminum

NUTS & WASHERS



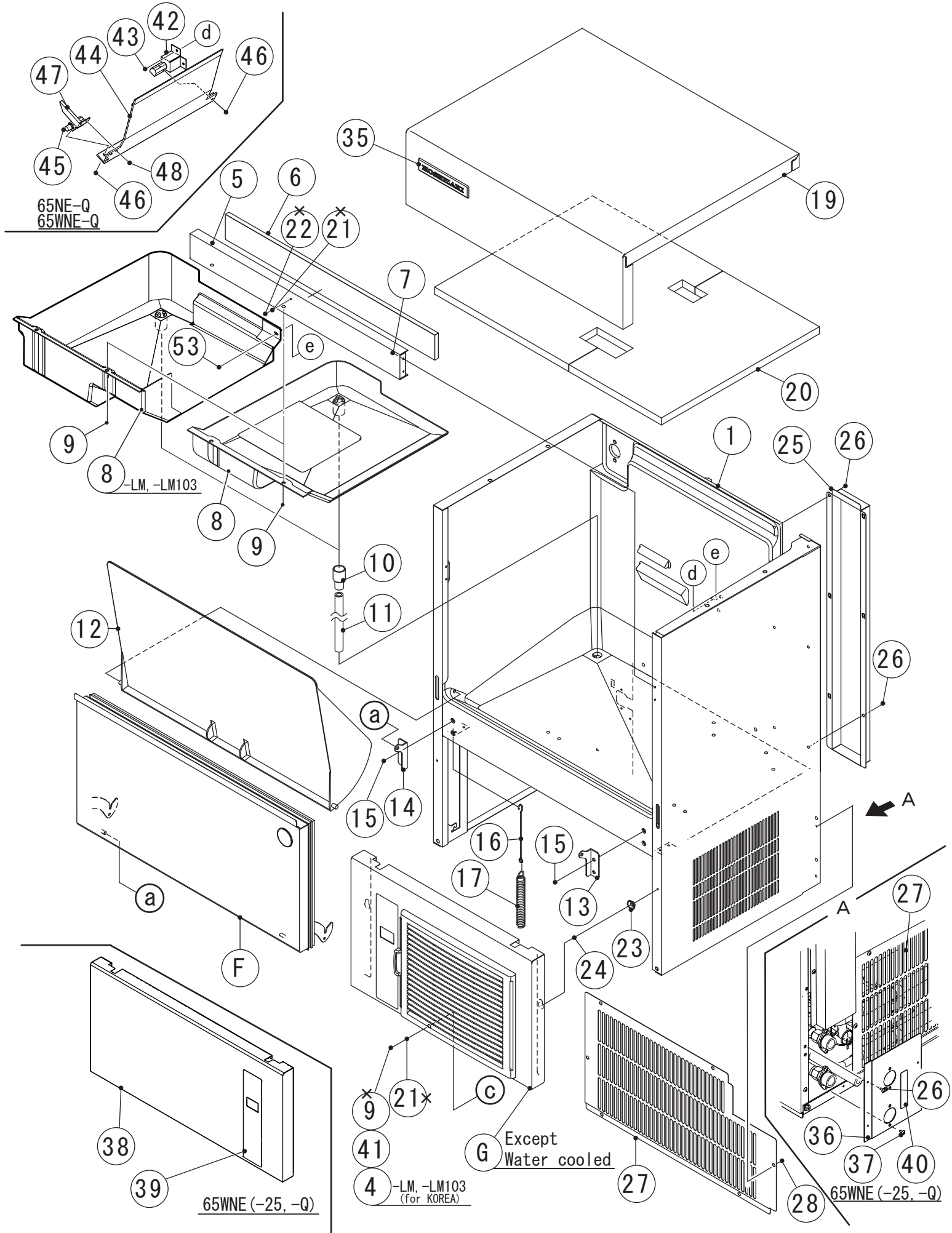
*² Description

- First letter
- S: Machine screw
- T: Tapping screw
- M: Wood screw
- B: Bolt
- W: Washer
- N: Nut

IM-65NE (-25, -H, -S, -LM, -LM103, -C, -Q)
IM-65WNE (-25, -Q)

A. ICE CUBER ASSY (1/2)

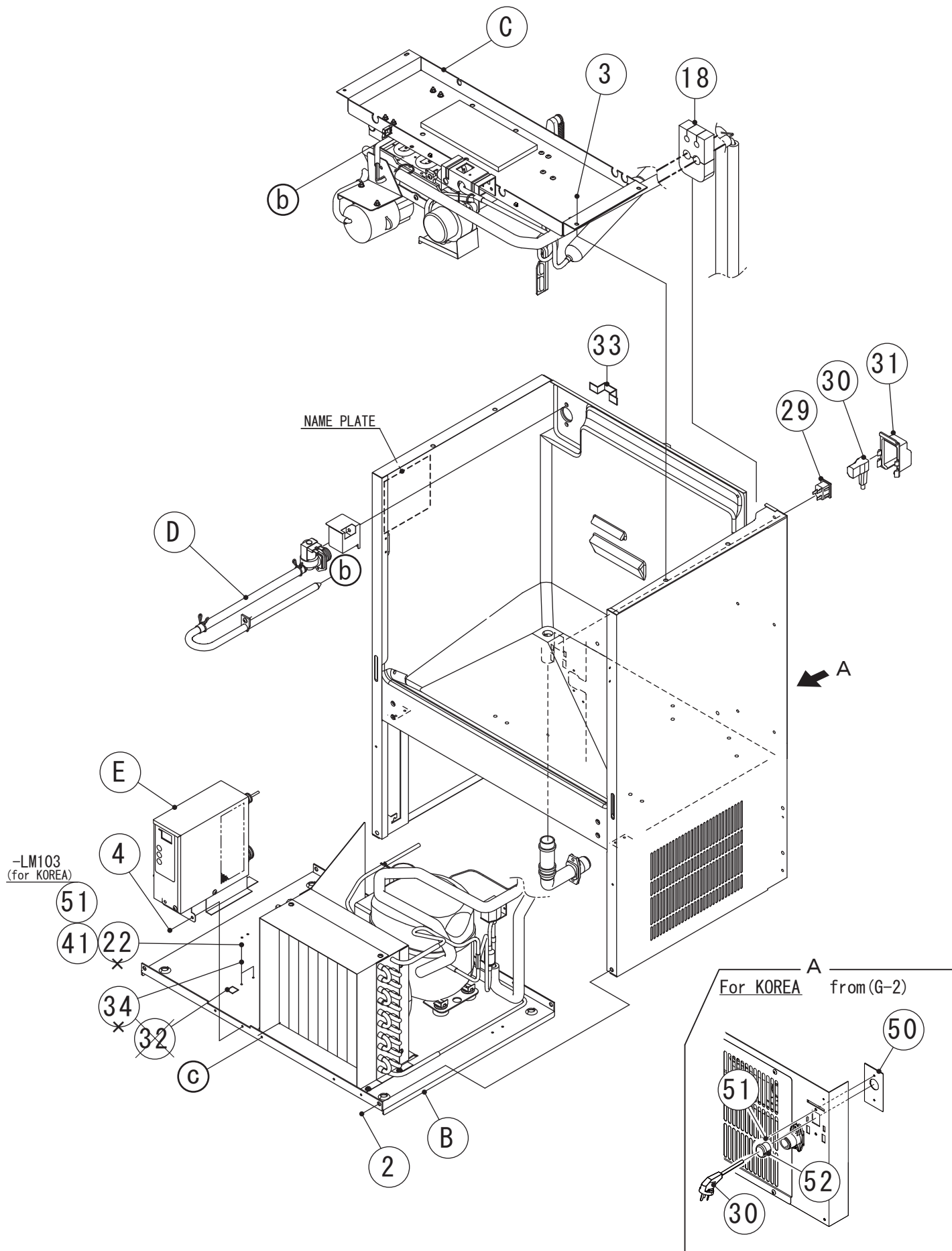
(A-1) and later



IM-65NE (-25, -H, -S, -LM, -LM103, -C, -Q)
IM-65WNE (-25, -Q)

A. ICE CUBER ASSY (2/2)

(A-1) and later



HE,GRAM,KOREA,HS

MODEL: IM-65NE(-25,-H,-S,-LM,-LM103,-C,-Q) IM-65WNE(-25,-Q)		TITLE: A.ICE CUBBER ASSY						
INDEX NO.	DESCRIPTION	MATERIAL OR MODEL NUMBER	PART NUMBER	REQ'D NUMBER				
				A-1 B-0	B-1,C-0 D-0	D-1 E-0	E-1 G-0	G-1
B	REFRIGERATION ASSY		1H4912A01	1	1	1	1	1
		(65WNE) (65WNE-25,-Q)	1H5150A01	1	1	1	1	1
C	ICE MAKING MECHANISM ASSY		1H4910A01	1	1	1	-	-
			1H4910A02	-	-	-	1	1
		(65NE-C)	1H5338A01	-	1	1	-	-
			1H5338A02	-	-	-	1	1
	(65NE-Q)(65WNE-Q)	1H5360A01	-	1	1	1	1	
	MECHANISM ASSY	(65NE-LM,-LM103)	1H5334A01	-	1	1	-	-
			1H5334A02	-	-	-	1	1
D	WATER CIRCUIT ASSY		3Y5857A01	1	1	1	1	1
		(65NE-Q)(65WNE-Q)	3Y7529A01	-	1	1	1	1
E	CONTROL BOX ASSY		2X0439A02	1	-	-	-	-
			2X1218A01	-	1	1	1	1
F	DOOR ASSY		3Y5644A02	1	1	1	1	1
G	FRONT PANEL LOWER ASSY	EXCEPT (65WNE) (65WNE-25,-Q)	3Y5615A02	1	1	1	1	1
1	UNIT FRAME		1H4909G01	1	1	1	1	1
		(65NE-LM,-LM103)	1H4909001	-	1	-	-	-
			1H4909002	-	-	1	1	1
		(65NE-Q)(65WNE-Q)	1H5357G01	-	1	1	1	1
2	TAPPING SCREW - HEX		442040-01	4	4	4	4	4
		(65NE-Q)(65WNE-Q)	442040-01	-	4	4	4	4
3	TRUSS HEAD TAPPING SCREW T2		FT20410M0	4	4	4	4	4
4	FLANGE BOLT (S-TITE)		FTR0408M0	2	2	2	2	2
5	FRONT FRAME		3H1678-12	1	1	1	1	1
6	INSULATION - FRONT FRAME		4H2317-03	1	1	1	1	1
7	RIVET	SSD42SSBS(t1.6 ~ 3.2)	7170-0002	4	4	4	4	4
8	DRAIN PAN		2H1441-02	1	1	1	1	1
		(65NE-LM,-LM103)	2H1632G01	-	1	1	1	1
		(65NE-Q)(65WNE-Q)	2H1676G01	-	1	1	1	1
9	TRUSS HEAD TAPPING SCREW (S-TITE)		FTS0408M0	3	2	2	2	2
10	DRAIN TUBE		4H2585-01	1	1	1	1	1

HE,GRAM,KOREA,HS

MODEL: IM-65NE(-25,-H,-S,-LM,-LM103,-C,-Q) IM-65WNE(-25,-Q)		TITLE: A.ICE CUBBER ASSY						
INDEX NO.	DESCRIPTION	MATERIAL OR MODEL NUMBER	PART NUMBER	REQ'D NUMBER				
				A-1 B-0	B-1,C-0 D-0	D-1 E-0	E-1 G-0	G-1
11	DRAIN PIPE		4Y7493P03	1	1	1	1	1
		(65NE-LM,-LM103)	4Y7493P02	-	1	1	1	1
		(65NE-Q)(65WNE-Q)	4Y7493P04	-	1	1	1	1
12	SLOPE		2H1349-02	1	1	1	1	1
13	HINGE (RIGHT)		4H2583-01	1	1	1	1	1
14	HINGE (LEFT)		4H2584-01	1	1	1	1	1
15	HEX HEAD BOLT (SPRING WASHER AND FLAT WASHER)		FBK0616S0	4	4	4	4	4
16	HOOK		404060-10	1	1	1	1	1
17	SPRING		4H0823-01	1	1	1	1	1
18	INSULATION-BIN		4Y7416P01	1	1	1	1	1
19	FRONT PANEL(UPPER)	(HE) Including No. 35	3Y5548G03	1	1	1	1	1
		(GRAM) Including No. 35	3Y5548G06	1	1	1	1	1
		(65NE-LM,-LM103,-Q) (65WNE-Q)	3Y7468G01	-	1	1	1	1
20	INSULATION - TOP	(50Hz)	3Y5960P01	1	1	1	-	-
			3Y5960P02	-	-	-	1	1
		(60Hz)	3Y5960P01	1	1	1	1	-
			3Y5960P02	-	-	-	-	1
		(65NE-LM,-LM103)	3Y7387G01	-	1	1	1	1
		(65NE-Q)(65WNE-Q)	3Y7530G01	-	1	1	1	1
	INSULATION-TOP PANEL	(65NE-C)	3Y7493G01	-	1	1	-	-
3Y7493G02			-	-	-	1	1	
21	SPRING WASHER		FWSP04S0	2	-	-	-	-
22	TRUSS HEAD MACHINE SCREW		FST0408S0	3	-	-	-	-
23	TAPER COLLAR		4H0171-01	2	2	2	2	2
24	RIVET	SSD42BS	7170-0001	2	2	2	2	2
25	COVER - PIPE		3Y5869M01	1	1	1	1	1
26	TRUSS HEAD TAPPING SCREW T2		FT20408F0	6	6	6	6	6
		(65WNE)(65WNE-25,-Q)	FT20408F0	14	14	14	14	14
27	REAR COVER		3Y5858M01	1	1	1	1	1
		(65WNE)(65WNE-25,-Q)	3Y6615M01	1	1	1	1	1
28	TRUSS HEAD TAPPING SCREW T2	EXCEPT (65WNE) (65WNE-25,-Q)	FT20408M0	6	6	6	6	6
29	CONNECTOR		P00245-02	1	1	1	1	1

HE,GRAM,KOREA,GENELAL 60Hz,HS

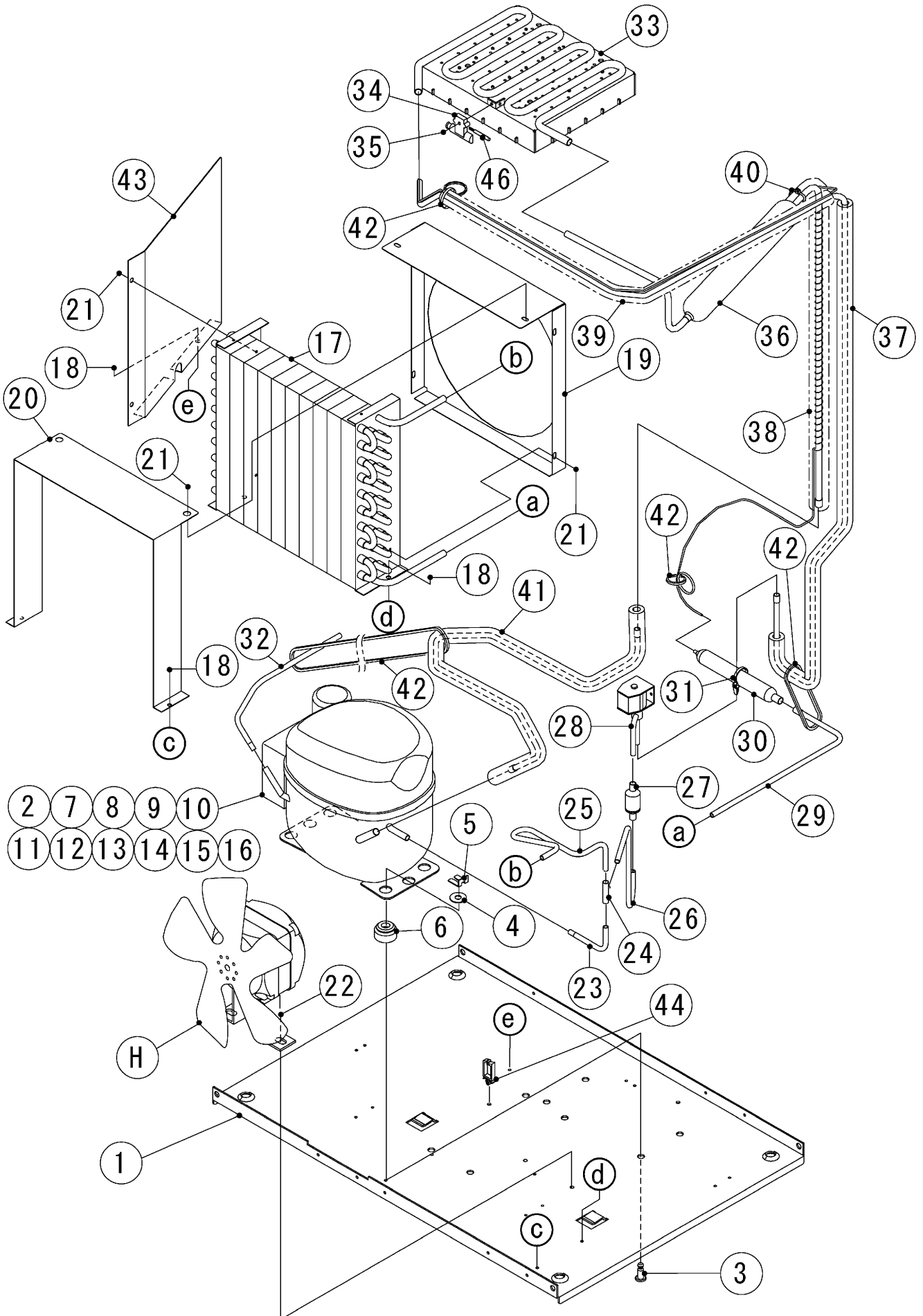
MODEL: IM-65NE(-25,-H,-S,-LM,-LM103,-C,-Q) IM-65WNE(-25,-Q)		TITLE: A.ICE CUBBER ASSY						
INDEX NO.	DESCRIPTION	MATERIAL OR MODEL NUMBER	PART NUMBER	REQ'D NUMBER				
				G-2	G-3			
B	REFRIGERATION ASSY	(65NE) standard size	1H4912A01	1	-			
			1H6002A01	-	1			
			1H4912A01	1	1			
		(65NE-LM,-LM103 for HKR)	1H6118A01	-	1			
		(65WNE) standard size	1H5150A01	1	-			
			1H6004A01	-	1			
	1H5150A01	1	1					
C	ICE MAKING MECHANISM ASSY		1H4910A02	1	1			
		(65NE-C)	1H5338A02	1	1			
		(65NE-Q)(65WNE-Q)	1H5360A01	1	1			
	MECHANISM ASSY	(65NE-LM,-LM103 Including for HKR)	1H5334A02	1	1			
D	WATER CIRCUIT ASSY		3Y5857A01	1	1			
		(65NE-Q)(65WNE-Q)	3Y7529A01	1	1			
		(65NE-Q)(65WNE-Q) for Singapore	3Y7529001	-	1			
		(65NE-LM,-LM103 for HKR)	3Z0776A01	-	1			
E	CONTROL BOX ASSY	(65NE,WNE)	2X1218A01	1	-			
			2X3406A01	-	1			
		(65NE-25,-H,-S,-C,-Q) (65NE-LM,-LM103 Including for HKR) (65WNE-25,-Q)	2X1218A01	1	1			
F	DOOR ASSY		3Y5644A02	1	1			
G	FRONT PANEL LOWER ASSY	EXCEPT (65WNE) (65WNE-25,-Q)	3Y5615A02	1	1			
1	UNIT FRAME		1H4909G01	1	1			
		(65NE-LM,-LM103 except for HKR)	1H4909002	1	1			
		(65NE-Q)(65WNE-Q)	1H5357G01	1	1			
		(65NE-LM,-LM103 for HKR)	1H6146G02	1	1			
2	TAPPING SCREW - HEX		442040-01	4	4			
3	TRUSS HEAD TAPPING SCREW T2		FT20410M0	4	4			
		(65NE-LM,-LM103 for HKR)	FST0410S0	-	4			
4	FLANGE BOLT (C-TITE)		FTR0408M0	2	2			
		(65NE-LM,-LM103 for HKR)		-	3			
5	FRONT FRAME		3H1678-12	1	1			
6	INSULATION - FRONT FRAME		4H2317-03	1	1			

HE, GRAM, KOREA, GENELAL 60Hz, HS

MODEL: IM-65NE(-25,-H,-S,-LM,-LM103,-C,-Q) IM-65WNE(-25,-Q)		TITLE: A.ICE CUBBER ASSY						
INDEX NO.	DESCRIPTION	MATERIAL OR MODEL NUMBER	PART NUMBER	REQ'D NUMBER				
				G-2	G-3			
7	RIVET	SSD42SSBS(t1.6~3.2)	7170-0002	4	4			
8	DRAIN PAN		2H1441-02	1	1			
		(65NE-LM,-LM103 Including for HKR)	2H1632G01	1	1			
		(65NE-Q)(65WNE-Q)	2H1676G01	1	1			
9	TRUSS HEAD TAPPING SCREW (S-TITE)		FTS0408M0	2	2			
10	DRAIN TUBE		4H2585-01	1	1			
11	DRAIN PIPE		4Y7493P03	1	1			
		(65NE-LM,-LM103 except for HKR)	4Y7493P02	1	1			
		(65NE-Q)(65WNE-Q) (65NE-LM,-LM103 for HKR)	4Y7493P04	1	1			
12	SLOPE		2H1349-02	1	1			
13	HINGE (RIGHT)		4H2583-01	1	1			
14	HINGE (LEFT)		4H2584-01	1	1			
15	HEX HEAD BOLT (SPRING WASHER AND FLAT WASHER)		FBK0616S0	4	4			
16	HOOK		404060-10	1	1			
17	SPRING		4H0823-01	1	1			
18	INSULATION-BIN		4Y7416P01	1	1			
19	FRONT PANEL(UPPER)	(HE) Including No. 35	3Y5548G03	1	1			
		(GRAM) Including No. 35	3Y5548G06	1	1			
		Including No. 35(HE) (65NE-Q) (65NE-LM,-LM103 Including for HKR) (65WNE-Q)	3Y7468G01	1	1			
20	INSULATION - TOP	(50Hz)	3Y5960P02	1	1			
		(60Hz)	3Y5960P02	1	1			
		(65NE-LM,-LM103 Including for HKR)	3Y7387G01	1	1			
		(65NE-Q)(65WNE-Q)	3Y7530G01	1	1			
	INSULATION-TOP PANEL	(65NE-C)	3Y7493G02	1	1			
23	TAPER COLLAR		4H0171-01	2	2			
24	RIVET	SSD42BS	7170-0001	2	2			
25	COVER - PIPE		3Y5869M01	1	1			
26	TRUSS HEAD TAPPING SCREW T2		FT20408F0	6	6			
		(65WNE)(65WNE-25,-Q)		14	14			
27	REAR COVER		3Y5858M01	1	1			
		(65WNE)(65WNE-25,-Q)	3Y6615M01	1	1			
28	TRUSS HEAD TAPPING SCREW T2	EXCEPT (65WNE) (65WNE-25,-Q)	FT20408M0	6	6			

B. REFRIGERATION ASSY

(A-1) and later



HE,GRAM,KOREA,HS

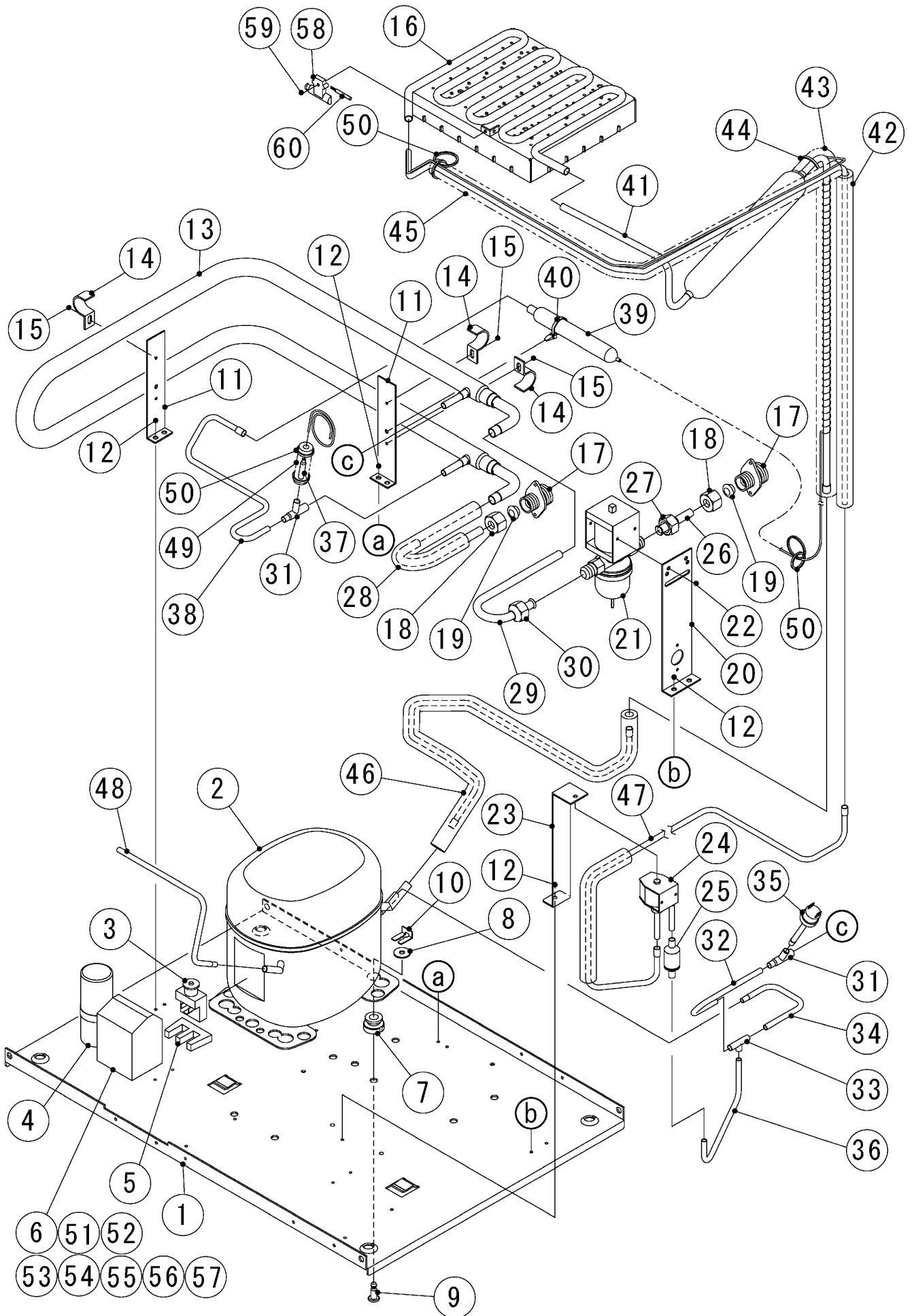
MODEL: IM-65NE(-25,-H,-S,-LM,-LM103,-C,-Q)		TITLE: B.REFRIGERATION ASSY						
INDEX NO.	DESCRIPTION	MATERIAL OR MODEL NUMBER	PART NUMBER	REQ'D NUMBER				
				A-1 B-0	B-1,C-0 D-0	D-1 E-0	E-1 G-0	G-1
H	FAN MOTOR ASSY		3Y5886A01	1	1	1	1	1
1	BASE		1H4829M01	1	1	1	1	1
2	COMPRESSOR	(50Hz)	P02582-01	1	1	1	1	1
		(60Hz)	P02617-01	1	1	1	1	1
		(65NE-H,-S,-LM,-LM103)	451196-01	-	1	1	1	1
3	PIN		P02605-01	4	4	4	4	4
	STEEL PIN	(65NE-H,-S,-LM,-LM103)	452255-01	-	4	4	4	4
4	WASHER		P02606-01	4	4	4	4	4
	WASHER CUSHION	(65NE-H,-S,-LM,-LM103)	450894-01	-	4	4	4	4
5	CLAMP		P02607-01	4	4	4	4	4
	CLIP	(65NE-H,-S,-LM,-LM103)	452256-01	-	4	4	4	4
6	RUBBER GROMMET		P02608-01	4	4	4	4	4
	GROMMET	(65NE-H,-S,-LM,-LM103)	450897-01	-	4	4	4	4
7	HERMETIC TERMINAL COVER		P03143-01	1	1	1	1	1
	COVER	(65NE-H,-S,-LM,-LM103)	450896-0	-	1	1	1	1
8	SCREW	EXCEPT(65NE-H,-S,-LM,-LM103)	P00840-01	2	2	2	2	2
9	BRACKET FOR CAPACITOR	EXCEPT(65NE-H,-S,-LM,-LM103)	P02610-01	1	1	1	1	1
10	START CAPACITOR		P02611-01	1	1	1	1	1
	STARTING CAPACITOR	(65NE-H,-S,-LM,-LM103)	450898-01	-	1	1	1	1
11	TERMINAL BOARD	EXCEPT(65NE-H,-S,-LM,-LM103)	P02612-01	1	1	1	1	1
12	STARTING RELAY	(50Hz)	P02622-01	1	1	1	1	1
		(60Hz)	P02619-01	1	1	1	1	1
		(65NE-H,-S,-LM,-LM103)	451197-01	-	1	1	1	1
13	MOTOR PROTECTOR	(50Hz) EXCEPT(65NE-H,-S,-LM,-LM103)	P02621-01	1	1	1	1	1
		(60Hz)	P02614-01	1	1	1	1	1
14	Overload Protector Bracket	EXCEPT(65NE-H,-S,-LM,-LM103)	P03144-01	1	1	1	1	1
15	SELF TAPPING SCREW M4-11	EXCEPT(65NE-H,-S,-LM,-LM103)	P02615-01	1	1	1	1	1
16	SELF TAPPING SCR W M4-21	EXCEPT(65NE-H,-S,-LM,-LM103)	P02616-01	1	1	1	1	1
17	CONDENSER - AIR COOLED		P03373-01	1	1	1	1	1
18	FLANGE BOLT (S-TITE)		FTR0408M0	5	5	5	5	5
19	SHROUD		3Y5883M01	1	1	1	1	1
20	COVER - CONDENSER		3Y5890M01	1	1	1	1	1
21	TRUSS HEAD TAPPING SCREW T2		FT20408F0	6	6	6	6	6
22	HEX HEAD BOLT (SPRING WASHER AND FLAT WASHER)		FBK0612F0	2	2	2	2	2

HE,GRAM,KOREA,GENELAL 60Hz,HS

MODEL: IM-65NE(-25,-H,-S,-LM,-LM103,-C,-Q)		TITLE: B.REFRIGERATION ASSY						
INDEX NO.	DESCRIPTION	MATERIAL OR MODEL NUMBER	PART NUMBER	REQ'D NUMBER				
				G-2	G-3			
H	FAN MOTOR ASSY		3Y5886A01	1	1			
1	BASE		1H4829M01	1	1			
2	COMPRESSOR	(50Hz)	P02582-01	1	1			
		(60Hz) (65NE-LM,-LM103 for HKR)	P02617-01	1	1			
		(65NE-H,-S,-LM,-LM103)	451196-01	1	1			
3	PIN		P02605-01	4	4			
	STEEL PIN	(65NE-H,-S) (65NE-LM,-LM103 except for HKR)	452255-01	4	4			
4	WASHER		P02606-01	4	4			
	WASHER CUSHION	(65NE-H,-S) (65NE-LM,-LM103 except for HKR)	450894-01	4	4			
5	CLAMP		P02607-01	4	4			
	CLIP	(65NE-H,-S) (65NE-LM,-LM103 except for HKR)	452256-01	4	4			
6	RUBBER GROMMET		P02608-01	4	4			
	GROMMET	(65NE-H,-S) (65NE-LM,-LM103 except for HKR)	450897-01	4	4			
7	HERMETIC TERMINAL COVER		P03143-01	1	1			
	COVER	(65NE-H,-S) (65NE-LM,-LM103 except for HKR)	450896-0	1	1			
8	SCREW	EXCEPT (65NE-H,-S) (65NE-LM,-LM103 except for HKR)	P00840-01	2	2			
9	BRACKET FOR CAPACITOR	EXCEPT (65NE-H,-S) (65NE-LM,-LM103 except for HKR)	P02610-01	1	1			
10	START CAPACITOR		P02611-01	1	1			
	STARTING CAPACITOR	(65NE-H,-S) (65NE-LM,-LM103 except for HKR)	450898-01	1	1			
11	TERMINAL BOARD	EXCEPT (65NE-H,-S) (65NE-LM,-LM103 except for HKR)	P02612-01	1	1			
12	STARTING RELAY	(50Hz)	P02622-01	1	1			
		(60Hz) (65NE-LM,-LM103 for HKR)	P02619-01	1	1			
		(65NE-H,-S,-LM,-LM103)	451197-01	1	1			

HE,GRAM,KOREA,GENELAL 60Hz,HS

		MODEL: IM-65NE(-25,-H,-S,-LM,-LM103,-C,-Q)		TITLE: B.REFRIGERATION ASSY				
INDEX NO.	DESCRIPTION	MATERIAL OR MODEL NUMBER	PART NUMBER	REQ'D NUMBER				
				G-2	G-3			
13	MOTOR PROTECTOR	(50Hz) EXCEPT (65NE-H,-S) (65NE-LM,-LM103 except for HKR)	P02621-01	1	1			
		(60Hz)	P02614-01	1	1			
14	Overload Protector Bracket	EXCEPT (65NE-H,-S) (65NE-LM,-LM103 except for HKR)	P03144-01	1	1			
15	SELF TAPPING SCREW M4-11	EXCEPT (65NE-H,-S) (65NE-LM,-LM103 except for HKR)	P02615-01	1	1			
16	SELF TAPPING SCRW M4-21	EXCEPT (65NE-H,-S) (65NE-LM,-LM103 except for HKR)	P02616-01	1	1			
17	CONDENSER - AIR COOLED		P03373-01	1	1			
18	FLANGE BOLT (S-TITE)		FTR0408M0	5	5			
19	SHROUD		3Y5883M01	1	1			
20	COVER - CONDENSER		3Y5890M01	1	1			
21	TRUSS HEAD TAPPING SCREW T2		FT20408F0	6	6			
22	HEX HEAD BOLT (SPRING WASHER AND FLAT WASHER)		FBK0612F0	2	2			
23	PIPE(A) - HIGH SIDE		4Y7160M01	1	1			
		(65NE-H,-S) (65NE-LM,-LM103 except for HKR)	4Y8379M01	1	1			
24	TEE		417394-01	1	1			
25	PIPE(B) - HIGH SIDE		4Y7161M01	1	1			
26	PIPE(A) - HOT		4Y7162M01	1	1			
27	STRAINER		P00008-01	1	1			
28	HOT GAS VALVE		P02539-01	1	1			
29	PIPE(C) - HIGH SIDE		4Y7163M01	1	1			
30	DRIER		P03584-01	1	1			
31	TIE		457167-01	2	2			
32	PROSESS PIPE		4Y7164M01	1	1			
		(65NE-H,-S) (65NE-LM,-LM103 except for HKR)	4Y8380M01	1	1			



HE

MODEL: IM-65WNE IM-65WNE(-25,-Q)		TITLE: B.REFRIGERATION ASSY						
INDEX NO.	DESCRIPTION	MATERIAL OR MODEL NUMBER	PART NUMBER	REQ'D NUMBER				
				A-1 B-0	B-1,C-0 D-0	D-1 E-0	E-1 G-0	G-1
1	BASE		1H4829M01	1	1	1	1	1
2	COMPRESSOR	(50Hz)	451196-01	1	1	1	1	1
		(60Hz)	P02617-01	1	1	1	1	1
3	STARTING RELAY	(50Hz)	451197-01	1	1	1	1	1
		(60Hz)	P02619-01	1	1	1	1	1
4	STARTING CAPACITOR	(50Hz)	450898-01	1	1	1	1	1
		(60Hz)	P02611-01	1	1	1	1	1
5	CORD RELIEF	(50Hz)	4A3264-01	1	1	1	1	1
6	COVER	(50Hz)	450896-01	1	1	1	1	1
	HERMETIC TERMINAL COVER	(60Hz)	P03143-01	1	1	1	1	1
7	GROMMET	(50Hz)	450897-01	4	4	4	4	4
	RUBBER GROMMET	(60Hz)	P02608-01	4	4	4	4	4
8	WASHER CUSHION	(50Hz)	450894-01	4	4	4	4	4
	WASHER	(60Hz)	P02606-01	4	4	4	4	4
9	STEEL PIN	(50Hz)	452255-01	4	4	4	4	4
	PIN	(60Hz)	P02605-01	4	4	4	4	4
10	CLIP	(50Hz)	452256-01	4	4	4	4	4
	CLAMP	(60Hz)	P02607-01	4	4	4	4	4
11	BRACKET - CONDENSER		4H5731-01	2	2	2	2	2
12	FLANGE BOLT (S-TITE)		FTQ0410M0	7	7	7	7	7
13	CONDENSER - WATER COOLING		2X1106G01	1	1	1	1	1
14	CLAMP(B) - CONDENSER		4H0622-01	3	3	3	3	3
15	T2 TRUSS HEAD SCREW		FT20408F0	3	3	3	3	3
16	EVAPORATOR		3H6803G02	1	1	1	1	1
		(65WNE-25)	3H4407G01	1	1	1	1	1
		(65WNE-Q)	3H4634G01	-	-	-	1	1
17	FITTING(P)		3Y0747-01	2	2	2	2	2
18	NUT (A) - FITTING		415713-03	2	2	2	2	2
19	TAPPERED PACKING		415715-01	2	2	2	2	2
20	BRACKET - WATER REGURATOR		4X5632-01	1	1	1	1	1
21	WATER REGULATOR		P04020-01	1	1	1	1	1
22	TRUSS HEAD SCREW		FST0406S0	2	2	2	2	2
23	BRACKET - HOT GAS VALVE		4H5186-01	1	1	1	1	1
24	HOT GAS VALVE		P02539-01	1	1	1	1	1
25	STRAINER		P00008-01	1	1	1	1	1
26	PIPE(C) - WATER		4Y7391M01	1	1	1	1	1
27	NUT - FLARE		403695-01	1	1	1	1	1
28	PIPE(A) - WATER		4Y7392G01	1	1	1	1	1

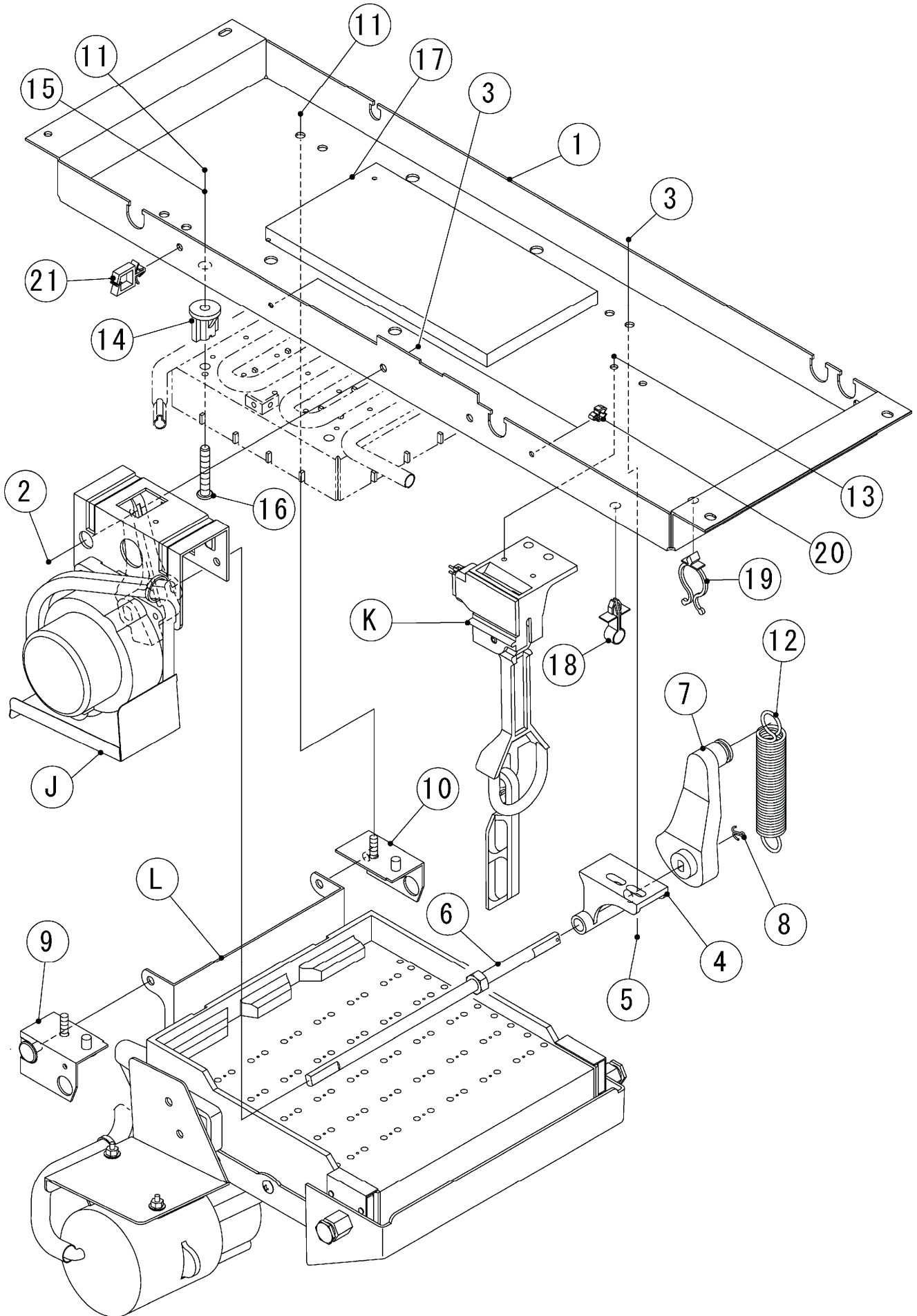
HE

MODEL: IM-65WNE IM-65WNE(-25,-Q)		TITLE: B.REFRIGERATION ASSY						
INDEX NO.	DESCRIPTION	MATERIAL OR MODEL NUMBER	PART NUMBER	REQ'D NUMBER				
				G-2	G-3			
1	BASE		1H4829M01	1	1			
2	COMPRESSOR	(50Hz)	451196-01	1	1			
		(60Hz)	P02617-01	1	1			
3	STARTING RELAY	(50Hz)	451197-01	1	1			
		(60Hz)	P02619-01	1	1			
4	STARTING CAPACITOR	(50Hz)	450898-01	1	1			
		(60Hz)	P02611-01	1	1			
5	CORD RELIEF	(50Hz)	4A3264-01	1	1			
6	COVER	(50Hz)	450896-01	1	1			
	HERMETIC TERMINAL COVER	(60Hz)	P03143-01	1	1			
7	GROMMET	(50Hz)	450897-01	4	4			
	RUBBER GROMMET	(60Hz)	P02608-01	4	4			
8	WASHER CUSHION	(50Hz)	450894-01	4	4			
	WASHER	(60Hz)	P02606-01	4	4			
9	STEEL PIN	(50Hz)	452255-01	4	4			
	PIN	(60Hz)	P02605-01	4	4			
10	CLIP	(50Hz)	452256-01	4	4			
	CLAMP	(60Hz)	P02607-01	4	4			
11	BRACKET - CONDENSER		4H5731-01	2	2			
12	FLANGE BOLT (S-TITE)		FTQ0410M0	7	7			
13	CONDENSER - WATER COOLING		2X1106G01	1	1			
14	CLAMP(B) - CONDENSER		4H0622-01	3	3			
15	T2 TRUSS HEAD SCREW		FT20408F0	3	3			
16	EVAPORATOR		3H6803G02	1	-			
			2X2461G02	-	1			
		(65WNE-25)	3H4407G01	1	1			
		(65WNE-Q)	3H4634G01	1	1			
17	FITTING(P)		3Y0747-01	2	2			
18	NUT (A) - FITTING		415713-03	2	2			
19	TAPPERED PACKING		415715-01	2	2			
20	BRACKET - WATER REGURATOR		4X5632-01	1	1			
21	WATER REGULATOR		P04020-01	1	1			
22	TRUSS HEAD SCREW		FST0406S0	2	2			
23	BRACKET - HOT GAS VALVE		4H5186-01	1	1			
24	HOT GAS VALVE		P02539-01	1	1			
25	STRAINER		P00008-01	1	1			
26	PIPE(C) - WATER		4Y7391M01	1	1			
27	NUT - FLARE		403695-01	1	1			

IM-65NE (-25, -H, -S, -C)

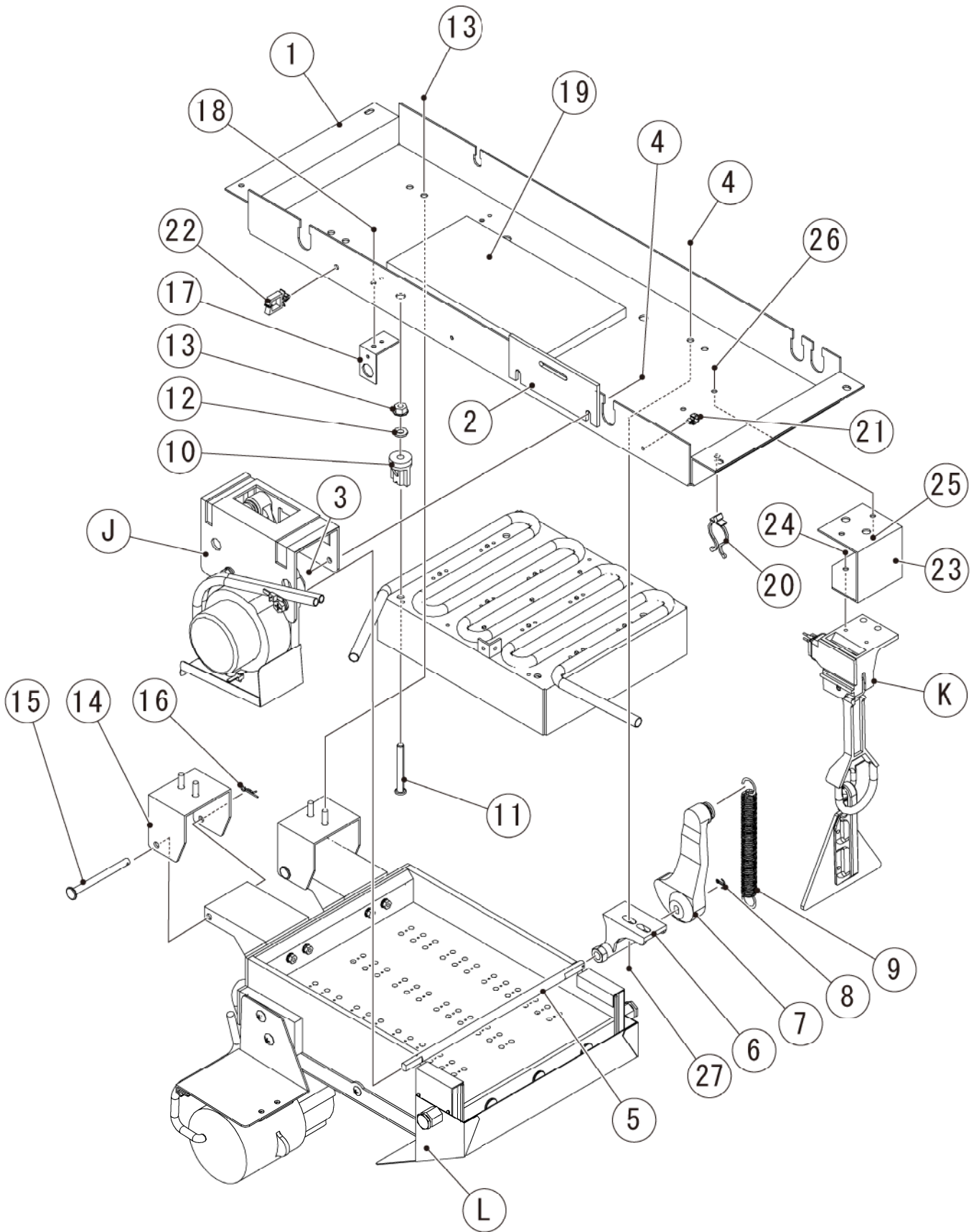
IM-65WNE (-25)

C. ICE MAKING MACHANISM ASSY (A-1) and later



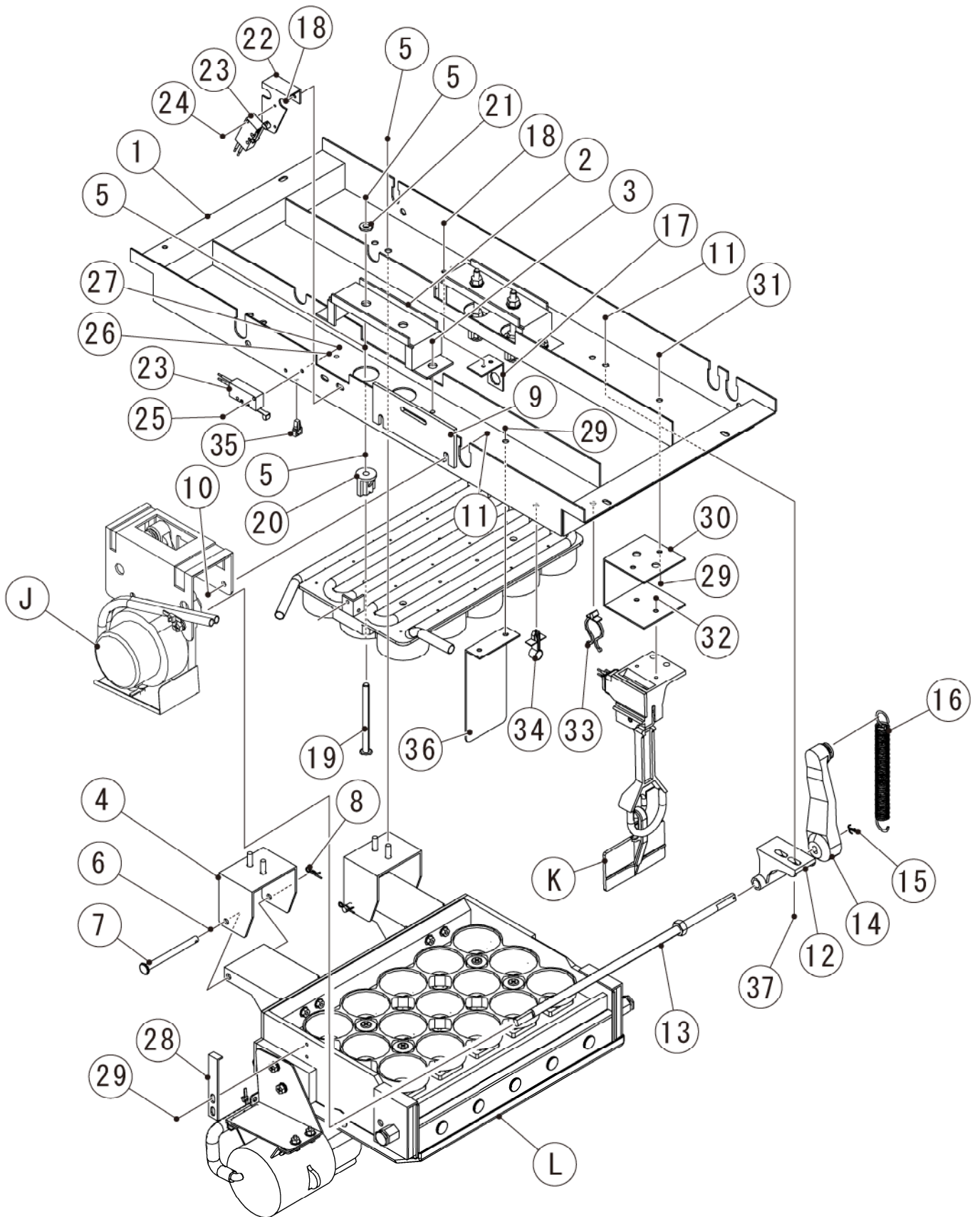
IM-65NE-LM
IM-65NE-LM103

C. ICE MAKING MACHANISM ASSY (C-0) and later



IM-65NE-Q
IM-65WNE-Q

C. ICE MAKING MACHANISM ASSY (C-0) and later



HE,KOREA

MODEL: IM-65NE-Q IM-65WNE-Q		TITLE: C.ICE MAKING MECHANISM ASSY						
INDEX NO.	DESCRIPTION	MATERIAL OR MODEL NUMBER	PART NUMBER	REQ'D NUMBER				
				C-0 D-0	D-1 E-0	E-1 G-0	G-1	G-2
J	ACTUATOR MOTOR ASSY		3Y7523A01	1	1	-	-	-
			3Y8844A01	-	-	1	1	1
K	BIN CONTROL SWITCH		3H1537A08	1	1	1	1	1
L	WATER PAN ASSY		2X1646A02	1	1	1	1	1
1	MECHANISM BASE		1H5358M01	1	1	1	1	1
2	BRACKET-EVAPORATOR		3H5000-01	2	2	2	2	2
3	HEX HEAD BOLT (SPRING WASHER AND FLAT WASHER)		FBK0512S0	4	4	4	4	4
4	BEARING-WATER PAN		3H5926G01	2	2	2	2	2
5	FLANGE NUT		FNHF06S0	16	16	16	16	16
6	FLAT WASHER		FWPL06N0	4	4	4	4	4
7	SHAFT (A)		4H1184-01	2	2	2	2	2
8	SNAP PIN		715S-0006	2	2	2	2	2
9	SPACER(C)		4Y6145P01	1	1	1	1	1
10	TRUSS HEAD SCREW		FST0516S0	2	2	2	2	2
11	FLANGE NUT		FNHF05S0	4	4	4	4	4
12	CAM SHAFT BEARING		307256-02	1	1	1	1	1
13	CAM SHAFT		4Y2372G01	1	1	1	1	1
14	CAM(B)		3H5650-01	1	1	1	1	1
15	CUTTER PIN		711S-0212	1	1	1	1	1
16	SPRING		4H0287-01	1	1	1	1	1
17	BRACKET-PIPE		4H5585-01	2	2	2	2	2
18	HEX HEAD BOLT (SPRING WASHER AND FLAT WASHER)		FBK0408S0	4	4	4	4	4
19	SCREW-EVAPORATOR MOUNTING		4H5788-01	4	4	4	4	4
20	SPACER		4H0471-01	4	4	4	4	4
21	WASHER		4H0777-01	4	4	4	4	4
22	BRACKET(A)-SW		4Y8236M01	1	1	1	1	1
23	MICRO SWITCH		456432-02	2	2	2	2	2
24	PAN HEAD MACHINE SCREW (SPRING WASHER AND FLAT WASHER)		FSK0316S0	2	2	2	2	2
25	PAN HEAD MACHINE SCREW (SPRING WASHER AND FLAT WASHER)		FSK0320S0	2	2	2	2	2
26	FLAT WASHER		FWPL03S0	2	2	2	2	2
27	NUT		FNH103S0	2	2	2	2	2

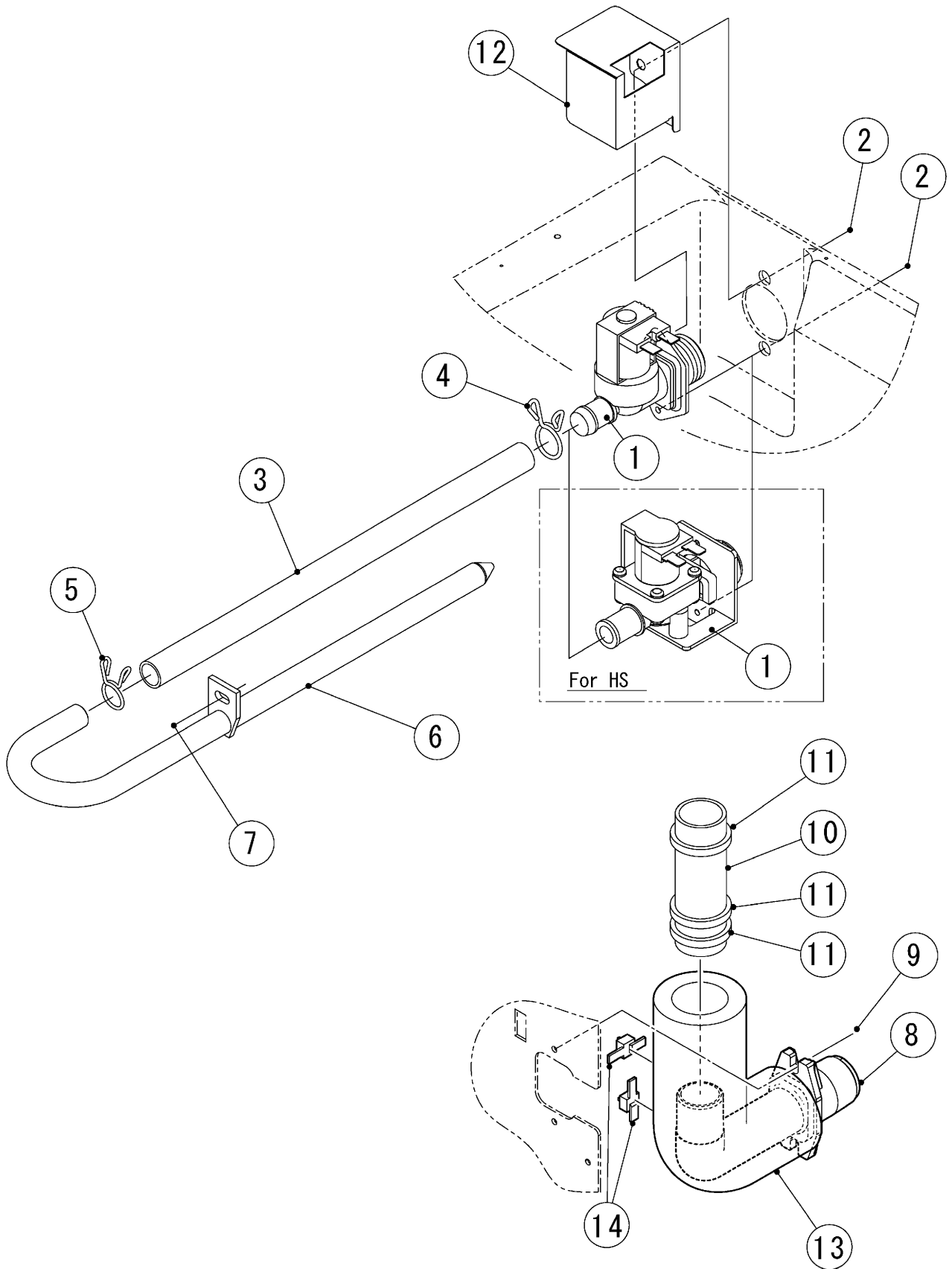
HE,KOREA,GENELAL 60Hz

MODEL: IM-65NE-Q IM-65WNE-Q		TITLE: C.ICE MAKING MECHANISM ASSY						
INDEX NO.	DESCRIPTION	MATERIAL OR MODEL NUMBER	PART NUMBER	REQ'D NUMBER				
				G-3				
J	ACTUATOR MOTOR ASSY		3Y8844A01	1				
K	BIN CONTROL SWITCH		3H1537A08	1				
L	WATER PAN ASSY		2X1646A02	1				
1	MECHANISM BASE		1H5358M01	1				
2	BRACKET-EVAPORATOR		3H5000-01	2				
3	HEX HEAD BOLT (SPRING WASHER AND FLAT WASHER)		FBK0512S0	4				
4	BEARING-WATER PAN		3H5926G01	2				
5	FLANGE NUT		FNHF06S0	16				
6	FLAT WASHER		FWPL06N0	4				
7	SHAFT (A)		4H1184-01	2				
8	SNAP PIN		715S-0006	2				
9	SPACER(C)		4Y6145P01	1				
10	TRUSS HEAD SCREW		FST0516S0	2				
11	FLANGE NUT		FNHF05S0	4				
12	CAM SHAFT BEARING		307256-02	1				
13	CAM SHAFT		4Y2372G01	1				
14	CAM(B)		3H5650-01	1				
15	CUTTER PIN		711S-0212	1				
16	SPRING		4H0287-01	1				
17	BRACKET-PIPE		4H5585-01	2				
18	HEX HEAD BOLT (SPRING WASHER AND FLAT WASHER)		FBK0408S0	4				
19	SCREW-EVAPORATOR MOUNTING		4H5788-01	4				
20	SPACER		4H0471-01	4				
21	WASHER		4H0777-01	4				
22	BRACKET(A)-SW		4Y8236M01	1				
23	MICRO SWITCH		456432-02	2				
24	PAN HEAD MACHINE SCREW (SPRING WASHER AND FLAT WASHER)		FSK0316S0	2				
25	PAN HEAD MACHINE SCREW (SPRING WASHER AND FLAT WASHER)		FSK0320S0	2				
26	FLAT WASHER		FWPL03S0	2				
27	NUT		FNH103S0	2				

IM-65NE (-25, -H, -S, -LM, -LM103, -C, -Q)
IM-65WNE (-25, -Q)

D. WATER CIRCUIT ASSY

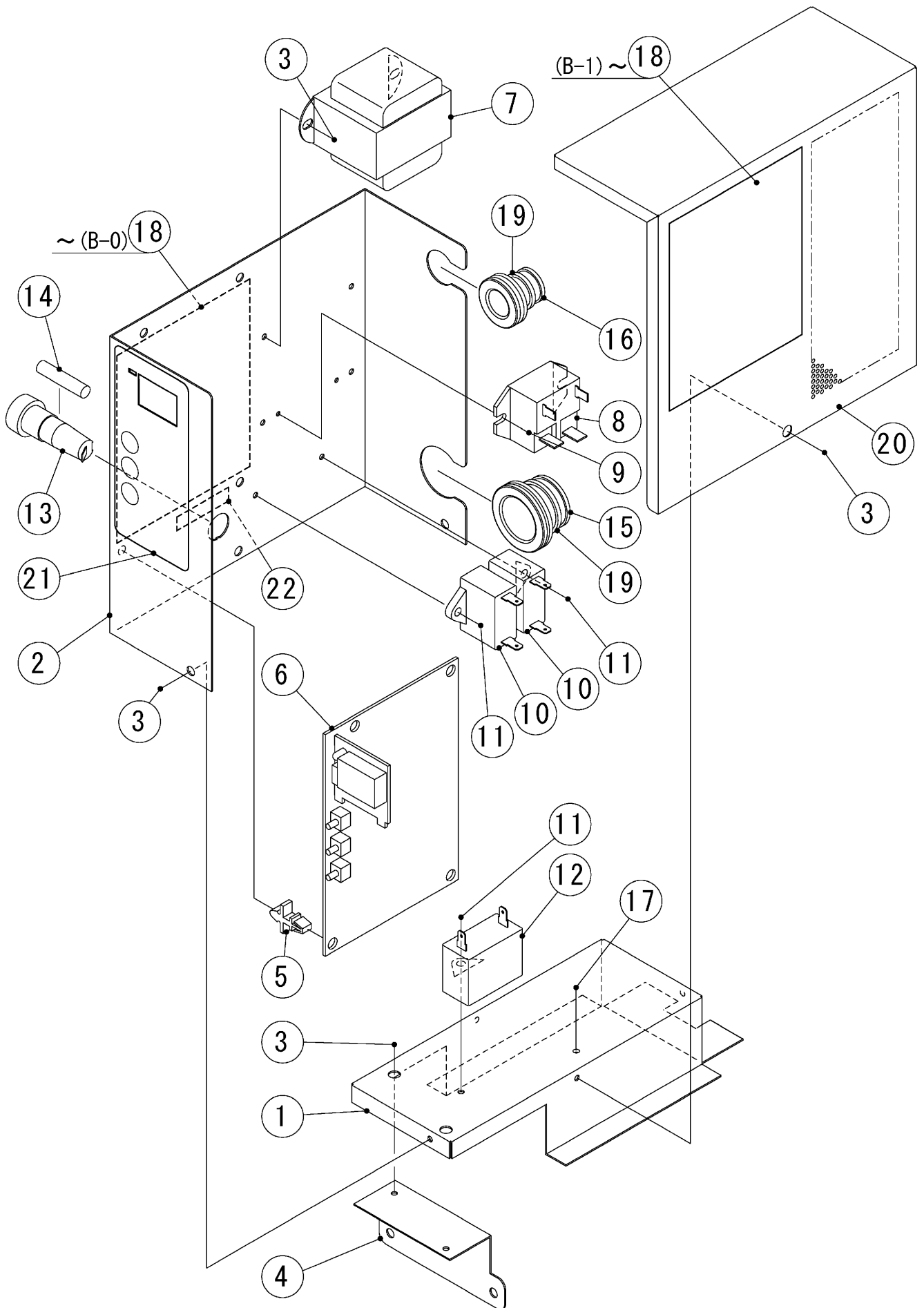
(A-1) and later



IM-65NE (-25, -H, -S, -LM, -LM103, -C, -Q)
IM-65WNE (-25, -Q)

E. CONTROL BOX ASSY

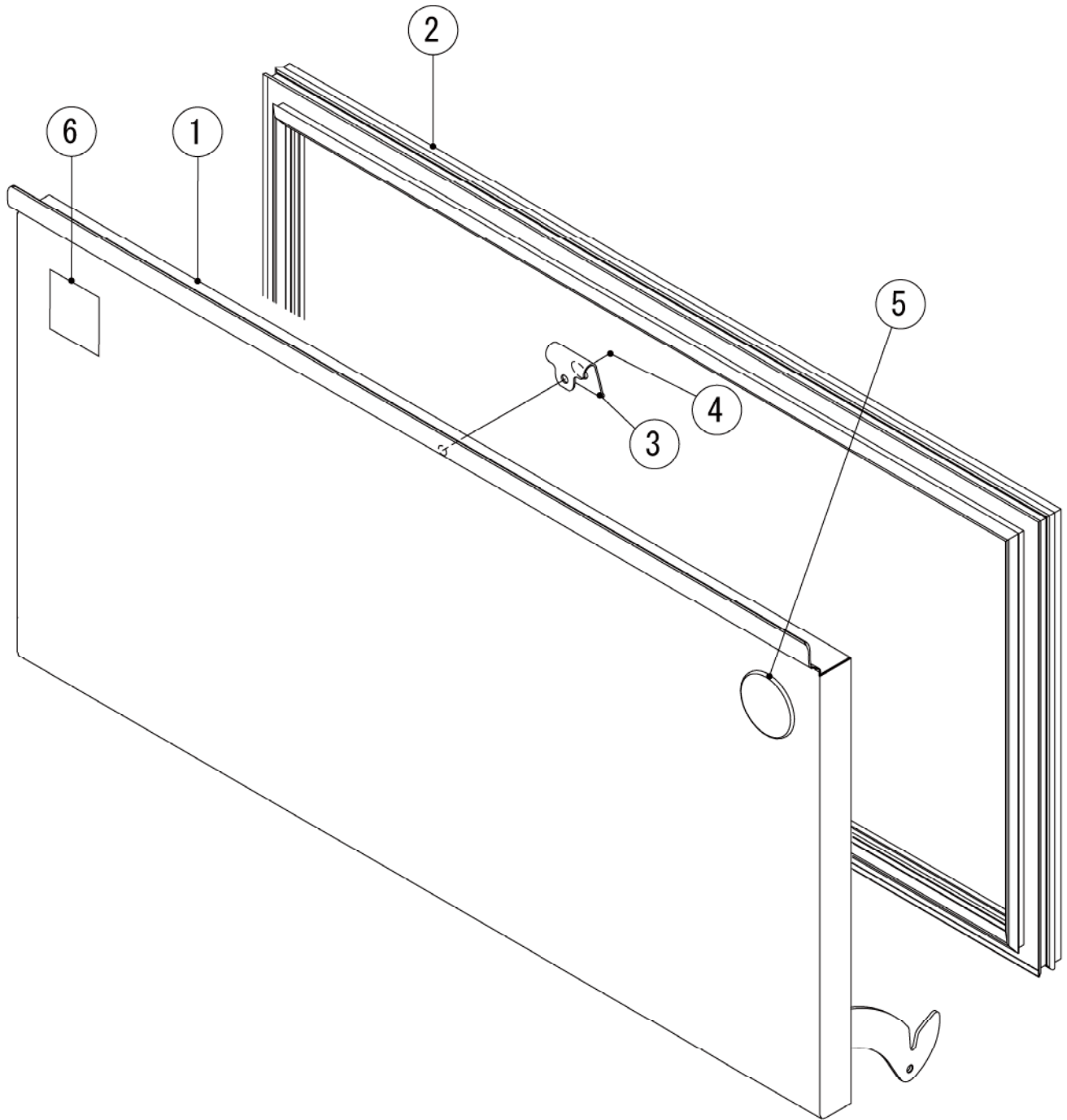
(A-1) and later



IM-65NE (-25, -H, -S, -LM, -LM103, -C, -Q)
IM-65WNE (-25, -Q)

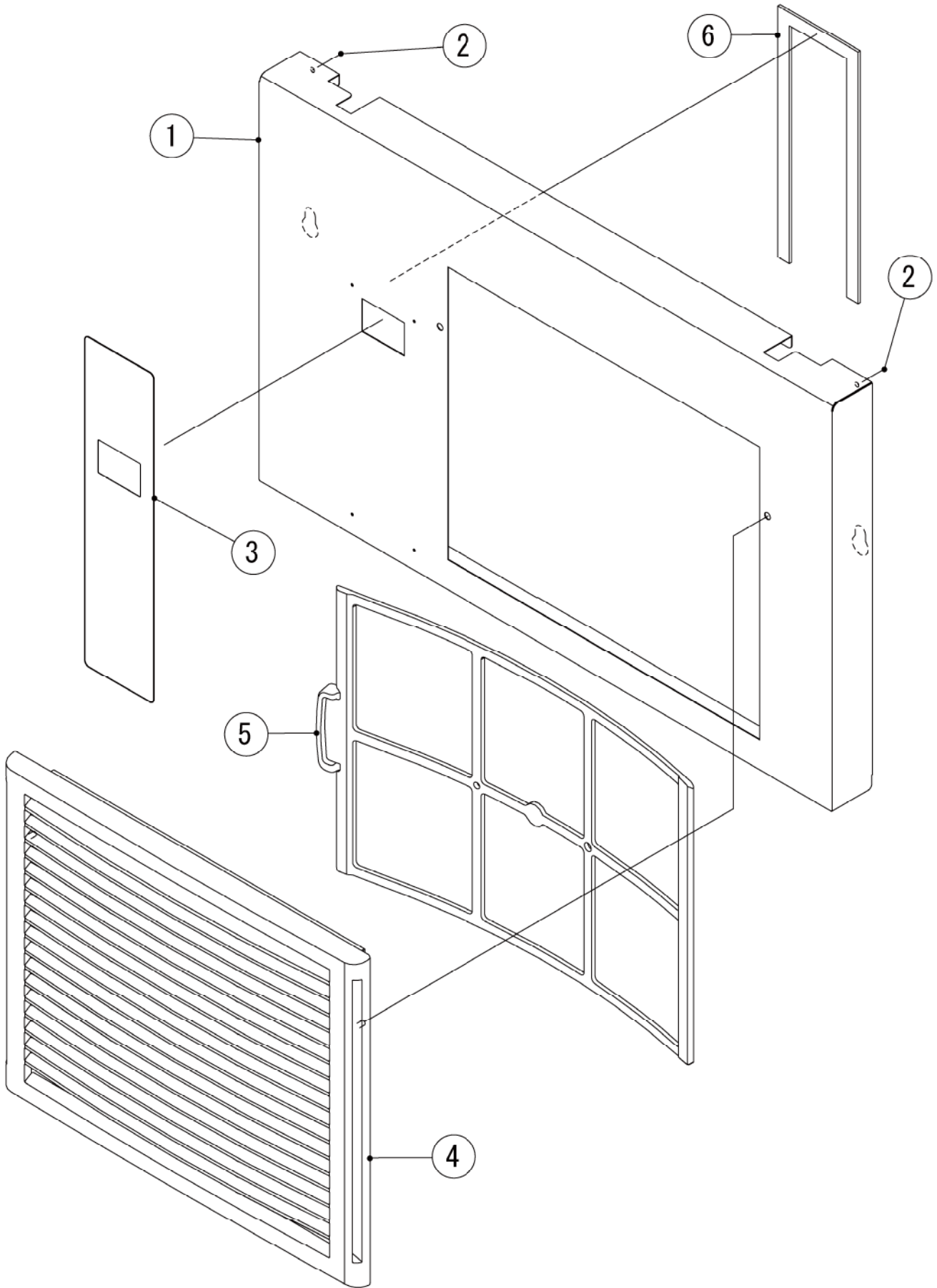
F. DOOR ASSY

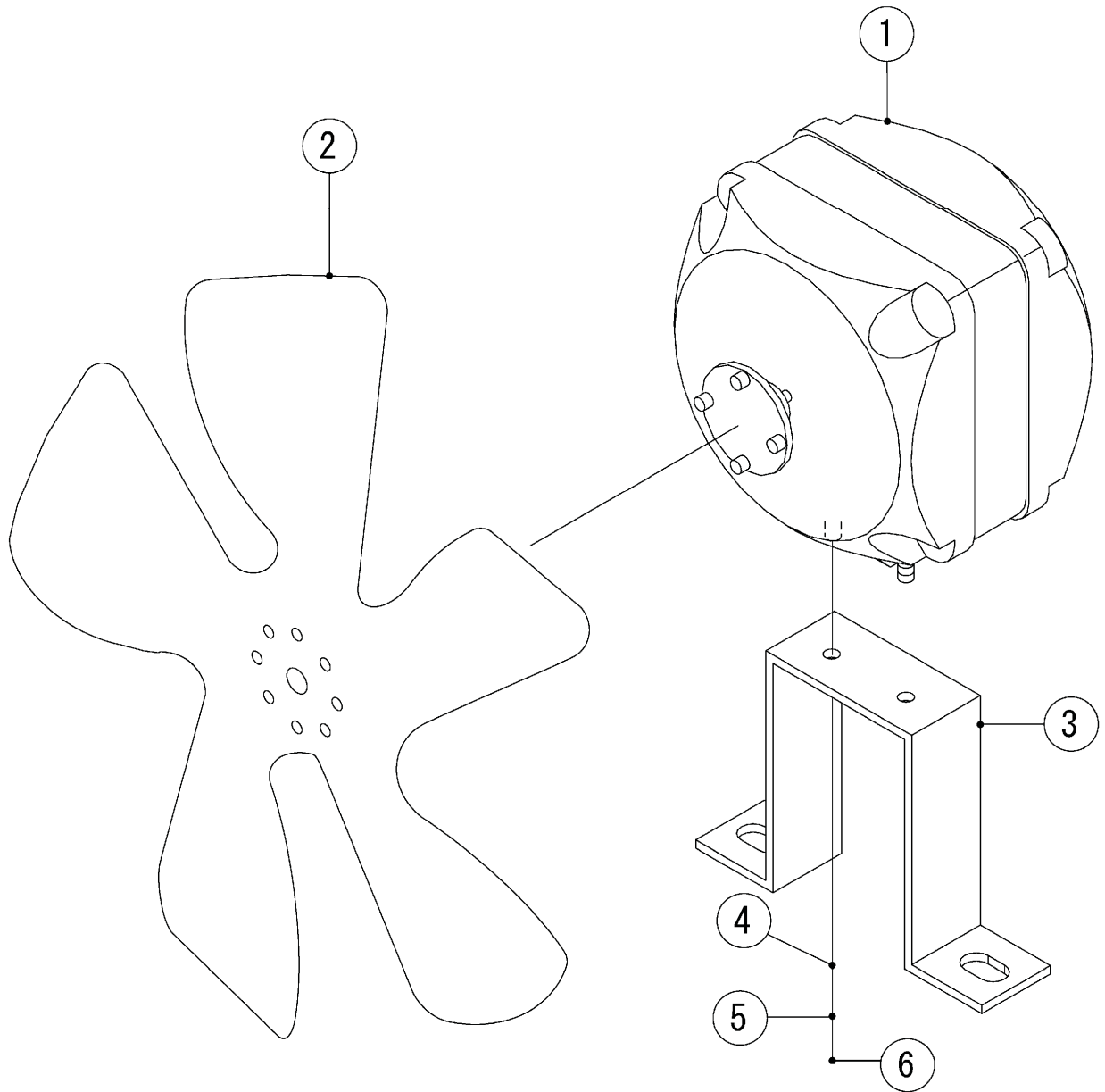
(A-1) and later



G. FRONT PANEL LOWER ASSY

(A-1) and later

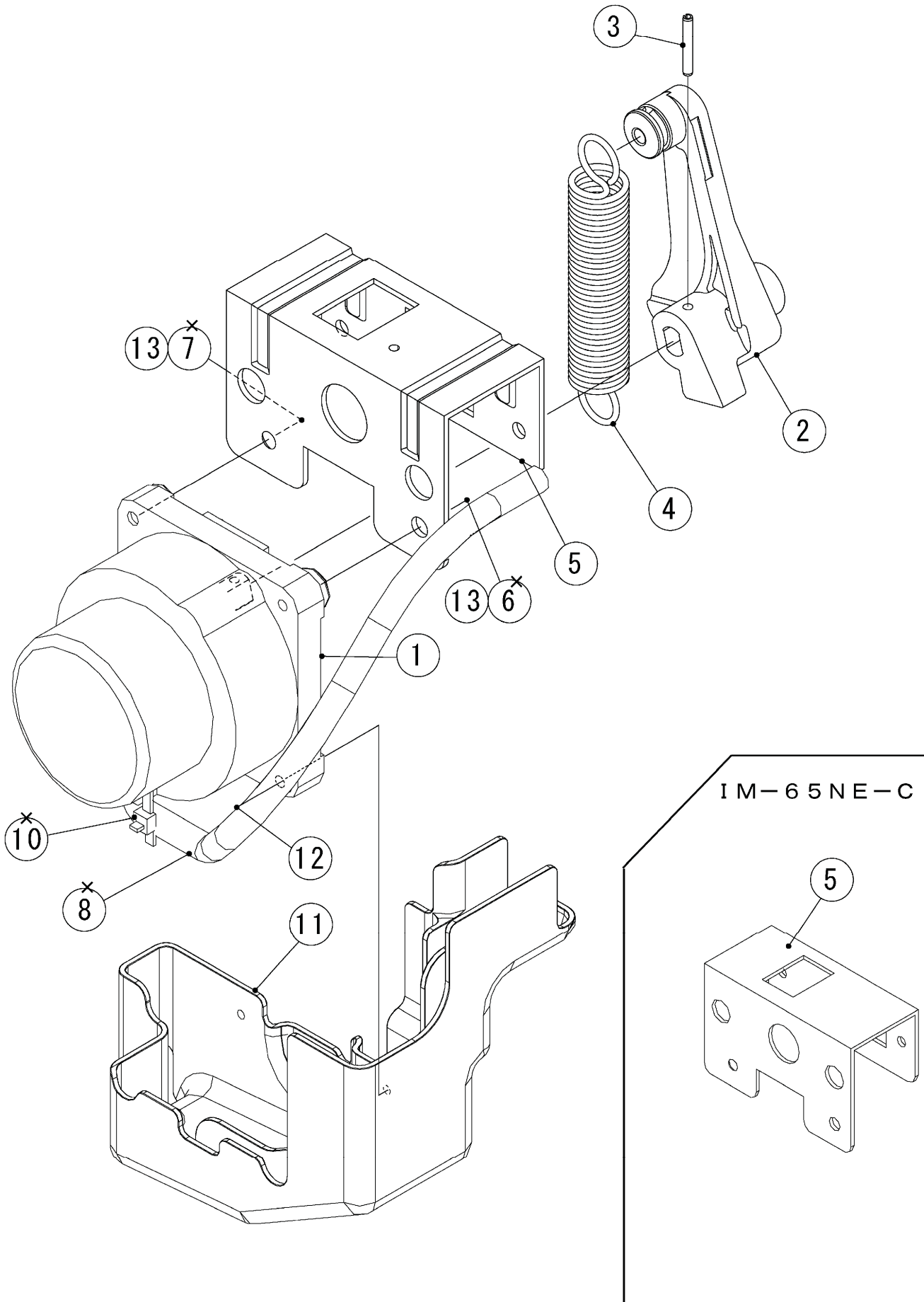




IM-65NE(-25,-H,-S,-C)
IM-65WNE(-25)

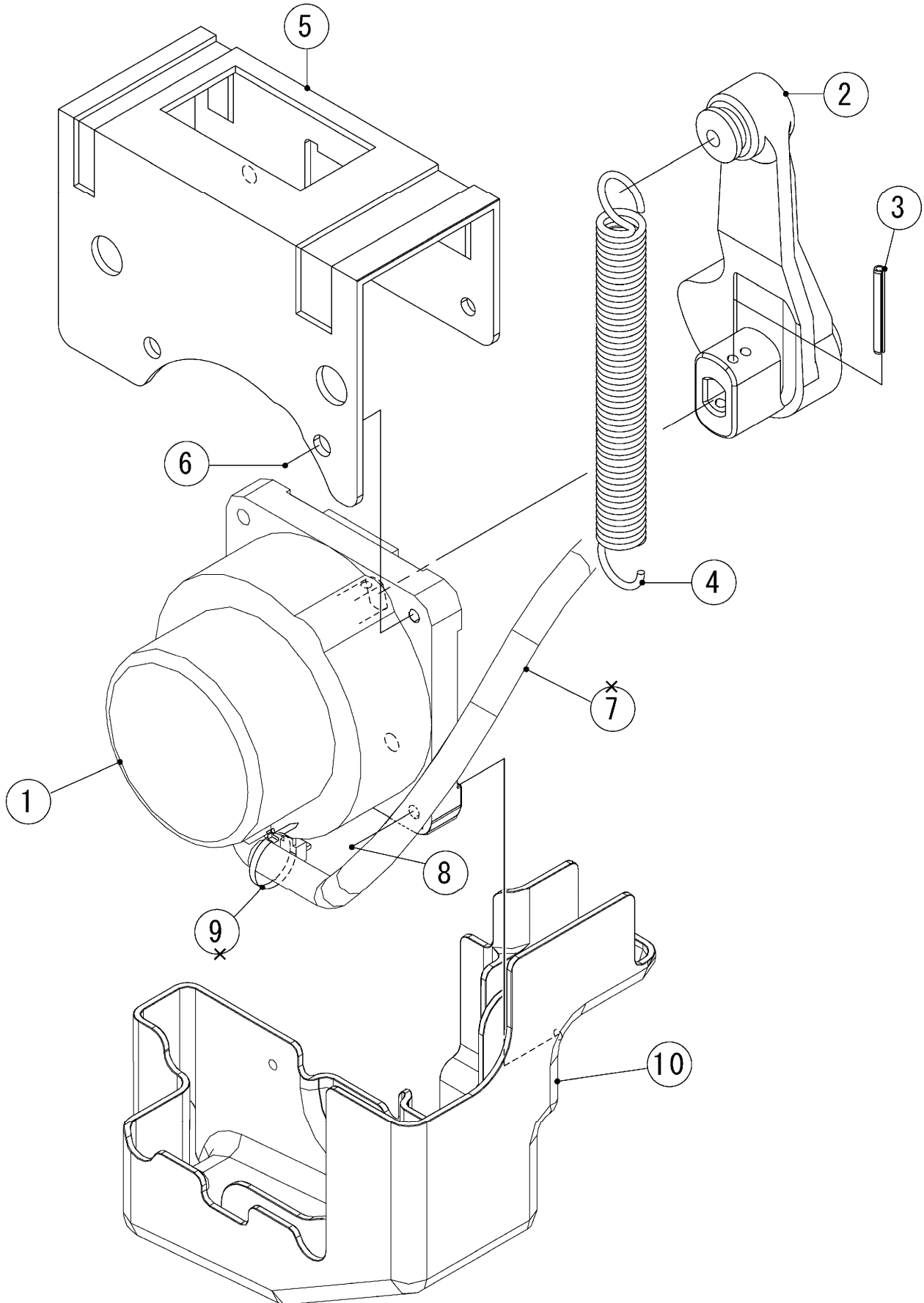
J. ACTUATOR MOTOR ASSY

(A-1) and later



IM-65NE-LM
IM-65NE-LM103

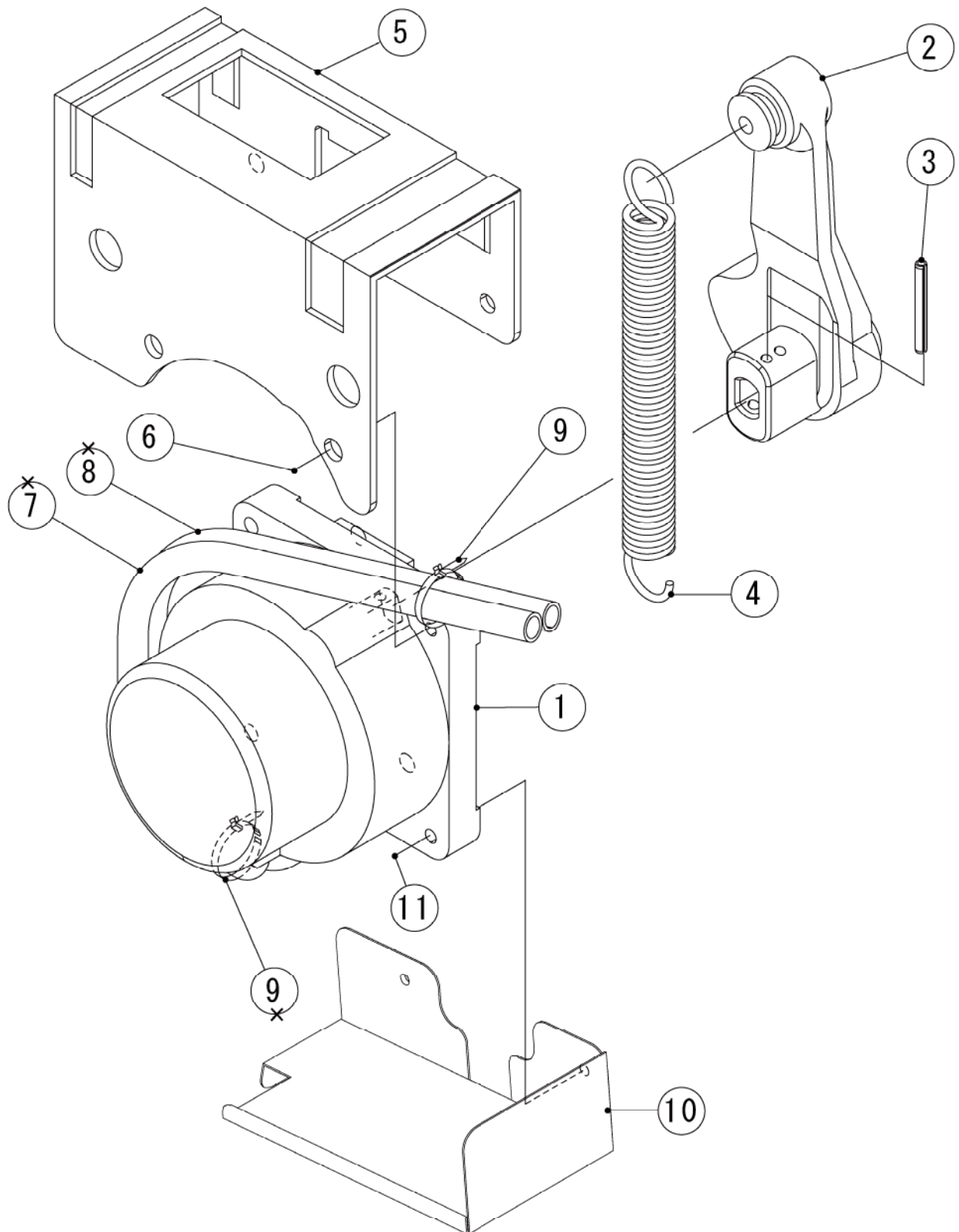
J. ACTUATOR MOTOR ASSY (B-1) and later



IM-65NE-Q
IM-65WNE-Q

J. ACTUATOR MOTOR ASSY

(C-0) and later



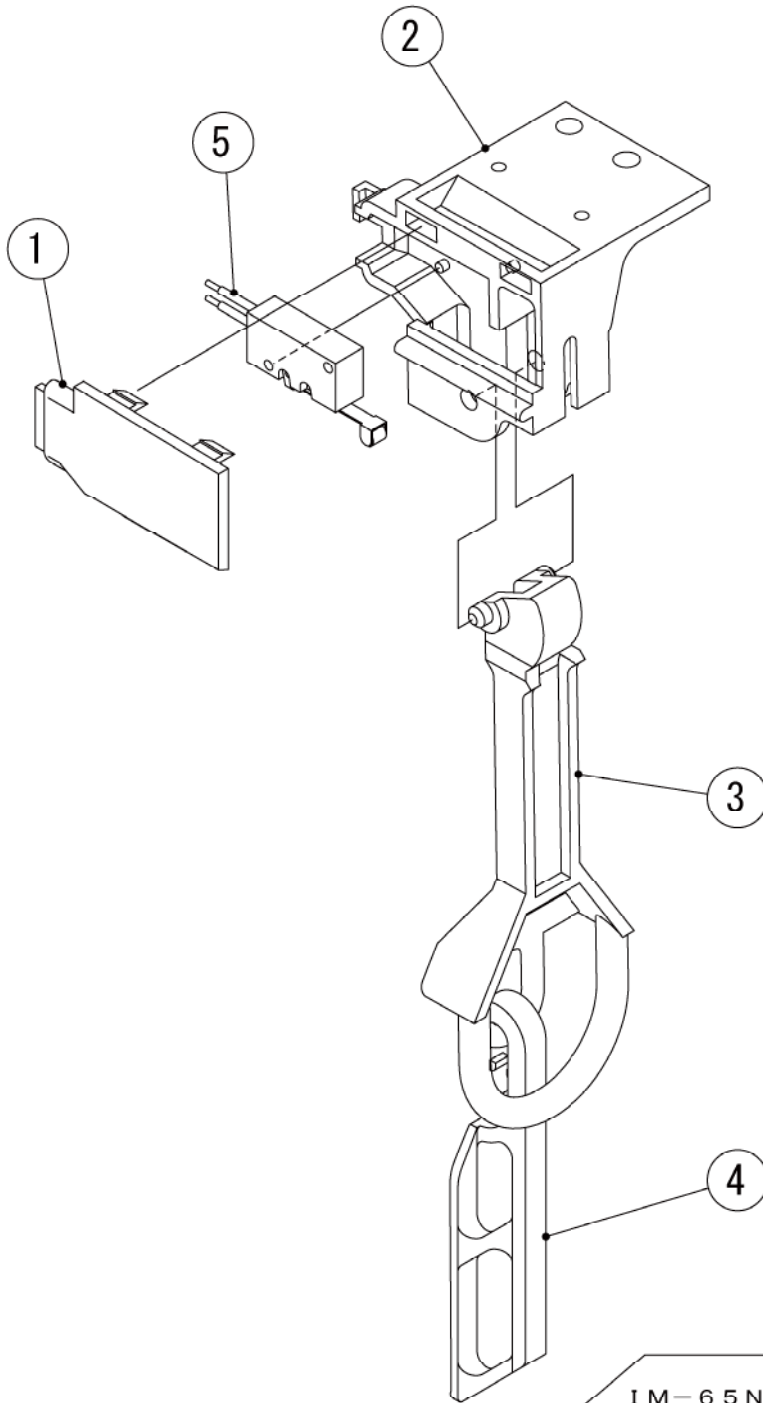
HE,KOREA

MODEL: IM-65NE-Q IM-65WNE-Q		TITLE: J.ACTUATOR MOTOR ASSY						
INDEX NO.	DESCRIPTION	MATERIAL OR MODEL NUMBER	PART NUMBER	REQ'D NUMBER				
				C-0 D-0	D-1 E-0	E-1 G-0	G-1	G-2
1	ACTUATOR MOTOR		4Y8998G01	1	1	1	1	1
2	CAM(A)		3H5648-02	1	1	1	1	1
3	SPRING PIN 3*28		712S-0328	1	1	1	1	1
4	SPRING		4H0287-01	1	1	1	1	1
5	BRACKET - AM		3Y2924M01	1	1	1	1	1
6	HEX HEAD BOLT (SPRING WASHER AND FLAT WASHER)		FBK0620S0	2	2	2	2	2
7	TUBE - SILICONE		4Y6751Z02	1	1	-	-	-
8	TUBE - SILICONE		4X8017-07	1	1	-	-	-
9	TIE		7920-0003	2	2	1	1	1
10	COVER - AM		3Y7525M01	1	1	1	1	1
11	HEX HEAD BOLT (SPRING WASHER AND FLAT WASHER)		FBK0416S0	2	2	2	2	2
	—							

IM-65NE (-25, -H, -S, -LM, -LM103, -C, -Q)
IM-65WNE (-25, -Q)

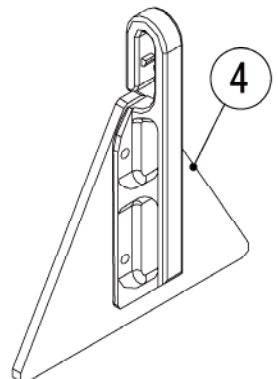
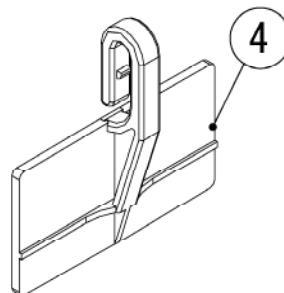
K. BIN CONTROL SWITCH

(A-1) and later



IM-65NE-Q
IM-65WNE-Q

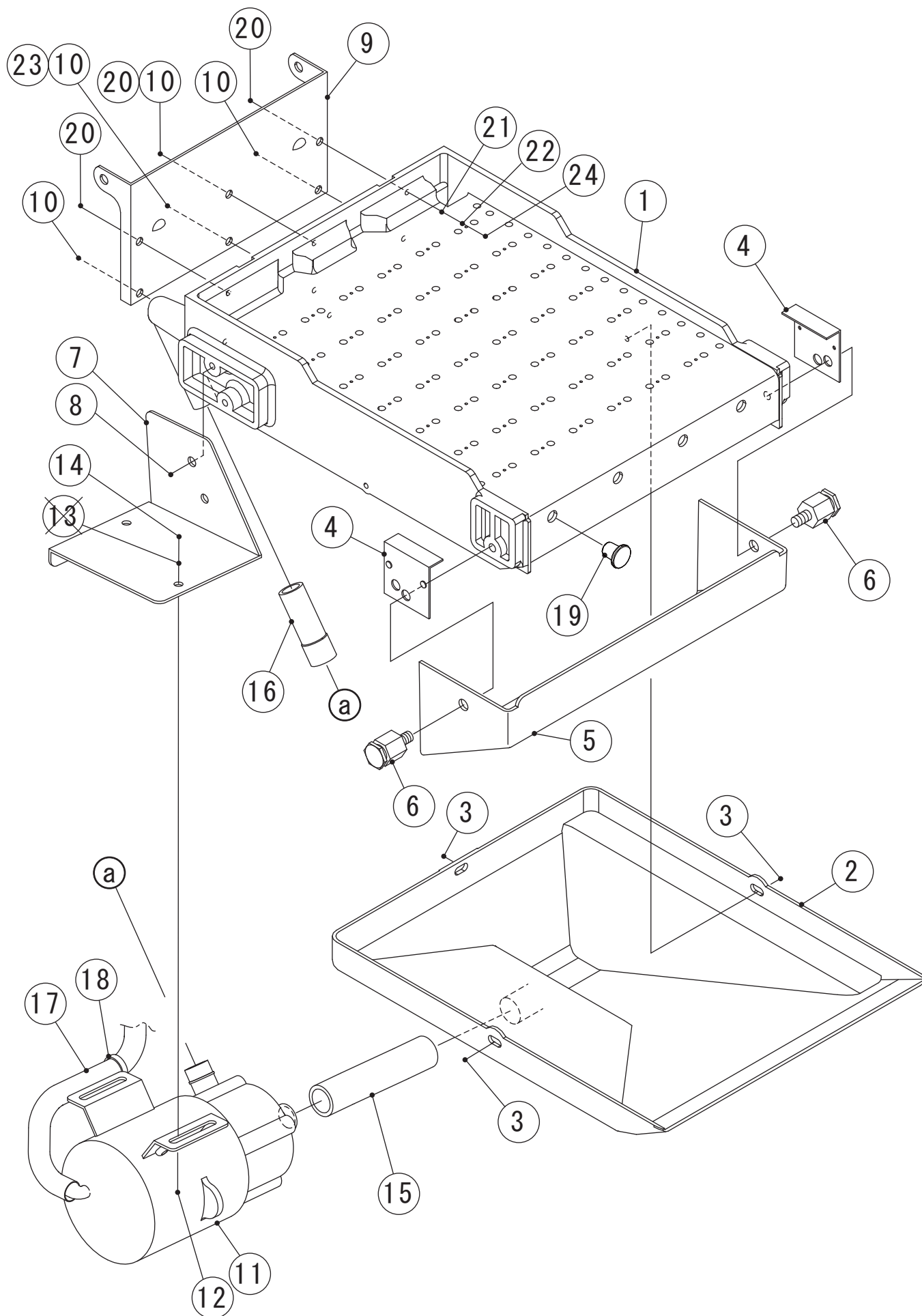
IM-65NE-LM
IM-65NE-LM103



IM-65NE(-25,-H,-S,-C)
IM-65WNE(-25)

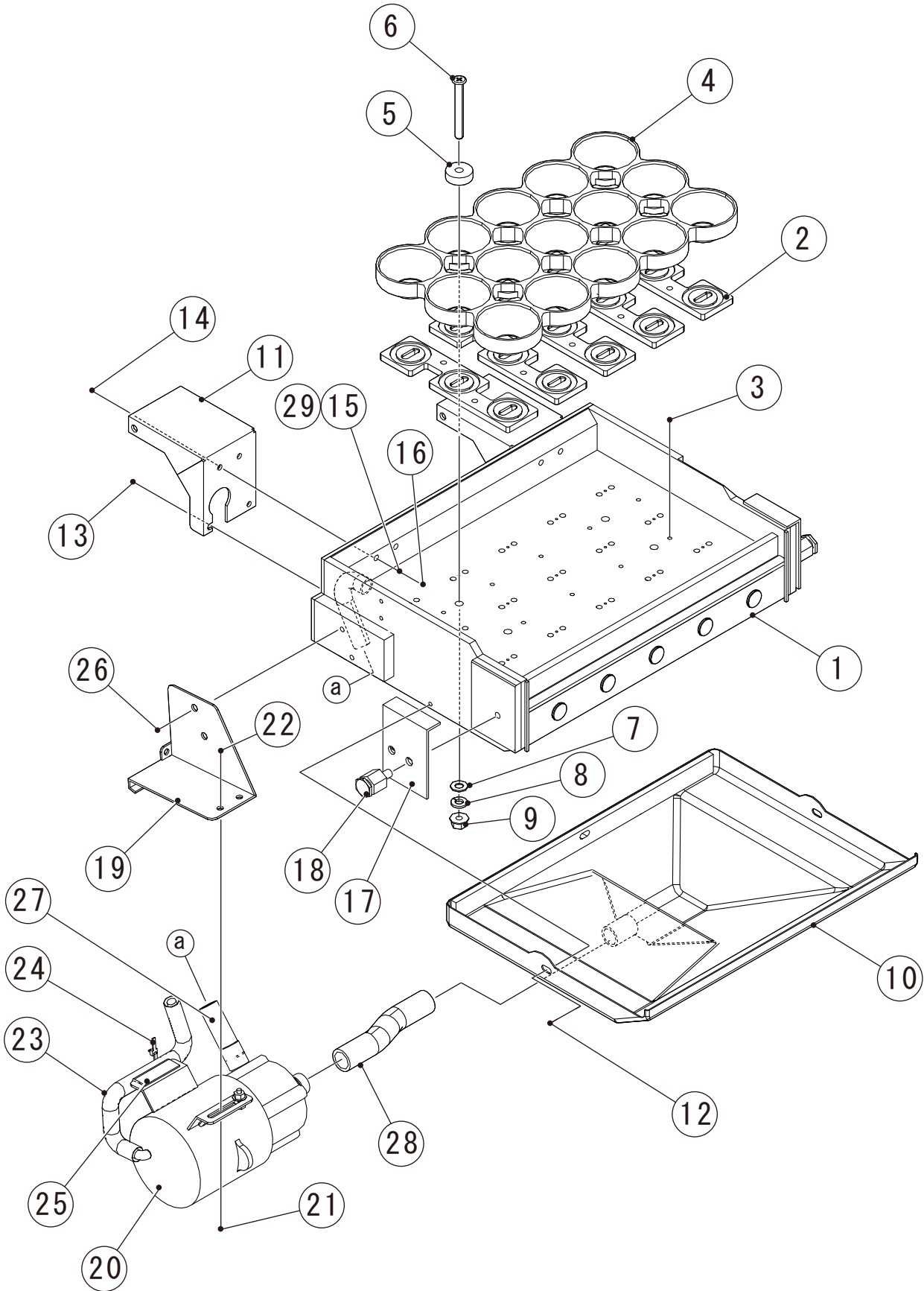
L. WATER PAN ASSY

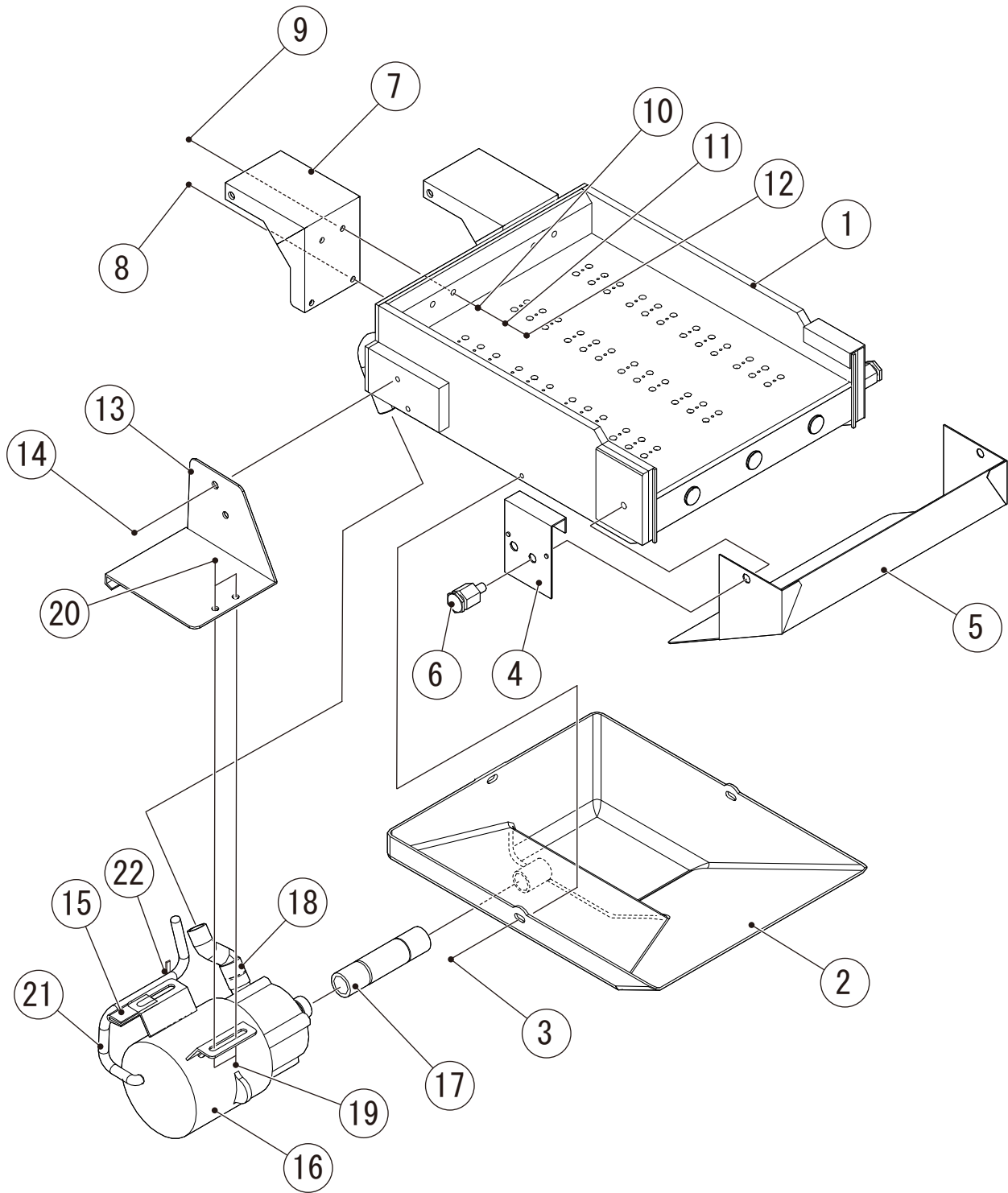
(A-1) and later



HE,GRAM,HS

MODEL: IM-65NE(-25,-H,-S,-C) IM-65WNE(-25)		TITLE: L.WATER PAN ASSY						
INDEX NO.	DESCRIPTION	MATERIAL OR MODEL NUMBER	PART NUMBER	REQ'D NUMBER				
				A-1 B-0	B-1,C-0 D-0	D-1 E-0	E-1 G-0	G-1
1	WATER PLATE		2H0598G02	1	1	1	1	1
	WATER PAN	(65NE-H,-S)	1H0545G01	-	1	1	1	1
	WATER PLATE	(65NE-C)	1H4748G01	-	1	1	1	1
	WATER PLATE	(65NE-25)(65WNE-25)	2H0598G03	1	1	1	1	1
2	WATER TANK		2H1459-02	1	1	1	1	1
3	TRUSS HEAD TAPPING SCREW T2		FT20408M0	3	3	3	3	3
	TRUSS HEAD SCREW	(65NE-H,-S,-C)	FST0408S0	-	3	3	3	3
4	PLATE - LUBRICATION		4H0448-01	2	2	2	2	2
5	DRAIN GUIDE		3H5521-01	1	1	1	1	1
	GUIDE - DRAIN	(65NE-H,-S)	3H0785G01	-	1	1	1	1
		(65NE-C)	3Y5392M01	-	1	1	1	1
6	SCREW SPRING HOOK		4H2582G01	2	2	2	2	2
7	BRACKET - PUMP MOTOR		4Y7294M01	1	1	1	1	1
8	TRUSS HEAD TAPPING SCREW T2	(65NE,-25)(65WNE,-25)	FT20512M0	2	2	2	2	2
	TRUSS HEAD SCREW	(65NE-H,-S,-C)	FST0512S0	2	2	2	2	2
9	BRACKET - WATER PAN		4H2643-02	1	1	1	1	1
	BRACKET - WP	(65NE-C)	4Y6937M01	-	1	1	1	1
10	TRUSS HEAD TAPPING SCREW T2	(65NE,-25)(65WNE,-25)	FT20412M0	4	4	4	4	4
11	PUMP MOTOR		P04155-01	1	1	1	1	1
12	HEX HEAD BOLT (SPRING WASHER AND FLAT WASHER)		FBK0412S0	2	2	2	2	2
	HEX HEAD BOLT	(65NE-C)	FBH0412S0	-	2	2	2	2
13	FLAT WASHER		FWPL04S0	-	-	-	-	-
14	FLANGE NUT		FNHF04S0	2	2	2	2	2
15	SUCTION TUBING		4H1922-02	1	1	1	1	1
16	DISCHARGE TUBING		4H1982-01	1	1	1	1	1
17	TUBE - SILICONE	EXCEPT(65NE-C)	4Y6751Z03	1	1	1	1	1
18	TIE	CV-70	7920-0001	1	1	1	1	1
19	PLUG - CLEANING (C)	(65NE-H,-S)	414061-01	-	4	4	4	4
20	TRUSS HEAD MACHINE SCREW	(65NE-H,-S,-C)	FST0420S0	-	3	3	3	3
21	FLAT WASHER	(65NE-H,-S)	FWPL04S0	-	2	2	2	2
		(65NE-C)		-	5	5	3	3
22	SPRING WASHER	(65NE-H,-S)	FWSP04S0	-	2	2	2	2
		(65NE-C)		-	3	3	3	3
23	TRUSS HEAD SCREW	(65NE-C)	FSP0416S0	-	1	1	1	1
24	NUT	(65NE-H,-S)	FNH104S0	-	2	2	2	2
		(65NE-C)		-	3	3	3	3





IM-65NE (-25, -H, -S, -LM, -LM103, -C, -Q)
IM-65WNE (-25, -Q)

M. ACCESSORIES

(A-1) and later

