



---

SELF-CONTAINED CUBER

## PARTS LIST

[HE] [GENERAL(60Hz)] [KOREA(60Hz)] [HS]

E1FE-D010,D011,D012,D015,D021,D022,D026

B-1 SEP. 2012

G-1 APR. 2017

G-2 - - (only 100NE)

G-3 NOV.2017

IM-100CNE  
IM-100CNE-23  
IM-100CNE-21  
IM-100CNE(KR)  
IM-100CNE-21(KR)  
IM-100CNE(HS)

## List of Specifications

IM-100CNE	E1FE-D010	Standard
IM-100CNE-23	E1FE-D011	23mm ICE of IM-100CNE
IM-100CNE-21	E1FE-D012	21mm ICE of IM-100CNE
IM-100CNE	E1FE-D015	GENERAL 230V, 60Hz
IM-100CNE(KR)	E1FE-D021	For KOREA 220V, 60Hz
IM-100CNE-21(KR)	E1FE-D022	21mm ICE of IM-100CNE for KOREA 220V 60Hz
IM-100CNE(HS)	E1FE-D026	For Singapore special water valve

## AUXILIARY CODE

U - 1

The auxiliary code is the first two characters in the serial number. The first character indicates the production year. Years progress or regress in alphabetical order. The series of letters and skipped letters depend on UL listing, production, and model. See the auxiliary code(s) and corresponding year(s) on the front cover.

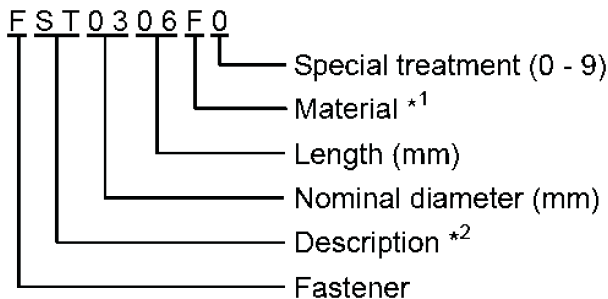
The second character indicates significant part changes within the same year. Base is "1" and this number advances for each change. If there is no significant part change at the turn of the year, this number starts from "0."

## MARKS LOCATED UNDER THE AUXILIARY CODE

- = Part deleted.
- x = Part deleted and replaced by "o" part.
- o = New part in place of "x" part.

## FASTENER PART NUMBER

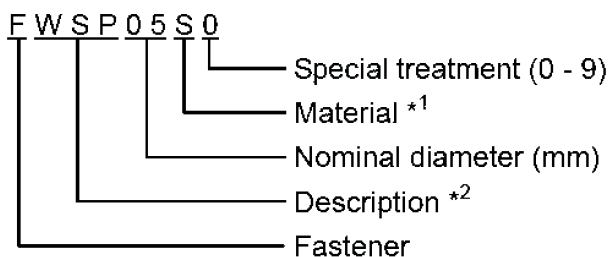
### SCREWS



\*<sup>1</sup> Material

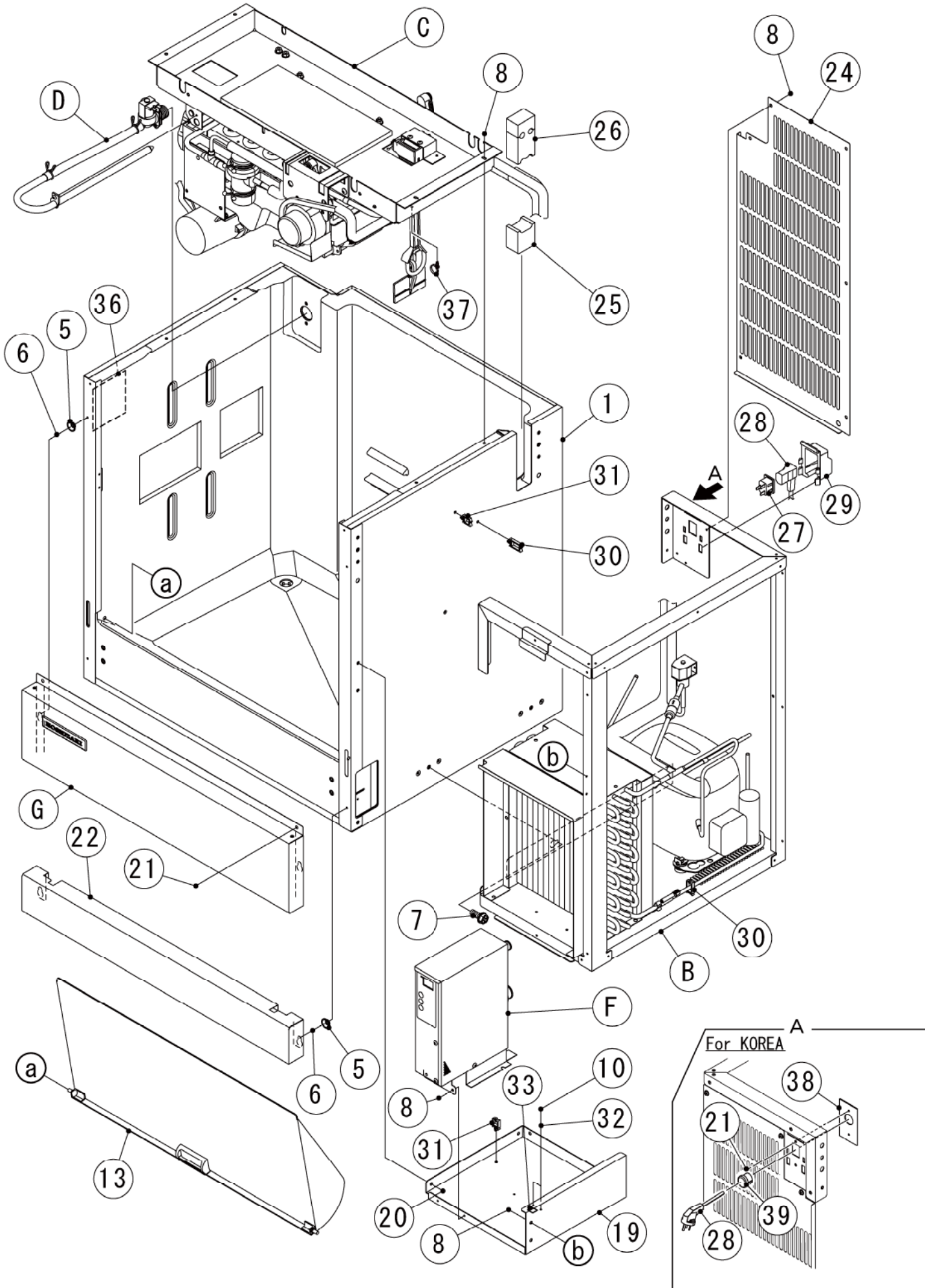
- F: Steel
- S: Austenitic stainless steel
- M: Martensitic stainless steel
- B: Copper alloy
- P: Polycarbonate
- N: Polyamide
- V: PVC
- A: ABS
- X: Polyacetal
- L: Aluminum

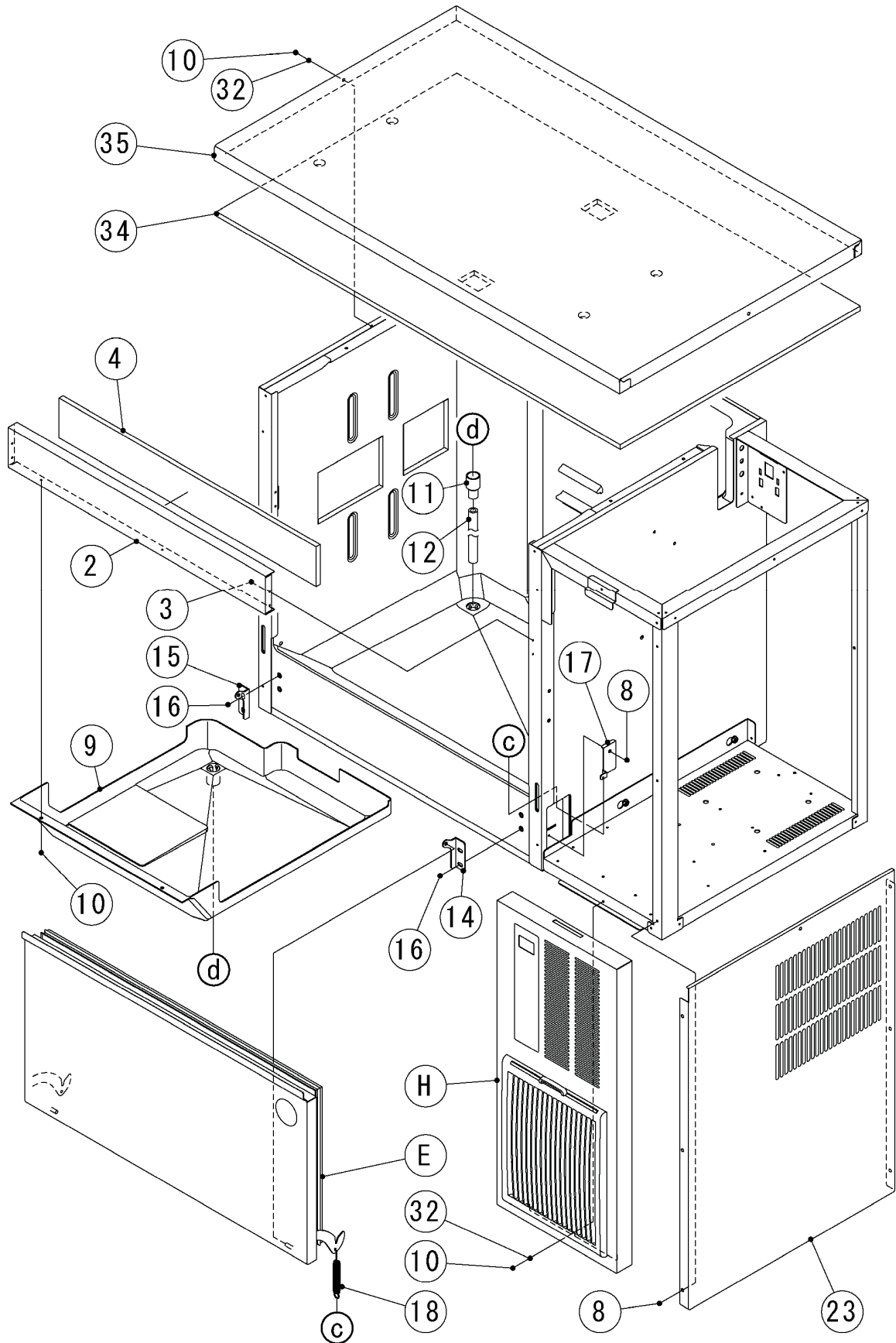
### NUTS & WASHERS



\*<sup>2</sup> Description

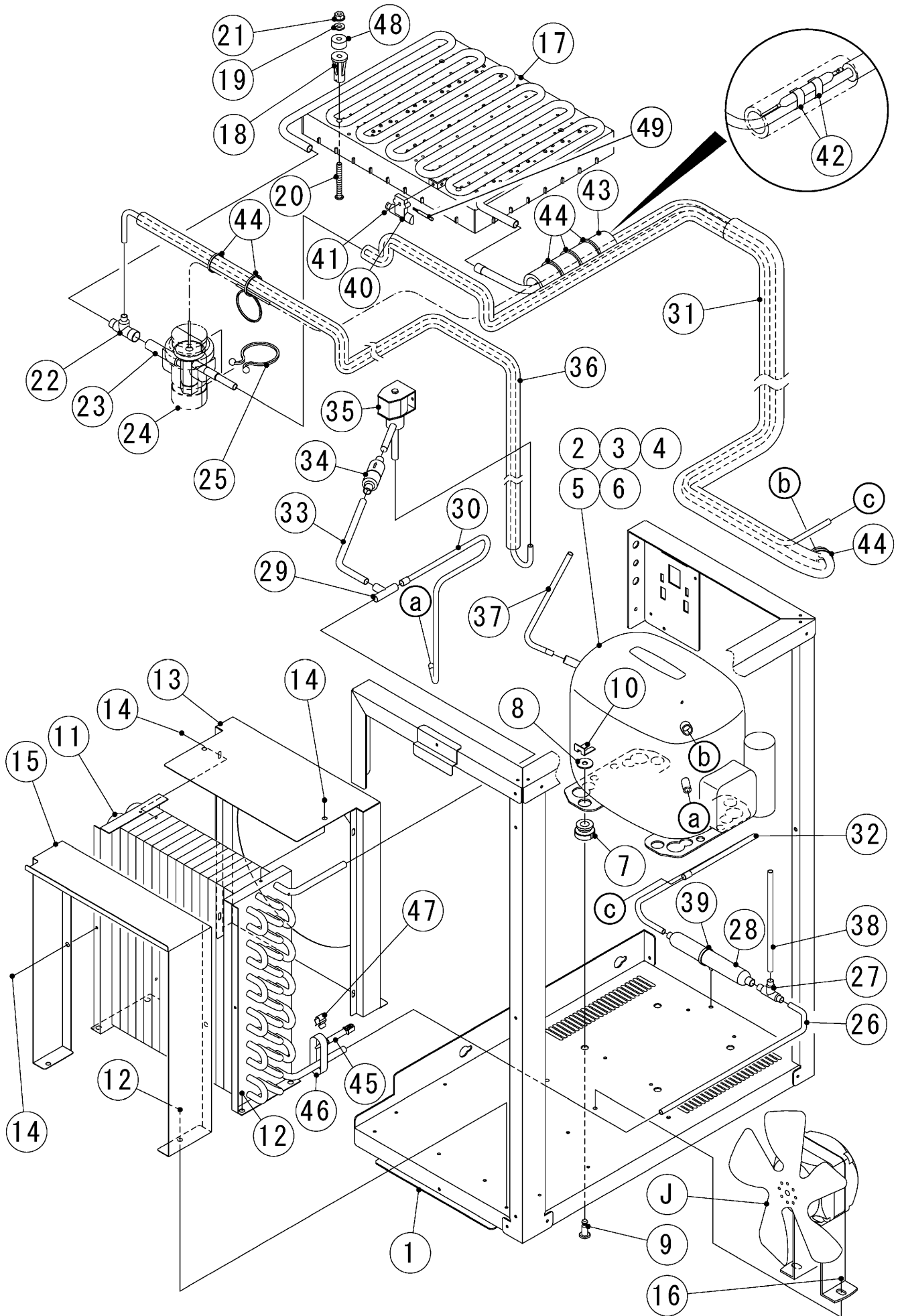
- First letter
- S: Machine screw
- T: Tapping screw
- M: Wood screw
- B: Bolt
- W: Washer
- N: Nut





MODEL: <b>IM-100CNE(-23,-21)</b>				TITLE: <b>A.ICE CUBBER ASSY</b>			
INDEX NO.	DESCRIPTION	MATERIAL OR MODEL NUMBER	PART NUMBER	REQ'D NUMBER			
				B-1 G-0	G-1 G-2	G-3	
B	REFRIGERATION ASSY		1H5198A01	1	1	-	
			1H6007A01	-	-	1	
		IM-100CNE-21,-23	1H5198A01	1	1	1	
C	MECHANISM ASSY		2X1206A01	1	1	1	
D	WATER CIRCUIT ASSY		2X1210A01	1	1	1	
E	DOOR ASSY		3Y5436A03	1	1	1	
F	CONTROL BOX ASSY		2X2519A01	1	1	-	
			2X3409A01	-	-	1	
		IM-100CNE-21,-23	2X2519A01	1	1	1	
G	FRONT COVER UPPER ASSY		3Y6321A01	1	1	1	
H	FRONT COVER(R) ASSY		3Y6324A01	1	1	1	
1	BODY		1H5055G01	1	1	1	
2	FRONT FRAME		3Y6326M01	1	1	1	
3	RIVET	SSD42SSBS(t1.6 ~ 3.2)	7170-0002	4	4	4	
4	INSULATION - FRONT FRAME		4Y7624P01	1	1	1	
5	TAPER COLLAR		4H0171-01	4	4	4	
6	RIVET	SSD42BS	7170-0001	4	4	4	
7	TAPPING SCREW - HEX		442040-01	4	4	4	
8	Flange Bolt (C-TITE)		FTR0408M0	19	19	19	
9	DRAIN PAN		2H6143G01	1	1	1	
10	S-TITE TRUSS HEAD SCREW		FTS0408M0	7	7	7	
11	DRAIN TUBE		4H2585-01	1	1	1	
12	DRAIN PIPE		4Y7493P03	1	1	1	
13	SLOPE		3H2978G01	1	1	1	
14	HINGE (RIGHT)		4H2583-01	1	1	1	
15	HINGE (LEFT)		4H2584-01	1	1	1	
16	HEX HEAD BOLT (SPRING WASHER AND FLAT WASHER)		FBK0616S0	4	4	4	
17	BRACKET - SPRING		4Y7620M01	1	1	1	
18	SPRING		4X5209-01	1	1	1	
19	PLATE - FRAME		2X0948M01	1	1	1	
20	T2 TRUSS HEAD SCREW		FT20408F0	2	2	2	
21	TRUSS HEAD SCREW		FST0408S0	2	2	2	
		(KR)		-	-	4	
22	FRONT COVER LOWER		3Y6322G01	1	1	1	



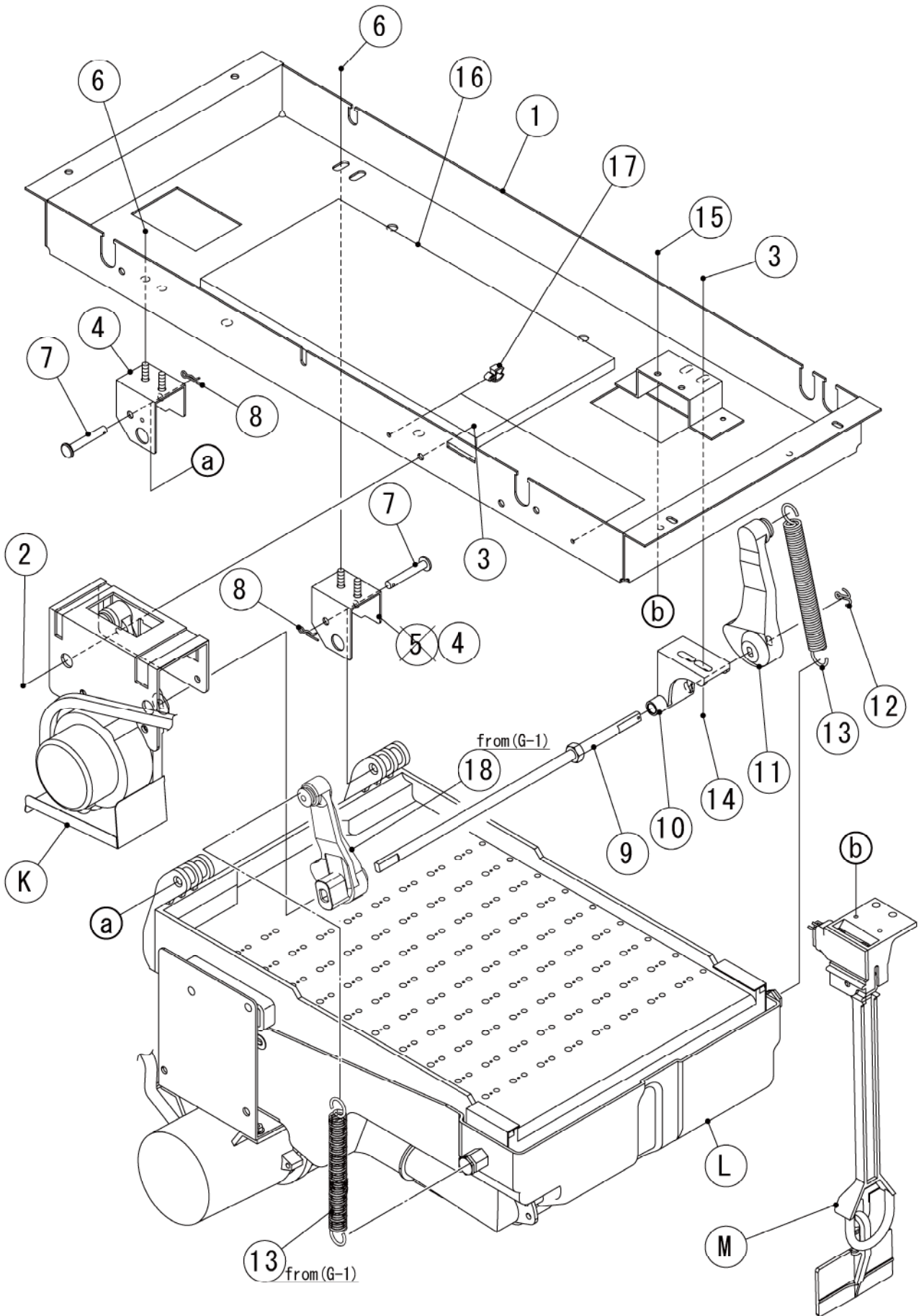




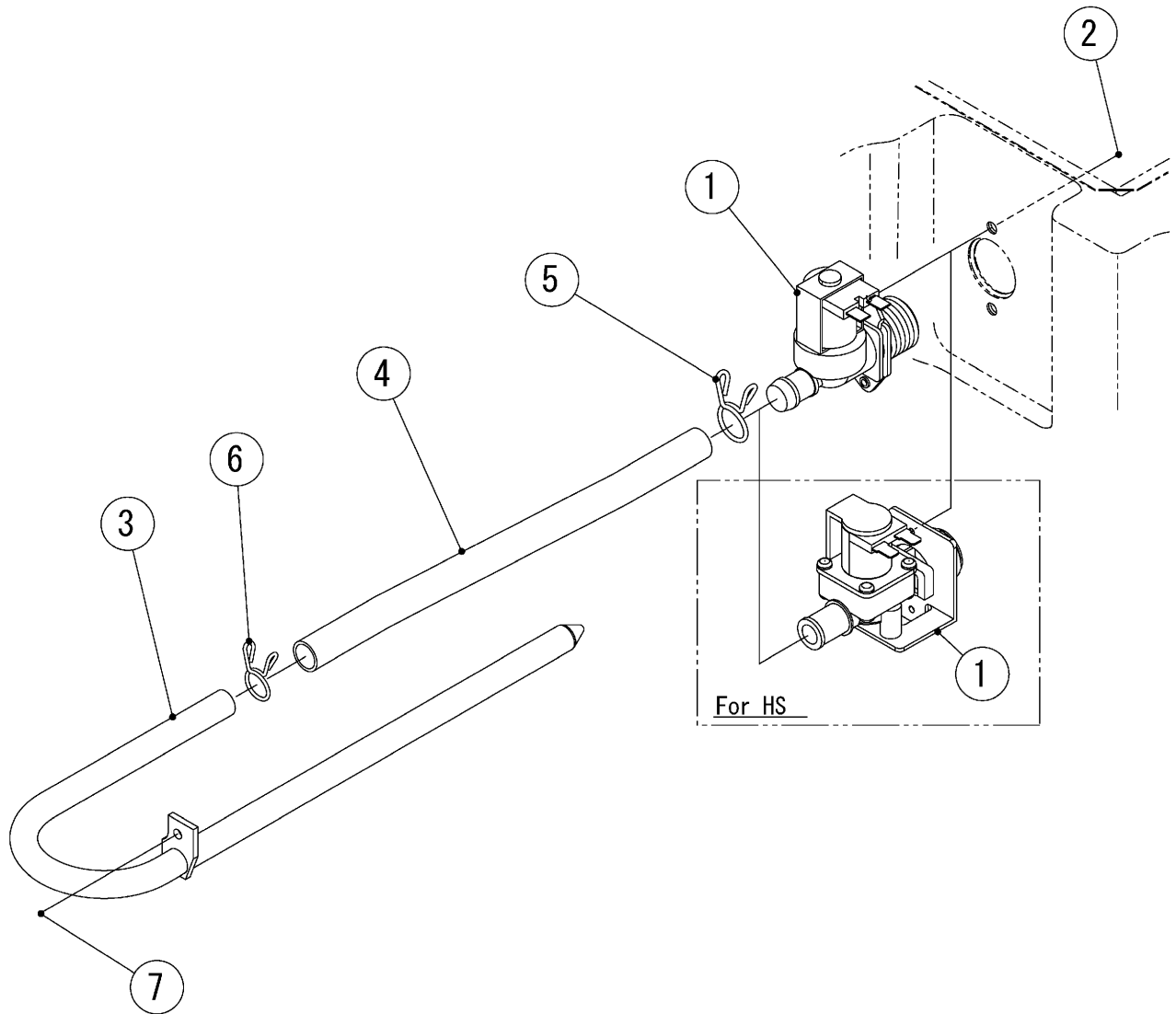
HE, General 60Hz, KOREA 60Hz, HS

MODEL: <b>IM-100CNE(-23,-21)</b>				TITLE: <b>B.REFRIGERATION ASSY</b>			
INDEX NO.	DESCRIPTION	MATERIAL OR MODEL NUMBER	PART NUMBER	REQ'D NUMBER			
				B-1 G-0	G-1 G-2	G-3	
J	FAN MOTOR ASSY		3Y6055A01	1	1	1	
1	UNIT FRAME G		2X1207G01	1	1	1	
2	COMPRESSOR		452236-01	1	1	1	
3	STARTING RELAY		452237-01	1	1	1	
4	START CAPACITOR		456350-01	1	1	1	
5	CORD RELIEF		452239-01	1	1	1	
6	COVER		459924-01	1	1	1	
7	GROMMET		450897-01	4	4	4	
8	WASHER CUSHION		450894-01	4	4	4	
9	STEEL PIN		452255-01	4	4	4	
10	CLIP		452256-01	4	4	4	
11	CONDENSER - AIR COOLED		P03374-01	1	1	1	
12	Flange Bolt (C-TITE)		FTR0408M0	6	6	6	
13	SHROUD(A)		2X0938M01	1	1	1	
14	T2 TRUSS HEAD SCREW		FT20408F0	8	8	8	
15	SHROUD(B)		3Y6296M01	1	1	1	
16	HEX HEAD BOLT		FBK0612S0	2	2	2	
	(SPRING WASHER AND FLAT WASHER)						
17	EVAPORATOR		2H6438G03	1	1	-	
			2X2463G01	-	-	1	
	EVAPORATOR 23MM	IM-100CNE-23	2H1836G01	1	1	1	
	EVAPORATOR 21MM	IM-100CNE-21	2H0716G02	1	1	1	
18	COLLAR		3H3879-01	4	4	4	
19	WASHER		4H0777-01	4	4	4	
20	SCREW EVAPORATOR		4Y4922M02	4	4	4	
		IM-100CNE-23,-21	4Y4922M03	4	4	4	
21	FLANGE NUT		FNHF06S0	4	4	4	
22	TEE	IM-100CNE,-23	420335-01	1	1	1	
23	EXPANSION VALVE		P00650-01	1	1	1	
24	VALVE COVER		3Y3051P01	1	1	1	
25	CLAMP		P00752-01	2	2	2	
26	COPPER TUBE(B) - HIGH SIDE		4Y7588M01	1	1	1	
27	TEE		456655-01	1	1	1	
28	DRIER		458776-01	1	1	1	
29	TEE		420041-11	1	1	1	

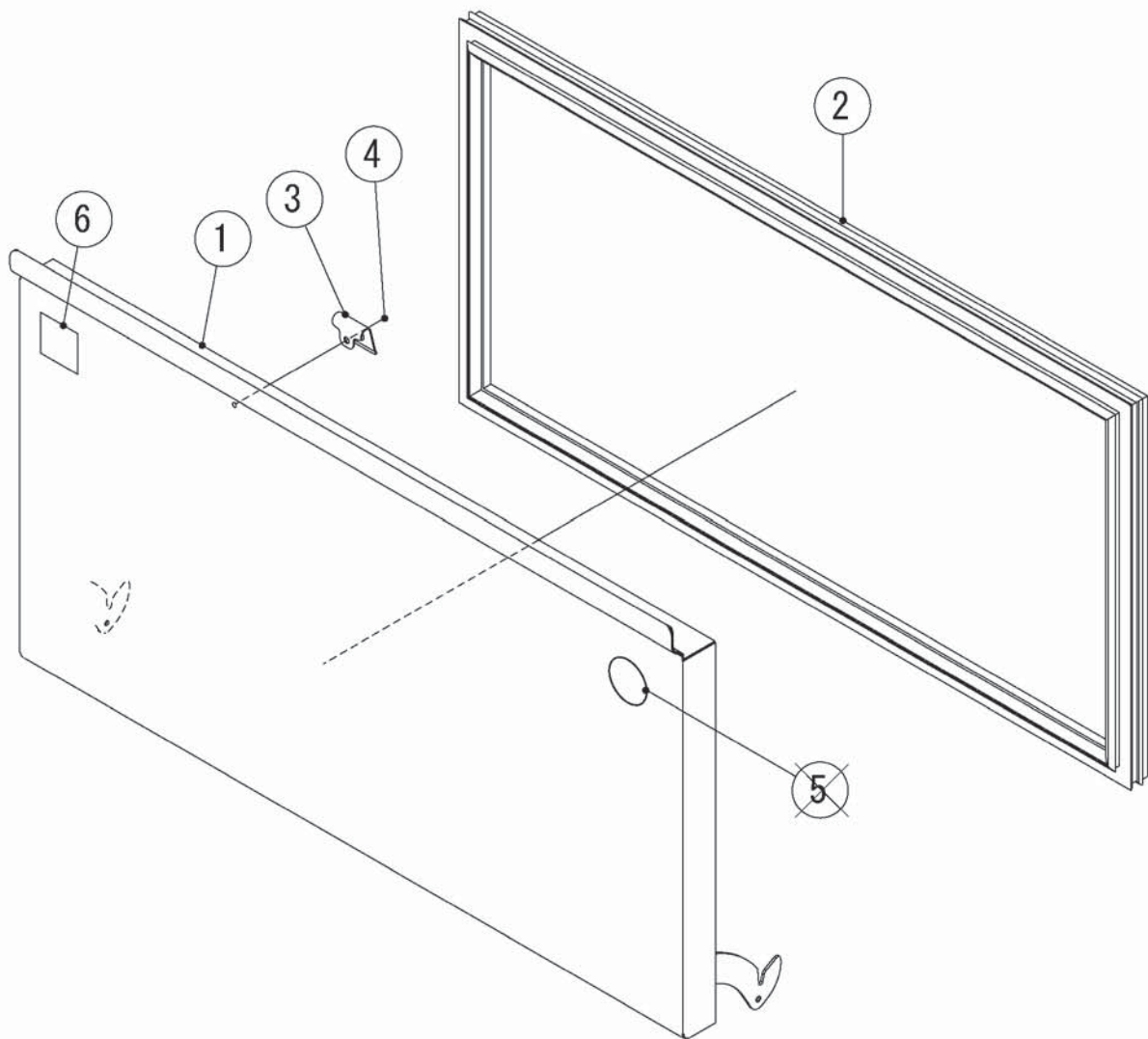






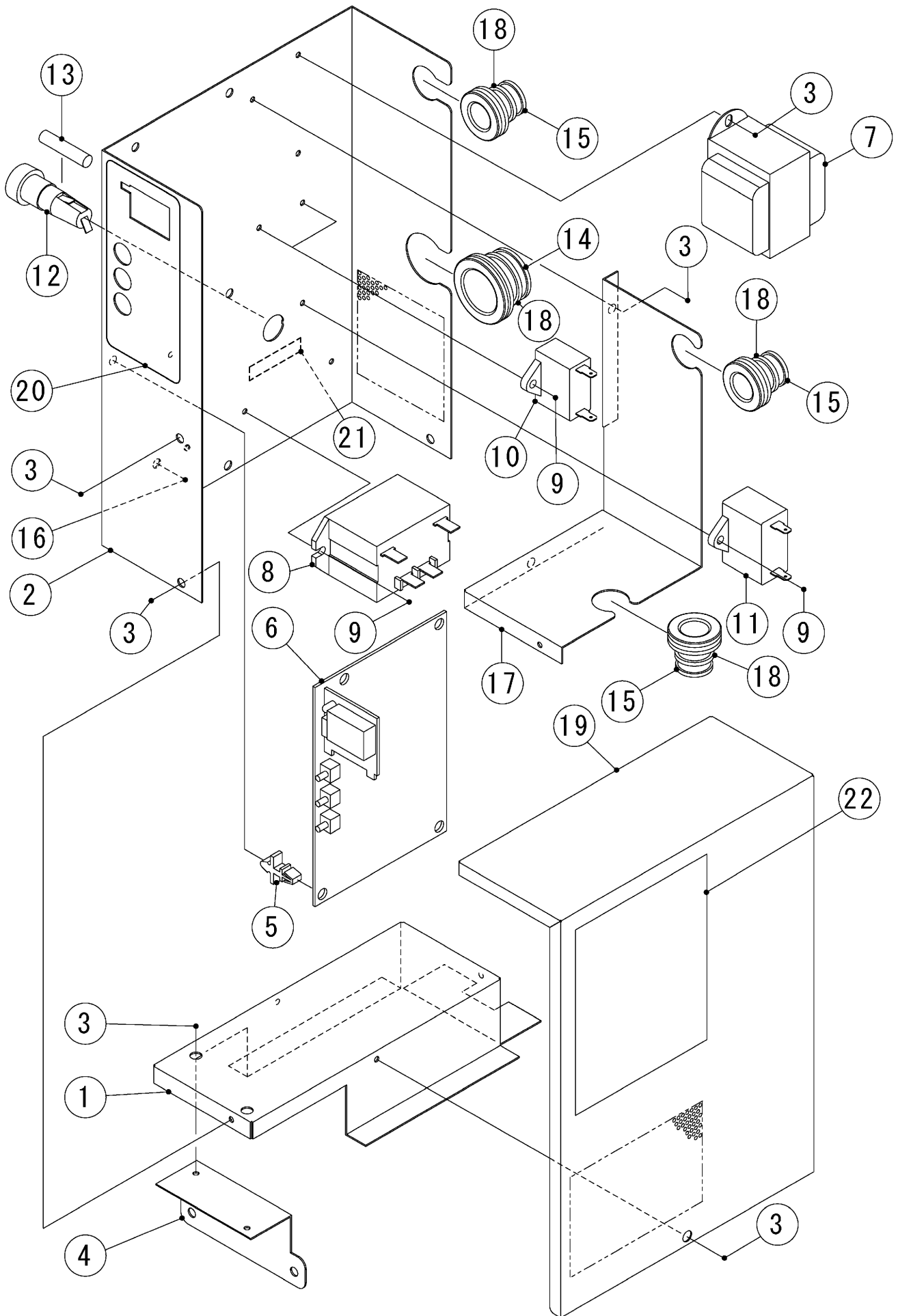










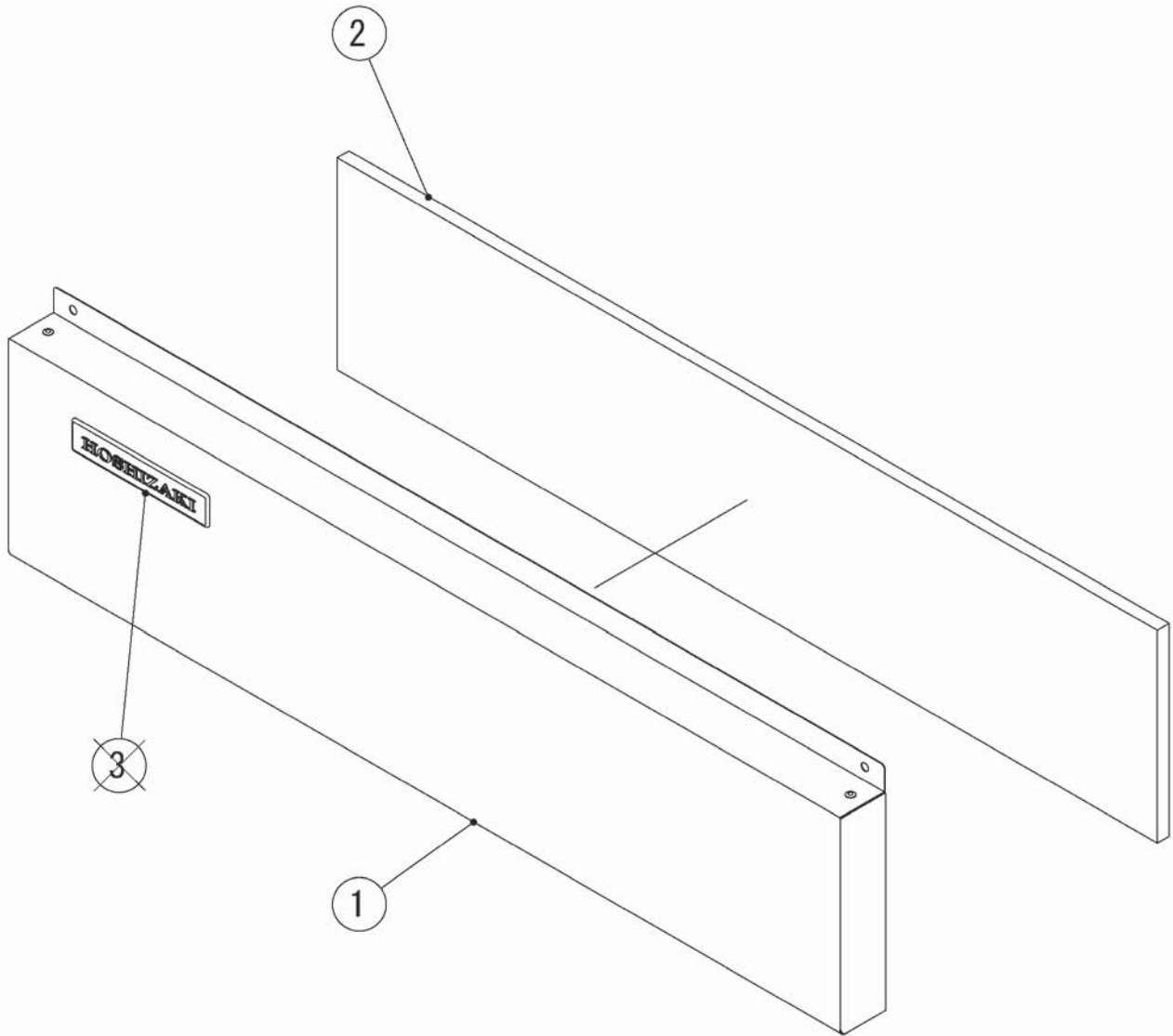




IM-100CNE (-23, -21)

G. FRONT COVER UPPER ASSY (B-1) and later

---

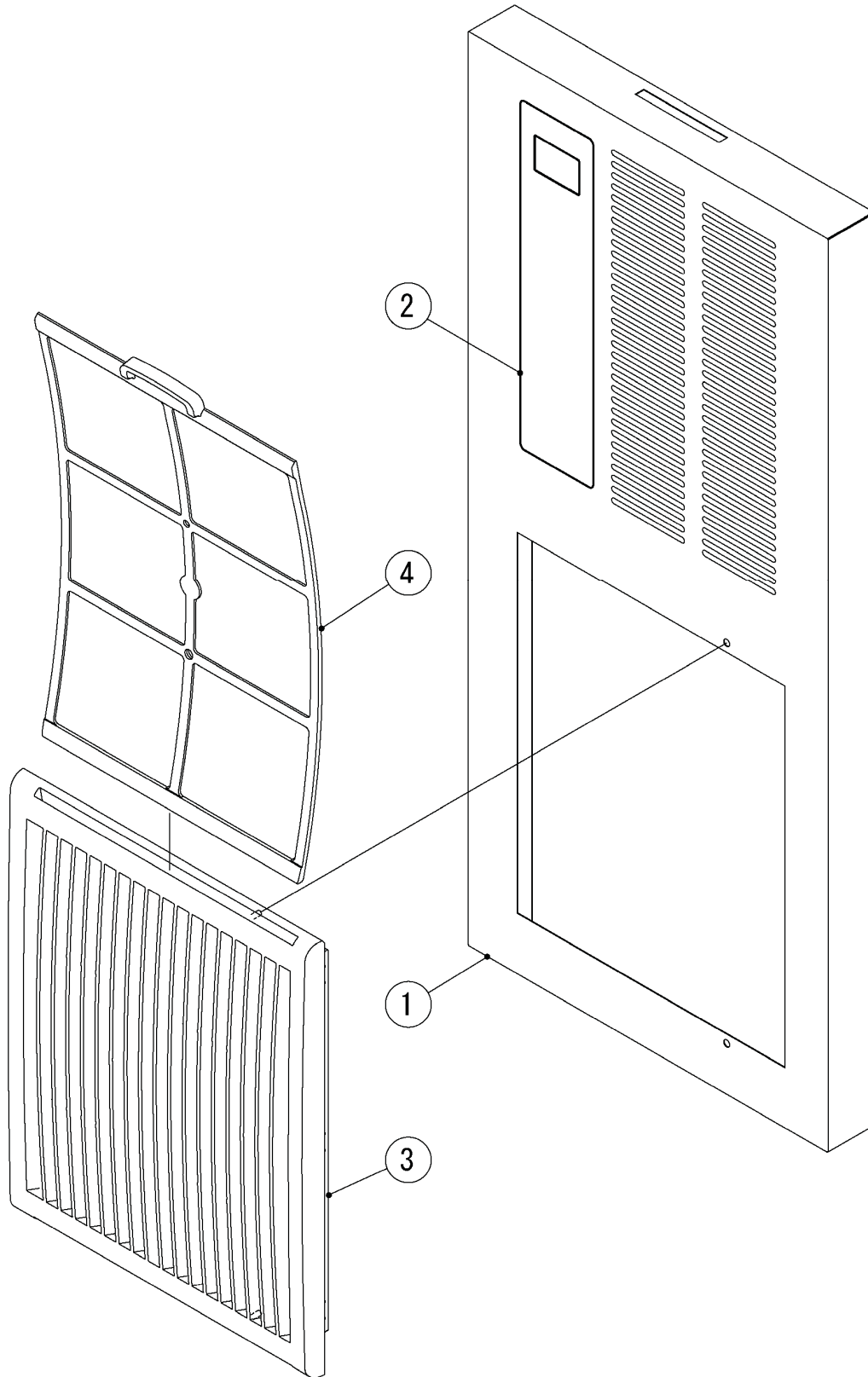




IM-100CNE (-23, -21)

H. FRONT COVER (R) ASSY

(B-1) and later

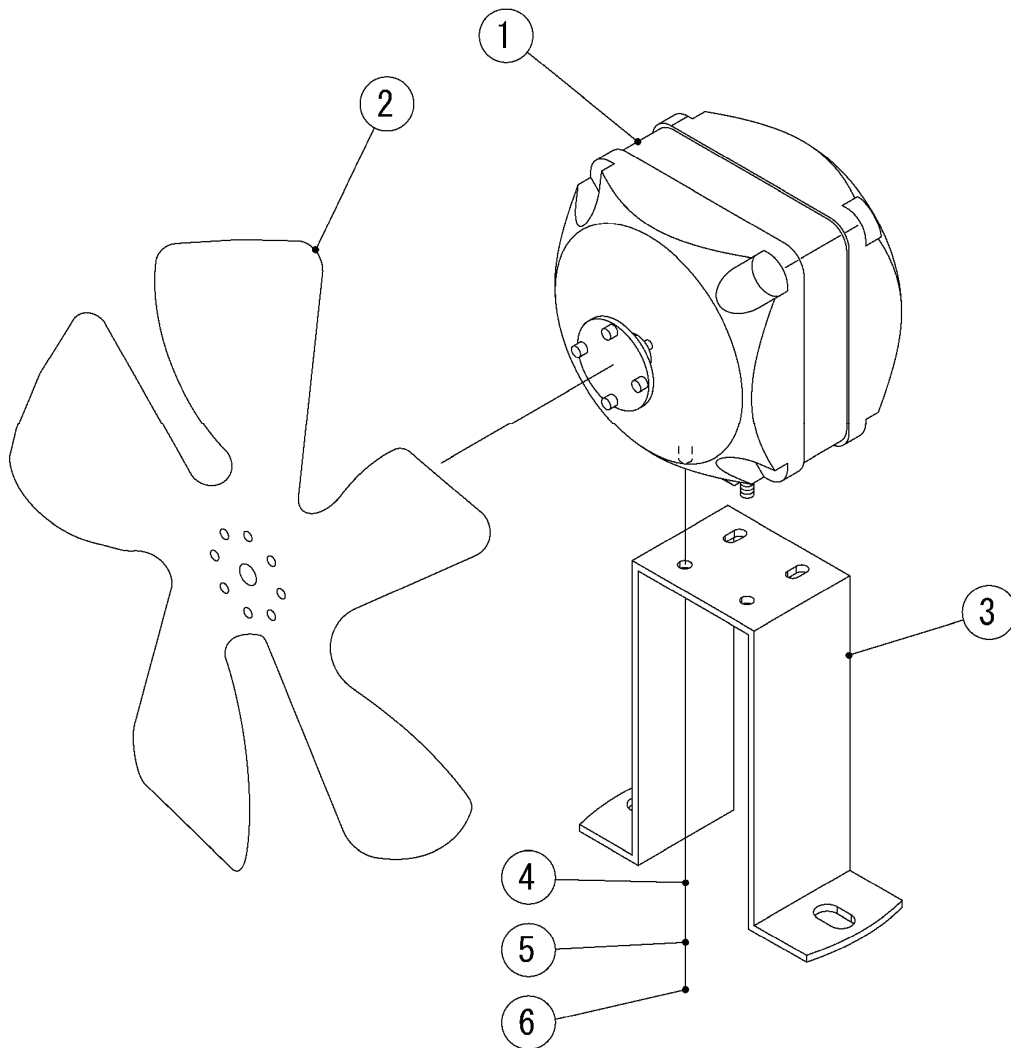




IM-100CNE (-23, -21)

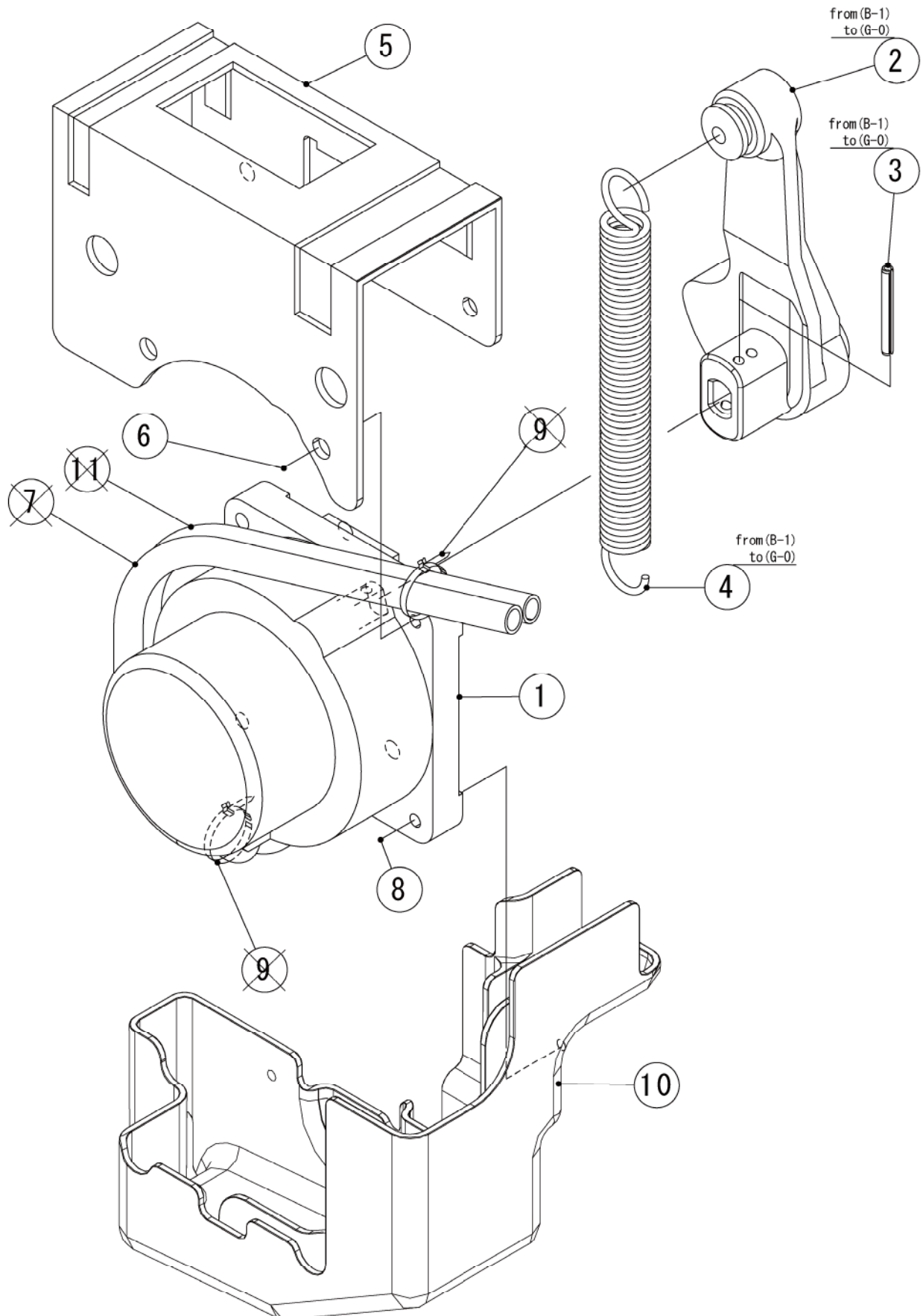
J. FAN MOTOR ASSY

(B-1) and later

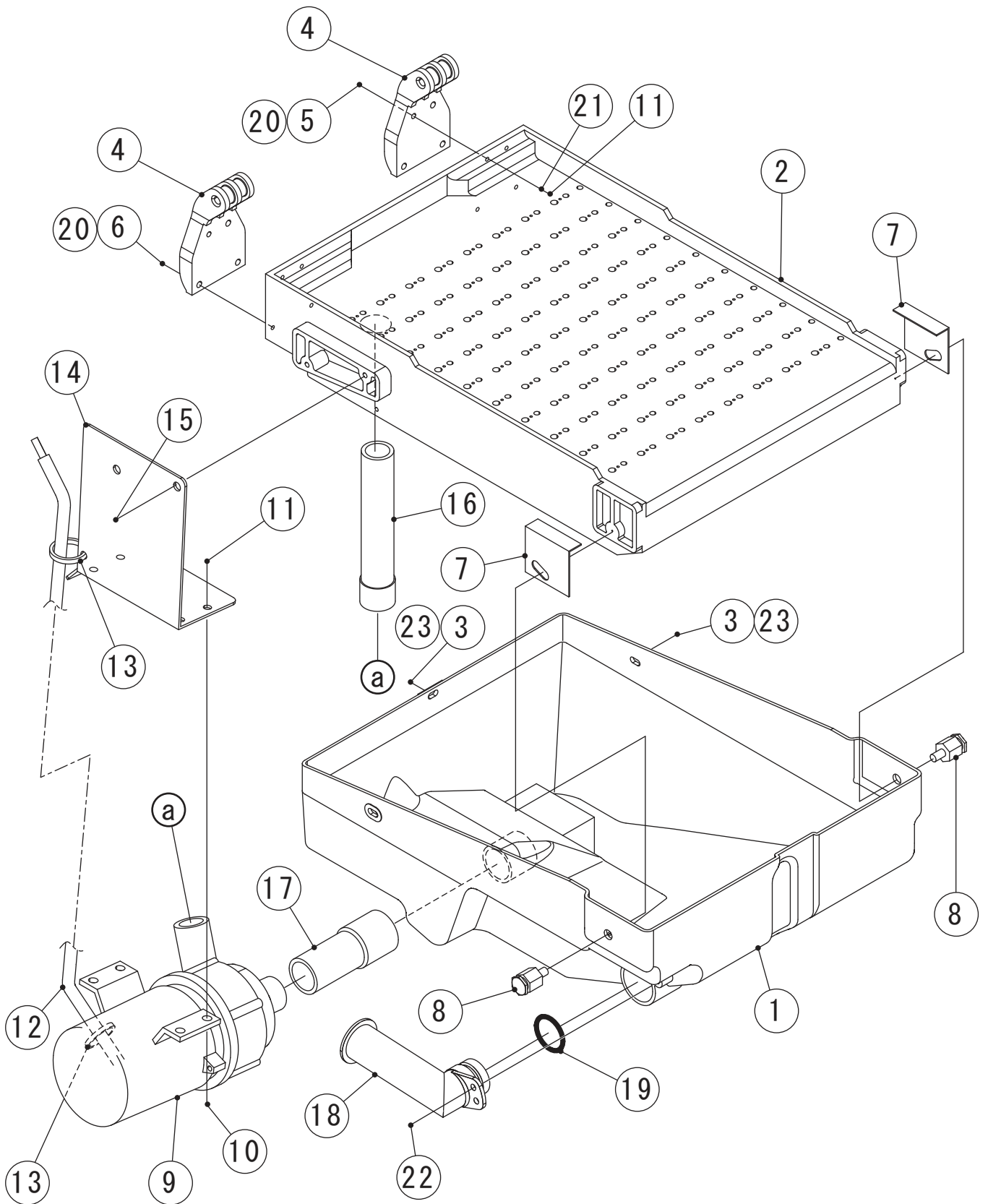














IM-100CNE (-23, -21)

M. BIN CONTROL SWITCH

(B-1) and later

