

COOLING / FREEZER TABLES

Two Door Cooling Table
EPF3422



Two Door Freezer Table
EPF3462



Optional



Drawer price:
\$495/SET
FOR TWO DRAWERS PER DOOR
(For cooling table only)

Three Door Cooling Table

EPF3432

Three Door Freezer Table

EPF3472



Four Door Cooling Table

EPF3442

Four Door Freezer Table

EPF3482

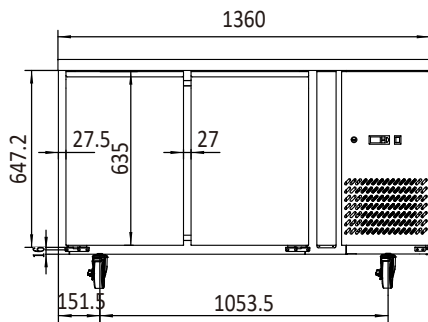
FEATURES

- Stainless steel interior and exterior
- Gas: R404A for Freezers
- Insulation Foam: C5H10, ODP, Zero emissions
- 43°C ambient working temperature
- Castors as standard
- Come with wired mid shelf
- Fits GN pans
- Auto Defrost function
- Fan-forced cooling system
- All European parts, Embraco EBM fan motor
- Carel digital controller
- Allow 100 mm clearance for air ventilation
- Shelf rails support GN Pans

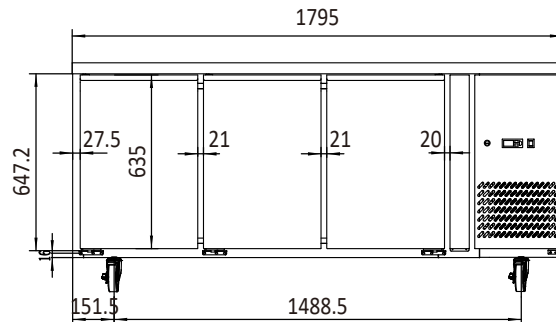
* All prices are EX-GST



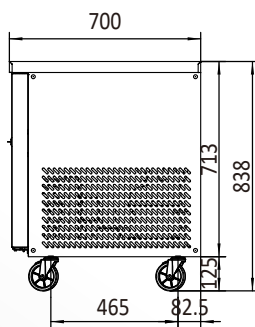
EPF3422/EPF3462



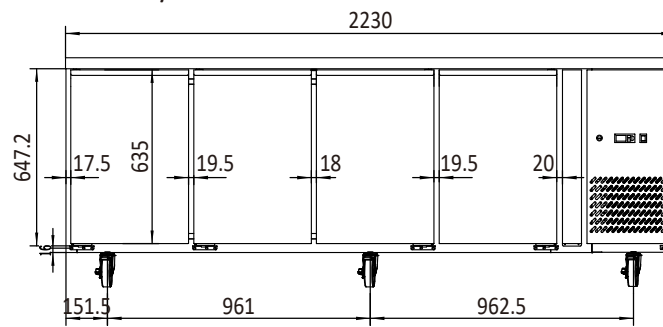
EPF3432/EPF3472



side view



EPF3442/EPF3482



INFORMATION	EPF3422 EPF3462	EPF3432 EPF3472	EPF3442 EPF3482
Capacity	280L	450L	560L
Power	250W/340W	330W/400W	330W/550W
Voltage	220~240V/50Hz	220~240V/50Hz	220~240V/50Hz
Working Temp	-2°C ~ +8°C -22°C ~ -18°C	-2°C ~ +8°C -22°C ~ -18°C	-2°C ~ +8°C -22°C ~ -18°C
Ambient Temp	43°C	43°C	43°C
Dimensions(mm)	W1360 x D700 x H838,95kg	W1795 x D700x H838,120kg	W2230 x D700 x H838,145kg
Packaging Dimensions(mm)	W1414 x D765 x H872,119kg W1414 x D765 x H872,119kg	W1849 x D765 x H872,145kg W1849 x D765 x H872,145kg	W2230 x D700 x H838,145kg W2284 x D765 x H872,176kg



2 YEARS WARRANTY ON ALL PARTS AND LABOUR
 EXTRA 2 YEARS WARRANTY ON PARTS
 WHEN YOU REGISTER WITH US ONLINE



* All prices are EX-GST