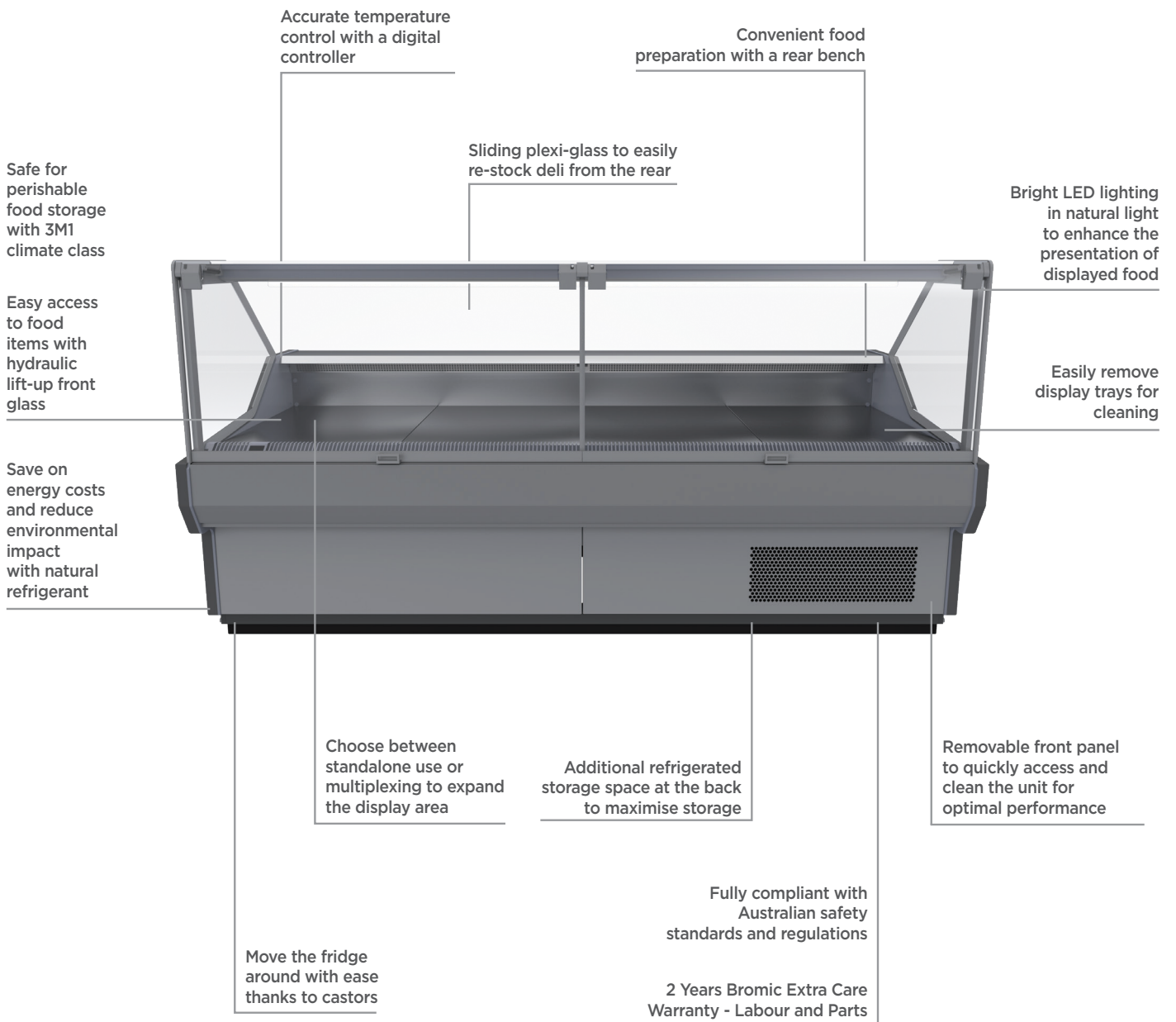


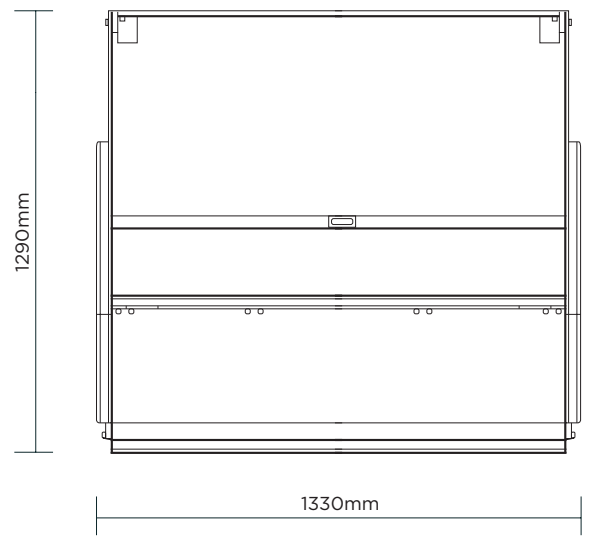
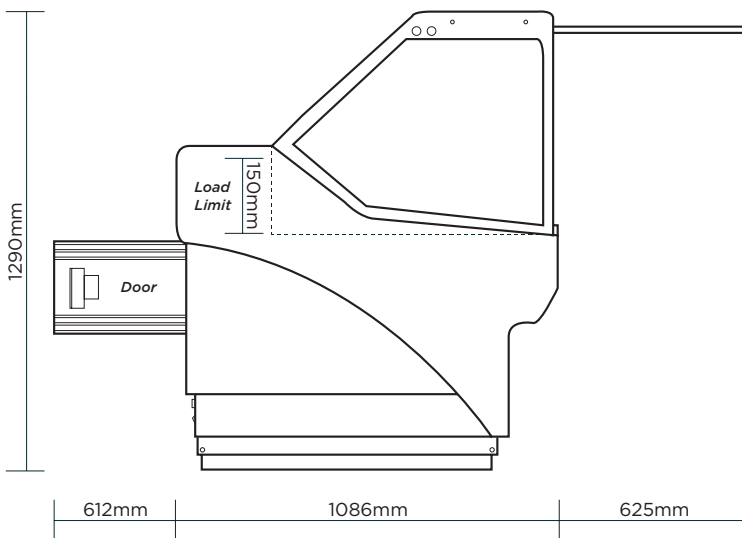
Square Glass Deli Display 1330mm

| Deli Displays



Square Glass Deli Display 1330mm

| Deli Displays



SPECIFICATIONS **DIMENSIONS**

Part Number	3335631	Cord Length	2m	External (mm)	
Volume	351L	Internal Light	LED	Width	1330
Unit Weight	237kg	Colour Temp.	4000K	Depth	1086
Packaged Weight	249kg	Door Lock	No	Height	1290
Adjustable Temp. Range	-1 to 10°C	No. of Doors	1	Packaged (mm)	
Max. Ambient Temp. Range	25°C	Door Type	Solid	Width	1350
Climate Class	3M1	Door Style	Hinged	Depth	1180
Energy Consumption	6.1kWh/24h	Door Swing Dimension	625mm	Height	1740
Refrigeration Capacity	389W	Total Depth of Door Open	1721mm		
Refrigerant	R290	Defrost System	Automatic		
Air-Circulation	Fan Forced	Temp. Controller	Digital		
Rated Current	1.69A	Rear Storage	Yes		
Electrical Voltage	220-240V	Castors	Yes		
Frequency	50Hz	Hydraulic Lift-up System	Yes		
Power Supply	Single Phase	Front Lifting Glass	Yes		
Power Plug	1 x 10A	Colour	Grey		
Plug Location	Rear, bottom left	Warranty	2 Years Bromic Extra Care Warranty - Labour and Parts		