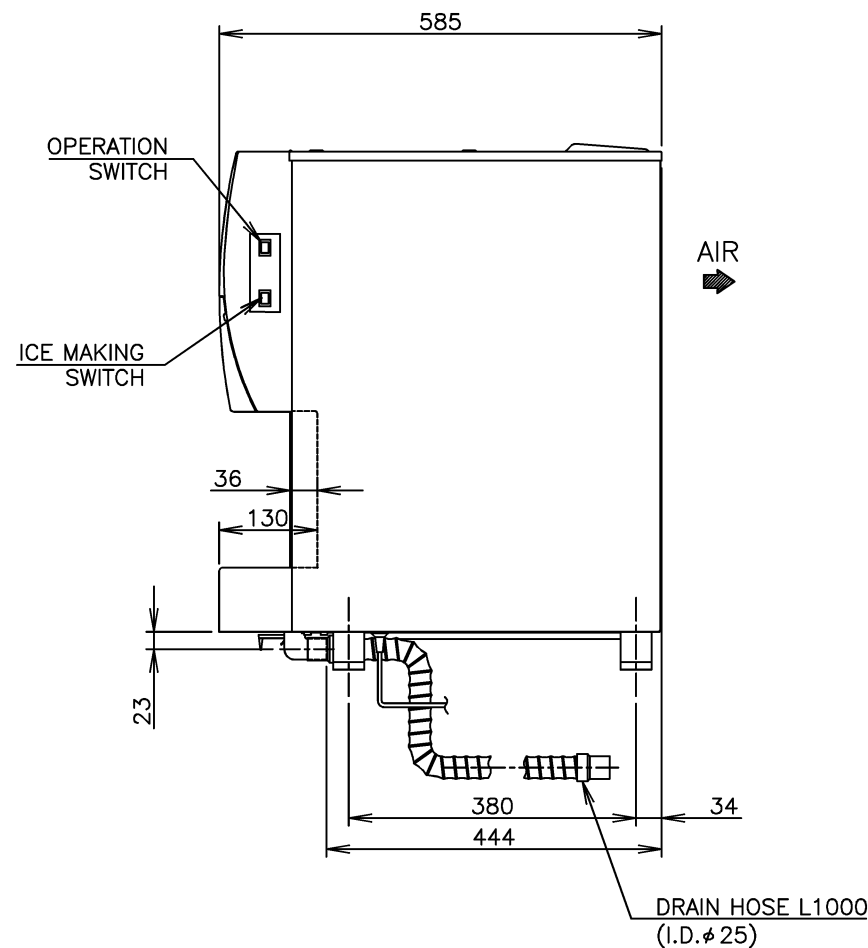
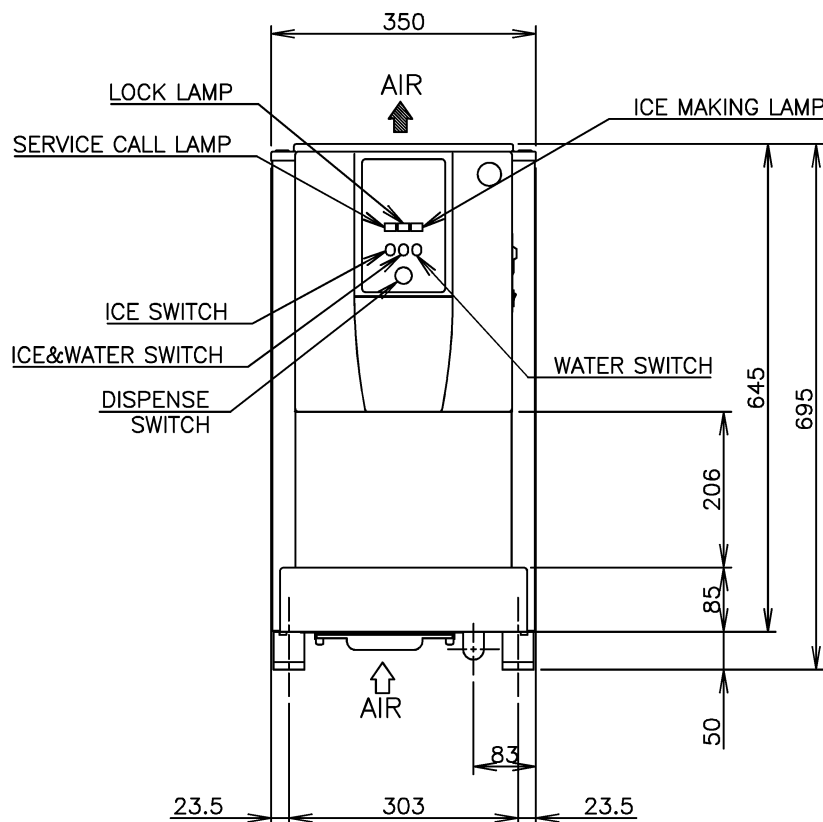


|                     |   |
|---------------------|---|
| OPERATING CONDITION | Ambient Temp.: 5-40° C, Water Supply Temp.: 5-35° C<br>Water Supply Pressure: 0.05-0.78MPa<br>Voltage Range: Rated Voltage±6% |
|---------------------|---|

\*We reserve the right to make changes in specifications and design without prior notice.

1. Install the ice maker properly in accordance with the instructions on location, water supply/drain connections and electrical connections stated in the instruction and installation manuals provided.
2. The ice production depends on the ambient and water temperatures. Refer to the instruction manual.
3. The amperage and electric consumption are based on measurements with the ice dispensing solenoid off.

- △4. Product Code: L014  
L014-C101  
L014-C201  
L014-C301



|                                |  |
|--------------------------------|--|
| ITEM                           | HOSHIZAKI CUBELET ICE DISPENSER  |
| MODEL                          | DCM-60KE-P   |
| POWER SUPPLY                   | 1 Phase 220 - 240V 50Hz Capacity: 0.60kVA (2.6A)   |
| AMPERAGE                       | 1.5A Starting: 9.5A  |
| ELECTRIC CONSUMPTION           | 280W (Power Factor: 81%)   |
| ICE PRODUCTION PER 24h         | Approx. 60kg (Ambient Temp. 10°C, Water Temp. 10°C)<br>Approx. 50kg (Ambient Temp. 21°C, Water Temp. 15°C)<br>Approx. 38kg (Ambient Temp. 32°C, Water Temp. 21°C)  |
| SHAPE OF ICE                   | Cubelet(Compressed Flake Ice)  |
| STORAGE CAPACITY               | Approx. 1.9kg  |
| ICE DISPENSING RATE (40g/CUP)  | Approx. 78cups/30min (Ambient Temp. 10°C, Water Temp. 10°C)<br>Approx. 110cups/1hour(Ambient Temp. 10°C, Water Temp. 10°C)<br>Approx. 73cups/30min (Ambient Temp. 21°C, Water Temp. 15°C)<br>Approx. 99cups/1hour (Ambient Temp. 21°C, Water Temp. 15°C)<br>Approx. 67cups/30min (Ambient Temp. 32°C, Water Temp. 21°C)<br>Approx. 87cups/1hour (Ambient Temp. 32°C, Water Temp. 21°C) |
| WATER CONSUMPTION PER 24h      | Approx. 0.060m <sup>3</sup> (Ambient Temp. 10°C, Water Temp. 10°C)<br>Approx. 0.050m <sup>3</sup> (Ambient Temp. 21°C, Water Temp. 15°C)<br>Approx. 0.038m <sup>3</sup> (Ambient Temp. 32°C, Water Temp. 21°C)   |
| OUTSIDE DIMENSIONS             | 350mm(W)× 585mm(D)× 695(~ 710)mm(H)  |
| INSULATION FOAM BLOWING AGENT  | HFC-free   |
| HEAT REJECTION                 | 460W (Ambient Temp. 32°C, Water Temp. 21°C)  |
| EXTERIOR                       | Stainless Steel(Side, Rear)<br>ABS Molding(Front, Top, Drain Pan)  |
| ICE MAKING SYSTEM              | Thin ice forming inside Cylinder   |
| CONNECTIONS-ELECTRIC           | Y-Type Connection<br>with CONT. Plug (L014)<br>with UK. Plug (L014-C101)<br>with OCEANIA. Plug (L014-C201)<br>with CHINA Plug (L014-C301)  |
| CONNECTIONS-WATER SUPPLY       | Direct Connection to Water Main, Inlet G3/4(Bottom)  |
| CONNECTIONS-DRAIN              | Drain Hose, I.D. φ 25mm(Bottom)  |
| HARVESTING SYSTEM              | Direct driven Auger  |
| ICE DISPENSING SYSTEM          | Push Switch and Solenoid(with Select Switch)<br>Portion control by Dispense Switch   |
| WATER DISPENSING SYSTEM        | Push Switch and Water Valve (with Select Switch)<br>Portion control by Dispense Switch   |
| COMPRESSOR                     | Hermetic   |
| CONDENSER                      | Fin and Tube type, Air-cooled  |
| EVAPORATOR                     | Tube coiled around Cylinder (Solder Plated)  |
| REFRIGERANT                    | R134a/210g   |
| BIN CONTROL                    | Mechanical Bin Control (Time Delay Controlled)   |
| ICE MAKING WATER CONTROL       | Float Switch and Water Valve   |
| ELECTRICAL CIRCUIT PROTECTION  | 10A Circuit Breaker  |
| REFRIGERANT CIRCUIT PROTECTION | Compressor Internal Thermostat   |
| INTERLOCK                      | Shutdown by Microprocessor (Manual-reset)  |
| WEIGHT                         | Net: 47kg(Gross: 56kg)   |
| PACKAGE                        | Carton 440mm(W)× 655mm(D)× 906mm(H)  |
| ACCESSORIES                    | Installation Kit, Brush  |

# HOSHIZAKI CUBELET ICE DISPENSER DCM-60KE-P

|                     |                       |                    |                    |                       |              |
|---------------------|-----------------------|--------------------|--------------------|-----------------------|--------------|
| APPROVED<br>YOSHIDA | CHECKED<br>KUROYANAGI | DESIGNED<br>HIRANO | DRAWN<br>WATANABE  | SCALE<br>1/10         | TRIGONOMETRY |
| KUROYANAGI          | MIZUTANI              | 2016.12.15         | DATE<br>2012.02.20 | DRAWING NO.<br>D11050 | SYMBOL<br>△  |
| APPROVED            | DESIGNED              | SYMBOL             | DATE               |                       |              |