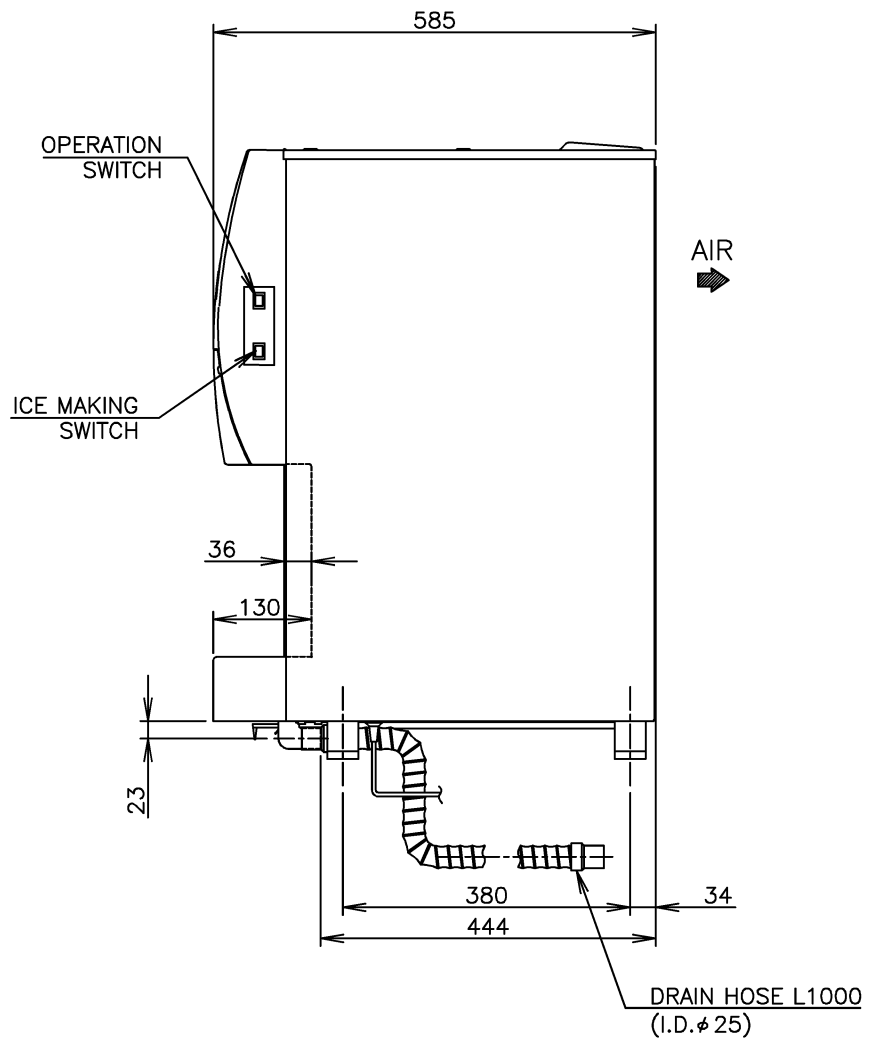
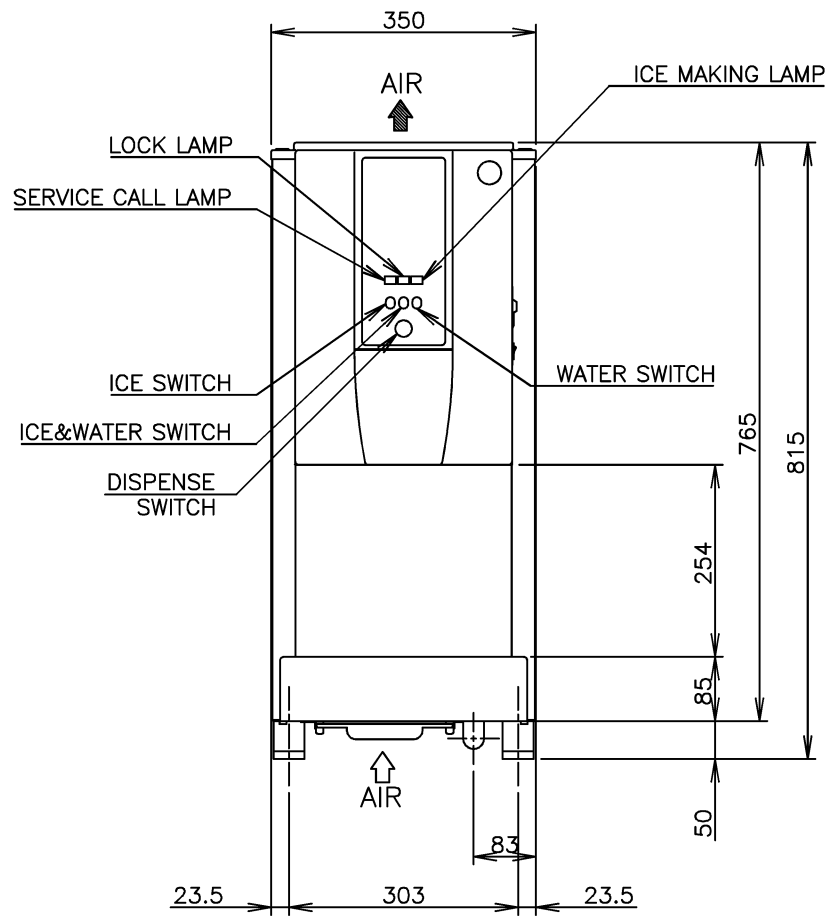


OPERATING CONDITION	Ambient Temp.: 5-40° C, Water Supply Temp.: 5-35° C
	Water Supply Pressure: 0.05-0.78MPa
	Voltage Range: Rated Voltage±6%

*We reserve the right to make changes in specifications and design without prior notice.

1. Install the ice maker properly in accordance with the instructions on location, water supply/drain connections and electrical connections stated in the instruction and installation manuals provided.
2. The ice production depends on the ambient and water temperatures. Refer to the instruction manual.
3. The amperage and electric consumption are based on measurements with the ice dispensing solenoid off.

- △4. Product Code: L010
L010-C101
L010-C201
L010-C301



ITEM	HOSHIZAKI CUBELET ICE DISPENSER
MODEL	DCM-120KE-P
POWER SUPPLY	1 Phase 220-240/220-230V 50/60Hz Capacity: 0.84/0.81kVA (3.7/3.5A)
AMPERAGE	2.8/2.7A Starting: 12.6A
ELECTRIC CONSUMPTION	480/560W (Power Factor: 74/90%)
ICE PRODUCTION PER 24h	Approx. 125kg (Ambient Temp. 10° C, Water Temp. 10° C) Approx. 105kg (Ambient Temp. 21° C, Water Temp. 15° C) Approx. 85kg (Ambient Temp. 32° C, Water Temp. 21° C)
SHAPE OF ICE	Cubelet(Compressed Flake Ice)
STORAGE CAPACITY	Approx. 4.0kg
ICE DISPENSING RATE (40g/CUP)	Approx. 165cups/30min (Ambient Temp. 10° C, Water Temp. 10° C) Approx. 230cups/1hour(Ambient Temp. 10° C, Water Temp. 10° C) Approx. 154cups/30min (Ambient Temp. 21° C, Water Temp. 15° C) Approx. 209cups/1hour (Ambient Temp. 21° C, Water Temp. 15° C) Approx. 144cups/30min (Ambient Temp. 32° C, Water Temp. 21° C) Approx. 188cups/1hour (Ambient Temp. 32° C, Water Temp. 21° C)
WATER CONSUMPTION PER 24h	Approx. 0.125m ³ (Ambient Temp. 10° C, Water Temp. 10° C) Approx. 0.105m ³ (Ambient Temp. 21° C, Water Temp. 15° C) Approx. 0.085m ³ (Ambient Temp. 32° C, Water Temp. 21° C)
OUTSIDE DIMENSIONS	350mm(W)× 585mm(D)× 815(~830)mm(H)
INSULATION FOAM BLOWING AGENT	HFC-free
HEAT REJECTION	980/1180W (Ambient Temp. 32° C, Water Temp. 21° C)
EXTERIOR	Stainless Steel(Side, Rear) ABS Molding(Front, Top, Drain Pan)
ICE MAKING SYSTEM	Thin ice forming inside Cylinder
CONNECTIONS-ELECTRIC	Y-Type Connection with CONT. Plug (L010) with UK. Plug (L010-C101) with OCEANIA. Plug (L010-C201) with CHINA Plug (L010-C301)
CONNECTIONS-WATER SUPPLY	Direct Connection to Water Main,Inlet G3/4(Bottom)
CONNECTIONS-DRAIN	Drain Hose, I.D.φ 25mm(Bottom)
HARVESTING SYSTEM	Direct driven Auger
ICE DISPENSING SYSTEM	Push Switch and Solenoid (with Select Switch) Portion control by Dispense Switch
WATER DISPENSING SYSTEM	Push Switch and Water Valve(with Select Switch) Portion control by Dispense Switch
COMPRESSOR	Hermetic
CONDENSER	Fin and Tube type, Air-cooled
EVAPORATOR	Tube coiled around Cylinder (Solder Plated)
REFRIGERANT	R134a/210g
BIN CONTROL	Mechanical Bin Control (Time Delay Controlled)
ICE MAKING WATER CONTROL	Float Switch and Water Valve
ELECTRICAL CIRCUIT PROTECTION	10A Circuit Breaker
REFRIGERANT CIRCUIT PROTECTION	Compressor Internal Thermostat Condensing Temperature detected by Thermistor(Auto-reset)
INTERLOCK	Shutdown by Microprocessor (Manual-reset)
WEIGHT	Net: 57kg(Gross: 66kg)
PACKAGE	Carton 440mm(W)× 655mm(D)× 1026mm(H)
ACCESSORIES	Installation Kit, Brush

HOSHIZAKI CUBELET ICE DISPENSER DCM-120KE-P

APPROVED YOSHIDA	CHECKED KUROYANAGI	DESIGNED HIRANO	DRAWN WATANABE	SCALE 1/10	TRIGONOMETRY
KUROYANAGI	MIZUTANI	DATE 2016.12.16	DATE 2012.02.20	DRAWING NO. D11053	SYMBOL △
APPROVED	DESIGNED	SYMBOL	DATE		