



CD40530 - CUBE ICE DISPENSER



CD40530 WITH CIMO435

Features

- Only 30" (762 mm) wide.
- Storage 81 kg.
- *Turbo Dispense* dispenses 113g of ice per second.
- *Power Clean* allows access to the bin for easy cleaning without moving the ice machine. Interlock safety switch turns off machine agitation when top-front access panel is removed.
- 102 mm foam insulation for maximum ice preservation—no more quick melting ice.
- Constructed from corrosion-resistant stainless steel and fingerprint-proof plastic.
- Great for hard water, food safety and tight spaces.
- Ultra-low profile design.
- Maximum ice storage in a minimum amount of space.
- User friendly push-to-dispense operation.
- Warranty: 3 years parts & labour

CD40530 CUBE ICE DISPENSER

ICE PRODUCTION FOR OPTIONAL CUBE ICE MAKERS—KG PER 24 HOURS*

Model No.	CIMo435	CIMo635	CIM1135
Air-Cooled	209	265	425
Voltage Char.	230/50/1	230/50/1	230/50/1

*Tested at 21°C Air/10°C Water.

All specifications and performance data are subject to normal manufacturing variances.

Ice Form



CUBE

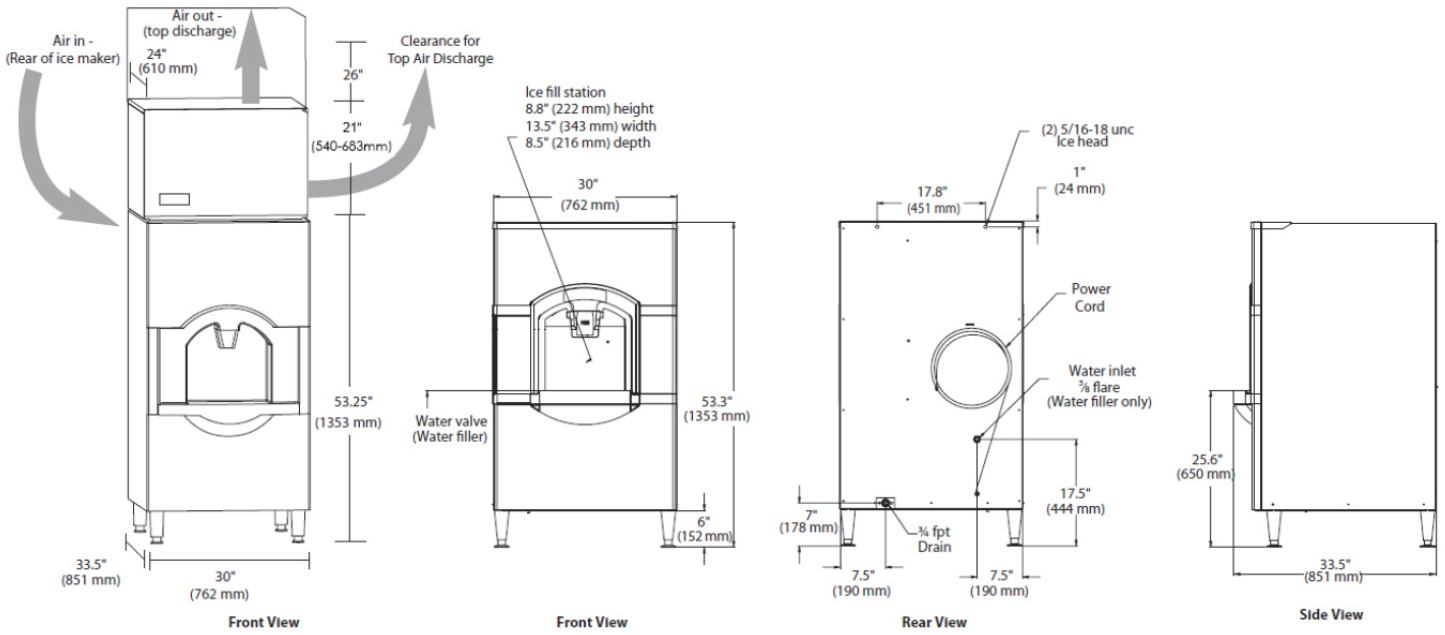
Full Cube Dimensions	
W x D x H (mm)	22 x 22 x 22
Half Cube Dimensions	
W x D x H (mm)	10 x 22 x 22





CD40530 - CUBE ICE DISPENSER

CD40530 CUBE ICE DISPENSER



Operating Requirements

	MINIMUM	MAXIMUM
		50Hz
Ambient Temp. Range Air	10 °C	143 °C
Water Temp.	4.4 °C	32 °C
Water Pressure	1.4 BAR	4.1 BAR

Dimensions (dispenser only)

ALL MODELS	
W x D x H (mm)	762 x 851 x 1353

Specifications

Model Number	Dispenser Operation	Bin Storage kg	Voltage Characteristics	Min. Circuit Ampacity	Max Fuse Size
CD40530	Push	81	230/50/1	2.1	15

All specifications and performance data are subject to normal manufacturing variances.

Note #1: Model CD40530 dispenser accepts all 30" (762 mm CIM™ and ICE Series™ Cube Ice Makers).

• Note #2 CD40530 Series units do not require an Adaptor and Bin Level Kit. Not for use with 22" (559 mm) machines.

NOTES:

Number of Wires: 3 (including ground)
 Approx. Shipping Weight kg: CD40530 100