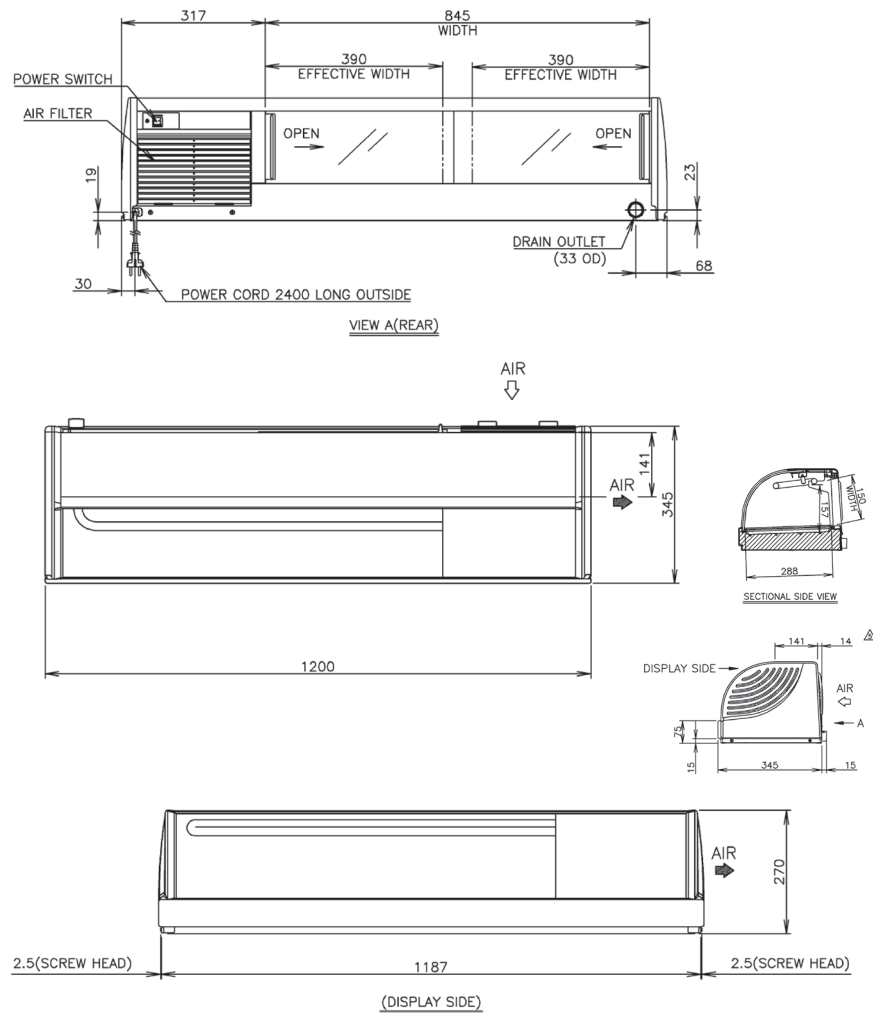




PRODUCT FEATURES

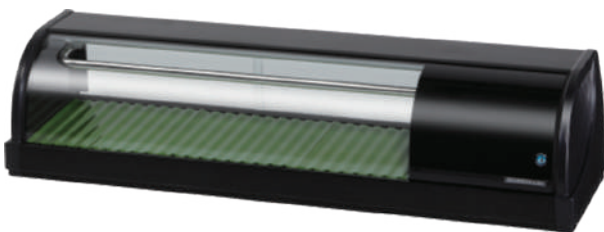
- Plate space on top of unit, 5.6 inches.
- Stable humidity and temperature levels are maintained instead of forced air circulation methods that dry out and ruin displayed sushi.
- Large diameter 1 inch drains at front.
- Larger front to back interior - 11 inches.
- Interior floor has a radius at all four sides.
- Self-contained refrigeration unit - easy to install.
- Condenser airflow is in the back and out the side.
- Large diameter upper evaporator with tin plating.
- Larger condenser face area improves cooling performance.
- Solid base food plates with radius groove to fit sushi foods.
- Base food plates can be turned upside down and used to improve cooling performance.

TECHNICAL DRAWING



PRODUCT SPECIFICATION

Exterior	Clear Glass, ABS Plastic, PVC Plastic
Interior	Clear Glass, ABS Plastic, Stainless Steel
Effective Capacity	42L
Saturation Temperature	Approx 5 °C (Ambient temp 30°C, no load)
Power Cord	2.4m
Dimensions: Interior,	845mm (W) x 288mm (D)x 157mm (H)
Exterior	1200mm(W) x 345mm(D)x 270mm(H)
Cooling	Air
Weight Net/Gross (kg)	32/44
AC Supply Voltage	1 PHASE 220-240V 50Hz / 10Amp Plug
Amperage	Rated: 1.2A Starting: 6A
Refrigerant Charge	R134a / 80g
Operating Conditions	Ambient Temp.: 10 - 30°C Voltage Range: Rated Voltage ±6%



Descriptions and specifications are subject to change at any time, without notice. Illustrations for demonstration purposes.

Copyright © 2019 Hoshizaki Lancer Pty Ltd. All right reserved. E&OE Date: May 2019