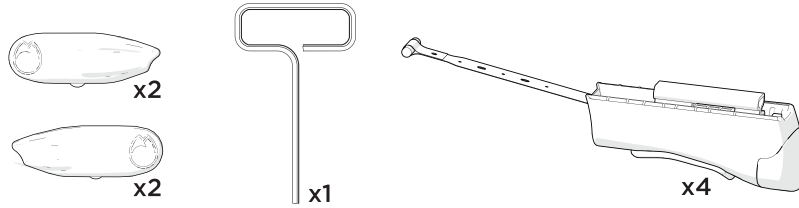




rockymounts Flagstaff Tower

Parts Included*



Parts Not Included

- ▶ Ouray Crossbars
- ▶ Lock Cores

* If you have a 2011 or later Ford Explorer, please contact RockyMounts for a free part you need to complete this installation.

Assembly Instructions

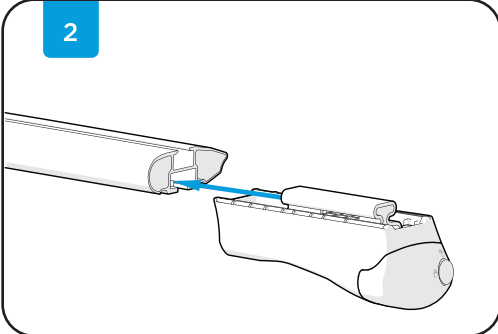
1

- See rockymounts.com for fit information.
- Rack rated at: 165 lbs (75kilos) or your factory rack rating, whichever is lower.
- Minimum bar spread = 24"
- Any loads longer than 8' (2.4 meters) must be tied to the vehicle bumpers.
- Remove rack before entering a car wash.
- Check all fastenings (nuts, bolts, straps) before each use.
- Do not drive aggressively while transporting loads: speeding, offroading, and high winds can cause damage.
- Do not force anything to fit. If there are concerns consult your dealer or RockyMounts before use.

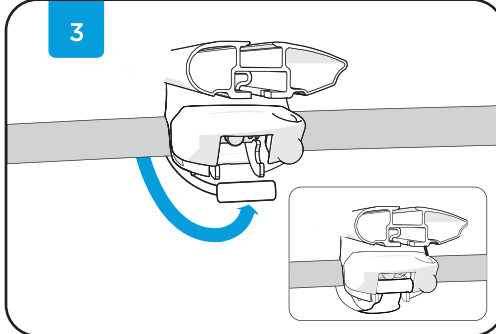
- Voir rockymounts.com pour les compatibilités de véhicules.
- Système est évalué à 75 kg ou votre usine notation de rack, si elle est inférieure
- Propagation de la barre minimum= 61 cm
- Toutes les charges de plus de 2,4 mètres doivent être liés aux pare-chocs des véhicules.
- Enlever la grille avant d'entrer dans un lave-auto.
- Vérifiez toutes les fixations (écrous, boulons, sangles) avant chaque utilisation.
- Ne pas conduire agressivement tandis que le transport de charges: excès de vitesse, offroading, et les vents violents peuvent causer des dommages.
- Ne forcez pas le système pour s'adapter. S'il ya des inquiétudes, consultez votre revendeur ou RockyMounts avant utilisation.

- Consulte rockymounts.com para obtener información en forma.
- Sistema nominal de 75 kg o su calificación parrilla de fábrica, lo que sea menor.
- Extensión mínima de barras= 61 cm.
- Las cargas de más de 2,4 metros deberán estar vinculados a los parachoques de vehículos.
- Retire la gradilla antes de entrar en un túnel de lavado.
- Revise todas las fijaciones (tuercas, tornillos, correas) antes de cada uso.
- No conducir de manera agresiva, mientras que el transporte de cargas: exceso de velocidad, la conducción en terrenos difíciles, y los fuertes vientos pueden causar daños.
- No fuerce el sistema para adaptarse. Si hay duda, consulte a su distribuidor o RockyMounts antes de

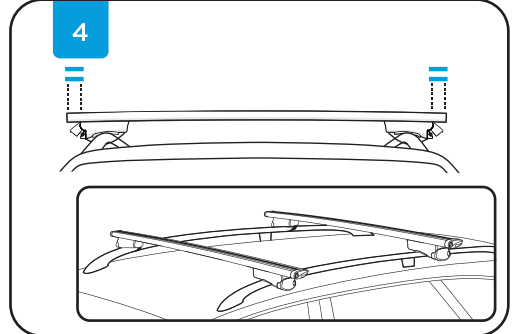
2



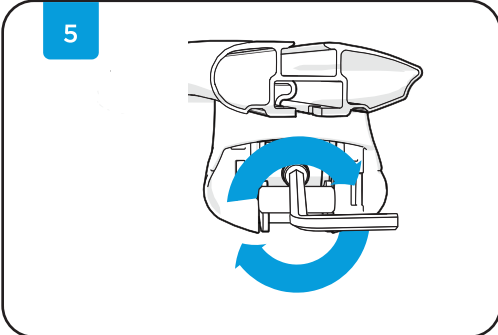
3



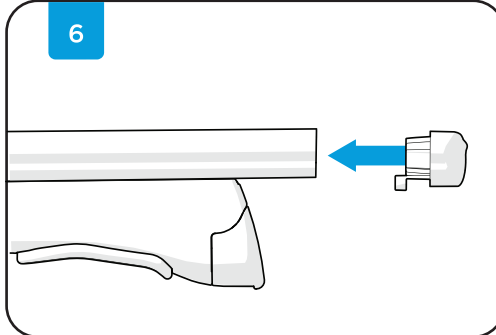
4



5

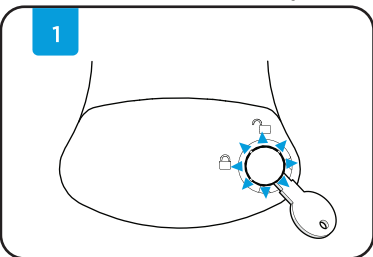


6

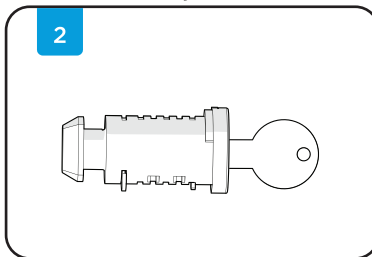


Lock Core Installation (lock cores not included)

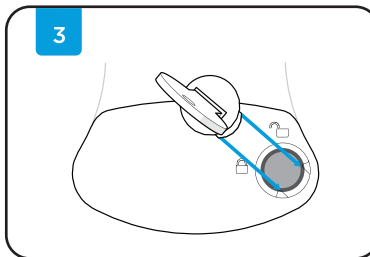
1



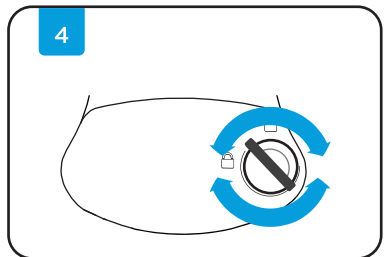
2



3



4





rockymounts
Lifetime Warranty

WE TAKE PRIDE IN PROVIDING A GREAT CUSTOMER EXPERIENCE AND MANUFACTURING PRODUCTS THAT ENABLE OUR CUSTOMERS TO GET THEIR GEAR TO THEIR NEXT GREAT ADVENTURE.

As of January 1st, 2014, RockyMounts products are covered for life to the original purchaser when used in accordance with the instruction manuals' assembly, installation, and use guidelines.

If you feel something broke before it's time; please email us at ride@rockymounts.com or call us at 800.873.1871. For the most efficient service, email a digital photo (we need this photo to verify the problem) of the product in question, a brief description of the situation, and your purchase receipt. Our techs will respond within one business day. Most of the time we'll replace the part in question, but we may ask for more clarification.

RockyMounts, Inc. warranty only covers RockyMounts, Inc. products. It does not cover theft, or damage to vehicles and/or equipment.

All products purchased prior to Jan 1st, 2014 are covered by a one-year warranty, see your product manual for details.