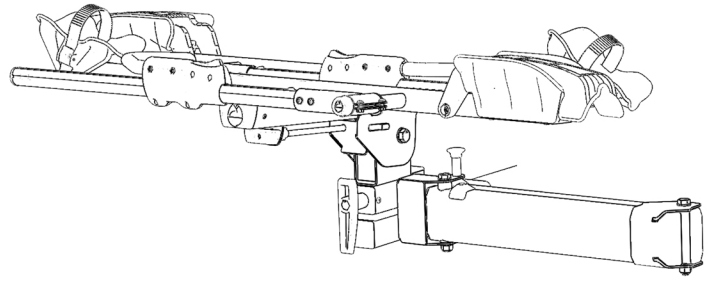




# rockymounts™ BackStage

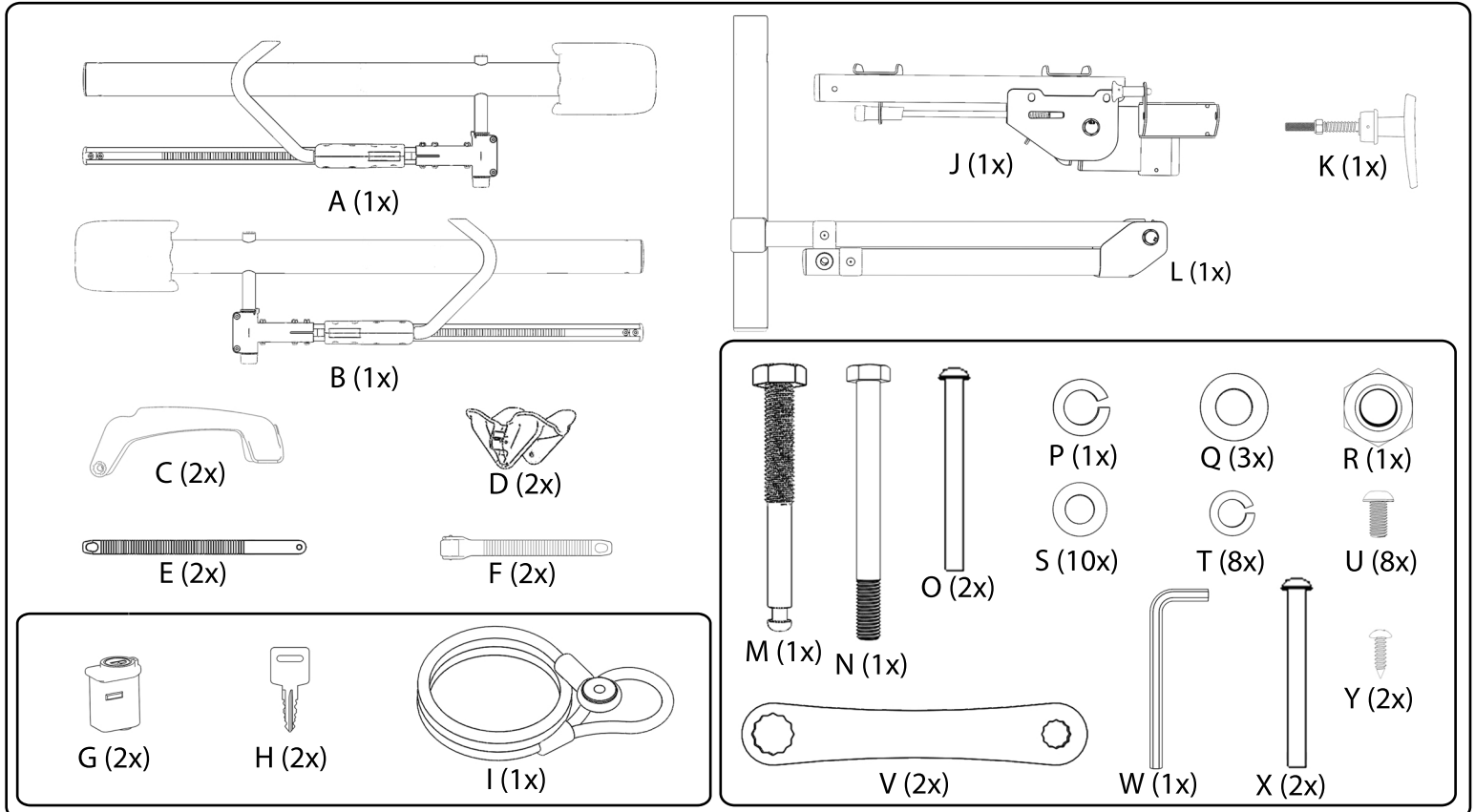


## Guidelines

Max weight per bicycle: 60lbs (27kg).  
 Wheel Size: Compatible with 20-29" wheels.  
 Tire size: Fits up to 5.0" tires. Wheel base: Fits up to 48" (122cm).  
 Clearance for up to 81" wide vehicles (40.5" from center).  
 Rack must be in use position for maximum swinging clearance.  
 Two bike only. Not compatible with MonoRail Single Bike Add-On.  
 Remove front fenders, racks, and panniers before use.  
 No kick bikes, recumbents, mopeds, scooters, pennyfarthings, or tandems.

## Parts Included

- |                          |                   |                     |                         |
|--------------------------|-------------------|---------------------|-------------------------|
| A: Wheel Tray A          | H: Lock Key       | O: M8x90 BHCS Bolt  | V: 19mm Wrench          |
| B: Wheel Tray B          | I: Lock Cable     | P: M12 Split Washer | W: 6mm Allen Wrench     |
| C: Back Stop             | J: Base           | Q: M12 Flat Washer  | X: M8x85 BHCS Bolt      |
| D: Wheel Cup             | K: Locking Handle | R: M12 Nut          | Y: M5x15 Phillips Screw |
| E: Wheel Strap           | L: Swing Arm      | S: M8 Flat Washer   |                         |
| F: Wheel Strap Extension | M: Hitch Pin      | T: M8 Split Washer  |                         |
| G: Lock Pod              | N: M12x130 Bolt   | U: M8x16 BHCS Bolt  |                         |

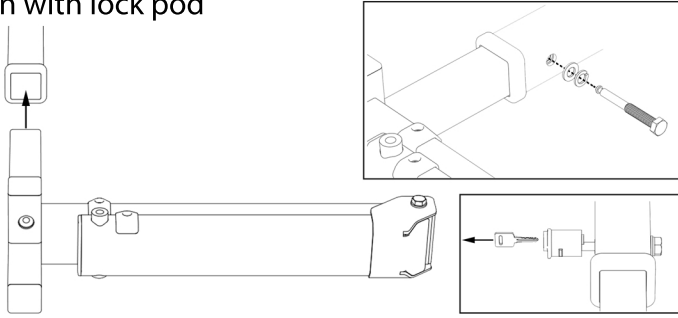


**Note:** Phillips screwdriver not included

## Assembly Instructions

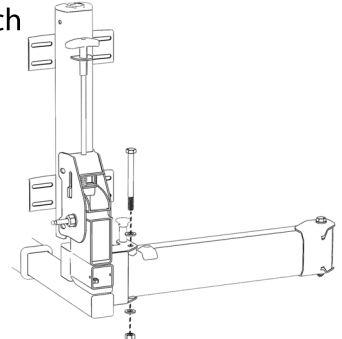
### 1 Install Swing Arm

Insert hitch tube into vehicle hitch receiver and align holes. Use 19mm wrench, install hitch pin with an M12 split washer and an M12 flat washer. Lock hitch pin with lock pod



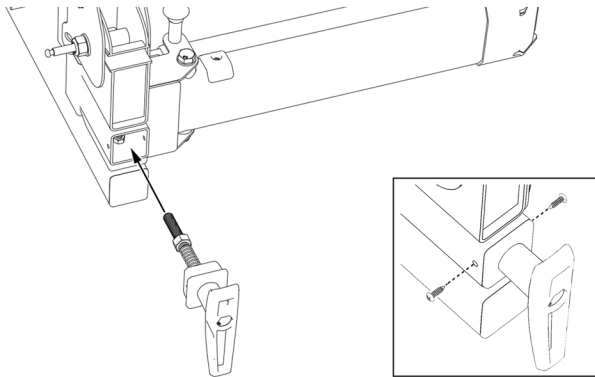
### 2 Install Base

Attach base to swing arm. Loosely install M12x130 bolt, M12 nut and two M12 flat washers. Hold M12 nut using one 19mm wrench and fasten M12 bolt using the other 19mm wrench



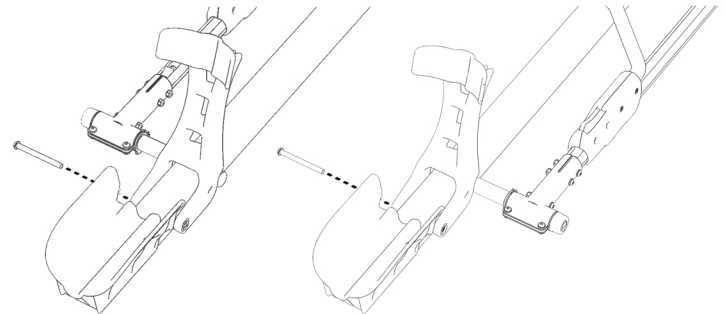
### 3 Install Locking Handle

Attach locking handle assembly to base. Align holes and install two M5 phillips screws



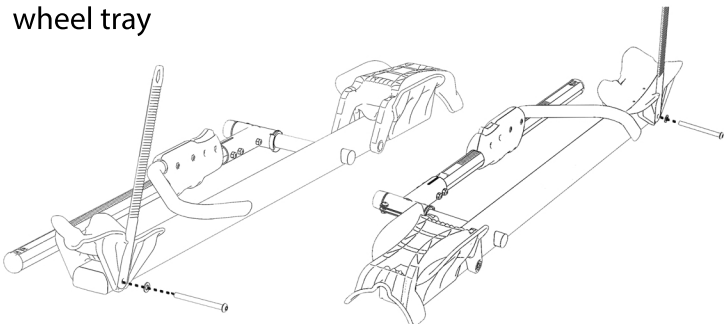
### 4 Install Back Stops

For both wheel trays, install back stops with M8x85 bolts



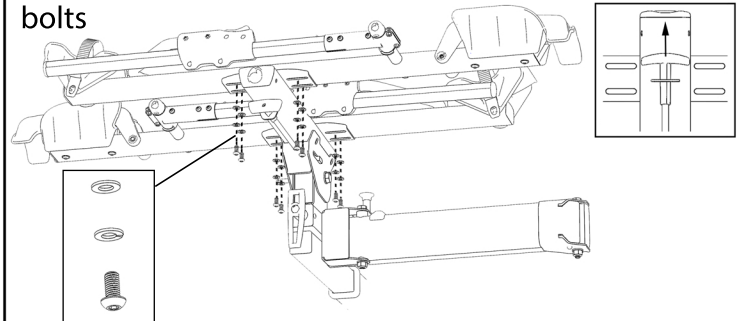
### 5 Install Wheel Cups

Align holes on wheel cup, tray and wheel strap, make sure buckle faces towards load arm. Install one M8x90 bolt and one M8 flat washer. Repeat for the other wheel tray



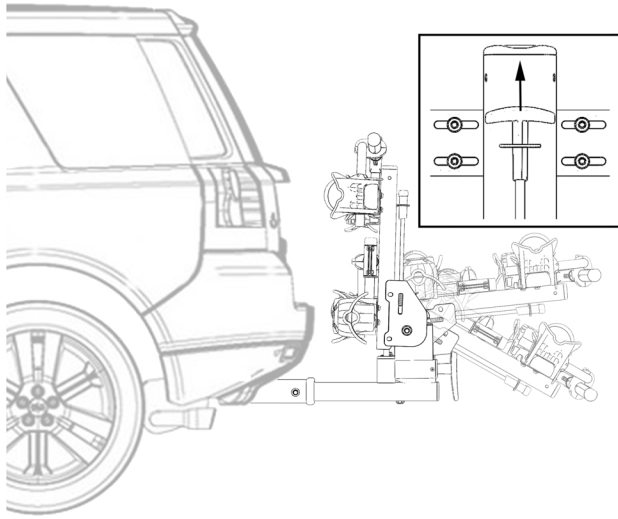
### 6 Install Wheel Trays

Pull T handle to lower base. Place two wheel trays on base. Loosely install eight M8x16 bolts with split and flat washers. Position trays then securely tighten all bolts



## Assembly Instructions

### 7 Rack Positions



#### Folding Rack

Pull T handle to raise or lower rack into stow, use and tilt position. Rack can be folded into stow position when not in use and tilted down or swung away for rear vehicle access.

If rack hits locking handle when tilted down, tighten locking handle until out of the way. (If too tight loosen locking handle, push bolt out and flip bolt 180 degrees then reinstall)

Load arms should be stowed flat when rack is not in use. T handle should be fully seated before each use.

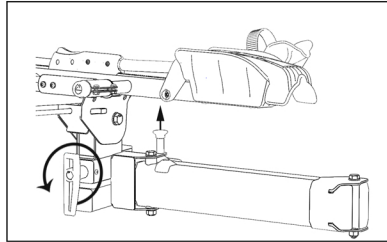
Only use swing function when vehicle is parked and on level ground.

Before operating your vehicle, always make sure:

- Rack is in closed position
- Pull pin is engaged
- Locking handle is tightened and rack is secure

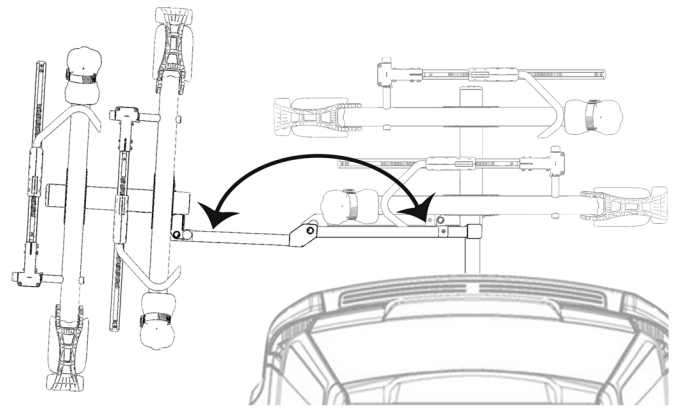
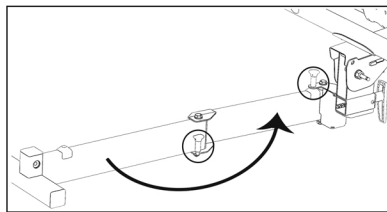
#### Opening Rack

- Loosen locking handle
- Release pull knob
- Extend rack until both pull knobs click in place



#### Closing Rack

- Release both pull knobs
- Retract rack until pull knob clicks in place
- Tighten locking handle

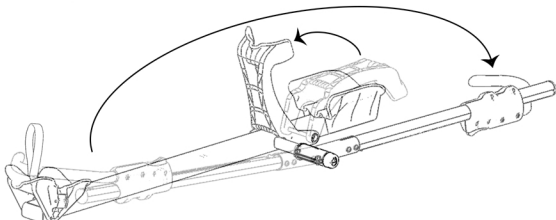


- ! Ensure that rack or bikes do not contact yours or surrounding vehicles when rack is swung open

## Loading Bikes

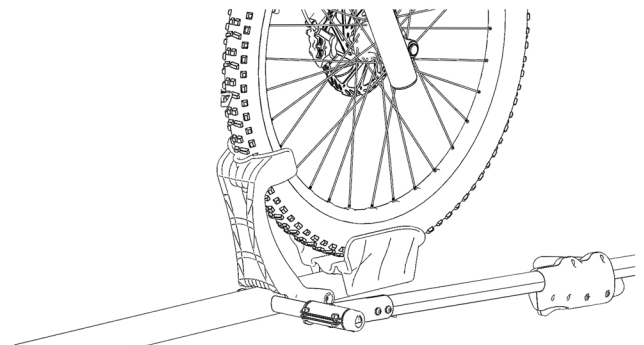
### 1 Open Load Arm

Rotate load arm 180 degrees from stowed position and fully extend hook. Fold back stop to fully open position. Tuck wheel strap



### 2 Place Bike on Rack

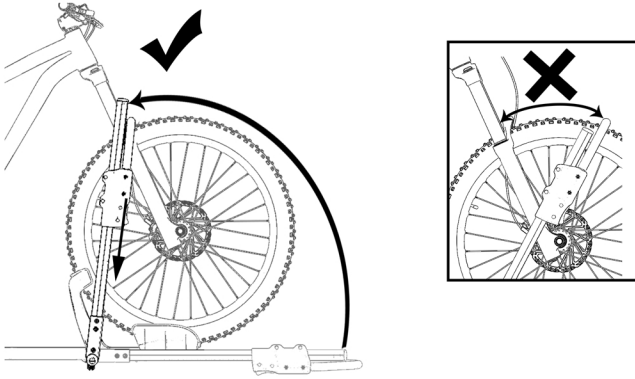
Load heaviest bike on tray nearest to vehicle. **FRONT WHEEL SHOULD BE SECURE AGAINST BACK STOP**



## Loading Bikes

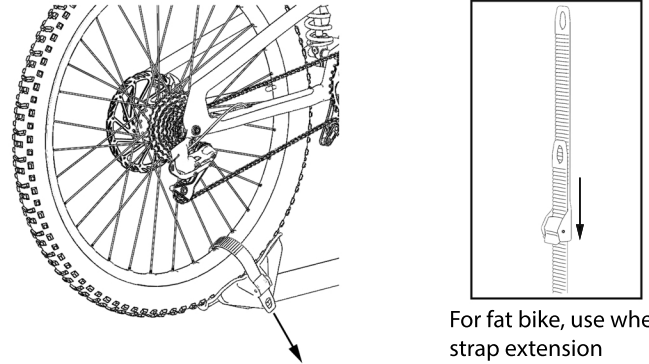
### 3 Secure Front Wheel

Rotate load arm over front wheel and tighten hook with **MINIMUM GAP** between fork



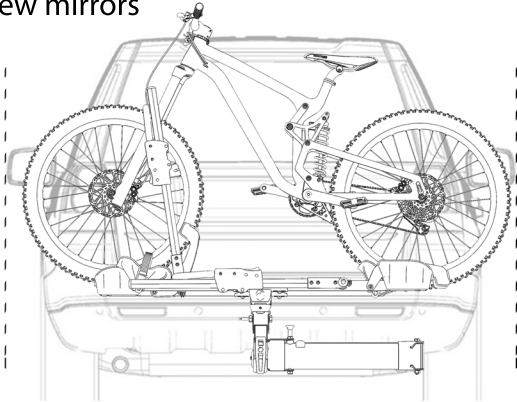
### 4 Secure Rear Wheel

Feed wheel strap through rear wheel and into buckle. Pull tight



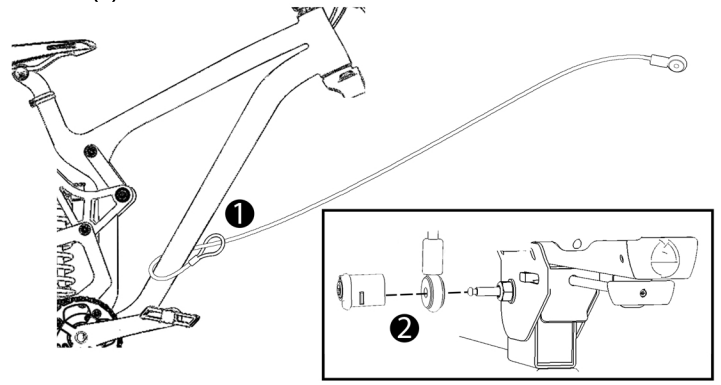
### 5 Check Mirrors

Be sure loaded bikes do not extend past width of side view mirrors



### 6 Locking Bike

Loop cable around outer bike frame, feed through frame(s) and lock cable to lock boss



## Warnings

- Remove Baby Seats, Panniers, U-Locks, or items that could detach from the bicycle.
- Do not use bicycle covers, bicycle bras, or bikes equipped with rear disc wheel.
- Not intended for off road use. Not intended for use on trailers or towed vehicles.
- Locks are only deterrents to thieves, RockyMounts™, Inc. cannot be held liable for stolen bicycles.
- Remove rack before entering a car wash.
- Check all fastenings (nuts, bolts and straps) before each use.
- Once a year, remove rack from car. Clean and inspect for damage.
- Only open rack when vehicle is parked on level ground. Locking handle must be fully tightened and rack must be secure before driving.

## Lifetime Warranty

Thank you for purchasing a RockyMounts™ product. We take pride in providing a great customer experience and manufacturing products that enable our customers to get their gear to their next colorful adventure.

As of January 1, 2014, RockyMounts™ products are covered for life to the original purchaser when used in accordance with the instruction manuals' assembly, installation and use guidelines.

If you feel something broke before it's time, please email us at [ride@rockymounts.com](mailto:ride@rockymounts.com) or call us at 800.873.1871. For the most efficient service, email a digital photo (we need this photo to verify the problem) of the product in question, a brief description of the situation, and your purchase receipt. Our techs will respond within one business day. Most of the time we'll replace the part in question, but we may ask for more details.

RockyMounts™, Inc. warranty only covers RockyMounts™, Inc. products. It does not cover theft, or damage to vehicles and/or equipment. All products purchased prior to Jan 1, 2014 are covered by a one-year warranty; see your product manual for details.