



FLAVOUR BLASTER

PRO 2

USER MANUAL



## CONGRATULATIONS

CONGRATULATIONS ON YOUR PURCHASE OF THIS FLAVOUR BLASTER PRO 2!  
FOR THE BEST EXPERIENCE PLEASE CAREFULLY READ AND FOLLOW THIS USER MANUAL.

For the latest information and to be part of a great and growing community please join our Bubble Heads Club:

<https://www.flavourblaster.com/account/register>



## WARNING

PLEASE READ THIS SECTION CAREFULLY TO ENSURE YOU RECEIVE MAXIMUM BENEFITS FROM YOUR FLAVOUR BLASTER PRO 2 AND ENJOY THE PRODUCT IN THE MOST SAFE EFFECTIVE WAY:

1. This Flavour Blaster is designed to be used with Flavour Blaster Aroma's and Bubble X only. It is not designed to be used with any e-liquids or loose tobacco leaf or herbal substances!
2. This product is only intended for use by adults (18+) and should not be used by children, women who are pregnant or breastfeeding, or persons with or at risk of heart disease, high blood pressure, diabetes or taking medicine for depression or asthma, or who otherwise may be sensitive to Aroma's. I.e. toxic by inhalation, in contact with the skin or eyes, or if swallowed. Ingestion of the non-vaporized concentrated Aroma ingredients can be poisonous. Keep away from children and pets.
3. The Flavour Blaster has not been evaluated by the FDA and is not intended to be a smoking device or treat, mitigate, prevent or cure any disease or condition.
4. The Tank & Coils must be stored out of the reach of children and pets. All spare and used Tanks and Coils must also be disposed of properly and out the reach of children and pets.
5. The Flavour Blaster includes small parts such as the Tank Coil. Always keep any small parts out of reach of children and pets to prevent swallowing or other harm.
6. Do not misuse, mishandle or store your Flavour Blaster improperly. Even though it is made of durable plastic and metal it may become damaged when dropped or otherwise mishandled.
7. Do not attempt to repair the unit by yourself as damage or personal injury may occur.
8. In order to guarantee the normal functioning of your Flavour Blaster we strongly advise that you charge the battery when the power level drops below 10%.



9. In order to prolong the operation of your Flavour Blaster, please do not place or store in excessively hot or cold environments. Keep away from sources of excessive heat as damages may occur.
10. Obey local laws or regulations regarding Electronic Cigarettes when producing Aroma Clouds. If you are in an area where there are any bans or potential dangers, please do not use your Flavour Blaster.
11. Your Flavour Blaster is not waterproof, please keep it dry at all times, especially the USB Port. Place the USB Mag Cover in the USB Port when not charging the Flavour Blaster to protect the USB Port from liquid damage.
12. Do not allow any Aroma, Bubble X, or liquid to enter the device through the USB port. If any liquids enter the device, or come into contact with internal components, please discontinue using or charging the device and contact JetChill immediately.
13. Do not drop, throw, mishandle your Flavour Blaster as the Casing or inner components may become damaged.
14. JetChill is not responsible for battery and charger explosions, or malfunctions, due to the use of a low-quality charger. Only use the original Flavour Blaster Mirco USB Cable to charge your Flavour Blaster. We strongly recommend that you always use a high quality USB wall charger (CE & UL Certified). The Flavour Blaster is not designed for use with a car charger and the Kit does not include a car charger.
15. JetChill is not responsible for any tank or battery damage due to the use of e-liquid or dry herb.
16. Do not ingest Aroma direct from the Bottle. In case of Aroma contact with skin, wash immediately and thoroughly with soap and water. In case of contact with eyes, rinse immediately and thoroughly with water and seek full medical advice immediately. In case of an accident, or if you feel unwell, seek full medical advice.
17. Do not ingest Bubble X direct from the bottle. If swallowed, rinse mouth immediately with plenty of water and drink a glass of water. Do not induce vomiting. Rinse off the skin and eyes immediately should the liquid come into contact with them.



## BATTERY

To charge your Flavour Blaster Battery connect the correctly powered Micro Mag USB Cable to the Micro USB Input Port. The Screen will show the Battery charge %. A full Battery charge will take 8 hours, giving the Flavour Blaster 8 hours of usage time.

PLEASE READ AND ADHERE TO THE FOLLOWING WARNINGS WHEN CHARGING YOUR DEVICE:

- Only charge the Flavour Blaster with a high quality CE & UL Certified wall charger.
- Never charge a Battery that has been damaged or dropped.
- Never plug a Charger into a non-approved Mains Power Transformer.
- Do not overcharge, remove the Micro Mag USB Cable from the Flavour Blaster when complete to prolong battery life.
- Remove Tank before charging.
- Never leave a charging battery unattended.
- Only use the included high quality Micro Mag USB Charging Cable.
- Do not charge your Flavour Blaster in your car.
- Remove the Tank from the Flavour Blaster when shipping or travelling.
- If there are any issues with the device please contact JetChill immediately.



## BUBBLE X

Create bubbles filled with aromatics, fill cloches with aromatic clouds, make your own aromatic clouds for cocktail & drinks, add theatrical clouds for desserts, and much more.



1. Bubble mixture should be shaken gently prior to use or every 24 hours



2. Bubbles can be created on both wet and dry rims. You can create a wet rim by rinsing the glass or by using a fine mist spray bottle like an atomiser. Sometimes bubbles are fragile so it's always best to prepare the glass for the best chance of achieving the perfect bubble.



3. Carbonated drinks can occasionally pop your bubble as gas bubbles hit the rim of the glass, breaking the surface tension. Always leave a 2cm to 3cm gap between top of drink and rim. Note if alcohol is strong or neat, the bubble is harder to form, as the alcohol will evaporate the water in the film of the bubble.



4. Sharp glass edges, shaped glassware, plastic rim and drinks containing ice will be very difficult to form a bubble upon. We recommend using glassware with soft rolled edges.



5. Glassware must be clean and washed correctly. Residue detergent from a glass washer may compromise the forming of the bubble.



6. Always try and keep the bubble mixture at 18c room temperature. If it gets too warm it can make it harder to form bubbles!

### BUBBLE QUANTITIES

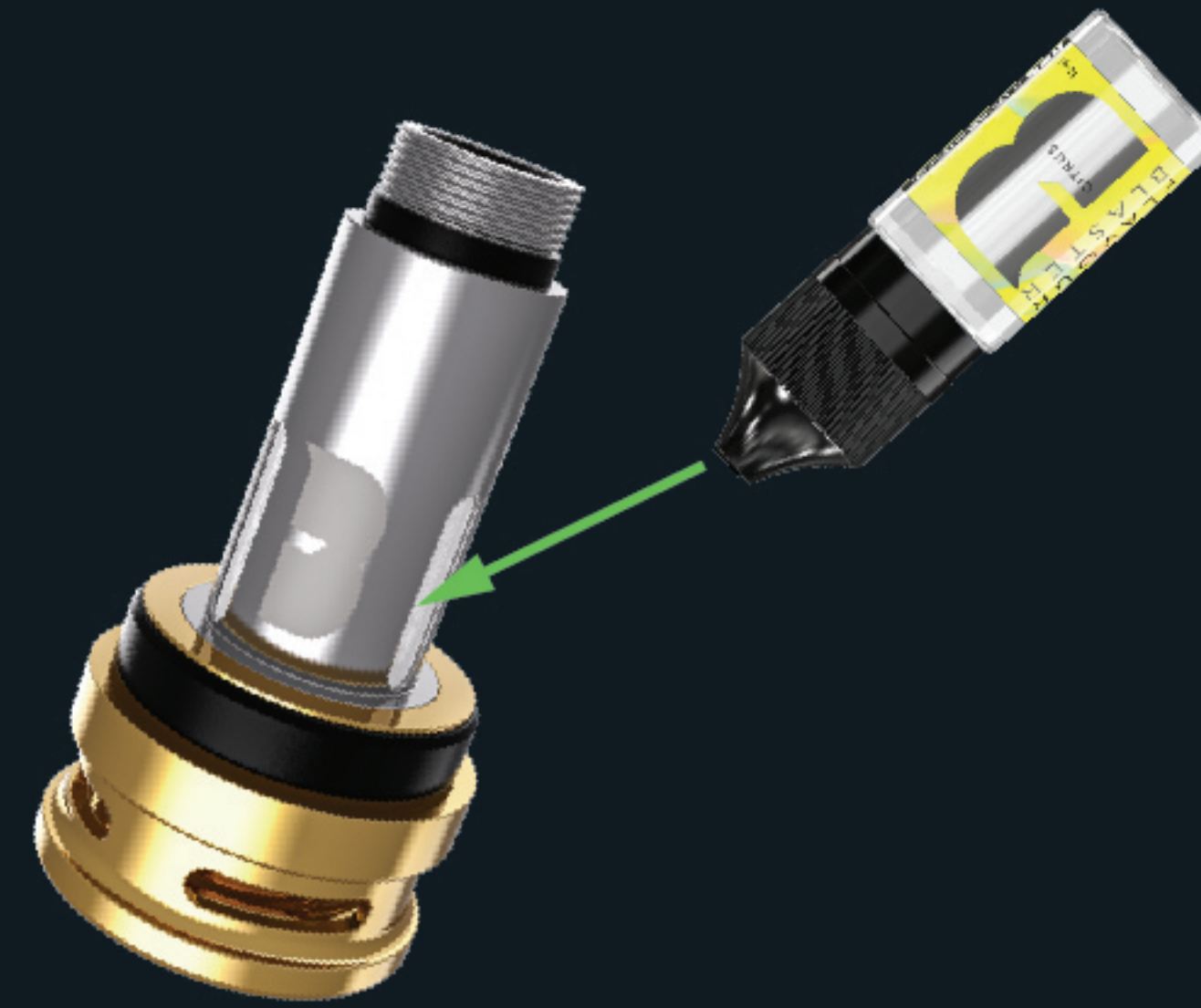
1. 180ml bottle of Bubble X makes 1000 bubbles.
2. 10ml bottle of Aroma makes 250 aroma clouds.

## FILL REUSABLE TANK



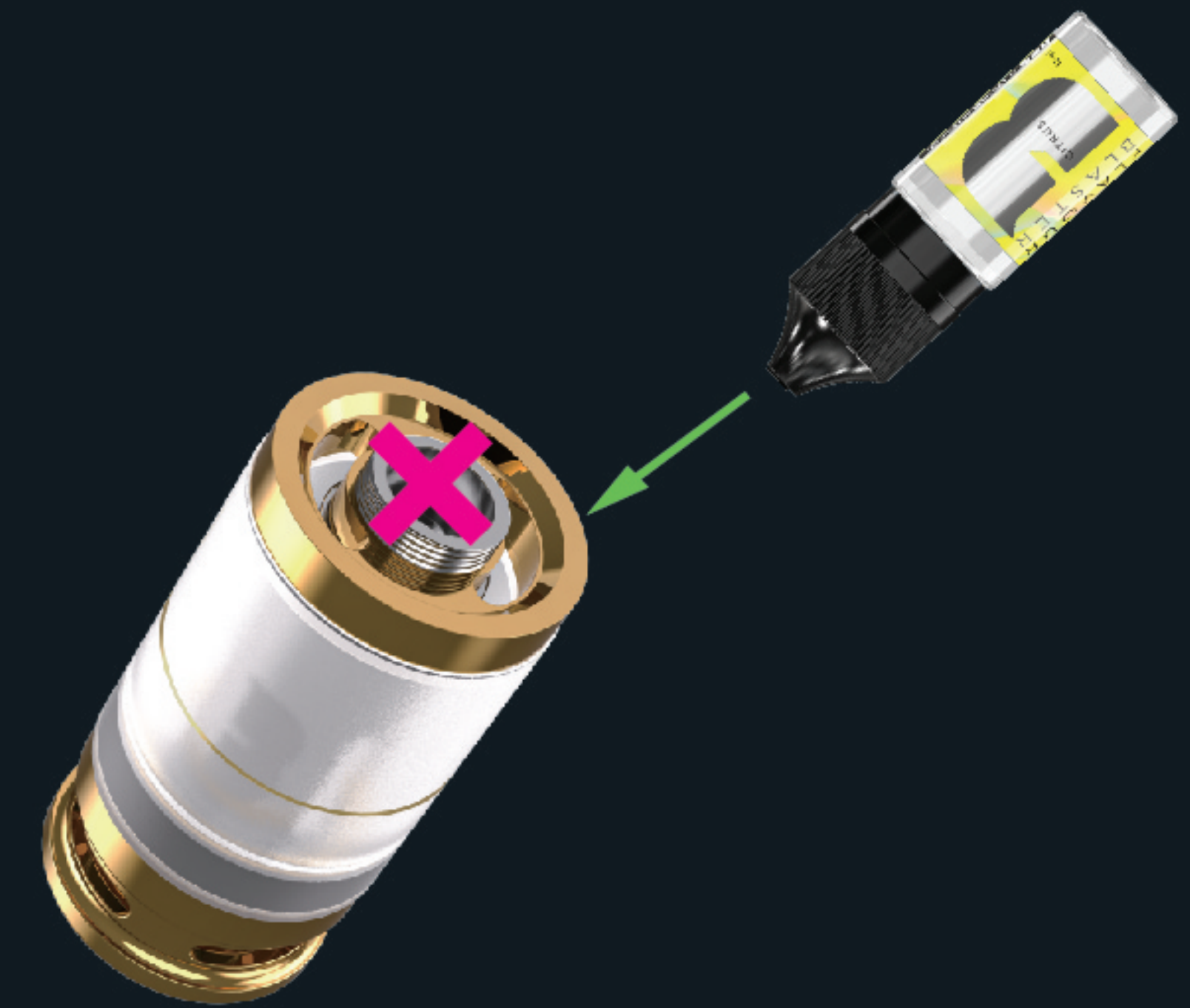
### 1. CHECK COIL

Ensure Coil screwed tight into Base  
And 3x Rubber Seals in place



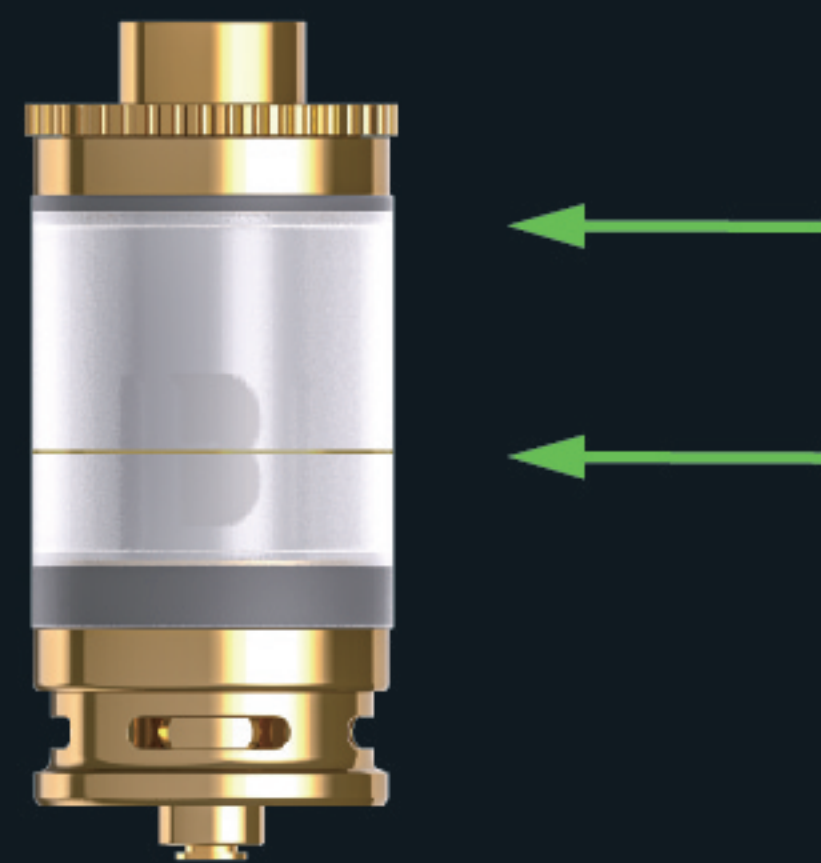
### 2. PRIME COIL COTTON

Allow small amount of Aroma  
to absorb into Coil Cotton



### 3. FILL TANK

Tightly screw Tank parts together  
Pour Aroma into Outer (not Inner) Hole



### 4. FILL LINE

Fill to Min & rest for 2 minutes  
Then fill to Max & rest for 2 minutes



### 5. CONNECT TANK

Ensure Tank is not leaking  
Then connect to Mag Base



### 6. CHANGE COIL

Recommended every 4 weeks



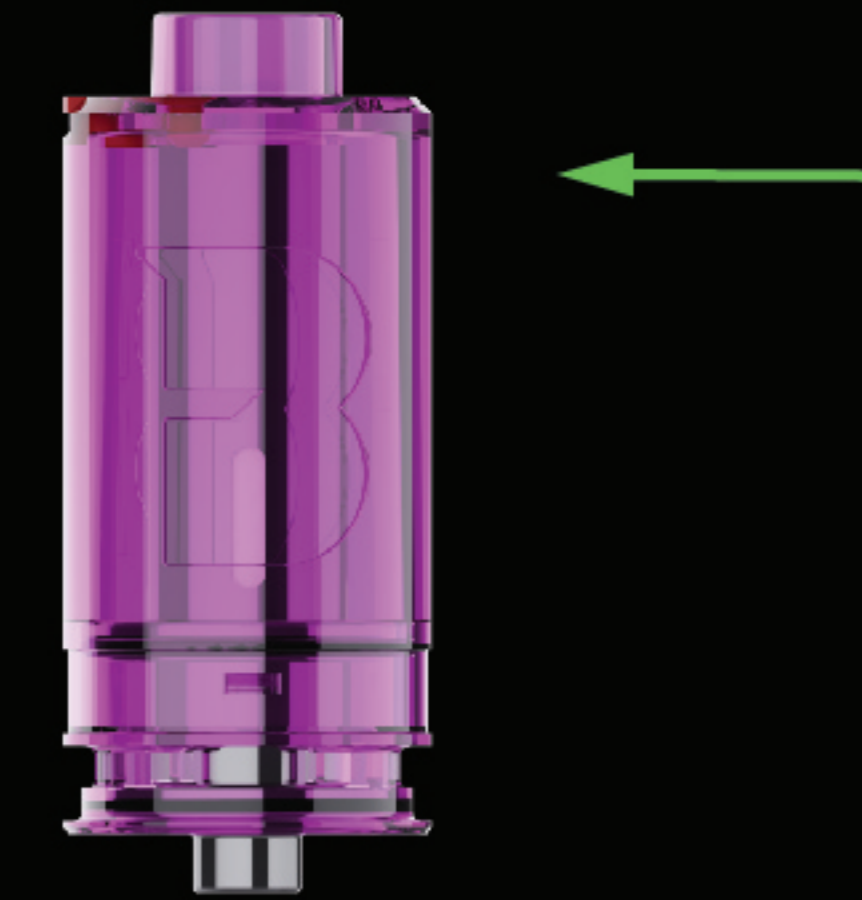
# FILL DISPOSABLE TANK



**1. OPEN FLAP**  
Pull Outer Hole Flap open



**2. FILL TANK**  
Pour Aroma into Outer (Not Inner) Hole



**3. FILL LINE**  
Fill to Max then rest for 2 minutes



**4. CONNECT TANK**  
Connect to Mag Base



**5. REPLACE TANK**  
Every 8 Weeks  
Or once Aroma Cloud smells burnt



**6. CLEANING**  
Clean Base with alcohol wipe



# LIQUIDS



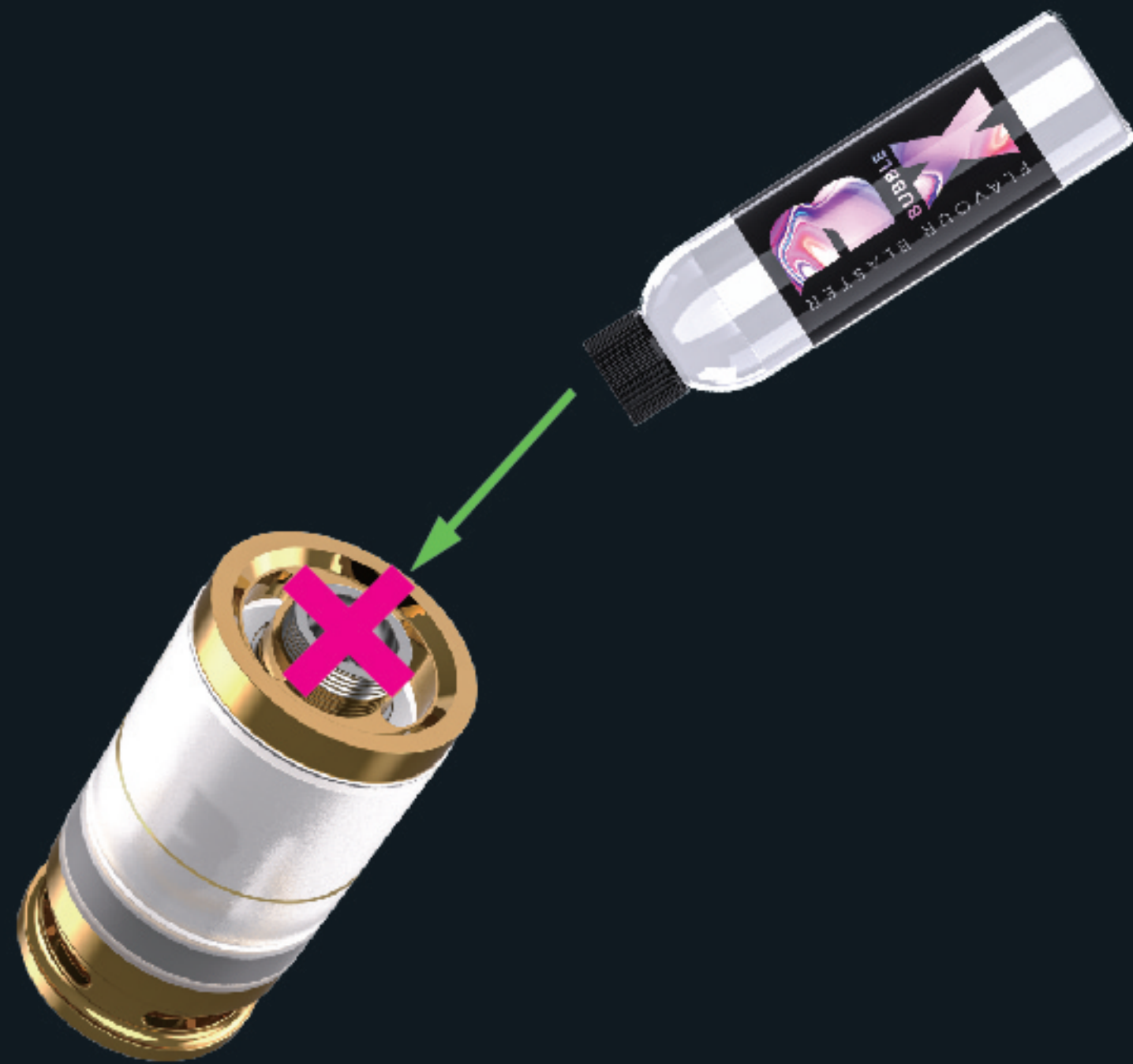
**1. STORE UPRIGHT**  
Handle with care around liquids



**2. ONLY DIP NOZZLE END**  
Don't dip whole Nozzle into Bubble X



**3. DON'T TIP BACKWARDS**  
To prevent liquids leaking into Blaster



**4. NO BUBBLE X IN TANK**  
To prevent Tank damage & leaking



**5. CLEANING**  
Clean with alcohol wipe after use



**6. REMOVE TANK**  
When not in use to prevent leaking

## CLEAR BUBBLE



1. PRESS TRIGGER TWICE



2. DIP NOZZLE IN BUBBLE X



3. PULL TRIGGER



4. PRESS TRIGGER TWICE  
To produce Aroma again

## RGB



### 1. WHITE LED FLASHES

- x3 Temperature too high
- x4 Excess use heat protection
- x5 Power On/Off



### 2. RED LED FLASHES

- x3 Tank not detected
- x5 Battery wattage low



### 3. GREEN LED FLASHES

- x3 Coil needs replacing
- x5 Tank detected

## RGB COLOUR CHANGE

- i) Press and hold RGB button for 3 seconds to turn on 4 colours  
RGB starts auto colour cycle mode  
Each color switching time is 3 seconds
- ii) Press for 3 seconds to exit cycle mode
- iii) Press 3 times (within 2 seconds) to select colour
- iv) Press 1 time to change a color
- v) Press for 3 seconds to enter cycle mode



# SCREEN



1. 100% BATTERY



2. 80% BATTERY



3. 60% BATTERY



4. 40% BATTERY



5. 10% (FLASHING)



6. NO BATTERY (PLUG IN USB)



# CLEAN REUSABLE TANK



1. UNSCREW LID



2. PULL OFF GLASS COVER



3. UNSCREW COIL



4. ALCOHOL WIPE PARTS (NOT COIL)



5. ALCOHOL WIPE TANK BASE



6. ALCOHOL WIPE MAG BASE



# QUICK START



**1. CHARGE BLASTER**  
Insert Micro Mag USB Cable



**2. FILL TANK**  
Pour Aroma into Tank



**3. INSERT TANK**  
Insert Tank & add Nozzle



**4. TURN ON**  
Press Trigger 5 times



**5. DIP NOZZLE**  
Into Bubble X Jigger



**6. HOLD TRIGGER**  
Creates Aroma Filled Bubbles

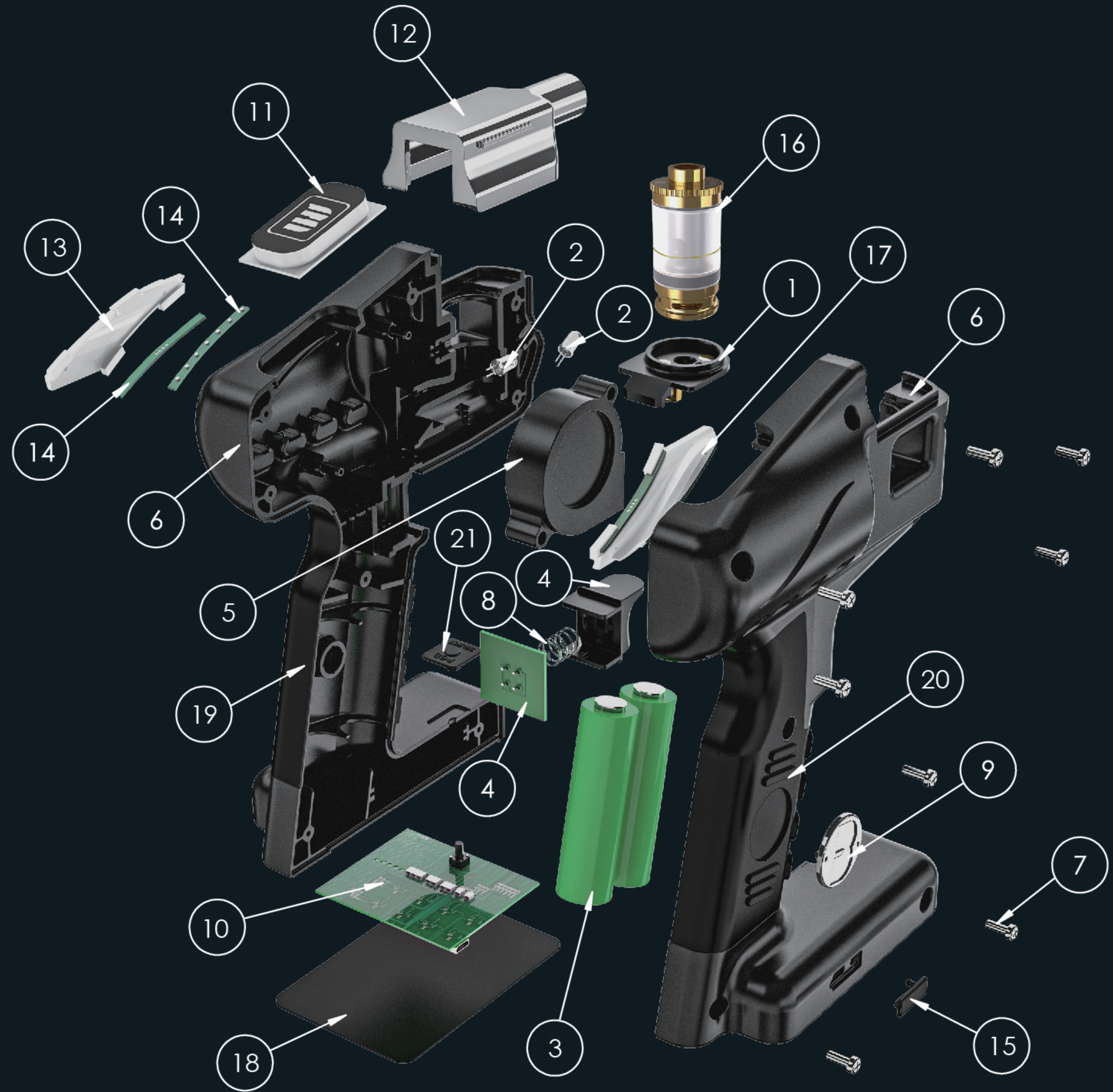


## PARTS LIST

1. Mag Base
2. LED
3. Battery Pack
4. Trigger
5. Fan
6. Casing
7. Screw
8. Trigger Spring
9. Badge
10. PCB
11. Screen
12. Nozzle
13. LED Wave L
14. LED Wave PCB
15. USB Cover
16. Tank
17. LED Wave R
18. Foot
19. Inlay L
20. Inlay R
21. RGB Button

### FLAVOUR BLASTER KIT INCLUDES:

- 1x Flavour Blaster Pro 2
- 1x Micro Mag USB Cable
- 1x Reusable Tank
- 1x Disposable Tank
- 5x Tank Coil
- 5x Aroma
- 1x Bubble X
- 1x Bubble X Bowl





## **SAFETY**

ALWAYS STORE THE FLAVOUR BLASTER IN AN UPRIGHT POSITION:  
**THIS WILL PREVENT ANY LIQUIDS ENTERING INSIDE THE CASING.**

### **POWERING THE FLAVOUR BLASTER ON & OFF:**

Press the Trigger 5 times in quick succession to turn on the Flavour Blaster.

Press the Trigger 5 times in quick succession to turn off the Flavour Blaster.

Always power off the Flavour Blaster when it is not being used and remove the Tank.

### **8 SECOND CUT OFF:**

If Trigger is pressed for 8 seconds Flavour Blaster will stop firing until Trigger is released and pressed again.

### **TANK:**

Do not pour alcohol into tank, this can cause fire.

Tank / Coil will get hot during use so ensure Tank is allowed to cool down before removing Tank from Blaster.

### **SHIPPING & TRAVELLING:**

Remove Tank when shipping or traveling to prevent Tank activating if Flavour Blaster inadvertently turns on.

Follow rules regarding shipping or traveling with a device with 2 permanently installed Lithium Ion Batteries.

The Batteries are not removable or loose in the device.

### **SHORT CIRCUIT PROTECTION:**

Short Circuit Protection prevents the Flavour Blaster against short circuiting and will stop the unit from functioning in unsafe conditions. The Flavour Blaster features automatic real-time Tank Ohms detection.

### **OVER CHARGE PROTECTION:**

Flavour Blaster monitors the battery voltage and will automatically power off when the battery is over charged.



## TECHNICAL SPECIFICATIONS

Battery (Lithium Ion):	5,000 mAh, 2x 3.6 V (INR18650-30Q)
Output Power:	30 W
Output Voltage:	2.99-3.7 V
Output Current (continuous):	4.0-10.0 A
Atomizer Resistance (cold):	0.1-1.2 Ohm
Temperature Limit:	200-600 °F
Input Voltage (unloaded):	5 V 1 A
Input Current:	8.0-10.0 A
Screen On Current:	<20 mA
Quiescent Current:	<50 mA
Power Down Current:	32-106 µA
Efficiency:	90%

## WARRANTY INFORMATION

JetChill provides a 12 month warranty on parts and labour for the Flavour Blaster. Please consult [www.flavourblaster.com](http://www.flavourblaster.com) for full terms and conditions. For warranty assessment the Flavour Blaster needs to be returned to the factory. Empty Tank before shipping and ensure Tank is not connected to the Mag Base:

- i) JetChill Ltd, Print Centre, Fulwell Road, Roker, Sunderland, SR6 0HR, UK, [info@jetchill.com](mailto:info@jetchill.com), 0044 208 1243014
- ii) On Commercial Invoice shipping label write package value as '£10' and reason for shipment as 'Warranty Return'
- iii) Email [sharon@jetchill.com](mailto:sharon@jetchill.com) tracking number and order number





FLAVOUR  
BLASTER

JetChill Ltd  
The Printcentre Building  
Fulwell Road  
Sunderland  
UK  
SR6 0HR

[www.flavourblaster.com](http://www.flavourblaster.com)  
[www.jetchill.com](http://www.jetchill.com)  
[info@jetchill.com](mailto:info@jetchill.com)  
(uk): 00 44 (0) 208 1243014  
(usa): 00 1 (469) 469-3181

