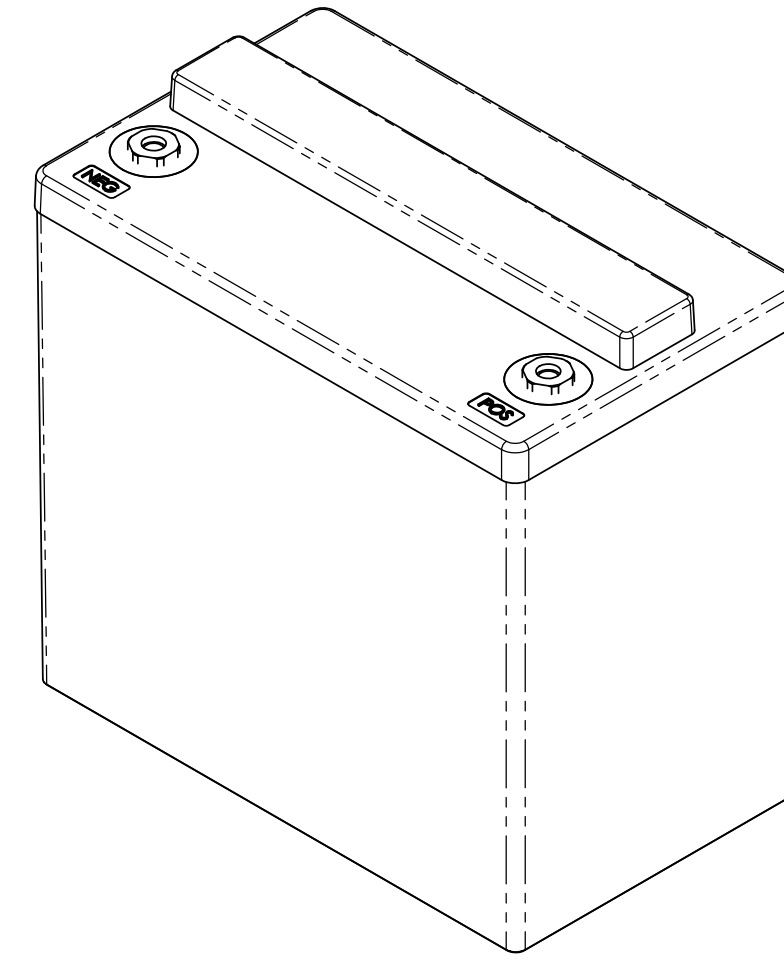
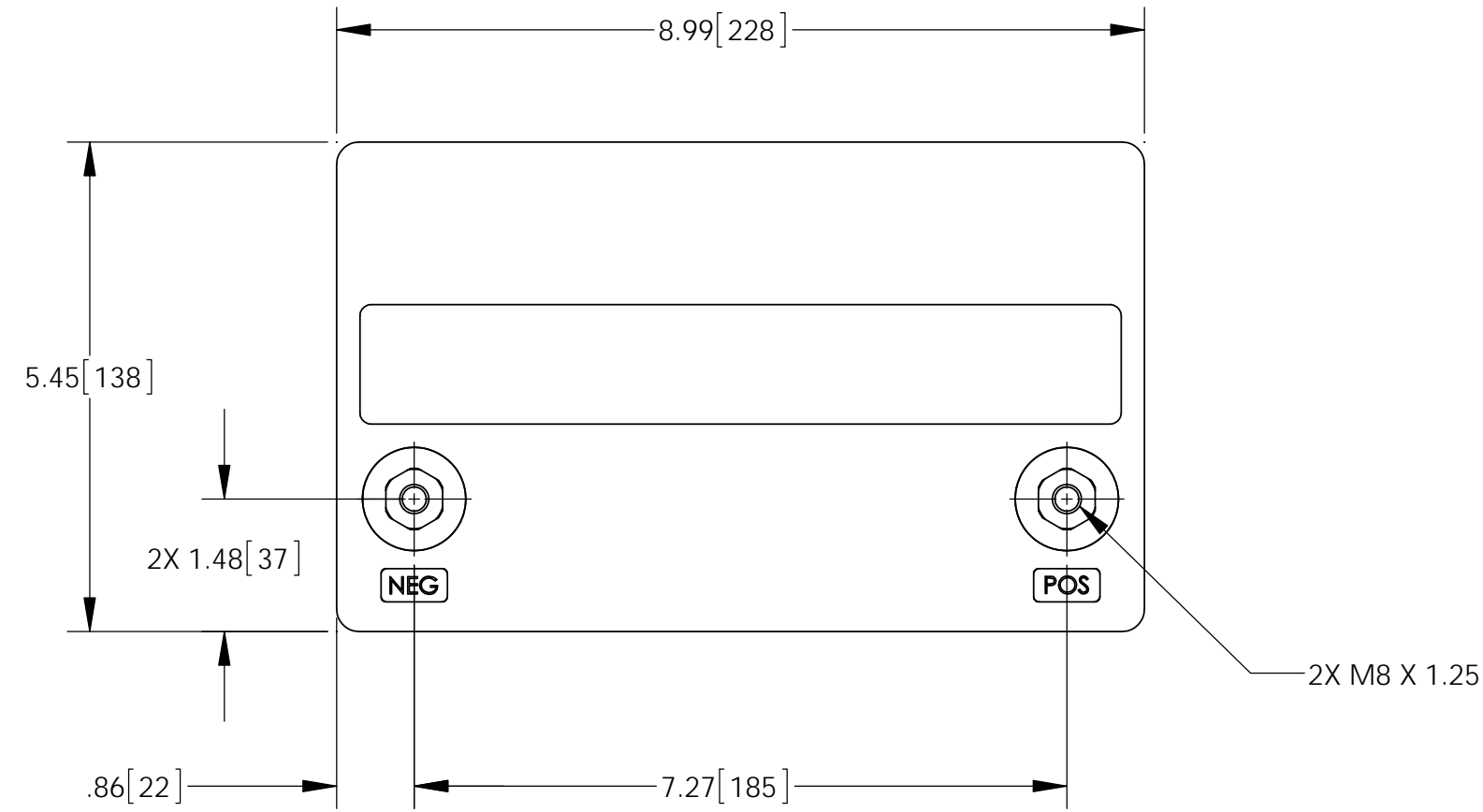


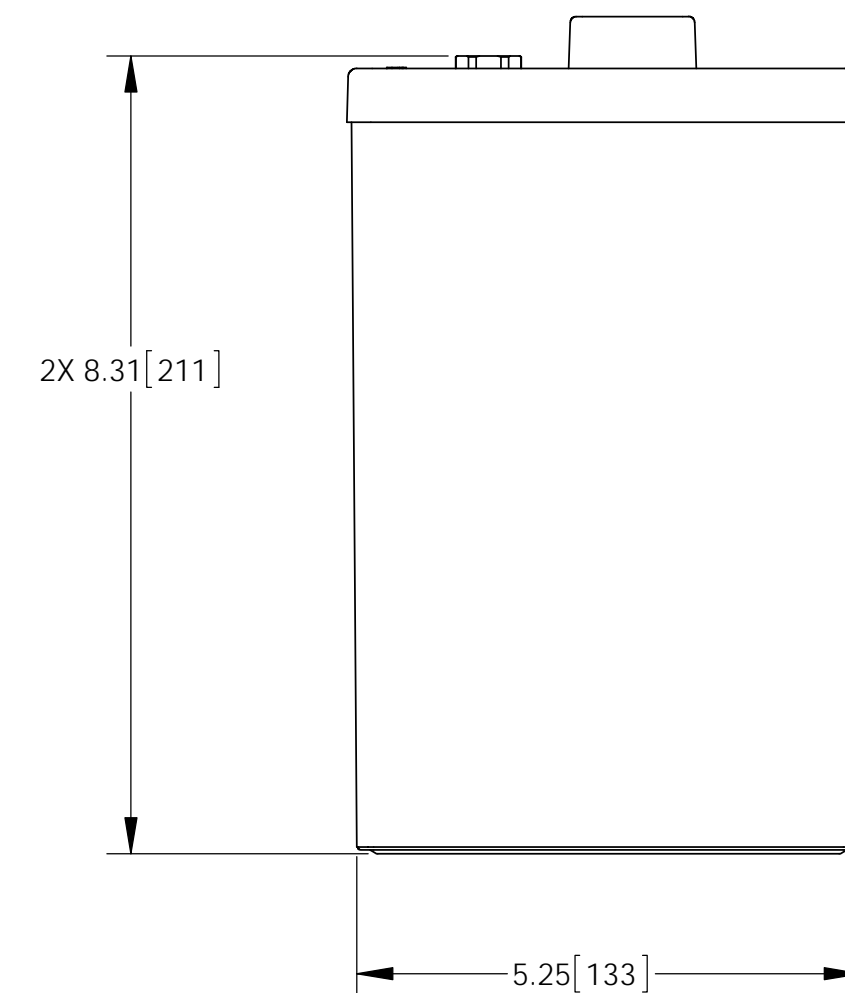
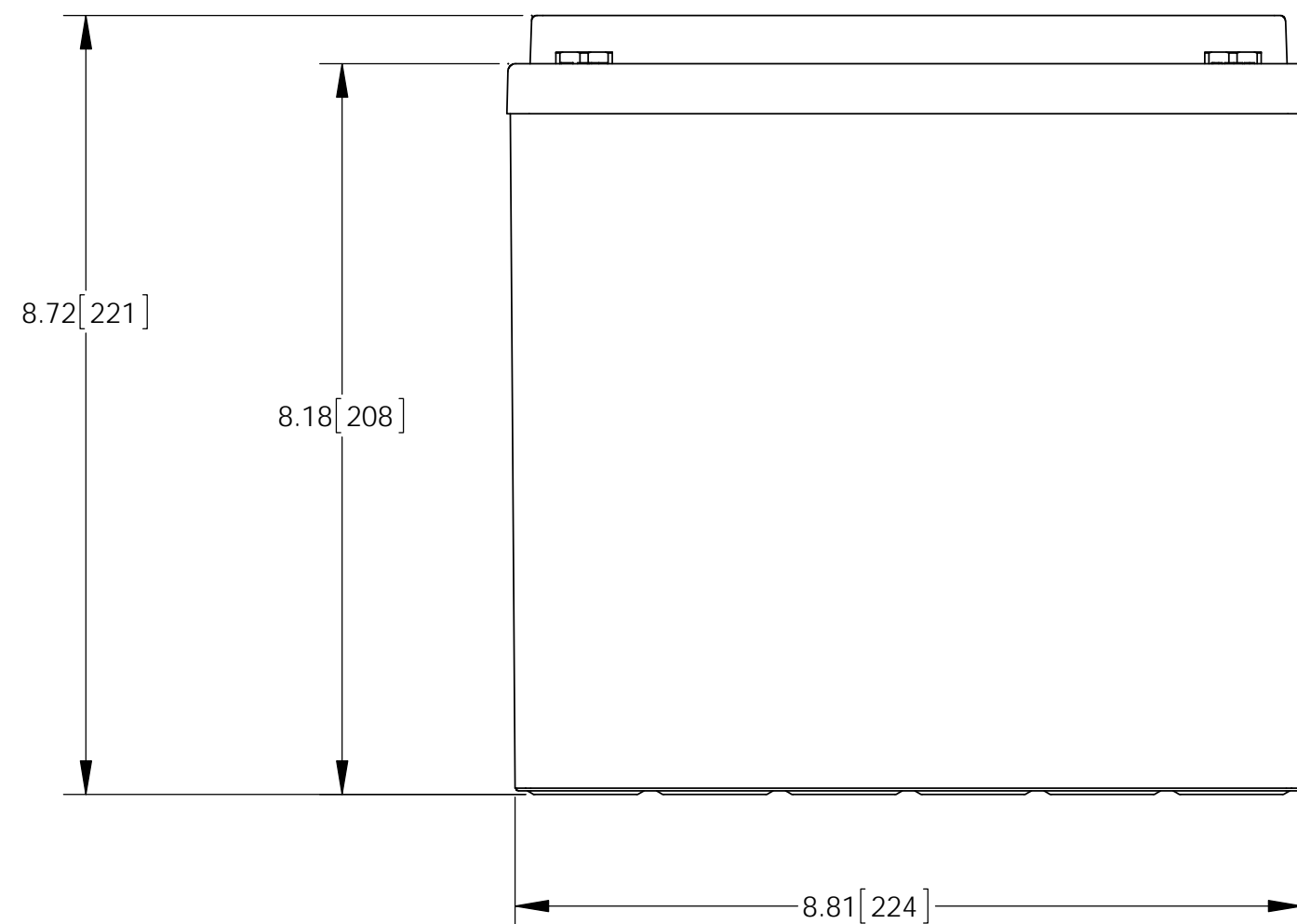
NOTES: UNLESS OTHERWISE SPECIFIED

1. SEE DRAWING NO. CB-00282 AND PROCEDURE P-1000 FOR ASSEMBLY AND TEST INSTRUCTION. PROCEDURES AND ASSEMBLY DRAWINGS ARE FOR INTERNAL USE ONLY.
2. ALL TESTING ARE IAW BATTERY COUNCIL INTERNATIONAL STANDARDS.
3. ALL DIMENSIONS ARE IN INCHES [MM].
4. ABBREVIATION USED IN TITLE IS: SEALED LEAD ACID (SLA).

REVISIONS			
REV	DESCRIPTION	DATE	APPROVED
A	REV HEIGHT DIMS	8/1/13	JBT



REFERENCE VIEW



ENVELOPE DRAWING

CAPACITY RATINGS		
PART NUMBER	PVX-490T	PVX-560T
NOMINAL WEIGHT	36 LBS [16.4 KG]	40 LBS [18.2 KG]
AMPERE HOUR CAPACITY @24 HOUR 1.75 VOLTS/CELL @77 ° F (25 ° C)	49 AH	56 AH

UNLESS OTHERWISE SPECIFIED DIMENSIONS ARE IN INCHES TOLERANCES ARE:			CONTRACT NO.		CONCORDE BATTERY CORPORATION 2009 SAN BERNARDINO RD, W. COVINA, CA 91790					
FRACTIONS	DECIMALS	ANGLES	APPROVALS		DATE		TITLE			
±1/32	.XX ± .06 XXX ± .030	±1°	DRAWN ELH		8/13/01		BATTERY, SLA, 12 VOLT, PVX-560T SERIES			
TREATMENT	NONE		CHECKED HRF		8/20/01		SIZE	CAGE CODE	DWG NO.	REV
FINISH	NONE		APPROVED JBT		8/23/01		C	63017	PVX-560T	A
SIMILAR TO	CALC W/T		ISSUED BT		8/5/13		SCALE	1:2	SHEET 1 OF 1	
NA	NA									