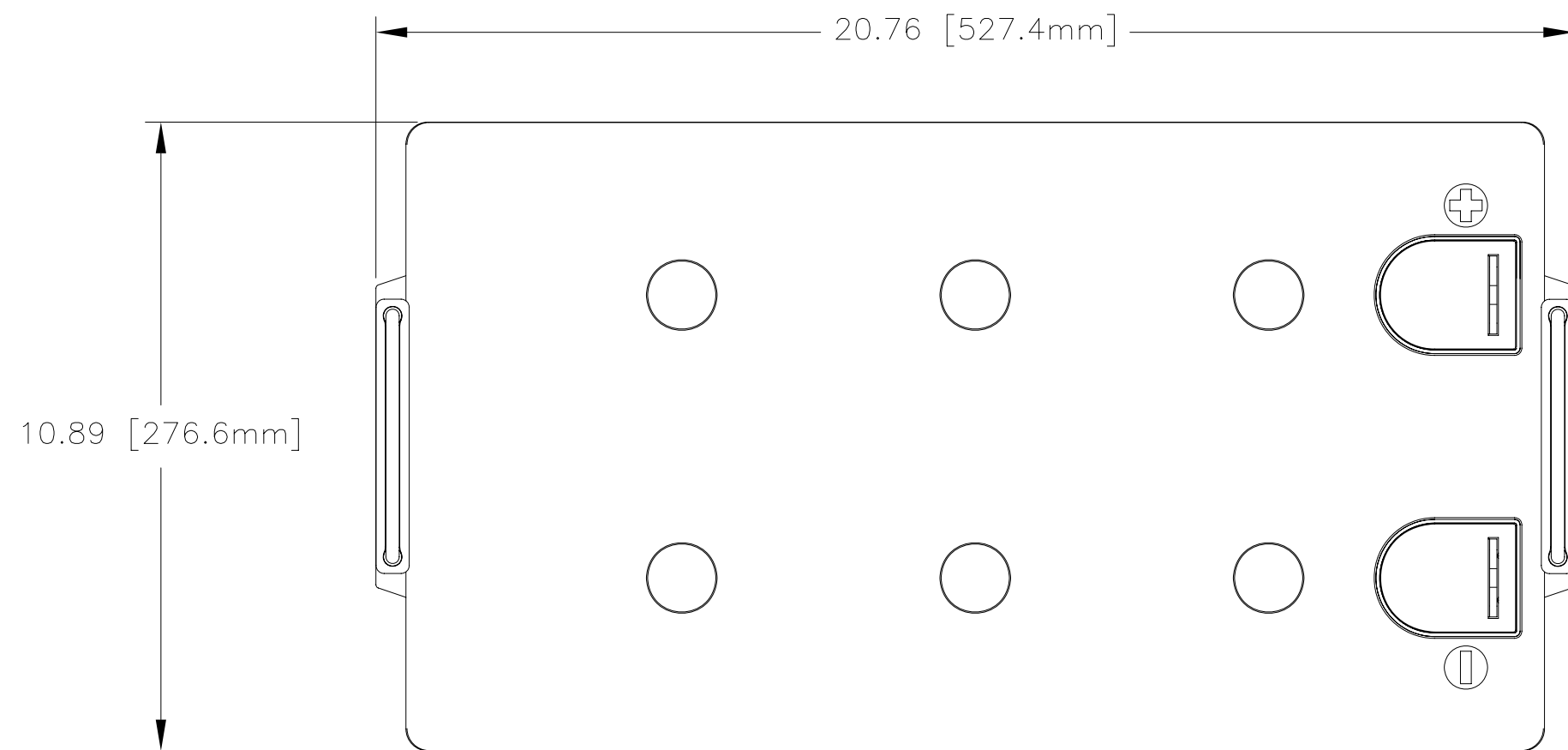


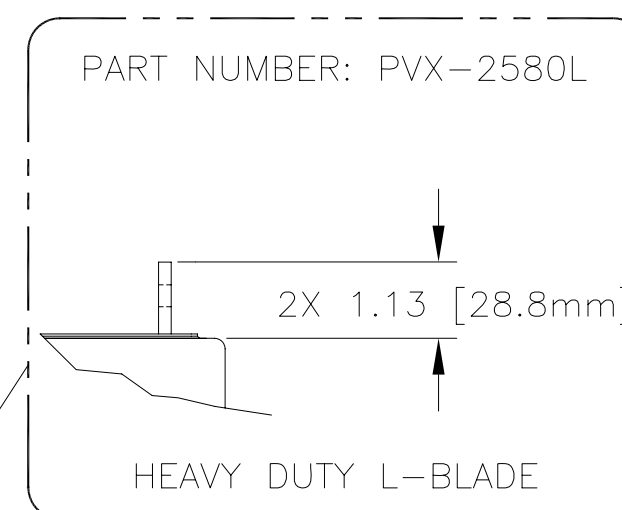
NOTES: UNLESS OTHERWISE SPECIFIED

1. SEE DRAWING NO. CB-00295 AND PROCEDURE P-1000 FOR ASSEMBLY AND TEST INSTRUCTION. PROCEDURES AND ASSEMBLY DRAWINGS ARE FOR INTERNAL USE ONLY.
2. ALL TESTING IS PERFORMED IAW BATTERY COUNCIL INTERNATIONAL STANDARDS.
3. ALL DIMENSIONS ARE INCH [MM].
4. ABBREVIATION USED IN TITLE IS: SEALED LEAD ACID (SLA).

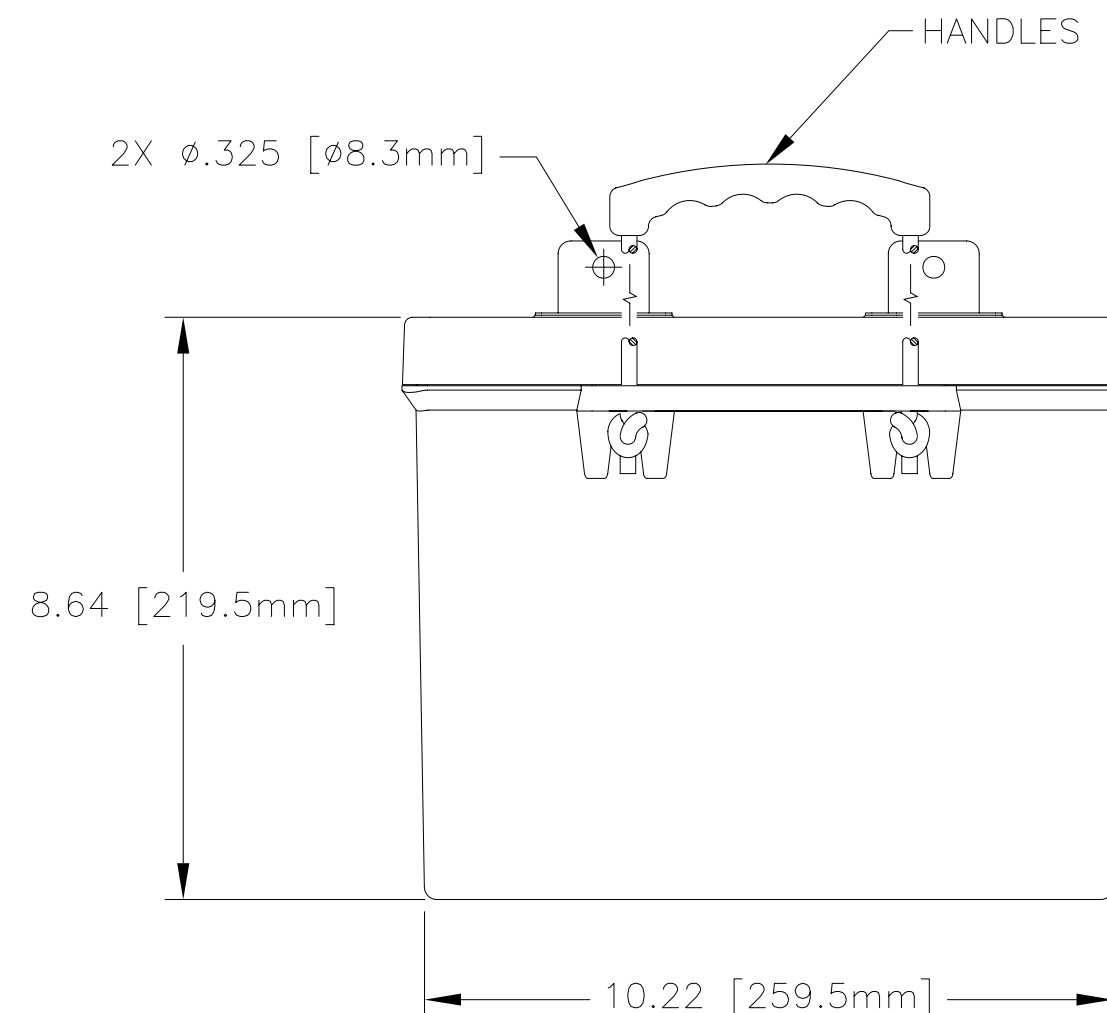
REVISIONS			
REV	DESCRIPTION	DATE	APPROVED
E	SEE DCN PVX2580E	8/10/11	JBT



PVX-2580 TERMINAL OPTION



NOTE: SEE OPTION LISTED



ENVELOPE DRAWING

CAPACITY RATINGS	
PART NUMBER	PVX-2580
NOMINAL WEIGHT	159 LBS[72.1 KG]
AMPERE HOUR CAPACITY @ 24 HOUR 1.75 VOLTS/CELL @ 77°F (25° C)	258 AH

QTY REQD	CAGE CODE	PART OR IDENTIFYING NO.	NOMENCLATURE OR DESCRIPTION	MATERIAL SPECIFICATION	ITEM NO.
PARTS LIST					
UNLESS OTHERWISE SPECIFIED DIMENSIONS ARE IN INCHES TOLERANCES ARE: FRACTIONS DECIMALS ANGLES ± 1/32 .XX ± .06 ± 1° .XXX ± .030			CONCORDE BATTERY CORPORATION 2009 SAN BERNARDINO RD, W. COVINA, CA 91790		
TREATMENT NONE		APPROVALS ELH		DATE 8/13/01	
FINISH NONE		CHECKED HRF		DATE 8/21/01	
SIMILAR TO		APPROVED JBT		DATE 8/23/01	
ACT WT		ISSUED JJ		DATE 8/12/11	
CALC WT		SCALE NONE		SHEET 1 OF 1	
TITLE BATTERY, SLA, 12 VOLT, PVX-2580			REV E		
SIZE C			CAGE CODE 63017		
DWG NO. PVX-2580			REV E		