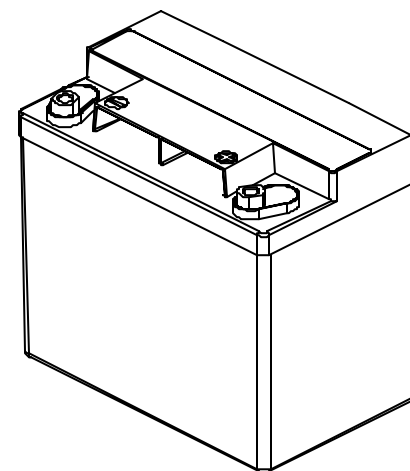
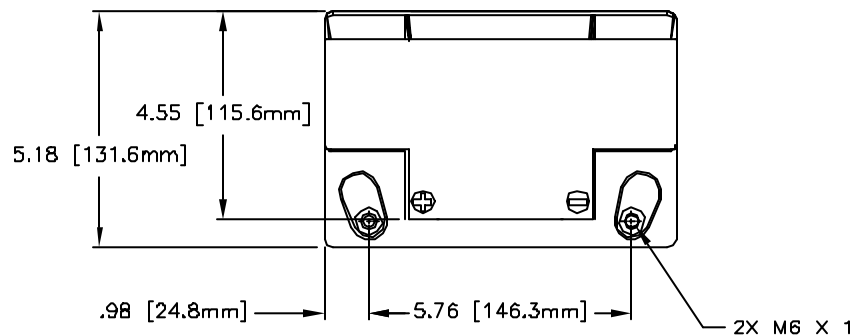


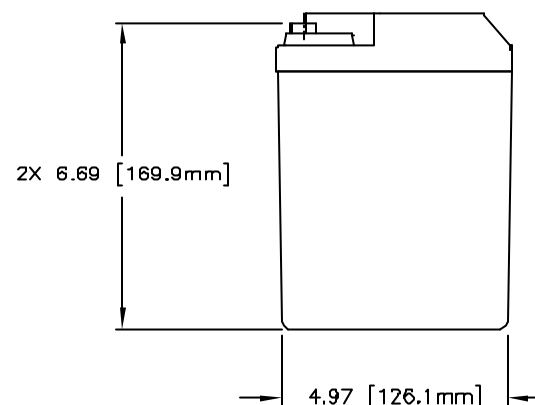
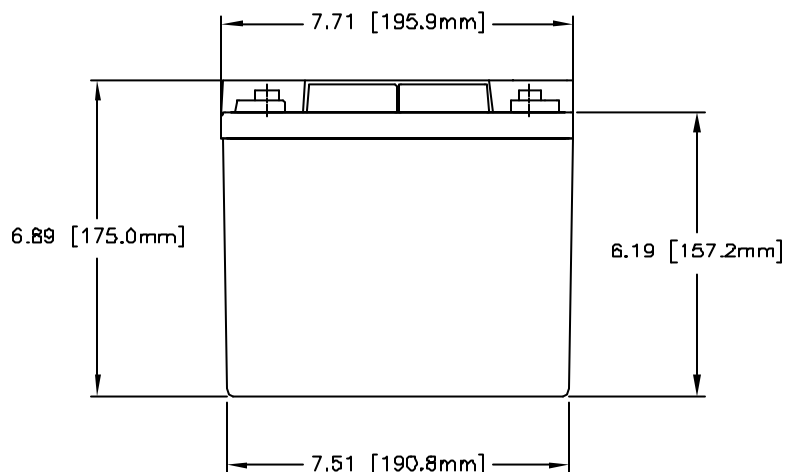
NOTES: UNLESS OTHERWISE SPECIFIED

1. SEE DRAWING NO. CB-00304 AND PROCEDURE P-1000 FOR ASSEMBLY AND TEST INSTRUCTION. PROCEDURES AND ASSEMBLY DRAWINGS ARE FOR INTERNAL USE ONLY.
2. ALL TESTING ARE IAW BATTERY COUNCIL INTERNATIONAL STANDARDS.
3. ALL DIMENSIONS ARE IN INCHES [MM].

REVISIONS			
REV	DESCRIPTION	DATE	APPROVED
A	REV TERM SIZE WAS: M8 X 1.25	12/23/00	JBT



REFERENCE VIEW



CAPACITY RATINGS	
PART NUMBER	GPL-U1T
NOMINAL WEIGHT	24 LBS[10.9 KG]
AMPERE HOUR CAPACITY @ 20 HOUR 1.75 VOLTS/CELL @ 77°F (25° C)	33 AH
MINUTES OF DISCHARGE @ 25 AMPS 1.75 VOLTS/CELL @ 77°F (25° C)	50 MIN

ENVELOPE DRAWING

QTY REQD	CAGE CODE	PART OR IDENTIFYING NO.	NOMENCLATURE OR DESCRIPTION	MATERIAL SPECIFICATION	ITEM NO.
PARTS LIST					
UNLESS OTHERWISE SPECIFIED DIMENSIONS ARE IN INCHES TOLERANCES ARE: FRACTIONS DECIMALS ANGLES .XX ±.06 .XXX ±.005			CONCORDE BATTERY CORPORATION 2009 SAN BERNARDINO RD, W. COVINA, CA 91790		
APPROVALS		DATE	TITLE		
DRAWN ELH		3/22/00	BATTERY, 12 VOLT, GPL-U1T		
CHECKED S. VALDEZ		3/22/00	SIZE	CAGE CODE	DWG NO.
APPROVED DG		3/23/00	C	63017	GPL-U1T
SIMILAR TO N/A	ACT WT N/A	SALE WT N/A	ISSUED AT	1/11/01	SCALE NONE
				SHEET	1 OF 1