

# BENCH/ FLOOR SCALE

- 6,000 DIVISIONS
- AUTO CALIBRATION
- AUTO-OFF FUNCTION
- AUTO ZERO TRACKING
- FULL TARE FUNCTION
- LOW BATTERY WARNING

- SIMPLE COUNTING FUNCTION

(10, 20, 50, 100, 200) PIECES

- **NEW!!** LARGER 2 INCH LCD DISPLAY

- ADJUSTABLE INDICATOR-TABLE OR TOWER
- RS232 PRINTER INTERFACE
- RECHARGEABLE BATTERY & AC POWER
- TABLE OR TOWER MOUNT INDICATOR
- ALUMINUM DIE CAST BASE W/ STAINLESS STEEL  
PLATFORM COVER
- OVERLOAD PROTECTION

SPECIFICATIONS ARE SUBJECT TO CHANGE WITHOUT NOTICE

## PLATFORM SIZE

13 <sup>3</sup>/<sub>4</sub>" x 17 <sup>3</sup>/<sub>4</sub>"

## TOWER HEIGHT

21 <sup>1</sup>/<sub>2</sub>"

## OPERATING TEMPERATURE

0° - 40°C (32° - 104°F)

## SHIPPING WEIGHT

33 lb

## PSC-RS SERIES

30 kg X 0.005 kg 66 lb X 0.01 lb 66 lb X 0.2 oz

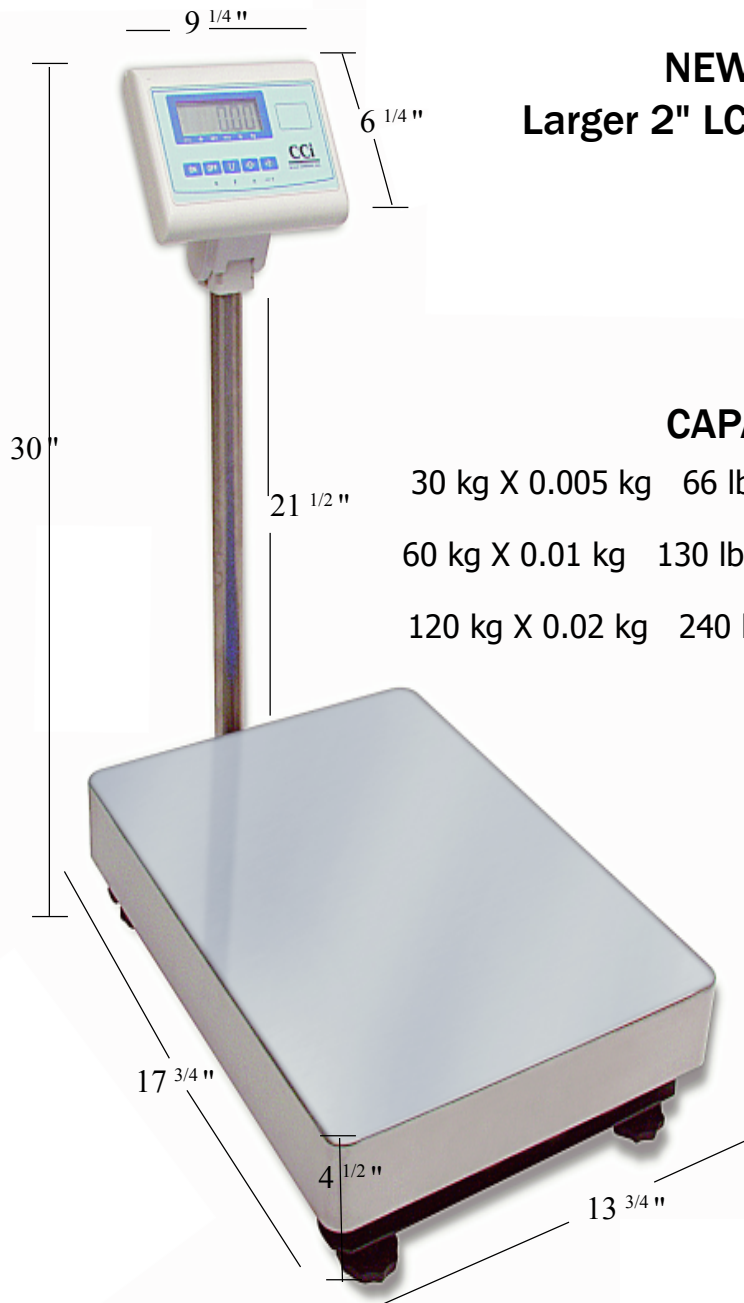
60 kg X 0.01 kg 130 lb X 0.02 lb 130 lb X 0.5 oz

120 kg X 0.02 kg 240 lb X 0.05 lb 240 lb X 1 oz



**CCi**  
SCALE COMPANY

# PSC-RS SERIES



**NEW!!**  
**Larger 2" LCD Display**

## CAPACITIES

30 kg X 0.005 kg	66 lb X 0.01 lb	66 lb X 0.2 oz
60 kg X 0.01 kg	130 lb X 0.02 lb	130 lb X 0.5 oz
120 kg X 0.02 kg	240 lb X 0.05 lb	240 lb X 1 oz

SPECIFICATIONS ARE SUBJECT TO CHANGE WITHOUT NOTICE

**CCI**  
SCALE COMPANY