

# Utility Tray | Accessory

For Original & EasyFlex<sup>®</sup> Floor Lamps

**Model: VL01**



Dear Customer,

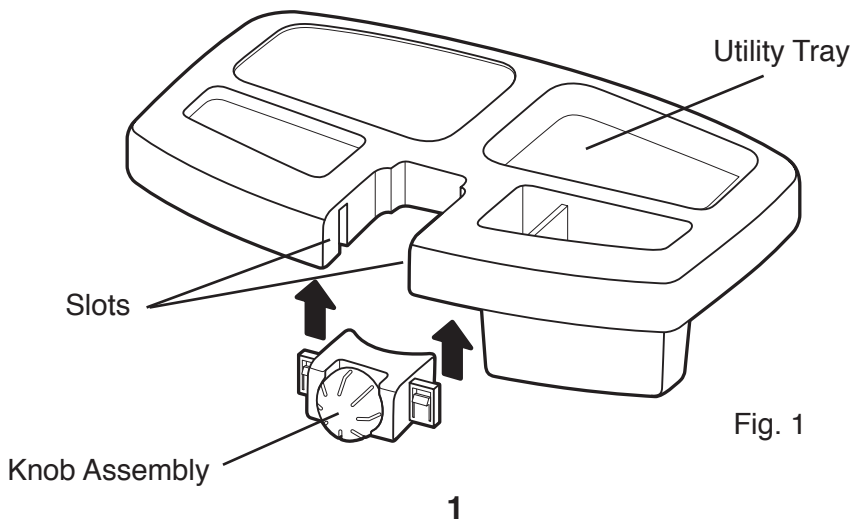
The Verilux® Utility Tray is a quality product designed to make your Original Natural Spectrum® Floor Lamp or EasyFlex® Deluxe Floor Lamp even more useful and enjoyable. As a Verilux® customer, your satisfaction means everything to us. We look forward to serving you now and in the future.

Many other healthy lighting products are available through our catalog and online. Visit us on the web at [www.verilux.com](http://www.verilux.com) to request a free catalog and learn more about all our quality Verilux products, or call us toll-free at 1-800-454-4408. Have a bright day!

*Nicholas Harmon*

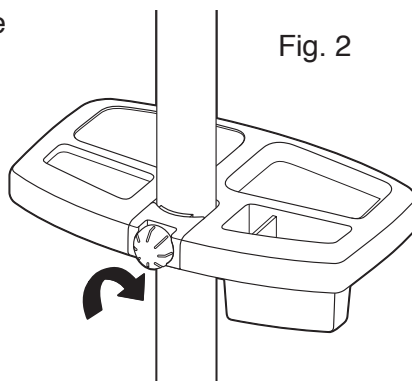
Nicholas Harmon  
President, Verilux, Inc.

## PARTS



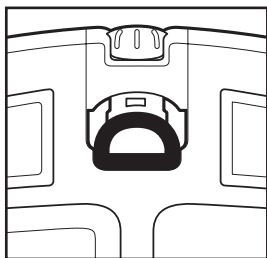
## INSTRUCTIONS FOR ATTACHMENT

1. Place Utility Tray opening around the lamp shaft at the desired height.
2. Insert knob assembly into the slots. (Fig 1)
3. Turn knob clockwise to secure the Utility Tray in place. Do not overtighten. (Fig 2)
4. **Please Note:** When the Utility Tray is installed on the EasyFlex® Floor Lamp, there will be a 1/4" gap in the front. (Fig 4)



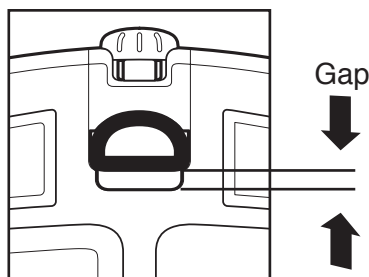
### Installation:

Fig. 3



For Original Natural Spectrum®  
Floor Lamp – VF01

Fig. 4

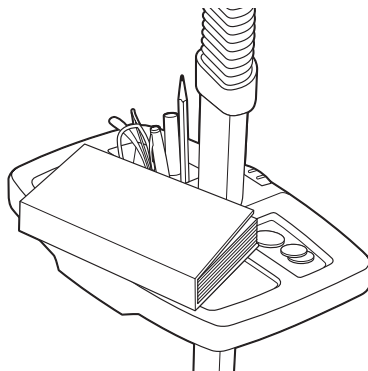


For EasyFlex® Deluxe  
Floor Lamp – VF02

### Suggested use:

Store and organize lightweight items such as reading glasses, pens, remote control, portable phone, paperback book.

**CAUTION:** Your floor lamp may become unstable with more than 3 lbs. of weight on the utility tray. The utility tray is not recommended to hold beverages.



*Due to ongoing improvements, actual product may vary slightly from illustrations.*

## One Year Limited Warranty

**ATTENTION! ONCE OPENED, PLEASE DO NOT RETURN THIS PRODUCT TO THE STORE WHERE IT WAS PURCHASED FOR REPAIR OR REPLACEMENT!**

Many questions may be answered by visiting [www.verilux.com](http://www.verilux.com), or you may call our Customer Service Department at 800-786-6850 during normal business hours.

This limited warranty is provided by: Verilux, Inc., 340 Mad River Park, Waitsfield, VT 05673

Verilux warrants this product to be free from defects in material and workmanship for a period of one year from the date of the original retail purchase from Verilux or an authorized Verilux distributor. **Proof of purchase is required for all warranty claims.** During the limited warranty period, Verilux, Inc. will, at its option, repair or replace defective parts of this product, at no charge to the customer, subject to the following limitations: This limited warranty does not include any postage, freight, handling, insurance or delivery fees. This warranty does not cover damage, defect or failure caused by or resulting from accident, external destruction, alteration, modification, abuse, misuse or misapplication of this product.

This warranty does not cover damage to the product resulting from return shipping or handling. The use of shipping insurance is recommended to help protect your product.

**Return Authorization is required for all returns.** To obtain a Return Authorization, please contact the Verilux Customer Service Department at 800-786-6850.

If, during the first year of ownership, this product fails to operate properly, it should be returned as specified at [www.verilux.com/warrantyreplacement](http://www.verilux.com/warrantyreplacement) or as instructed by a Verilux customer service representative at 800-786-6850.

**Note:** *Verilux recommends using a quality surge suppressor on all electronics equipment. Voltage variations and spikes can damage electronic components in any system. A quality suppressor can eliminate the vast majority of failures attributed to surges and may be purchased at electronics stores.*

Due to ongoing improvements, actual product may have slight variations from the product described in this manual.

Please visit our website at [www.verilux.com](http://www.verilux.com) or call our Customer Service Department at

**1-800-786-6850**

Representatives are available Monday — Friday, 9am — 5pm EST

**verilux®**

340 Mad River Park, Waitsfield, VT 05673