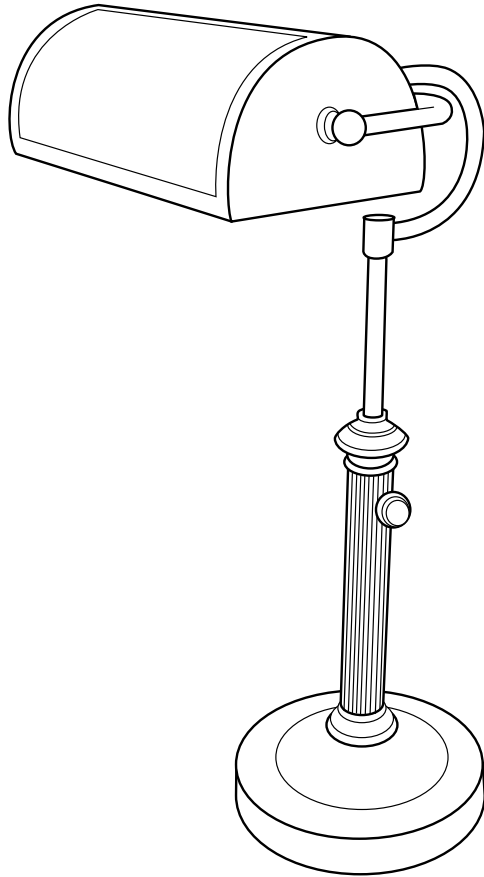


**verilux**<sup>®</sup>  
The Healthy Lighting Company<sup>®</sup> Est. 1956



# Shelburne<sup>™</sup> | Deluxe

Natural Spectrum<sup>®</sup> Desk and Table Lamp

**VD05**



Dear Customer,

Thank you for purchasing the Verilux Shelburne™ Deluxe Natural Spectrum® Desk and Table Lamp. You have received an innovative and quality manufactured product, backed by a one-year limited warranty.

Many other healthy lighting products are available through our catalog and online. To request a free copy of our catalog, call our toll-free number 1-800-454-4408. You may also visit us on the web at [www.verilux.com](http://www.verilux.com) to learn more about all our quality Verilux products.

As a Verilux customer, your satisfaction means everything to us. We look forward to serving you now and in the future.

Have a bright day!

A handwritten signature in black ink that reads "Nicholas Harmon". The signature is written in a cursive, flowing style.

Nicholas Harmon  
President, Verilux, Inc.

## Troubleshooting

Before requesting service on your Verilux® lamp please read the following:

- Make sure all power connectors, cords and plugs are inserted fully and securely.
- Make sure there is power to the wall outlet or try another outlet – not connected to a dimmer.

PROBLEM	CHECK	SOLUTION
Light Won't Come On	Has the plug come loose?	Insert plug securely into wall outlet.
	Is the bulb old?	Check bulb for blackening/darkening at ends (an indicator of bulb life) and replace bulb. See <a href="http://www.verilux.com">www.verilux.com</a> .
	Is the bulb connected securely into socket?	Be sure the bulb is securely seated into socket, repeat the bulb installation process.
Blackening/Darkening at Ends of Bulb	Is the bulb new?	Sometimes when a new bulb is turned on for the first time the tube will darken, but this will fade after a few minutes.
	Is the bulb old?	With older bulbs darkening of the tube indicates end of bulb life (this doesn't affect operation except to reduce the amount of light available since the phosphor in that area has become inactive). Bulb replacement is recommended.
Light Flickers	Has the plug come loose?	Insert plug securely into wall outlet.
	Is the bulb connected securely to the socket?	Be sure the bulb is securely seated into socket, repeat the bulb installation process. <b>CAUTION: DISCONNECT LAMP FROM OUTLET PRIOR TO REPEATING THE BULB INSTALLATION PROCESS.</b>
	Is the lamp connected to a dimmer switch?	Connect lamp plug only to wall outlet without dimmer switch.

## Care & Cleaning

Your Verilux lamp is made from high quality materials that will last for many years with minimum care.

Clean only with a soft dry cloth – **DO NOT USE SOLVENTS OR CLEANERS CONTAINING ABRASIVES OR AMMONIA.**



**WARNING:** To prevent risk of shock or personal injury when cleaning lamp, make sure you have turned off and unplugged the lamp, and allow sufficient time for the bulb to cool.

## **General Precautions**

- Do not use with power supply voltage other than 120V AC.
- Avoid placing the lamp in areas that are dusty, humid/moist, lack ventilation or are subject to constant vibration.
- Not for use with light dimmers, timers, motion detectors, voltage transformers or extension cords.
- Do NOT use lubricating agent in bulb assembly.
- The light bulb may become loose during transit. To reinstall the light bulb, see the bulb installation instructions on page 3 of this manual.
- Close supervision is recommended when this lamp is used by or near children, or others who may not understand the need for these precautions.

If interference occurs with televisions, cordless phones and other devices:

- Reorient or relocate the receiving antenna.
- Increase the separation between the lamp and receiver.
- Connect the lamp into an outlet on a circuit different from that to which the receiver is connected.
- Move the lamp out of the line of sight of the remote control receiver.
- Consult the dealer or an experienced radio/TV technician for help.

## Important Safety Instructions

### CAUTION:

- To reduce the risk of electric shock, do not dismantle. There are no serviceable parts inside.
- To reduce the risk of fire or electric shock, do not expose this unit to rain or moisture.

### WARNING: To reduce the risk of fire, electric shock or personal injury:

- Turn off/unplug and allow to cool before replacing bulb or cleaning.
- Do not operate the lamp in close proximity to flammable or combustible vapors, such as aerosol (spray) products or where oxygen is being administered.
- Use only the type of bulb and maximum wattage indicated by Verilux®.
- Never cover the lamp when it is in operation.
- **Read these instructions** before using this lamp.
- **Keep these instructions** for future reference.
- Do not use this lamp in damp/humid or wet locations.
- For indoor use only.
- Clean only with dry cloth.
- Do not defeat the safety purpose of the polarized plug. A polarized plug has two blades with one wider than the other. If the provided plug does not fit in your outlet, consult an electrician for replacement of the obsolete outlet.
- Protect the power cord from being walked on or pinched particularly at plugs, and the point where it exits from the lamp.
- Unplug this lamp during lightning storms or when unused for long periods of time.
- If the lamp has been damaged in any way, such as the power supply cord or plug is damaged, liquid has been spilled or objects have fallen onto the lamp, the lamp has been exposed to rain or moisture, does not operate normally, or has been dropped, it should not be operated. There are no user serviceable parts within this lamp.

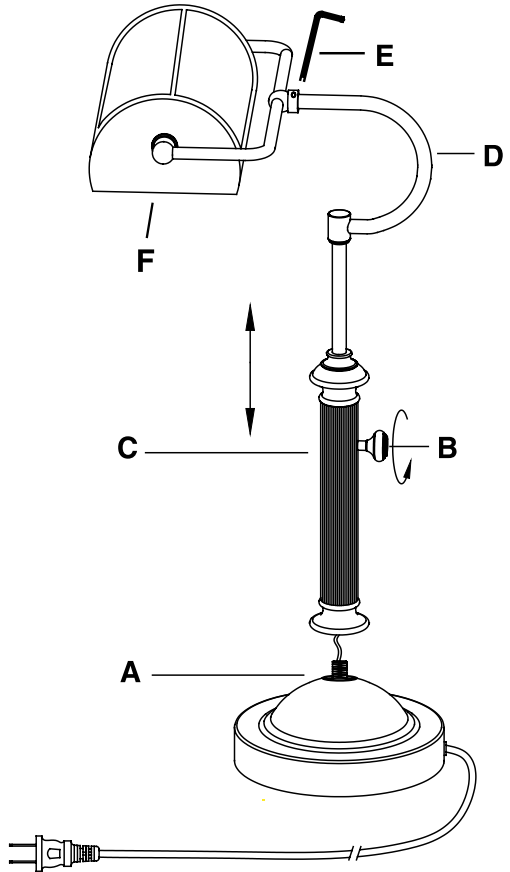
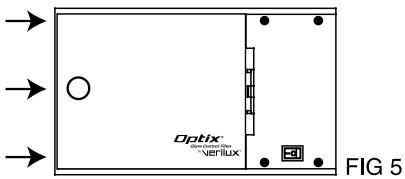
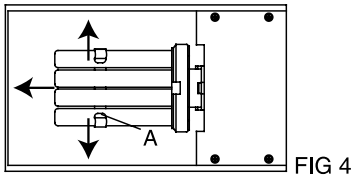
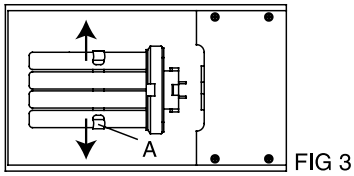
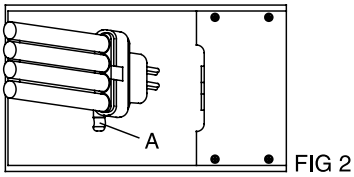
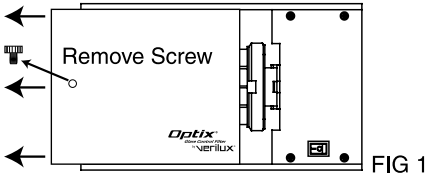
**SAVE THESE INSTRUCTIONS**

## Assembly Instructions

Before assembling, please review all instructions.

1. Carefully lay out all parts on flat surface and refer to diagrams on page 4 of this manual.
2. Screw post (C) into the base (A) and hand tighten.
3. Loosen the thumbscrew (B) to adjust the lamp height. Adjust the lamp (D) to the desired height and tighten the thumbscrew (B).
4. Rotate shade (F) to right angle with body (D) and parallel to the floor. Then, use the supplied Allen wrench (E) to carefully tighten the screw.
5. Remove thumbscrew from Optix® filter on lamp head and carefully slide filter out of channel and place on clean surface (Fig. 1).
6. Remove the 27 Watt Natural Spectrum® bulb from the packaging and carefully insert it into the socket (Fig. 2). Be sure to hold the bulb by the base and ensure it is fully inserted into the socket and clipped into the metal clip. *Note: the telephone number on the bulb provides contact information when reordering.*
7. Slide Optix filter back into place and re-install thumbscrew (Fig. 5). Do not over tighten.
8. Plug lamp into an appropriate outlet and turn on the switch.
9. Do not use with an extension cord or on a circuit with a dimmer switch.
10. Save the packaging in case you need to send the lamp to Verilux® for servicing.

# Assembly Instructions — continued



## One Year Limited Warranty

**ATTENTION! ONCE OPENED, PLEASE DO NOT RETURN THIS PRODUCT TO THE STORE WHERE IT WAS PURCHASED FOR REPAIR OR REPLACEMENT!**

Many questions may be answered by visiting [www.verilux.com](http://www.verilux.com), or you may call our Customer Service Department at 800-786-6850 during normal business hours.

This limited warranty is provided by: Verilux, Inc., 340 Mad River Park, Waitsfield, VT 05673

Verilux warrants this product to be free from defects in material and workmanship for a period of one year from the date of the original retail purchase from Verilux or an authorized Verilux distributor. **Proof of purchase is required for all warranty claims.** During the limited warranty period, Verilux, Inc. will, at its option, repair or replace defective parts of this product, at no charge to the customer, subject to the following limitations: This limited warranty does not include any postage, freight, handling, insurance or delivery fees. This warranty does not cover damage, defect or failure caused by or resulting from accident, external destruction, alteration, modification, abuse, misuse or misapplication of this product.

This warranty does not cover damage to the product resulting from return shipping or handling. The use of shipping insurance is recommended to help protect your product.

**Return Authorization is required for all returns.** To obtain a Return Authorization, please contact the Verilux Customer Service Department at 800-786-6850.

If, during the first year of ownership, this product fails to operate properly, it should be returned as specified at [www.verilux.com/warrantyreplacement](http://www.verilux.com/warrantyreplacement) or as instructed by a Verilux customer service representative at 800-786-6850.

**Note:** *Verilux recommends using a quality surge suppressor on all electronics equipment. Voltage variations and spikes can damage electronic components in any system. A quality suppressor can eliminate the vast majority of failures attributed to surges and may be purchased at electronics stores.*

Due to ongoing improvements, actual product may have slight variations from the product described in this manual.

**Please visit our website at [www.verilux.com](http://www.verilux.com) or call our Customer Service Department at**

**1-800-786-6850**

Representatives are available Monday – Friday, 9am – 5pm EST

**verilux®**

340 Mad River Park, Waitsfield, VT 05673