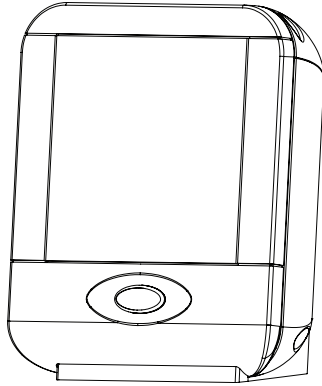


verilux®



To reduce the risk of damage during shipping, the bulb for your new HappyLight Liberty is packaged in protective bubble wrap. **You must remove the top cover, install the bulb and lens, and reinstall the top cover prior to using your lamp. See the Bulb/Lens Installation/Replacement section.**

L'ampoule de votre nouvelle lampe HappyLight Liberty a été emballée dans un film à bulles d'air afin de réduire le risque de bris pendant le transport. **Vous devez retirer le couvercle supérieur, installer l'ampoule et la lentille puis réinstaller le couvercle supérieur avant d'allumer votre lampe. Consultez la section Installation/remplacement Ampoule/lentille.**

HappyLight® Compact

Energy Lamp

Model: VT10

Edit#: 002	Title: VT10 Bilingual Manual
Date: 01/11/19	Version: Rev22

READ ALL INSTRUCTIONS BEFORE USING

Important Safeguards

⚠ DANGER:

- To avoid electrocution, do not operate this device near water.

⚠ WARNING:

- Do not use with power supply voltage other than 120 VAC.
- Do not defeat the safety purpose of the polarized plug. A polarized plug has two blades with one wider than the other. The wider blade is provided for your safety. If the provided plug does not fit in your outlet, consult an electrician for replacement of the obsolete outlet.
- Close supervision is recommended when these lamps are used by or near children, or others who may not understand the need for these precautions.
- To prevent risk of shock or personal injury when cleaning lamp, make sure you have turned off and unplugged the lamp and allowed sufficient time for the bulb to cool.
- Do not block vents. Vents are necessary for proper function of the lamp. Blocking them may cause the lamp to overheat.
- Do not shorten or cut the power cord.
- Always unplug lamp before performing bulb replacement or installation and allow sufficient time for the bulb to cool.
- Light bulbs get hot quickly! Do not touch the bulb while the lamp is on.
- This bulb contains a trace amount of mercury. For safe handling, cleanup, disposal and recycling in accordance with applicable laws in US see www.epa.gov/cfl and in Canada, please visit www.ec.gc.ca/mercure-mercury/ and www.lightrecycle.ca
- This product contains mercury, a chemical known to the State of California to cause birth defects or other reproductive harm.
- This product contains magnets. If you have a pacemaker, implantable defibrillator, insulin pump, any other type of electro-mechanical device, or brain shunts that contain magnets, keep sufficient distance (about six inches) between the device and the lamp.
- Some people may experience light sensitivity to fluorescent lighting. Discontinue use if you experience any discomfort. Follow directions for pretest on page four prior to use.
- Certain medications (e.g., anti-depressants) may induce light sensitivity which may result in discomfort or a level of hyperactivity. Consult with your health care provider before using this product.
- If you have a pre-existing eye condition, consult with your health care provider before using this product.

Important Safeguards — continued

▲ CAUTION:

- This lamp is for indoor use only.
- Avoid placing this lamp in areas that are exposed to direct sunlight or close to heat-radiating products such as heaters. Do not place the lamp on the top of appliances that radiate heat.
- Protect the power cord from being walked on or pinched, particularly at plugs, convenience receptacles and the point where the power cord exits the lamp.
- Do not operate this lamp if it has been damaged in any way. For example, the power supply cord or plug has been damaged, liquid has been spilled on or objects have fallen onto the lamp, the lamp has been exposed to rain or moisture, the lamp does not operate normally or has been dropped.
- This lamp may cause interference with radios, cordless telephones or devices that use a wireless remote control, such as televisions. If interference occurs, move the lamp away from the device, plug the lamp or the device into a different outlet or move the lamp out of the line of sight of the remote control receiver.
- Top of lamp is secured with strong magnets. Avoid lifting or carrying lamp by the top.
- Avoid placing the lamp in areas that are dusty, humid/moist, lack ventilation or are subject to constant vibration.
- Do not dismantle other than to replace the bulb. There are no user serviceable parts in these lamps.
- This lamp is not for use with light dimmers, timers, motion detectors, voltage transformers or extension cords.
- Do not leave the lamp unattended during use.
- Do NOT use lubricating agent in assembly. Please see troubleshooting section if you are having difficulty assembling your lamp.
- Use only the type of bulb and maximum wattage indicated by Verilux.
- Never cover the lamp or place anything on top of it when it is in operation.
- Do not use solvents or cleaners containing abrasives, or ammonia-based cleaners on this product.
- After cleaning the lamp, all moisture should be properly wiped away and dried before restoring power.

SAVE THESE INSTRUCTIONS

† This device complies with Part 18 of the FCC Rules.

This Class B digital apparatus complies with Canadian ICES-005.

3

Edit#: 002	Title: VT10 Bilingual Manual
Date: 01/11/19	Version: Rev22

Features

Your new Verilux HappyLight Energy Lamp is a remarkable product with many features and benefits. It:

- delivers Natural Spectrum light to your home, office, dorm room or apartment.
- cues your body's own energy enhancers to help you regain focus and concentration.
- has up to 10,000 LUX* of bright Natural Spectrum light to lift spirits, sharpen concentration and improve energy levels.
- is designed with a compact shape and small footprint to make it easy to place in a convenient location.
- includes an energy-efficient, 26-watt bulb that lasts up to 10,000 hours and provides flicker-free illumination.

* 10,000 lux at 10cm/4" from lamp. 5,000 lux at 15cm/6" to 20cm/8" from lamp.

Device Pretest

To help determine if you have sensitivity to light treatment, we recommend that you perform this pretest upon first use of this device:

Step 1 - Turn on the lamp and position it about 45cm/18 inches from your face. (Do not look directly into the lamp.)

Step 2 - Operate the lamp for approximately 10 minutes and turn it off. If the light has caused any discomfort, stop using it and consult a doctor. If you have no discomfort, you may consider gradually decreasing the distance from the lamp and increasing the use time, which results in more lamp intensity and greater effect. For your initial sessions, you should monitor the degree of any discomfort and accordingly adjust the time used and lamp location.

▲WARNING: Some people may experience light sensitivity to fluorescent lighting. Discontinue use if you experience any discomfort. Prior to using, follow the "Device Pretest" directions, shown above.

▲WARNING: Certain medications (e.g., anti-depressants) may induce light sensitivity which may result in discomfort or a level of hyperactivity. Consult with your health care provider before using this product.

▲WARNING: If you have a pre-existing eye condition, contact your health care provider prior to use.

Minimum Recommended Program



30 minutes
to
1 hour*/day

Researchers at the National Institute of Health demonstrated that white light, in a range of 2,500 to 10,000 LUX (a measurement of light intensity), helped to reverse the symptoms of “Winter Blues.”

Exposure strategies affect people differently. We all have different reactions to our environment. It is important to establish a distance and schedule that is comfortable for you. We recommend you use the light regularly and at about the same time each day. It is not necessary to sit in front of the lamp continuously. You can divide the time into several mini-sessions. Continue to use the HappyLight daily to feel an improvement in your mood and activity level.

When you are feeling sluggish and lethargic, spend more time with the light, sit closer to it or increase the light intensity. If you feel a sort of edginess, as though you have consumed too much coffee, it may be time to turn off the unit or reduce the intensity of the light.

* Recommended exposure time is a function of output and distance. Individual results may vary. Also, refer to the warnings at the bottom of the Device Pretest section of this manual.

▲WARNING: Certain medications (e.g., anti-depressants) and diagnosed mental health conditions may induce light sensitivity, which may result in discomfort, hyperactivity, or hypomania. Consult with your healthcare provider before using this product.

▲WARNING: If you have a pre-existing eye condition, or are at risk for developing Age Related Macular Degeneration or other eye conditions consult with your healthcare provider before using this product.

Edit#: 002	Title: VT10 Bilingual Manual
Date: 01/11/19	Version: Rev22

Operation

Use consists of sitting close to the HappyLight with your eyes open. While staying oriented toward the light, feel free to engage in other activities such as reading, writing, hobbies and crafts, sewing, needlepoint, applying make-up or working at your computer or desk.

The HappyLight should be positioned as close as 4 inches, but within 24 inches of your face and should be slightly off-center. (See diagram.) *Note: Do not look directly into the lamp.*

The light from the HappyLight must be directed at your eyes; therefore, your eyes must be open to achieve the full benefit. *Note: Tinted glasses reduce the amount of light reaching your eyes.*

When you are feeling sluggish and lethargic, spend more time with the light, sit closer to it or adjust the settings to increase the intensity. If you experience edginess or are over-stimulated, move the light farther away or reduce session times.



▲WARNING: Do not block vents. Vents are necessary for proper function of the lamp. Blocking them may cause the lamp to overheat.

▲CAUTION: Avoid placing this lamp in areas that are exposed to direct sunlight or close to heat-radiating products such as heaters. Do not place the lamp on top of appliances that radiate heat.

Bulb/Lens Installation/Replacement

Your HappyLight uses a bulb manufactured only by Verilux. To order a replacement, please call Verilux toll-free, at 1-800-454-4408.

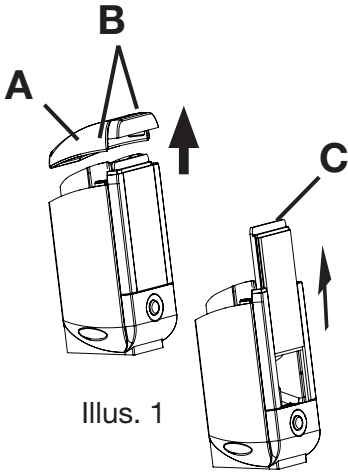
Initial Bulb Installation	Bulb Replacement	Lens Replacement	Instruction Steps
1.	1.	1.	Be certain the lamp is unplugged prior to beginning.
2.	2.	2.	Remove the top cover (A) by lifting firmly. The top is secured by two (strong) magnets (B) that will release when lifted properly.
X	3.	3.	Slide the lens (C) out of its channel by pulling it gently upward.
3.	X	X	Carefully remove the bulb from the bubble wrap.
X	4.	X	Remove the old bulb by twisting it counterclockwise until the bulb pins align with the openings in the bulb mount and lifting upward. (See illustration 2.)
4.	5.	X	Insert the new bulb into the bulb mount and rotate it clockwise until it clicks in place. (Either pin in either opening is fine. See illustration 3.)
5.	X	X	Remove the lens from the plastic bag that also held this instruction manual.
6.	6.	4.	(Re)install the lens and top cover, reversing the procedure shown in "Lens Replacement" steps two and three above.
7.	7.	5.	Dispose of any old parts and packaging according to local regulations.

▲WARNING: Always unplug lamp before performing bulb replacement or installation and allow sufficient time for the bulb to cool.

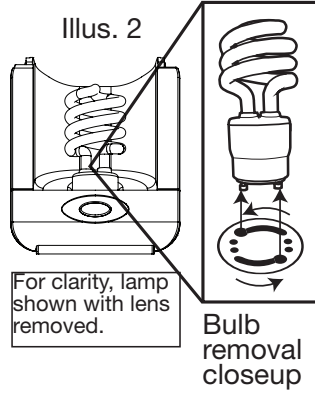
▲WARNING: This bulb contains a trace amount of mercury. For safe handling, cleanup, disposal and recycling in accordance with applicable laws in US see www.epa.gov/cfl and in Canada, please visit www.ec.gc.ca/mercure-mercury/ and www.lightrecycle.ca

Edit#: 002	Title: VT10 Bilingual Manual
Date: 01/11/19	Version: Rev22

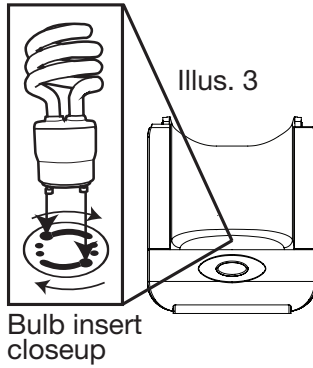
Bulb/Lens Installation/Replacement — continued



Illus. 1



Bulb removal closeup



Illus. 3

Care and Cleaning

Your lamp is made from high-quality materials that will last for many years with minimum care. You may want to periodically clean the lamp using a mild non-abrasive cleaner and soft cloth. When cleaning, make sure you have turned off and unplugged the unit and allowed sufficient time for the unit to cool.

Troubleshooting

Before requesting service on your Verilux lamp, please:

- Make sure all power connectors, cords and plugs are inserted fully and securely.
- Be sure the bulb is securely seated in the socket. (See Bulb/Lens Installation/Replacement section.)
- Make sure there is power to the wall outlet, or try another outlet – one that is not connected to a dimmer.

PROBLEM	CHECK	SOLUTION
Light Won't Come On	Has the plug come loose?	Insert plug securely into wall outlet.
	Is the bulb old?	Check bulb for blackening/darkening at bottom of spiral where it joins the base (an indicator of bulb life) and replace bulb.
	Is the bulb connected securely into socket?	Be sure the bulb is securely seated in the socket. Repeat the bulb installation process. [WARNING] Always unplug lamp before performing bulb replacement or installation.
Blackening/Darkening at Ends of Bulb	Is the bulb new?	Sometimes when a new bulb is turned on for the first time the tubing will darken, but this will fade after a few minutes.
	Is the bulb old?	With older bulbs, darkening of the tubing indicates end of bulb life. (This doesn't affect operation except to reduce the amount of light available, since the phosphor in that area has become inactive.) Bulb replacement is recommended.
Light Flickers	Has the plug come loose?	Insert plug securely into wall outlet.
	Is the bulb connected securely to the socket?	Be sure the bulb is securely seated into the socket. Repeat the bulb installation process. [WARNING] Always unplug lamp before performing bulb replacement or installation.
	Is the lamp connected to a dimmer switch?	Connect lamp plug only to wall outlet without dimmer switch.

Technical Specifications

HappyLight Compact Energy Lamp

Environment: Operating Temperature: 10 to 30°C (50 to 86°F)

Storage Temperature: -20 to 50°C (-4 to 122°F)

Relative Humidity: 20 to 90% non-condensing

Bulb: Replacement bulb: 26-watt 10,000-hour bulb. Replace with Verilux brand only, Model number CFS26GU24VLX by calling 1-800-454-4408 or visiting verilux.com.

Power: Input Power: 120 VAC, 60Hz, 0.50 A

ETL Listed in Canada and the USA

Edit#: 002	Title: VT10 Bilingual Manual
Date: 01/11/19	Version: Rev22

One-Year Limited Warranty

ATTENTION! ONCE OPENED, PLEASE DO NOT RETURN THIS PRODUCT TO THE STORE WHERE IT WAS PURCHASED FOR REPAIR OR REPLACEMENT!

Many questions can be answered by visiting www.verilux.com, or you may call our Customer Service Department at 1-800-786-6850 during normal business hours.

This limited warranty is provided by Verilux, Inc., 340 Mad River Park, Waitsfield, VT 05673

Verilux warrants this product to be free from defects in material and workmanship for a period of one year from the date of the original retail purchase from Verilux or an authorized Verilux distributor. **Proof of purchase is required for all warranty claims.** During the limited warranty period, Verilux, Inc., will, at its option, repair or replace defective parts of this product at no charge to the customer, subject to these limitations: This limited warranty does not include any postage, freight, handling, insurance or delivery fees. This warranty does not cover damage, defect or failure caused by or resulting from accident, external destruction, alteration, modification, abuse, misuse or misapplication of this product.

This warranty does not cover damage to the product resulting from return shipping or handling. Shipping insurance is recommended to help protect your product.

Return Authorization is required for all returns. To obtain a Return Authorization, please contact the Verilux Customer Service Department at 1-800-786-6850.

If, during the first three years of ownership, this product fails to operate properly, it should be returned as specified at www.verilux.com/warrantyreplacement or as instructed by a Verilux customer service representative at 1-800-786-6850.

Note: *Verilux recommends using a quality surge suppressor on all electronic equipment. Voltage variations and spikes can damage electronic components in any system. A quality suppressor can eliminate the vast majority of failures attributed to surges. Suppressors may be purchased at electronics stores.*

Due to ongoing improvements, actual product may have slight variations from the product described in this manual.

Please visit our website at: www.verilux.com or call our Customer Service Department at 1-800-786-6850

Representatives are available Monday — Friday, 9am — 5pm EST

verilux[®]

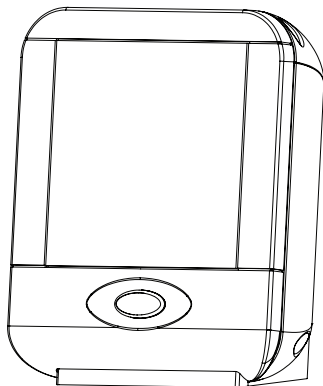
340 Mad River Park, Waitsfield, VT 05673

Register warranty online at:
verilux.com/warranty

Printed in China for: Verilux, Inc.

© Copyright 2019 Verilux, Inc. All rights reserved.

verilux®



L'ampoule de votre nouvelle lampe HappyLight Liberty a été emballée dans un film à bulles d'air afin de réduire le risque de bris pendant le transport. **Vous devez retirer le couvercle supérieur, installer l'ampoule et la lentille puis réinstaller le couvercle supérieur avant d'allumer votre lampe. Consultez la section Installation/remplacement Ampoule/lentille.**

HappyLight® Compact

Lampe énergétique

Modèle : VT10

Edit#: 002	Title: VT10 Bilingual Manual
Date: 01/11/19	Version: Rev22

LISEZ TOUTES LES INSTRUCTIONS AVANT UTILISATION

Mesures de protection importantes

▲ DANGER:

- N'utilisez pas cet appareil à proximité de l'eau pour éviter tout risque d'électrocution.

▲ AVERTISSEMENT :

- N'utilisez cette lampe qu'avec une tension de 120 V c.a.
- Ne forcez pas la fonction de sécurité de la fiche polarisée. Une prise polarisée a deux lames dont une est plus large que l'autre. La lame plus large est fournie pour votre sécurité. Si la prise fournie ne convient pas à votre prise, demandez à un électricien de remplacer la prise obsolète.
- Une surveillance étroite est recommandée lorsque cette lampe est utilisée par ou près des enfants, ou par d'autres individus qui peuvent ne pas comprendre la nécessité de ces précautions.
- Pour empêcher les risques de choc ou de blessure quand vous nettoyez la lampe, assurez-vous d'avoir éteint et débranché la lampe, et d'avoir laissé l'ampoule suffisamment refroidir.
- Ne bloquez pas les bouches d'aération. Elles sont nécessaires au bon fonctionnement du ballast électronique ; si vous les bloquez, le système électronique risque de surchauffer et de provoquer un incendie.
- Ne raccourcissez ni ne coupez le cordon d'alimentation.
- Débranchez toujours la lampe avant d'installer ou de remplacer une ampoule et attendez suffisamment de temps pour qu'elle refroidisse.
- Les ampoules chauffent rapidement ! Ne touchez pas l'ampoule quand la lampe est allumée.
- L'ampoule contient des traces de mercure. Pour une manipulation, un nettoyage, une mise au rebut et un recyclage en toute sécurité et en conformité avec les lois en vigueur au É.-U. voir www.epa.gov/cfl et au Canada, veuillez consulter le site www.ec.gc.ca/mercure-mercury/ et www.lightrecycle.ca.
- Ce produit contient mercure, un produit chimique reconnu par l'État de Californie comme pouvant causer des anomalies congénitales ou d'autres déficiences aux fonctions reproductrices.
- Ce produit contient des aimants. Si vous avez un stimulateur cardiaque, un défibrillateur implantable, une pompe à insuline, tout autre type de dispositif électromécanique ou des shunts cérébraux contenant des aimants, maintenez une distance suffisante (environ six pouces) entre l'appareil et la lampe.
- Certaines personnes peuvent être légèrement sensibles à l'éclairage fluorescent. Cessez d'utiliser l'appareil si vous éprouvez des malaises. Suivez les instructions pour le test à la page 4 avant l'utilisation.
- Certains médicaments peuvent créer une sensibilité à la lumière (par ex., les antidépresseurs) et provoquer un malaise ou un niveau d'hyperactivité. Consultez votre fournisseur de soins de santé.
- Si vous avez un problème oculaire, consultez votre fournisseur de soins de santé avant d'utiliser la lampe.

Mesures de protection importantes (suite)

▲ MISE EN GARDE :

- La lampe ne doit être utilisée qu'à l'intérieur.
- Évitez de placer la lampe directement à la lumière du soleil ou à proximité d'une source de chaleur, comme les radiateurs. Ne la placez pas sur des appareils qui dégagent de la chaleur.
- Protégez le cordon d'alimentation contre les piétinements ou les pincements, en particulier à la prise, aux réceptacles pratiques et la section où le cordon d'alimentation sort de la lampe.
- Si la lampe a été endommagée de façon quelconque, par exemple, le cordon ou la prise d'alimentation a été endommagé, du liquide a été renversé ou des objets sont tombés dessus, la lampe a été exposée à la pluie ou à l'humidité, la lampe ne fonctionne pas normalement ou elle est tombée.
- La lampe peut provoquer des interférences avec les radios, les téléphones ou les appareils sans fil qui utilisent une télécommande sans fil, comme les téléviseurs. En cas d'interférence, déplacez la lampe loin de l'appareil, branchez-la ou l'appareil sur une autre prise ou déplacez la lampe hors de la visibilité directe du récepteur de la télécommande.
- Le dessus de la lampe est fixé à l'aide d'aimants puissants. Éviter de soulever ou de transporter la lampe en la tenant par le dessus.
- Évitez de placer la lampe dans des endroits poussiéreux, humides, manquant de ventilation ou sujets à une vibration constante.
- Ne démontez pas la lampe à moins de remplacer l'ampoule. Il n'y a pas de pièces utilisables pour l'utilisateur.
- La lampe ne doit pas être utilisée avec des gradateurs d'éclairage, des minuteries, des détecteurs de mouvement, des transformateurs de tension ou des rallonges électriques.
- Ne laissez pas la lampe sans surveillance quand elle n'est pas utilisée.
- N'UTILISEZ PAS d'agent lubrifiant dans l'assemblage. Veuillez consulter la section sur le dépannage si vous avez des difficultés à assembler votre lampe.
- Utilisez uniquement le type d'ampoule et la puissance maximale indiqués par Verilux®.
- Ne couvrez jamais la lampe et ne placez rien dessus lorsqu'elle est utilisée.
- N'utilisez pas de solvants ou de nettoyeurs contenant des produits abrasifs ou à base d'ammoniac.
- Après avoir nettoyé la lampe, enlevez toute trace d'humidité et essuyez-la soigneusement avant de la rebrancher.

CONSERVEZ CES INSTRUCTIONS

† Cet appareil est conforme à la partie 18 des Règles de la FCC.

Cet appareil numérique de catégorie B est conforme à la norme canadienne ICES-005.

3

Edit#: 002	Title: VT10 Bilingual Manual
Date: 01/11/19	Version: Rev22

Fonctionnalités

Votre nouvelle lampe énergisante HappyLight de Verilux est un produit remarquable comportant plusieurs caractéristiques et avantages. Cette lampe :

- offre un éclairage à spectre naturel Natural Spectrum pour la maison, le bureau, la chambre ou l'appartement.
- stimule les stimulateurs d'énergie de votre corps pour vous aider à améliorer votre concentration.
- émet un éclairage à large spectre naturel jusqu'à 10 000 lux pour améliorer votre humeur et votre concentration en plus d'augmenter votre niveau d'énergie.
- est d'une forme compacte avec de petites empreintes de plot pour pouvoir l'installer dans un endroit pratique.
- comprend une ampoule écoénergétique de 26 W qui dure jusqu'à 10 000 heures et qui produit une lumière sans papillotement.

* 10 000 lux à une distance de 10 cm/4 po de la lampe. 5 000 lux à une distance de 15 cm/6 po à 20 cm/8 po de la lampe.

Mise à l'essai de l'appareil

Afin de déterminer si vous présentez de la sensibilité au traitement à la lumière, nous vous conseillons d'exécuter le test préliminaire suivant au moment d'utiliser l'appareil pour la première fois :

Étape 1 : Allumez la lampe et placez-la à environ 45cm/18 pouces de votre visage. (Évitez de la regarder directement.)

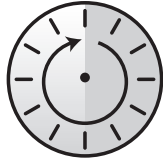
Étape 2 : Faites-la fonctionner pendant une dizaine de minutes avant de l'éteindre. Si vous ressentez un léger inconfort causé par la lumière, cessez de l'utiliser et consultez un médecin. Si vous ne ressentez aucun inconfort, vous pouvez diminuer progressivement la distance entre votre visage et la lampe et augmenter la durée d'utilisation, d'où une augmentation de l'intensité de la lumière et un effet plus marqué. Pendant les premières séances, vous devez prêter particulièrement attention à l'inconfort que vous pouvez ressentir et adapter en conséquence la durée d'utilisation de la lampe et son emplacement.

▲ AVERTISSEMENT : Certains médicaments (p. ex., antidépresseurs) et certaines maladies mentales diagnostiquées peuvent induire une certaine photosensibilité, qui peut créer de l'inconfort, de l'hyperactivité ou de l'hypomanie. Consultez votre professionnel de santé avant d'utiliser ce produit.

▲ AVERTISSEMENT : Si vous avez une maladie des yeux ou si vous risquez d'être atteint de dégénérescence maculaire ou d'une autre maladie des yeux, consultez votre professionnel de santé avant d'utiliser ce produit.

▲ AVERTISSEMENT : Les gens qui souffrent de problèmes mentaux doivent communiquer avec leur médecin avant d'utiliser ce produit. La surexposition à la luminothérapie peut entraîner une hypomanie.

Programme minimum recommandé



30 minutes
to
1 hour*/day

Les chercheurs du National Institute of Health (Institut National de la Santé) ont démontré que la lumière variant de 2 500 à 10 000 lux (mesure de l'intensité de la lumière) contribue à inverser les symptômes du trouble affectif saisonnier et de la déprime saisonnière.

Les stratégies d'exposition ont un impact différent d'une personne à l'autre. Nous réagissons tous différemment vis-à-vis de notre environnement. Il est important d'établir une distance et un horaire qui vous conviennent. Nous vous recommandons d'utiliser la lampe fréquemment et au même moment chaque jour. Vous n'avez pas besoin de vous asseoir devant la lampe de façon continue. Vous pouvez diviser le temps en plusieurs mini-séances. Continuez à utiliser la lampe HappyLight quotidiennement afin de ressentir une amélioration au niveau de votre humeur et de votre niveau d'activité.

Quand vous vous sentez morose et léthargique, passez plus de temps sous la lampe, asseyez-vous plus près ou augmentez-en l'intensité. Si vous vous sentez un peu surexcité, comme si vous aviez bu trop de café, il se peut que le moment soit venu d'éteindre l'appareil ou de réduire l'intensité de la lumière.

* Il est conseillé de s'exposer à la lumière en tenant compte de la puissance et de la distance. Les résultats obtenus peuvent varier d'une personne à l'autre. N'oubliez pas de consulter les mises en garde dans le bas de la section portant sur la mise à l'essai de l'appareil dans le présent manuel.

▲ AVERTISSEMENT : Certains médicaments (p. ex., antidépresseurs) et certaines maladies mentales diagnostiquées peuvent induire une certaine photosensibilité, qui peut créer de l'inconfort, de l'hyperactivité ou de l'hypomanie. Consultez votre professionnel de santé avant d'utiliser ce produit.

▲ AVERTISSEMENT : Si vous avez une maladie des yeux ou si vous risquez d'être atteint de dégénérescence maculaire ou d'une autre maladie des yeux, consultez votre professionnel de santé avant d'utiliser ce produit.

Edit#: 002	Title: VT10 Bilingual Manual
Date: 01/11/19	Version: Rev22

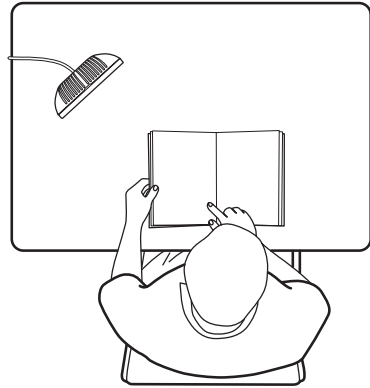
Fonctionnement

Asseyez-vous à proximité de la lampe HappyLight, les yeux ouverts. Tout en demeurant orienté vers la lumière, n'hésitez pas à entreprendre d'autres activités comme la lecture, l'écriture, vos passe-temps et l'artisanat, la couture, la broderie, vous maquiller ou travailler sur l'ordinateur ou à votre bureau.

La lampe doit être positionnée entre 6 pouces et 24 pouces de votre visage et doit être légèrement décentrée. (Voir l'illustration.) *Remarque : Ne fixez pas directement la lampe.*

La lumière émanant de la lampe HappyLight doit être dirigée vers vos yeux. Vos yeux doivent donc être ouverts pour que vous puissiez profiter pleinement des avantages qu'offre cette lampe. *Remarque : Les lunettes de soleil atténuent la quantité de lumière qui atteint vos yeux.*

Quand vous vous sentez morose et léthargique, passez plus de temps sous la lampe, asseyez-vous plus près ou réglez l'ajustement afin d'en augmenter l'intensité. Si vous sentez que vous êtes énervé ou surexcité, comme si vous aviez bu trop de café, déplacez la lampe plus loin ou réduisez la durée de votre séance.



▲ AVERTISSEMENT : Ne bloquez pas les bouches d'aération. Elles sont nécessaires au bon fonctionnement du ballast électronique ; si vous les bloquez, le système électronique risque de surchauffer et de provoquer un incendie.

▲ MISE EN GARDE : Évitez de placer la lampe dans un endroit exposé directement aux rayons du soleil ou à proximité d'une source de chaleur tel qu'un radiateur. Ne placez pas la lampe au-dessus d'un appareil dégageant de la chaleur.

Installation/remplacement Ampoule/lentille

Votre lampe HappyLight ne fonctionnera qu'avec l'ampoule fabriquée par Verilux. Veuillez appeler Verilux au numéro sans frais 1-800-454-4408 pour commander une ampoule de rechange.

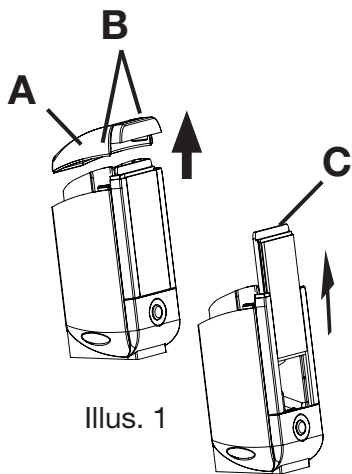
Première installation d'ampoule	Remplacement d'ampoule	Remplacement de lentille	Étapes à suivre
1.	1.	1.	Assurez-vous que la lampe est débranchée avant de commencer.
2.	2.	2.	Retirez le couvercle supérieur (A) en le soulevant fermement. Le sommet est sécurisé par deux (forts) aimants (B) qui se relâcheront lorsqu'ils seront soulevés correctement.
X	3.	3.	Glissez la lentille (C) hors de sa rainure en la tirant doucement vers le haut.
3.	X	X	Retirez soigneusement l'ampoule du film à bulles d'air.
X	4.	X	Retirez l'ampoule usagée en la tournant vers la droite jusqu'à ce que les douilles de l'ampoule s'alignent avec les ouvertures d'assemblage de l'ampoule puis soulevez-la. (Voir l'illustration 2.)
4.	5.	X	Insérez l'ampoule neuve dans l'assemblage de l'ampoule et tournez-la vers la droite jusqu'à ce qu'elle s'enclenche. (Les tiges peuvent s'insérer dans l'une ou l'autre des fentes. Voir l'illustration 3.)
5.	X	X	Retirez le sac en plastique de la lentille mentionnée dans l'instruction de ce manuel.
6.	6.	4.	Réinstallez la lentille et le couvercle supérieur en inversant la procédure de « Remplacement de lentille » illustrée aux étapes 2 et 3 ci-dessus
7.	7.	5.	Jetez toutes les pièces usagées et l'emballage en respectant les règlements locaux.

⚠ AVERTISSEMENT : Débranchez toujours la lampe avant de changer ou d'installer une ampoule et laissez refroidir suffisamment l'ampoule.

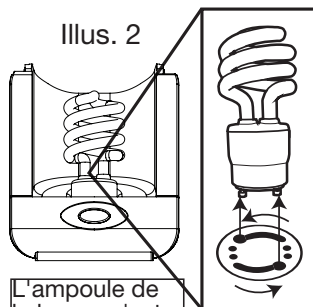
⚠ AVERTISSEMENT : L'ampoule contient des traces de mercure. Pour une manipulation, un nettoyage, une mise au rebut et un recyclage en toute sécurité et en conformité avec les lois en vigueur au É.-U. voir www.epa.gov/cfl et au Canada, veuillez consulter le site www.ec.gc.ca/mercure-mercure/ et www.lightrecycle.ca.

Edit#: 002	Title: VT10 Bilingual Manual
Date: 01/11/19	Version: Rev22

Installation/remplacement Ampoule/lentille (suite)

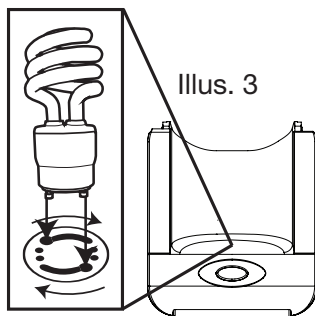


Illus. 1



L'ampoule de la lampe n'est pas installée sur l'illustration afin de mieux distinguer.

Vue rapprochée du retrait d'ampoule



Vue rapprochée de l'installation de l'ampoule

Entretien et nettoyage

Votre lampe est fabriquée avec des matériaux de grande qualité qui dureront de nombreuses années avec un minimum d'entretien. Vous pouvez nettoyer périodiquement la lampe à l'aide d'un nettoyant doux non abrasif et d'un chiffon doux. Lorsque vous nettoyez, assurez-vous d'avoir éteint et débranché l'unité et d'avoir laissé l'ampoule suffisamment refroidir.

Dépannage

Avant de faire une demande de réparation pour votre lampe Verilux, veuillez lire ce qui suit :

- Vérifiez que tous les connecteurs, cordons et prises d'alimentation sont entièrement insérés.
- Vérifiez que l'ampoule repose bien dans la douille. (Consultez la section Installation/remplacement Ampoule/lentille.)
- Vérifiez qu'il y a du courant à la prise murale ou essayez une autre prise - une qui n'est pas connectée à un gradateur.

PROBLÈME	VÉRIFICATION	SOLUTION
La lampe ne s'allume pas	La fiche est-elle mal insérée ?	Insérez bien la prise dans la prise murale.
	IL'ampoule est-elle ancienne ?	Vérifiez si l'ampoule est noircie au bas de la spirale, là où l'ampoule rejoint la base (indicateur de durée de vie de l'ampoule) et remplacez l'ampoule.
	L'ampoule est-elle insérée correctement dans la douille ?	Vérifiez que l'ampoule repose bien dans la douille. Répétez le processus d'installation de l'ampoule. ⚠MISE EN GARDE⚠ Débranchez toujours la lampe de la prise de courant avant d'installer ou de remplacer une ampoule.
Noircissement aux extrémités de l'ampoule	L'ampoule est-elle neuve ?	Parfois, quand une ampoule neuve est allumée pour la première fois, le tube s'assombrit, mais cela disparaît au bout de quelques minutes.
	L'ampoule est-elle usagée ?	Avec les anciennes ampoules, le noircissement du tube indique la fin de la durée de vie de l'ampoule. (ceci n'affecte pas le fonctionnement, sauf que la quantité de lumière disponible est réduite puisque le phosphore dans cette zone est devenu inactif). Le remplacement de l'ampoule est recommandé.
Clignotement de l'ampoule	La prise est-elle mal insérée ?	Insérez bien la prise dans la prise murale..
	L'ampoule est-elle insérée correctement dans la douille ?	Vérifiez que l'ampoule repose bien dans la douille. Répétez le processus d'installation de l'ampoule. ⚠MISE EN GARDE⚠ Débranchez toujours la lampe de la prise de courant avant d'installer ou de remplacer une ampoule.
	La lampe est-elle connectée à un gradateur?	Branchez la lampe sur seulement une prise murale sans gradateur.

Spécifications techniques

Lampe d'énergie HappyLight Liberty Natural Spectrum

Environnement : Température de fonctionnement : entre 10 °C et 30 °C (entre 50 °F et 86 °F)

Température de stockage : entre -20 et 50 °C (entre -4 °F et 122 °F)

Humidité relative : entre 20 % et 90 % sans condensation

Ampoule : Ampoule de remplacement : ampoule de 10 000 heures et 26 watts. Remplacez uniquement par une ampoule de marque Verilux, numéro de modèle CFS26GU24VLX, en téléphonant au 1-800-454-4408 ou en visitant verilux.com

Alimentation : Puissance d'entrée : 120 V c.a., 60 Hz 0,50A

Homologuée ETL au Canada et aux États-Unis

Edit#: 002	Title: VT10 Bilingual Manual
Date: 01/11/19	Version: Rev22

Garantie limitée d'un an

ATTENTION! VEUILLEZ NE PAS RETOURNER LE PRODUIT AU MAGASIN OÙ IL A ÉTÉ ACHETÉ POUR RÉPARATION OU REMPLACEMENT APRÈS OUVERTURE!

Vous trouverez des réponses aux nombreuses questions que vous vous posez sur www.verilux.com. Vous pouvez aussi téléphoner à notre service à la clientèle au 1-800-786-6850 pendant les heures normales de bureau.

La garantie limitée est assurée par Verilux, Inc., 340 Mad River Park, Waitsfield, VT 05673

Verilux garantit que ce produit est exempt de défauts matériels et de fabrication pendant une période de un an à compter de la date d'achat initiale du produit auprès de Verilux ou d'un distributeur autorisé de Verilux. **Une preuve d'achat est exigée pour toutes les réclamations de garantie.** Au cours de la période de garantie limitée, Verilux Inc. pourra, à sa discrétion, réparer ou remplacer les pièces défectueuses de ce produit sans aucuns frais pour le client, sous réserve des limitations suivantes : cette garantie limitée ne comprend pas les frais d'affranchissement, de transport, de manutention, d'assurance ou de livraison. Cette garantie ne couvre pas les dommages, défauts ou défaillances causés par ou résultant d'un accident, de la destruction externe, de la transformation, de la modification, de l'utilisation abusive, de la mauvaise utilisation ou de la mauvaise application de ce produit.

Cette garantie ne couvre pas les dommages au produit résultant d'un retour ou d'une opération de manutention. Nous vous conseillons de souscrire à une assurance de transport pour protéger votre produit.

Une autorisation de retour est requise pour tous les retours. Pour obtenir une autorisation de retour, veuillez communiquer avec le service à la clientèle de Verilux au 1-800-786-6850.

Si ce produit ne fonctionne pas correctement au cours des trois premières années de possession, il doit être retourné comme mentionné sur www.verilux.com/warrantyreplacement ou tel que l'aura indiqué un représentant du service à la clientèle de Verilux au 1-800-786-6850.

Remarque : *Verilux recommande l'utilisation d'un parasurtenseur de qualité sur tous les équipements électroniques. Les variations et les pointes de tension peuvent endommager les composants électroniques dans tous les systèmes. Un suppresseur de bonne qualité peut éliminer la grande majorité des défaillances attribuables aux surtensions. Les suppresseurs s'achètent dans les magasins d'appareils électroniques.*

En raison des améliorations qui y sont continuellement apportées, le produit réel peut légèrement différer de la description fournie dans ce manuel.

Veillez visiter notre site Web à www.verilux.com ou téléphoner au service à la clientèle en composant le

1-800-786-6850

Les représentants sont disponibles du lundi au vendredi, de 9 h à 17 h EST

verilux[®]

340 Mad River Park, Waitsfield, VT 05673

Inscrivez la garantie en ligne à

verilux.com/warranty

Imprimé en Chine pour : Verilux, Inc.

VT10_MAN_Rev22

© Copyright 2019 Verilux, Inc. Tous droits réservés.