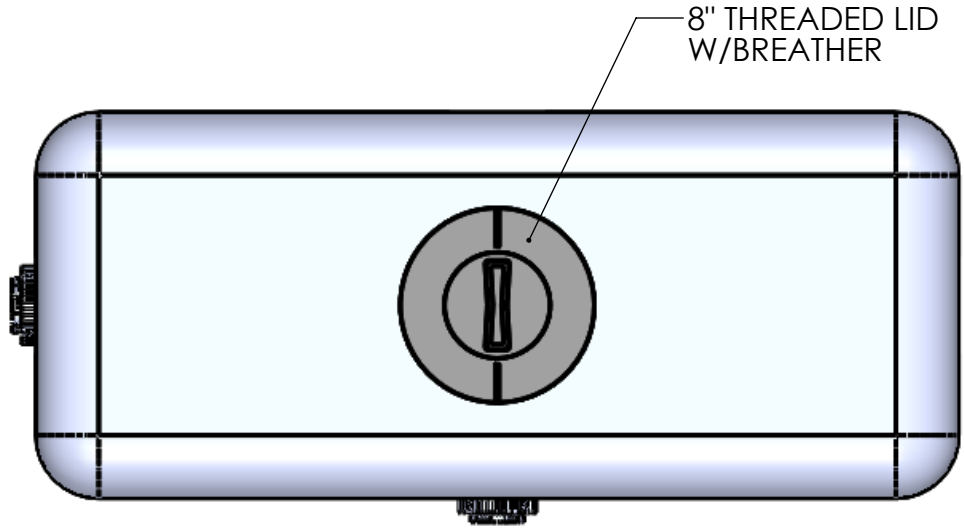


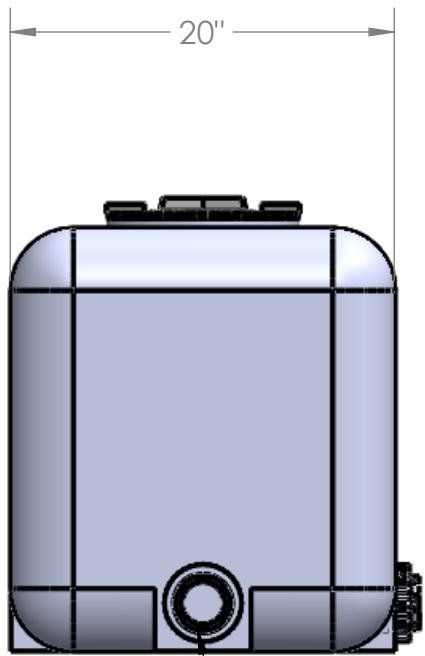
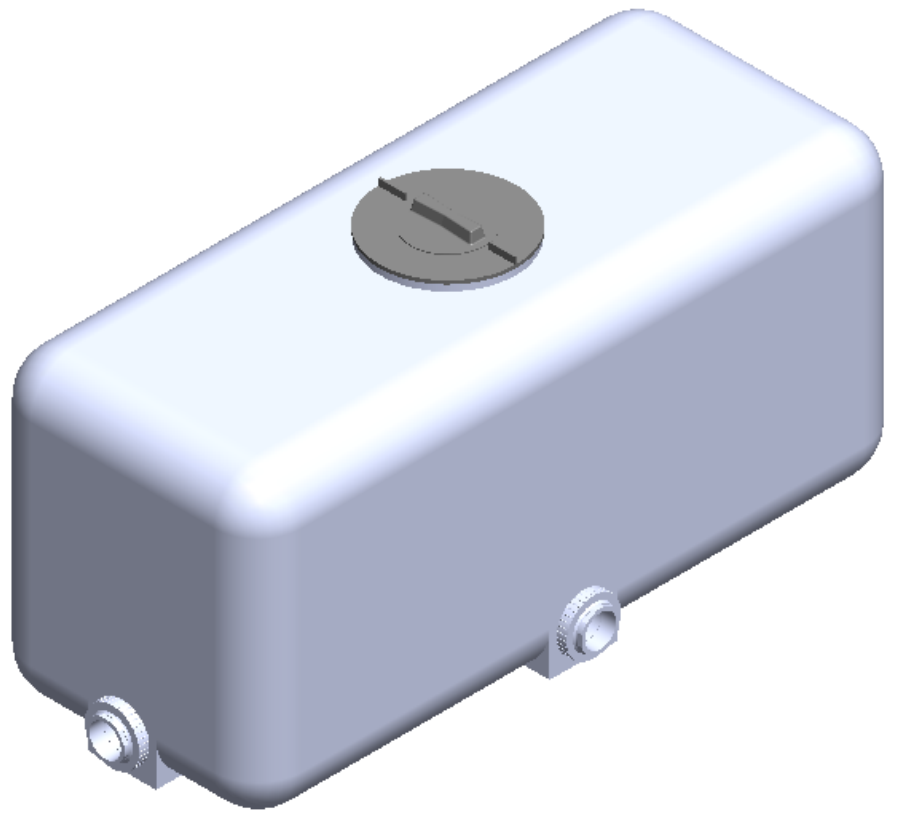
8 7 6 5 4 3 2 1

D
C
B
A

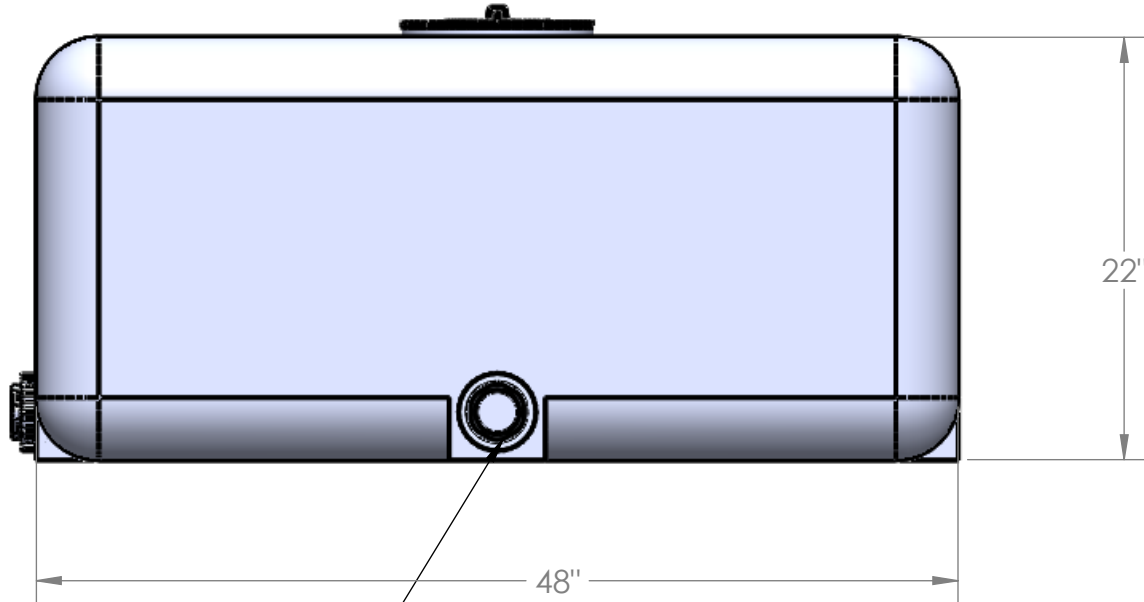
D
C
B
A



8" THREADED LID
W/BREATHER



20"



22"

48"

NOTES:

1. MATERIAL: HDPE
2. WEIGHT: 40 LBS.
3. CAPACITY: 75 GALLONS.
4. SPECIFY SHORT OR LONG SIDE FOR FITTING PLACEMENT

2" POLYPRO
INSTALLED SHORT SIDE

2" POLYPRO
INSTALLED LONG SIDE

PROPRIETARY AND CONFIDENTIAL
THE INFORMATION CONTAINED IN THIS DRAWING IS THE SOLE PROPERTY OF <INSERT COMPANY NAME HERE>. ANY REPRODUCTION IN PART OR AS A WHOLE WITHOUT THE WRITTEN PERMISSION OF <INSERT COMPANY NAME HERE> IS PROHIBITED.

| | | | | | | | |
|-------------|---------|--------------------------------------|--|-----------|------|---------------------------|---|
| | | UNLESS OTHERWISE SPECIFIED: | | NAME | DATE | CUSTOM ROTO-MOLDING, INC. | |
| | | DIMENSIONS ARE IN INCHES | | DRAWN | EBW | 1-30-13 | TITLE: 75 GALLON RECTANGULAR TANK |
| | | TOLERANCES: | | CHECKED | | | |
| | | FRACTIONAL ± | | ENG APPR. | | | |
| | | ANGULAR: MACH ± BEND ± | | MFG APPR. | | | |
| | | TWO PLACE DECIMAL ± | | Q.A. | | | SIZE DWG. NO. REV |
| | | THREE PLACE DECIMAL ± | | COMMENTS: | | | |
| | | INTERPRET GEOMETRIC TOLERANCING PER: | | | | | SCALE: 1:12 WEIGHT: SHEET 1 OF 1 |
| | | MATERIAL | | | | | |
| NEXT ASSY | USED ON | FINISH | | | | | |
| APPLICATION | | DO NOT SCALE DRAWING | | | | | |

8 7 6 5 4 3 2 1