

8 7 6 5 4 3 2 1

D

C

B

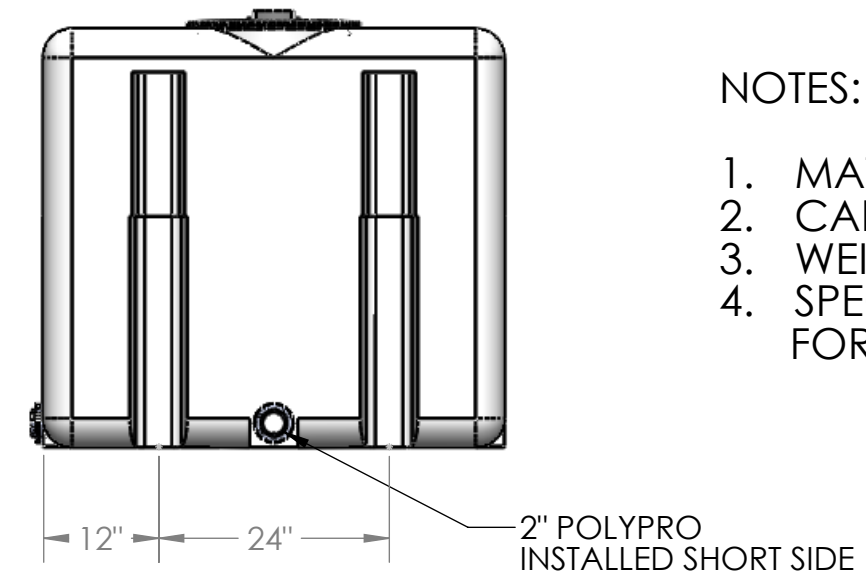
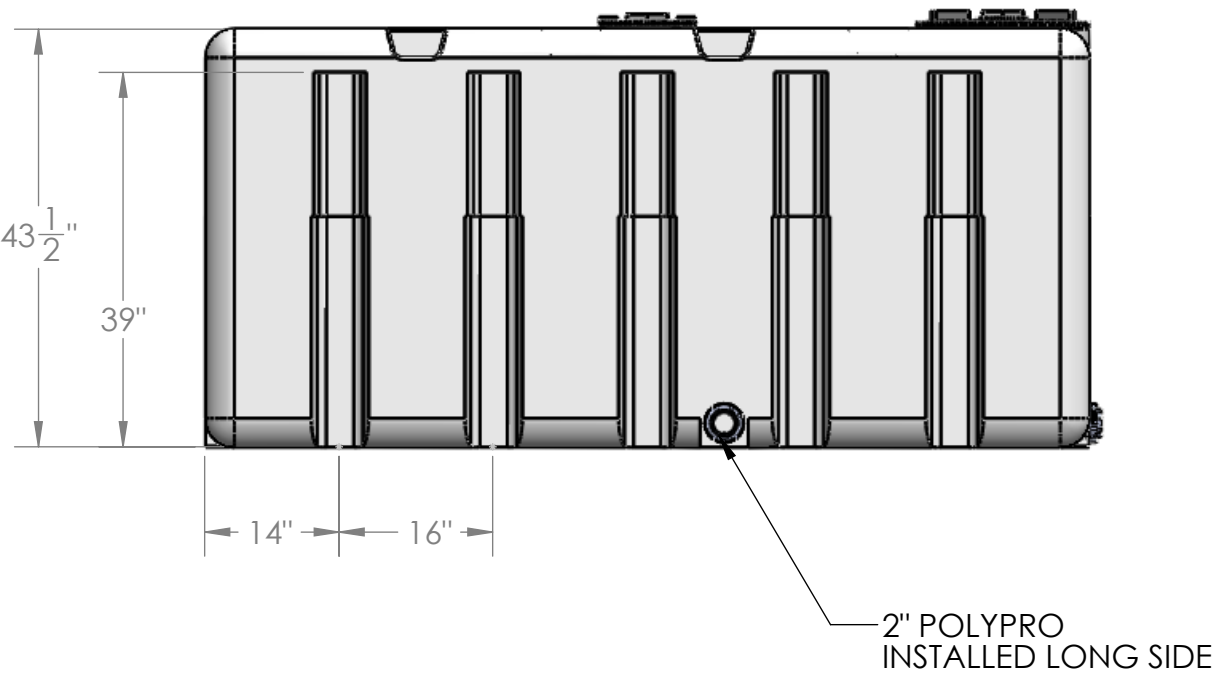
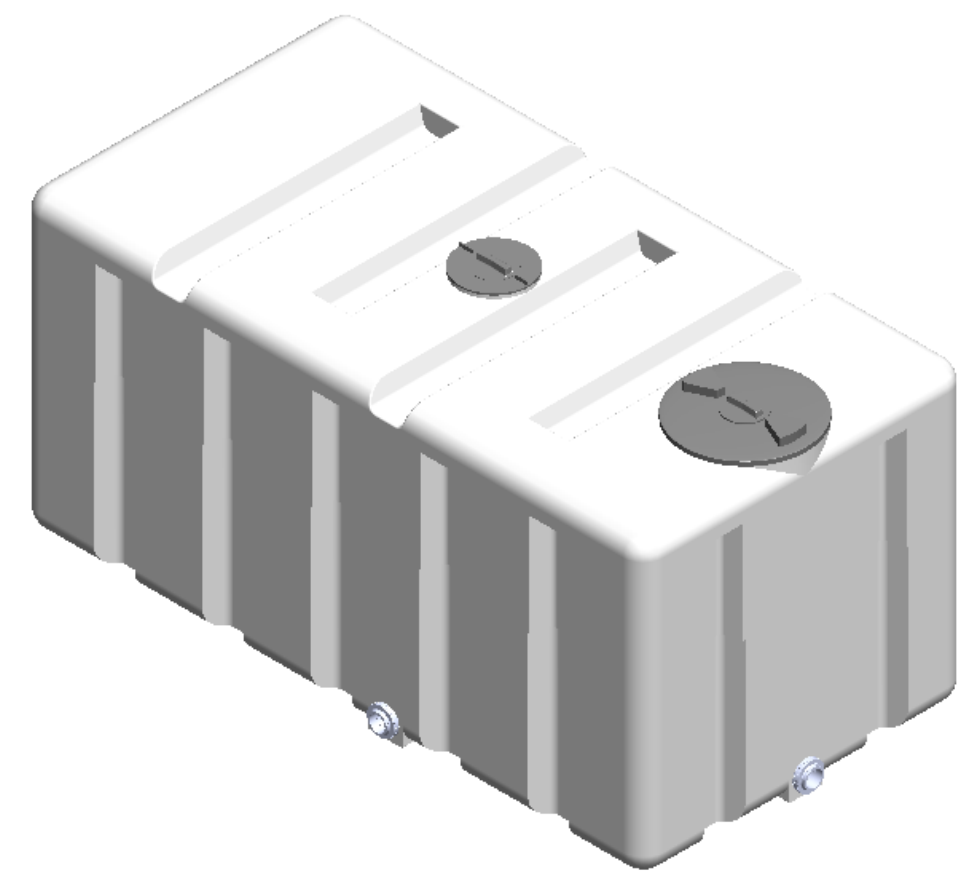
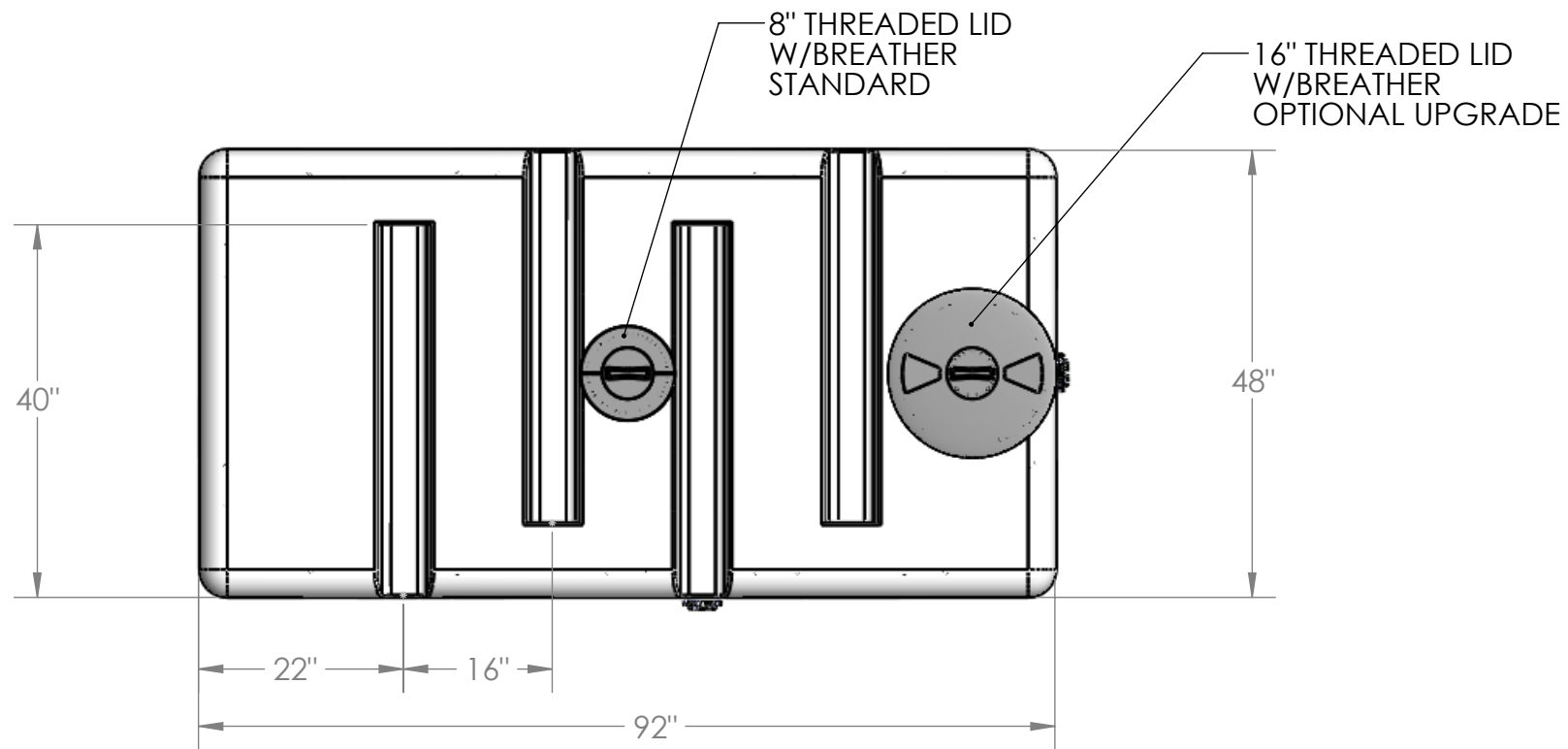
A

D

C

B

A



NOTES:

1. MATERIAL: HDPE
2. CAPACITY: 750 GALLONS
3. WEIGHT: 325 LBS.
4. SPECIFY SHORT OR LONG SIDE FOR FITTING PLACEMENT.

PROPRIETARY AND CONFIDENTIAL
 THE INFORMATION CONTAINED IN THIS DRAWING IS THE SOLE PROPERTY OF POLYFARM LLC. ANY REPRODUCTION IN PART OR AS A WHOLE WITHOUT THE WRITTEN PERMISSION OF POLYFARM LLC IS PROHIBITED.

		UNLESS OTHERWISE SPECIFIED:		NAME		DATE		TANKBARN.COM	
		DIMENSIONS ARE IN INCHES		DRAWN		EBW 7-9-12			
		TOLERANCES:		CHECKED				TITLE:	
		FRACTIONAL ±		ENG APPR.				750 GALLON	
		ANGULAR: MACH ± BEND ±		MFG APPR.				RECTANGULAR TANK	
		TWO PLACE DECIMAL ±		Q.A.				SIZE DWG. NO. REV	
		THREE PLACE DECIMAL ±		COMMENTS:				B 750 RT	
		INTERPRET GEOMETRIC TOLERANCING PER:						SCALE: 1:16 WEIGHT: SHEET 1 OF 1	
		MATERIAL							
NEXT ASSY		USED ON		FINISH					
APPLICATION				DO NOT SCALE DRAWING					

8 7 6 5 4 3 2 1