

8" THREADED LID  
W/BREATHER

2 1/4"

24"

32"

48"

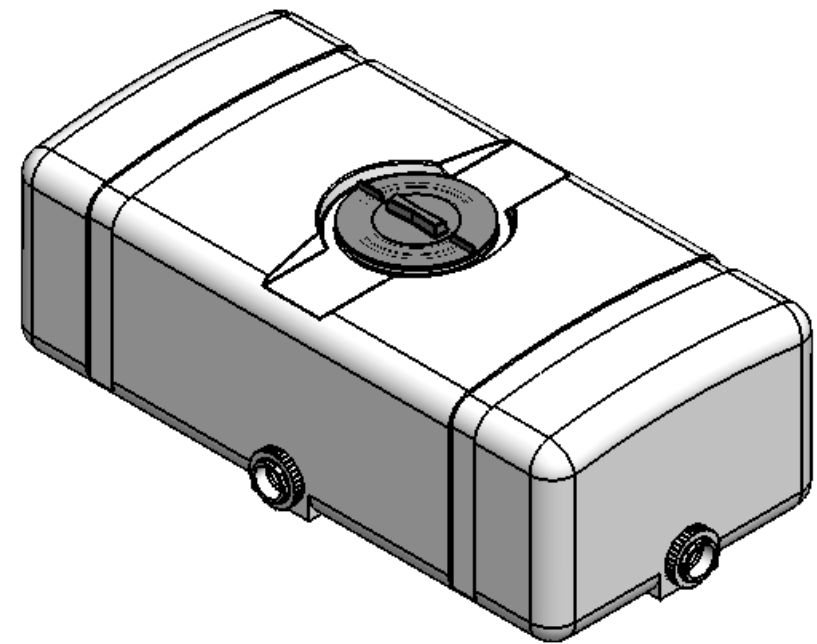
2 1/4"

16"

16 9/16"

2" POLYPRO  
INSTALLED LONG SIDE

2" POLYPRO  
INSTALLED SHORT SIDE



NOTES:

1. MATERIAL: HDPE
2. WEIGHT: 36 LBS.
3. CAPACITY: 70 GALLONS
4. SPECIFY SHORT OR LONG SIDE FOR FITTING PLACEMENT

**PROPRIETARY AND CONFIDENTIAL**  
THE INFORMATION CONTAINED IN THIS DRAWING IS THE SOLE PROPERTY OF POLYFARM LLC. ANY REPRODUCTION IN PART OR AS A WHOLE WITHOUT THE WRITTEN PERMISSION OF POLYFARM LLC IS PROHIBITED.

		UNLESS OTHERWISE SPECIFIED:		NAME	DATE	TANKBARN.COM	
		DIMENSIONS ARE IN INCHES		DRAWN	EBW		1-29-14
		TOLERANCES:		CHECKED			
		FRACTIONAL ±		ENG APPR.			
		ANGULAR: MACH ± BEND ±		MFG APPR.			
		TWO PLACE DECIMAL ±		Q.A.			
		THREE PLACE DECIMAL ±		COMMENTS:			
		INTERPRET GEOMETRIC TOLERANCING PER:				TITLE:	
		MATERIAL				70 GALLON LOW PROFILE RECTANGULAR TANK	
		FINISH				SIZE DWG. NO. REV	
NEXT ASSY	USED ON					<b>B</b> 70 LPRT	
APPLICATION		DO NOT SCALE DRAWING				SCALE: 1:8 WEIGHT: SHEET 1 OF 1	