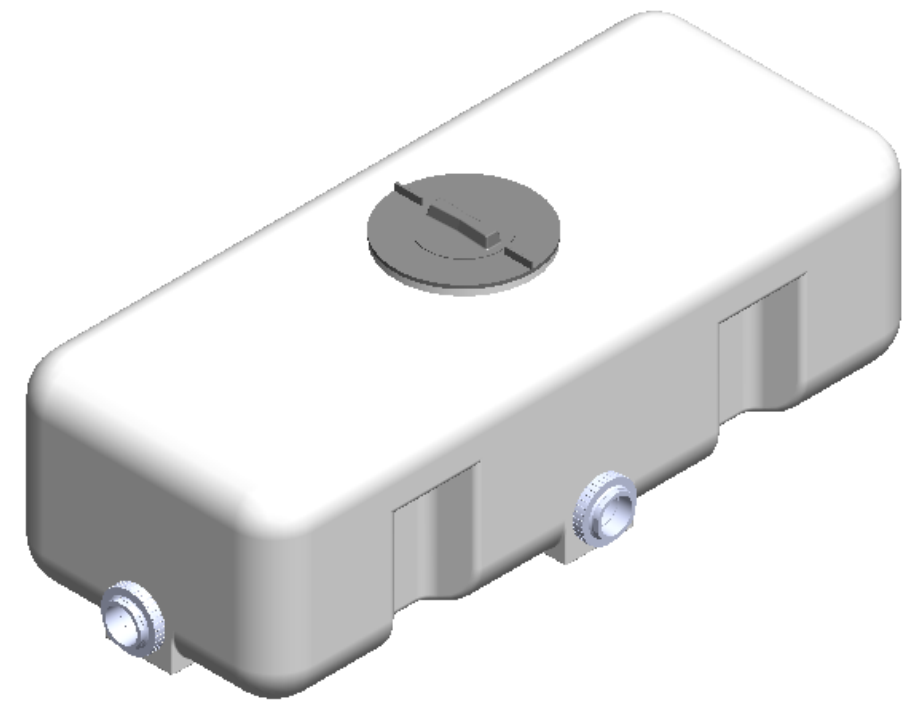
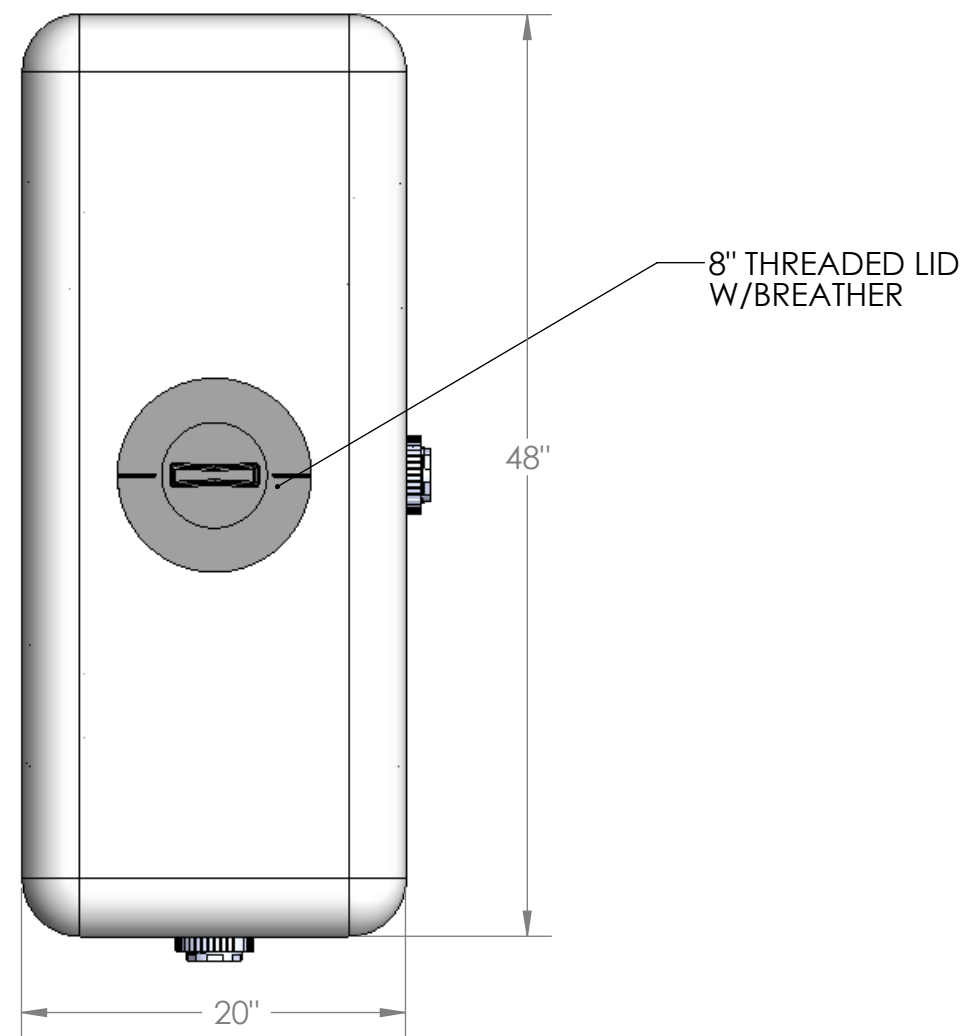


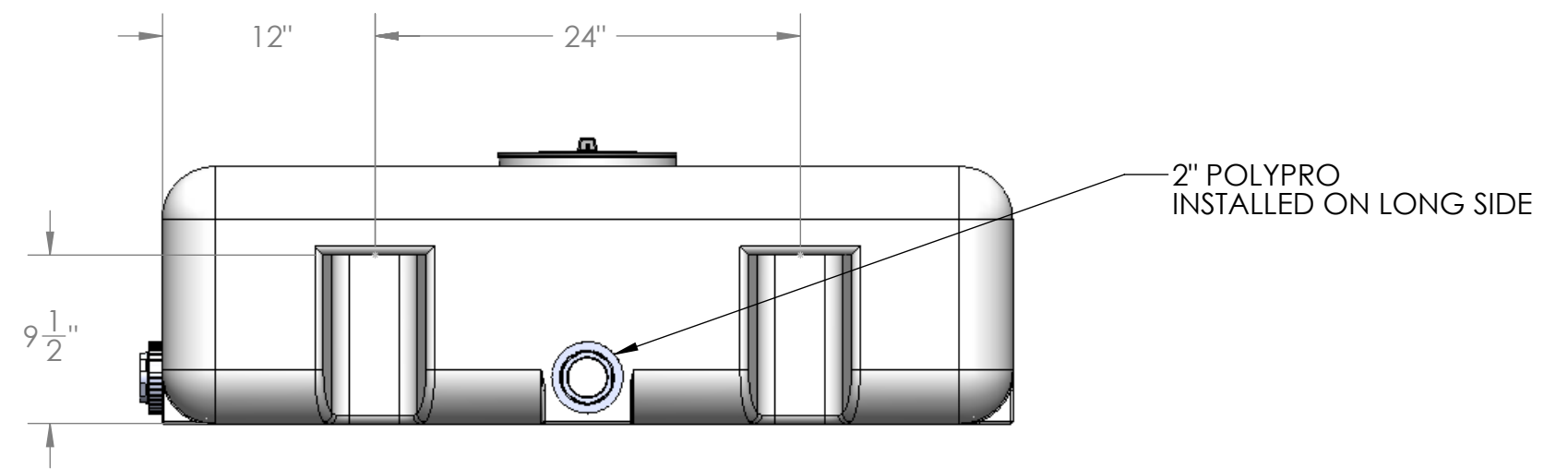
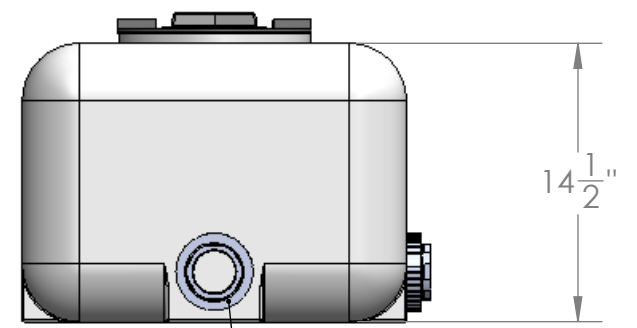
8 7 6 5 4 3 2 1

D
C
B
A



NOTES:

1. MATERIAL: HDPE
2. CAPACITY: 50 GALLONS
3. WEIGHT: 25 LBS
4. SPECIFY SHORT OR LONG SIDE FOR FITTING PLACEMENT.



2" POLYPRO
INSTALLED SHORT SIDE

PROPRIETARY AND CONFIDENTIAL
THE INFORMATION CONTAINED IN THIS DRAWING IS THE SOLE PROPERTY OF POLYFARM LLC. ANY REPRODUCTION IN PART OR AS A WHOLE WITHOUT THE WRITTEN PERMISSION OF POLYFARM LLC IS PROHIBITED.

| | | | | | | |
|-------------|---------|---|--|-----------|------|----------------------------------|
| | | UNLESS OTHERWISE SPECIFIED: | | NAME | DATE | TANKBARN.COM |
| | | DIMENSIONS ARE IN INCHES TOLERANCES: FRACTIONAL ± ANGULAR: MACH ± BEND ± TWO PLACE DECIMAL ± THREE PLACE DECIMAL ± | | DRAWN | EBW | |
| | | INTERPRET GEOMETRIC TOLERANCING PER: | | CHECKED | | TITLE: |
| | | MATERIAL | | ENG APPR. | | 50 GALLON RECTANGULAR TANK |
| | | FINISH | | MFG APPR. | | SIZE DWG. NO. REV |
| NEXT ASSY | USED ON | DO NOT SCALE DRAWING | | Q.A. | | B 50 RT |
| APPLICATION | | | | COMMENTS: | | SCALE: 1:20 WEIGHT: SHEET 1 OF 1 |

8 7 6 5 4 3 2 1