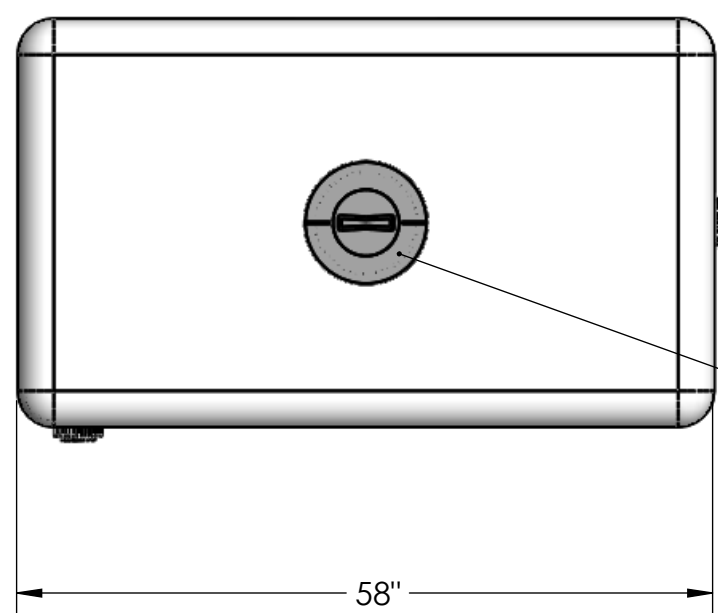
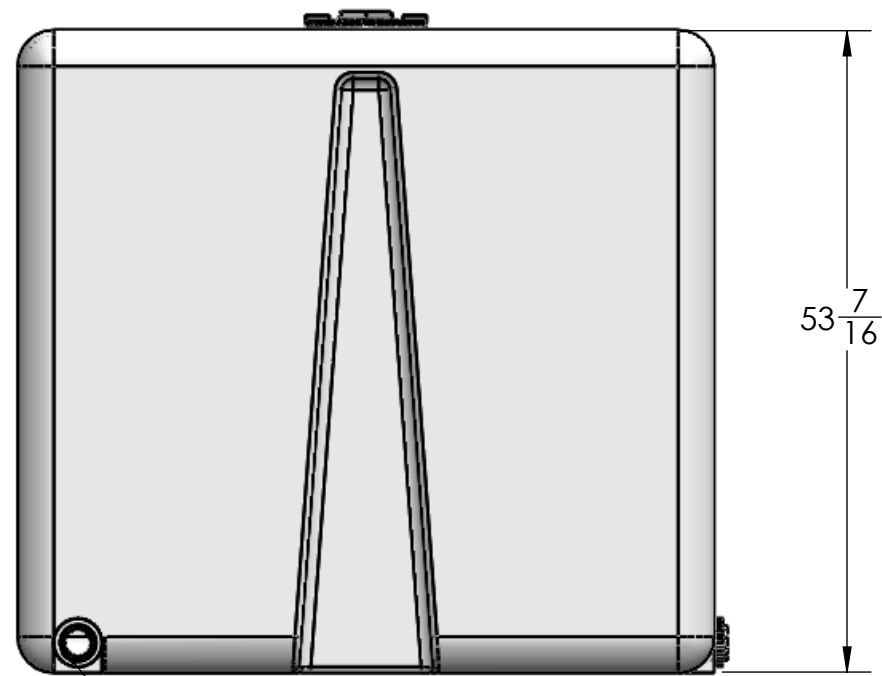
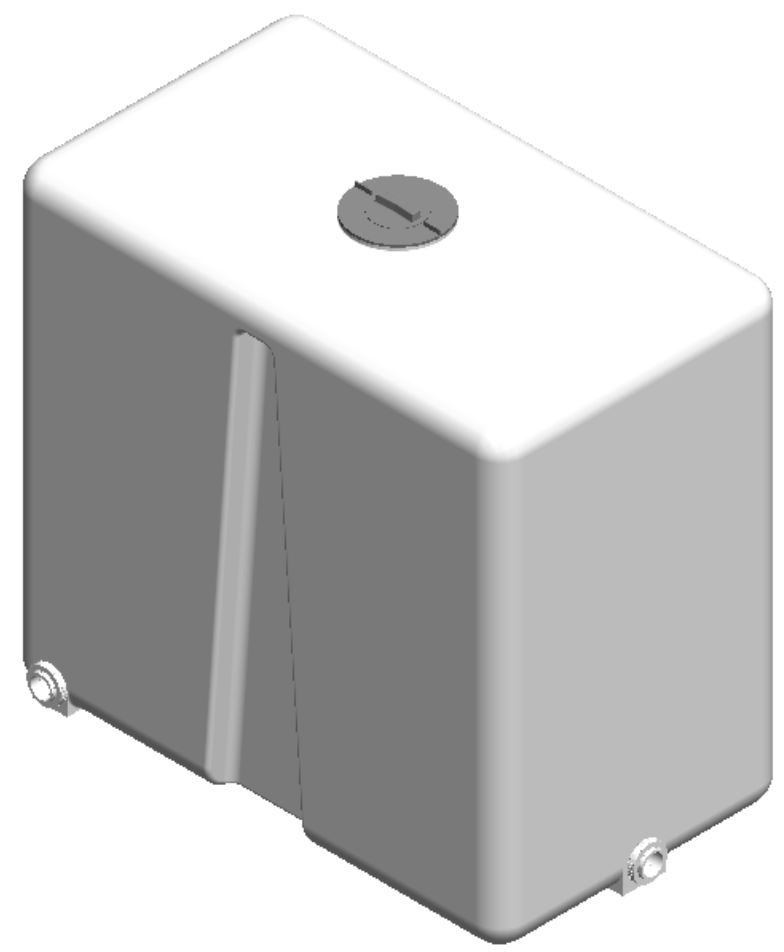


8 7 6 5 4 3 2 1



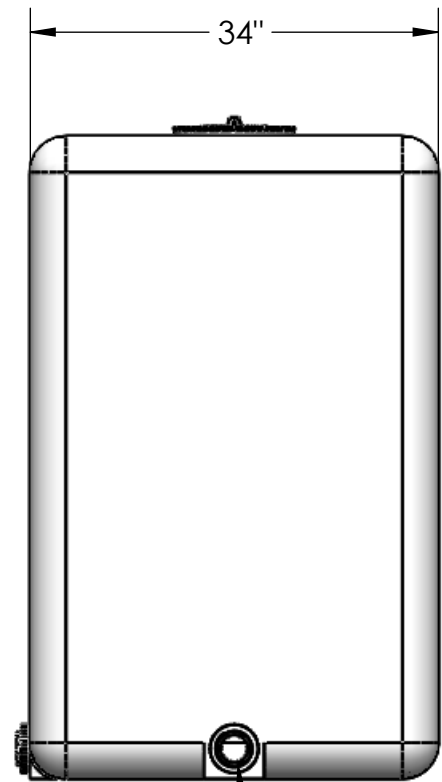
8" THREADED LID
W/BREATHER

58"



2" POLYPRO
INSTALLED LONG SIDE

53 ⁷/₁₆"



2" POLYPRO
INSTALLED SHORT SIDE

34"

NOTES:

1. MATERIAL: HDPE
2. CAPACITY: 400 GALLONS
3. WEIGHT: 225 LBS.
4. SPECIFY SHORT OR LONG SIDE FOR FITTING PLACEMENT.

PROPRIETARY AND CONFIDENTIAL
THE INFORMATION CONTAINED IN THIS DRAWING IS THE SOLE PROPERTY OF POLYFARM LLC. ANY REPRODUCTION IN PART OR AS A WHOLE WITHOUT THE WRITTEN PERMISSION OF POLYFARM LLC IS PROHIBITED.

		UNLESS OTHERWISE SPECIFIED:		NAME	DATE	TANKBARN.COM	
		DIMENSIONS ARE IN INCHES TOLERANCES: FRACTIONAL ± ANGULAR: MACH ± BEND ± TWO PLACE DECIMAL ± THREE PLACE DECIMAL ±		DRAWN	EBW		
		INTERPRET GEOMETRIC TOLERANCING PER:		CHECKED			TITLE: 400 GALLON RECTANGULAR TALL TANK
		MATERIAL		ENG APPR.			
		FINISH		MFG APPR.			SIZE DWG. NO. REV
NEXT ASSY	USED ON	DO NOT SCALE DRAWING		Q.A.			B 400 RTT
APPLICATION				COMMENTS:			SCALE: 1:16 WEIGHT: SHEET 1 OF 1

8 7 6 5 4 3 2 1