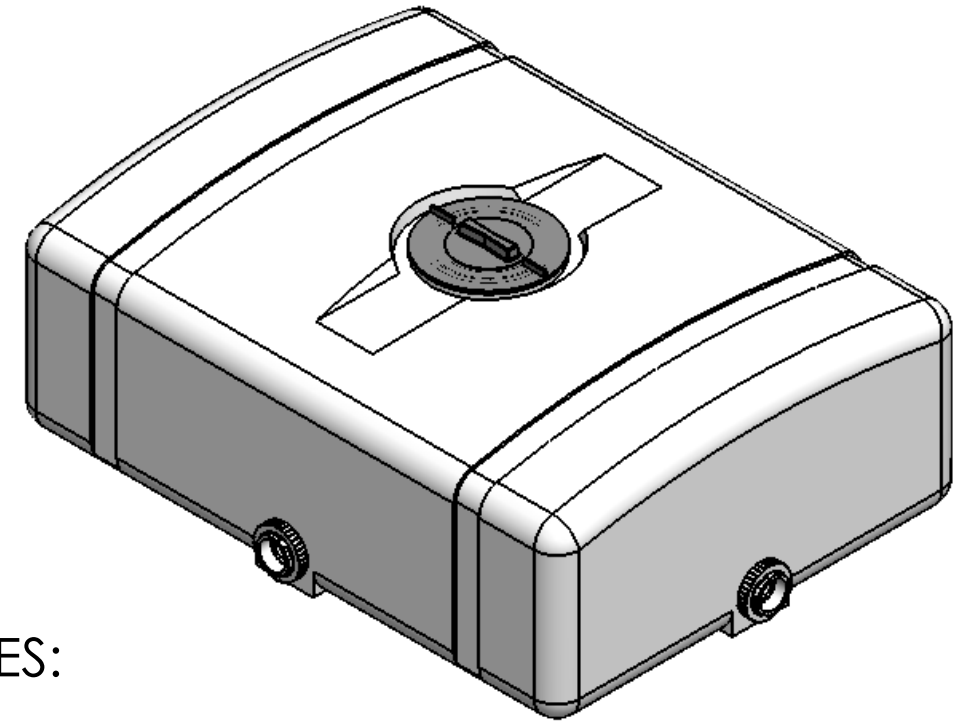
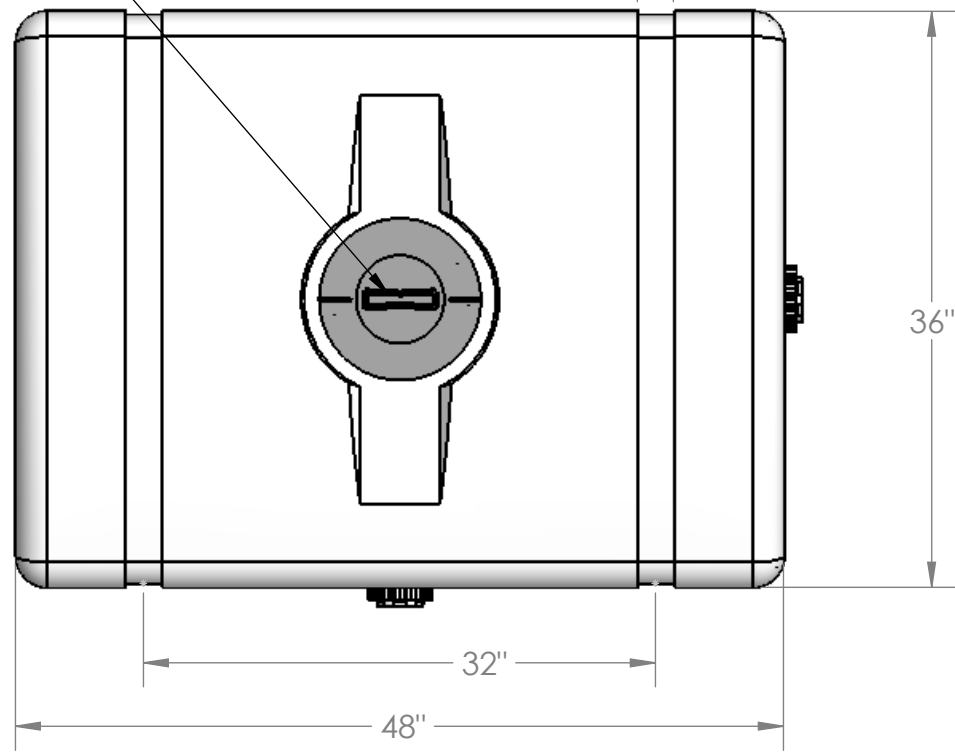


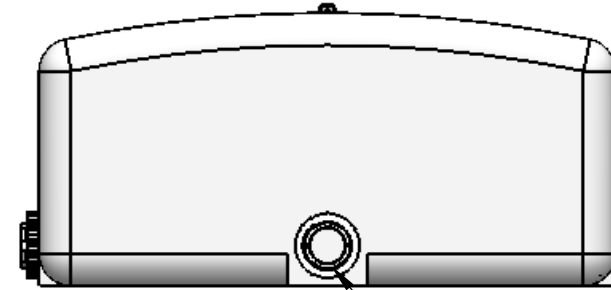
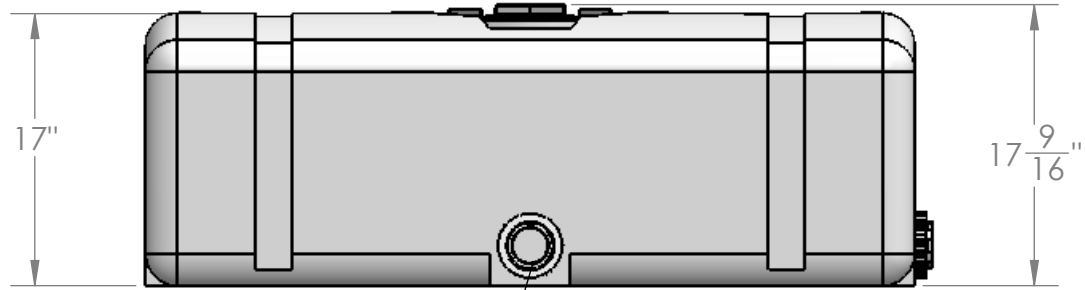
8" THREADED LID
W/BREATHER

2 1/4"



NOTES:

1. MATERIAL: HDPE
2. WEIGHT: 55 LBS.
3. CAPACITY: 110 GALLONS
4. SPECIFY LONG OR SHORT SIDE FOR FITTING PLACEMENT.



2" POLYPRO INSTALLED SHORT SIDE

2" POLYPRO
INSTALLED LONG SIDE

PROPRIETARY AND CONFIDENTIAL
THE INFORMATION CONTAINED IN THIS DRAWING IS THE SOLE PROPERTY OF POLYFARM LLC. ANY REPRODUCTION IN PART OR AS A WHOLE WITHOUT THE WRITTEN PERMISSION OF POLYFARM LLC IS PROHIBITED.

		UNLESS OTHERWISE SPECIFIED:		NAME	DATE	TANKBARN.COM	
		DIMENSIONS ARE IN INCHES		DRAWN	EBW		1-29-14
		TOLERANCES:		CHECKED			
		FRACTIONAL ±		ENG APPR.			
		ANGULAR: MACH ±		MFG APPR.			
		BEND ±		Q.A.			
		TWO PLACE DECIMAL ±		COMMENTS:			
		THREE PLACE DECIMAL ±					
		INTERPRET GEOMETRIC TOLERANCING PER:				TITLE:	
		MATERIAL				110 GALLON LOW PROFILE RECTANGULAR TANK	
NEXT ASSY	USED ON	FINISH				SIZE DWG. NO. REV	
		DO NOT SCALE DRAWING				B 110 LPRT	
						SCALE: 1:12 WEIGHT: SHEET 1 OF 1	