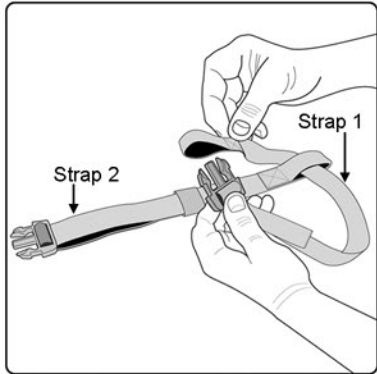


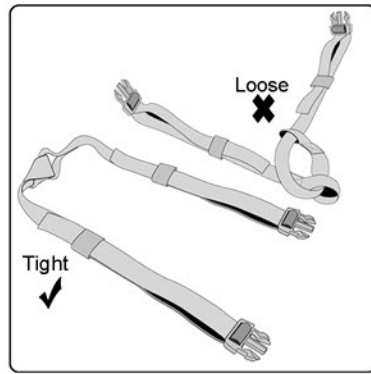
# Commuter Tail Pack Instructions

CL-1060-S2 / ST2 / R

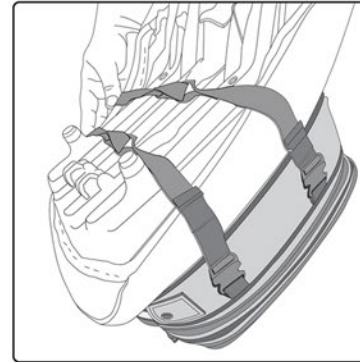
Please read instructions carefully before installation. We recommend this product be installed by a qualified and experienced motorcycle technician. If you are unsure of any of the below directions and or your ability to correctly and securely install this product, please contact us or your local dealer for help. Below diagrams show typical installation, your motorcycle may be different so please use diagrams as a guide. Make sure your motorcycle is clean and free from dirt, road grime, etc. where the Nelson-Rigg® luggage mounts.



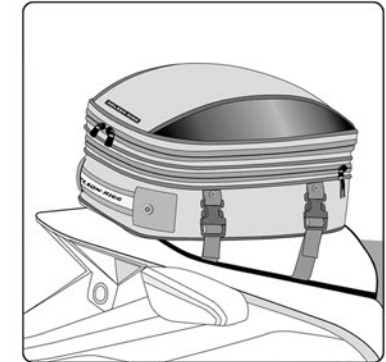
For a cleaner look, you can also mount the bag directly to your seat or rear pillion. Connect two of the mounting straps together by inserting Strap 1 through the loop of Strap 2. Take the male buckle of Strap 1 and insert into the loop of same strap 1. Pull on Strap 1 until it is tight.



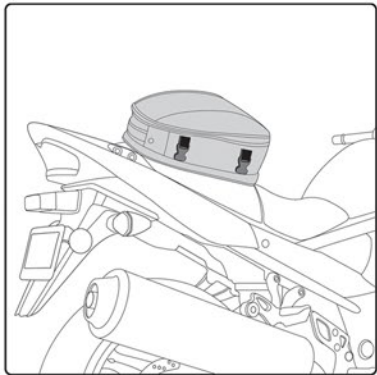
When the straps are connected correctly, they should look like above image. Pull both straps at the same time ensuring that they will not tighten more once connected to the bag. Remove your seat and turn it upside down exposing the underside. Lay the straps on top of the underside of the seat and make sure they do not interfere with any moving parts, hooks, clips or brackets needed to properly secure and lock the seat back in place when reinstalled.



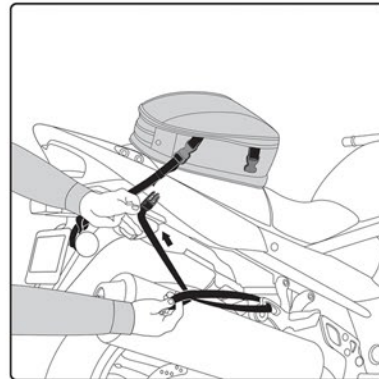
Next lay the seat onto the underside of the bag and connect all 4 straps into the tail pack. When attached properly, you should hear a snap ensuring proper placement and connectivity. Once secure, pull the straps snug ensuring that the bag is centered and resting on a flat surface and has very little or no movement.



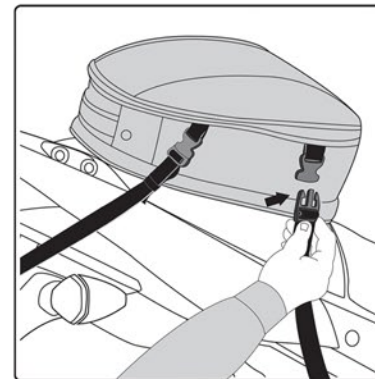
When the straps are secured into the bag and around the seat, it should appear like above illustration. Any excess strap can be folded and tucked inside the provided elastic strap loops. Before operating your motorcycle, double check that the bag and all straps are free from any moving parts or surfaces that may get hot during operation. It's always good practice to recheck all mounting points, stability and condition of the bag and the mounting system before and during stops on each ride.



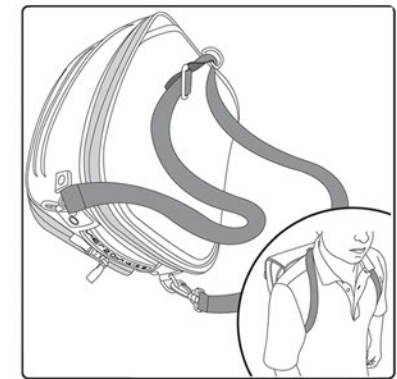
For mounting directly to the bike, position tail bag on seat or tail section of the motorcycle making sure bag is centered and free from all moving and hot parts.



To secure take the strap with male buckle on one side and loop on the opposite side and hook the loop around a solid bike part or pass the loop around a part of the frame and push the male buckle through the loop creating a noose and pull to securely attach, as per the above images.



Connect the male buckle to the female buckle on bag. When connected properly, you should hear a snap ensuring proper connectivity. Once secure, pull the strap snug ensuring that the bag is resting on a flat surface and has very little or no movement. Any extra strap can be folded and tucked inside the provided elastic strap loops.



Lengthen the shoulder strap to its max length. Connect one male buckle into a female buckle closest to the handle. Insert the male buckle on the opposite end into the D-ring and pull down to connect into the other female buckle closest to the handle.

## Warning:

Read the installation instructions and make yourself familiar with the process of installing the Nelson-Rigg® product(s) on your bike. It is your responsibility to mount the product correctly and securely as outlined in these instructions. Nelson-Rigg® products are intended for use at USA street legal speeds as posted by the individual States. Nelson-Rigg® luggage must not be overloaded. Max carrying capacity is 10 lbs per bag or the maximum load suggested by the manufacturer of the vehicle, whichever is less.

Failure to adhere to these warnings may result in, but not be limited to: the luggage becoming detached, the product becoming tangled in moving parts of the vehicle, unstable vehicle dynamics, reduction in the ability to control the vehicle. The result(s) of could lead to serious injury.

**Always ride safely, adhering to the local highway regulations. Always wear a helmet and protective apparel.**

3518-A Lake Center Dr Santa Ana, CA 92704  
Tel (714)850-1811 Fax (714)850-1848  
e-mail: [info@nelsonrigg.com](mailto:info@nelsonrigg.com) [www.nelsonrigg.com](http://www.nelsonrigg.com)

