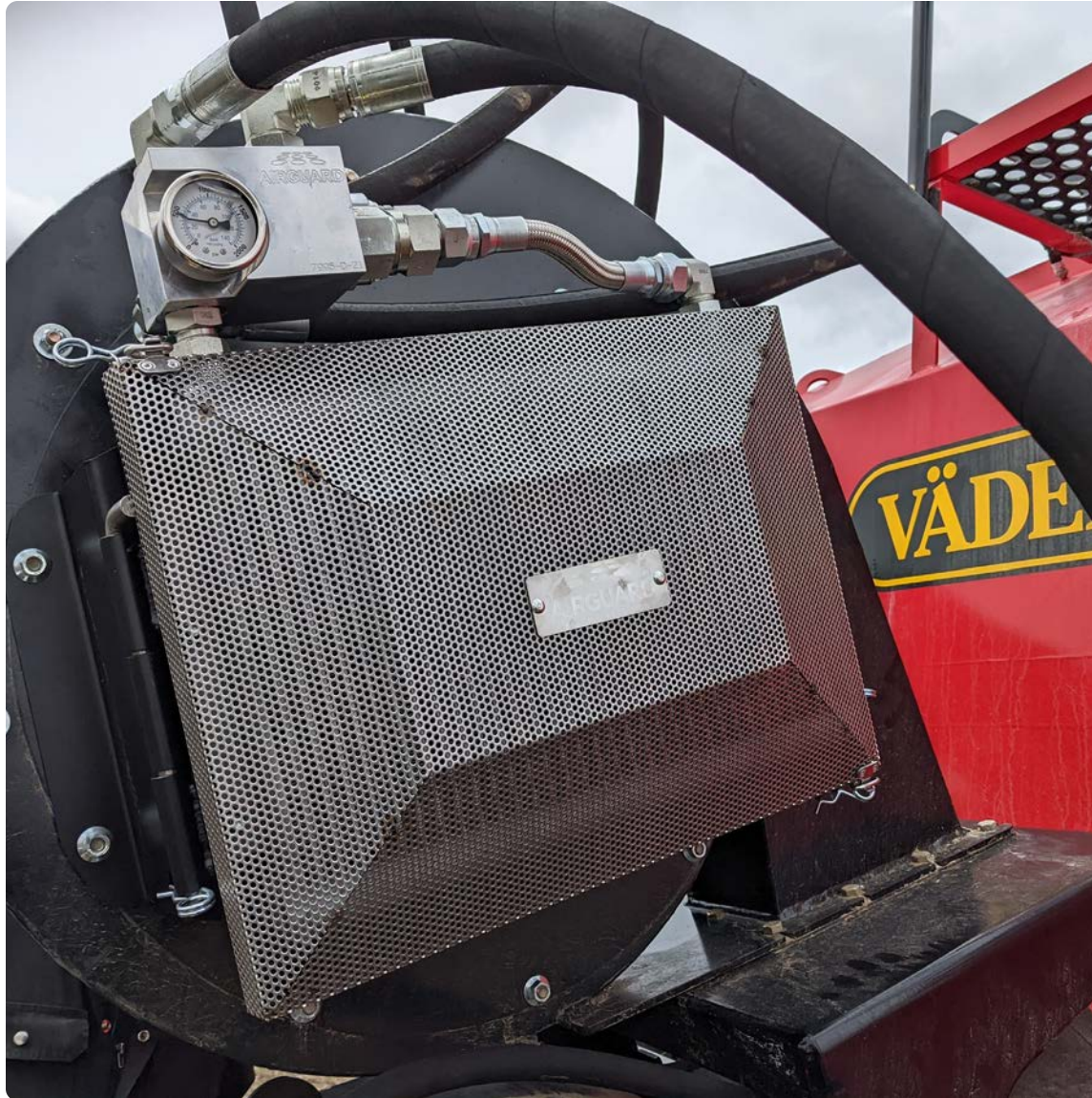


PART KIT INSTALL INSTRUCTIONS

Vaderstad Aircarts

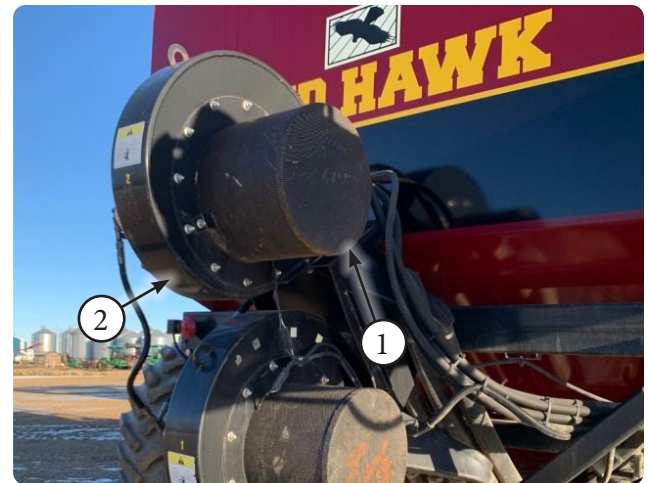
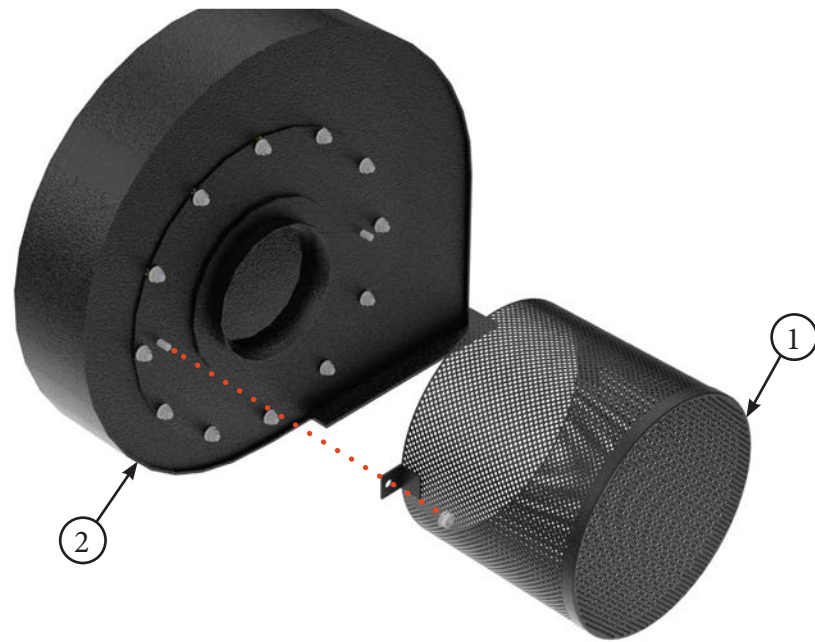
Part Kit #VARIES - Rev 1.0 - AIRGUARD - Blockage Prevention System

Release Date: 2023-03-01




AIRGUARD
SEEDING PRECISION

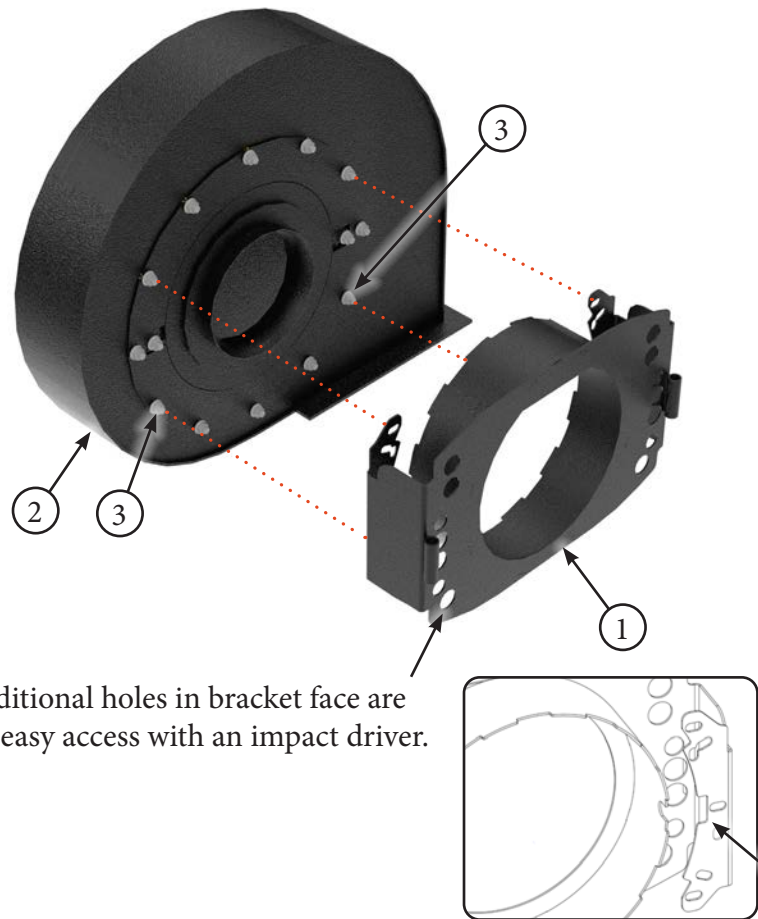
Title	Airguard Blockage Prevention System Upgrade Instructions	RELEASE DATE	2023-03-01
STEP	1. Remove existing fan screen (Item 1) from the fan housing (Item 2).	REV #	1.0
		PART KIT #	Varies



PARTS LIST		
Item	Part #	Description
1	--	REM Fan Screen

PARTS LIST		
Item	Part #	Description
2	--	REM Fan Housing / or / Tsunami Blower Housing

Title	Airguard Blockage Prevention System Upgrade Instructions	RELEASE DATE	2023-03-01
STEP	2. Install supplied mounting bracket (Item 1) to fan housing (Item 2) using existing bolts and nuts (Item 3). Angle mount bracket in a position that ensures the supplied hydraulic hoses reach the fan motor. Additional holes in bracket face (Item 4) are for easy access with an impact driver. Bracket may look different than shown below.	REV #	1.0
		PART KIT #	Varies



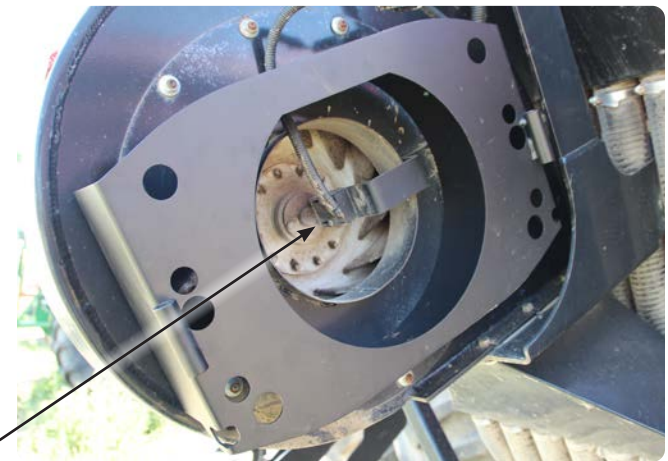
Use Kit # 9560 for the following Models:

- 660icon (2020 and newer, Serial 201000 or higher)
- 680icon
- 800icon
- 980
- 980icon



Use Kit # 9520 for the following Models:

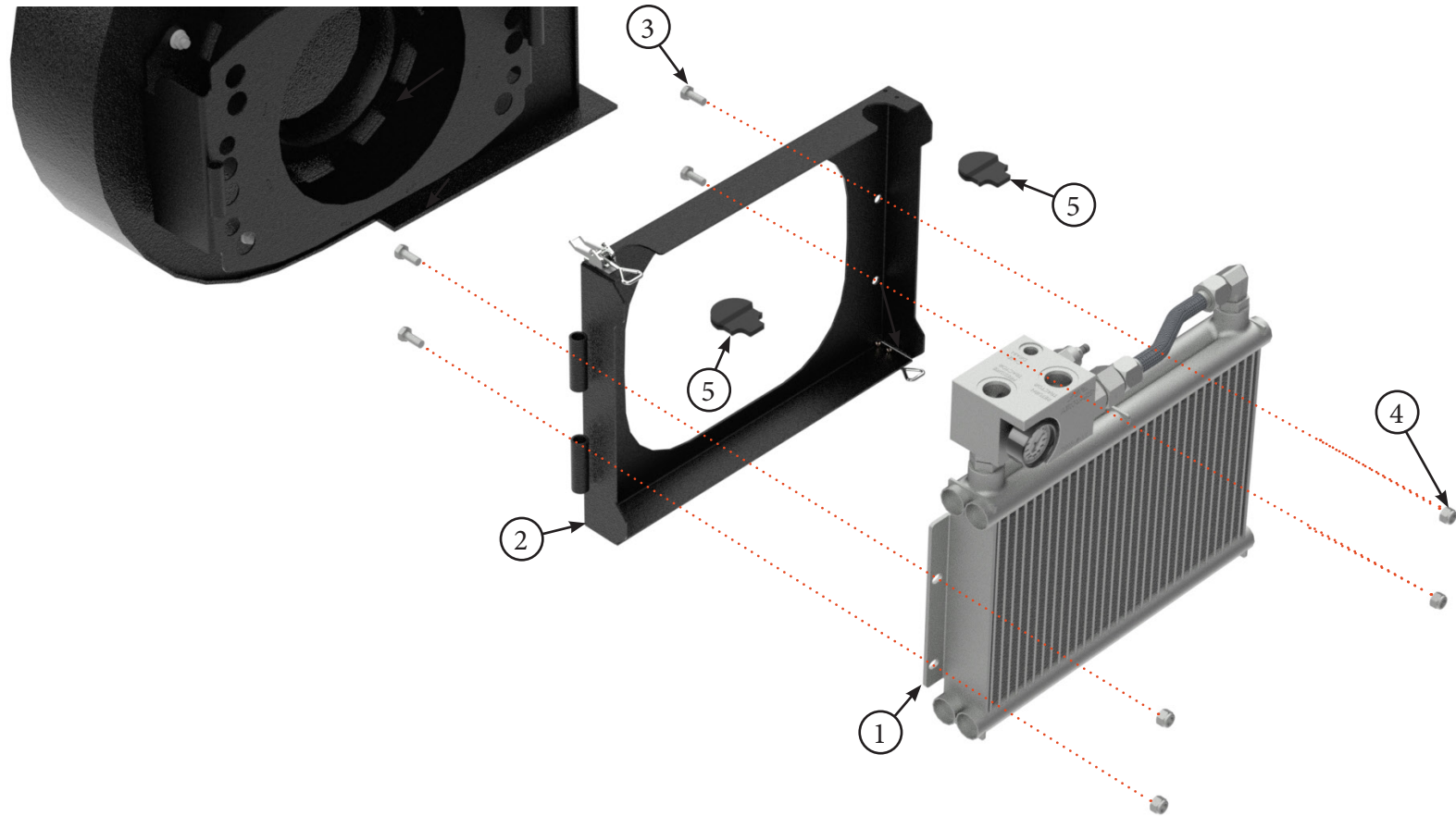
- 21C
- 397
- 400plus
- 500
- 600
- 660icon (2019 and older, Serial 192999 or lower)
- 800



PARTS LIST		
Item	Part #	Description
1	7554 / or / 7619	REM RT Fan Bracket / or / Tsunami Blower Bracket
2	--	REM Fan Housing / or / Tsunami Blower Housing

PARTS LIST		
Item	Part #	Description
3	--	3/8" -16 NC Serrated Flange GR5 YZ

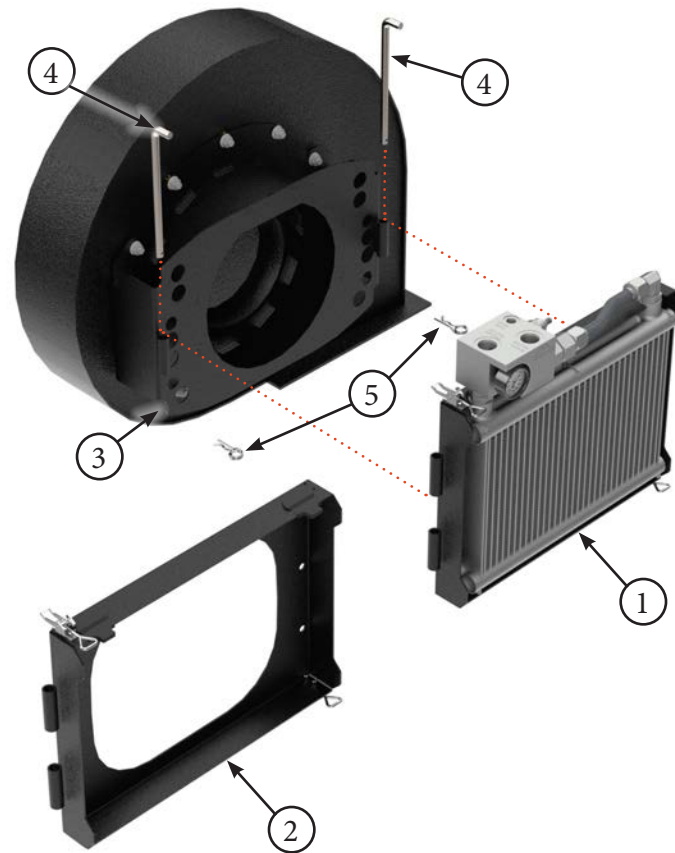
Title	Airguard Blockage Prevention System Upgrade Instructions	RELEASE DATE	2023-03-01
STEP	3. Bolt Oil Cooler/Radiator Assembly (Item 1) to BP System Bracket (Item 2) using supplied 10mm x 25mm Bolts (Item 3) and 10mm lock nuts (Item 4). If only installing snorkel kit without Radiator, then install plastic plugs (Item 5) onto BP Sytem Bracket (Item 2). This step of the installation may already be completed at the Airguard factory prior to shipping.	REV #	1.0
		PART KIT #	Varies



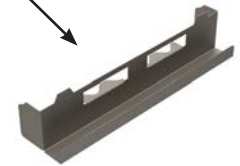
PARTS LIST		
Item	Part #	Description
1	7996	Oil Cooler and Manifold Assembly
2	7546	Main BP System Bracket
3	7515	Hex Bolt, 10mm x 25mm Grade 8.8

PARTS LIST		
Item	Part #	Description
4	7516	Lock Nut, 10mm Grade 8.8
5	7683	BP System Bracket Plug

Title	Airguard Blockage Prevention System Upgrade Instructions	RELEASE DATE	2023-03-01
STEP	4. Remove the plastic packaging materials prior to the assembly of these brackets. Mount BP System Main Bracket with Oil Cooler (Item 1) or Main Bracket with Plugs (Item 2) to Fan bracket (Item 3) using supplied pivot pins (Item 4). Secure in place with 3.5mm cotter pins (Item 5).	REV #	1.0
		PART KIT #	Varies



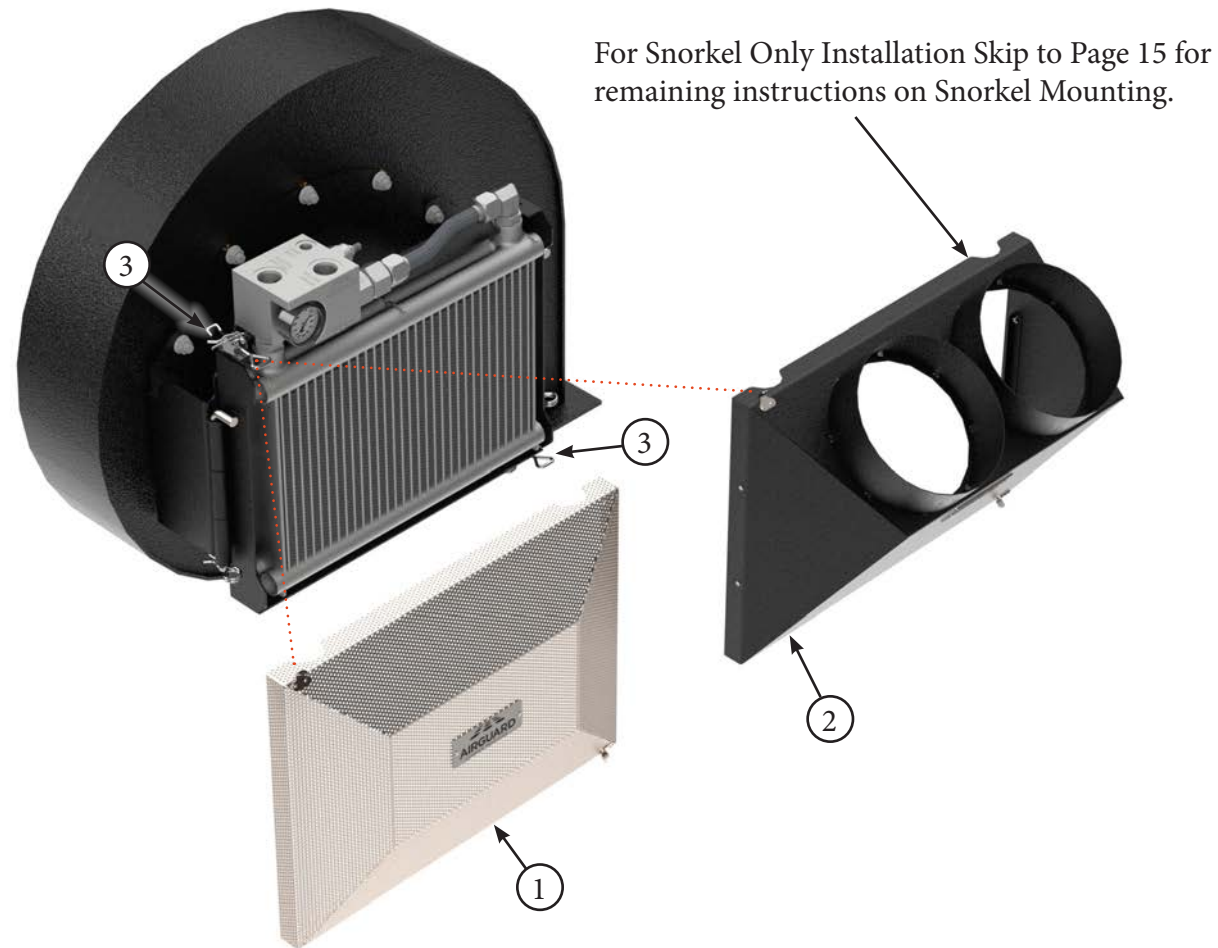
Remove Packaging material and discard, prior to install.



PARTS LIST		
Item	Part #	Description
1	--	BP System Main Bracket with Oil Cooler
2	--	BP System Main Bracket with Plugs for Snorkel Only Install
3	--	REM RT Fan Bracket / or / Tsunami Blower Bracket

PARTS LIST		
Item	Part #	Description
4	7502	Pivot Pin For BP Systems
5	7513	3.5mm Cotter Pin

Title	Airguard Blockage Prevention System Upgrade Instructions	RELEASE DATE	2023-03-01
STEP	5. Attach Mesh Screen (Item 1) or Snorkel Housing (Item 2) to front of BPS using latches (Item 3).	REV #	1.0
		PART KIT #	Varies



PARTS LIST		
Item	Part #	Description
1	7568	Mesh Screen
2	7977	Snorkel Housing

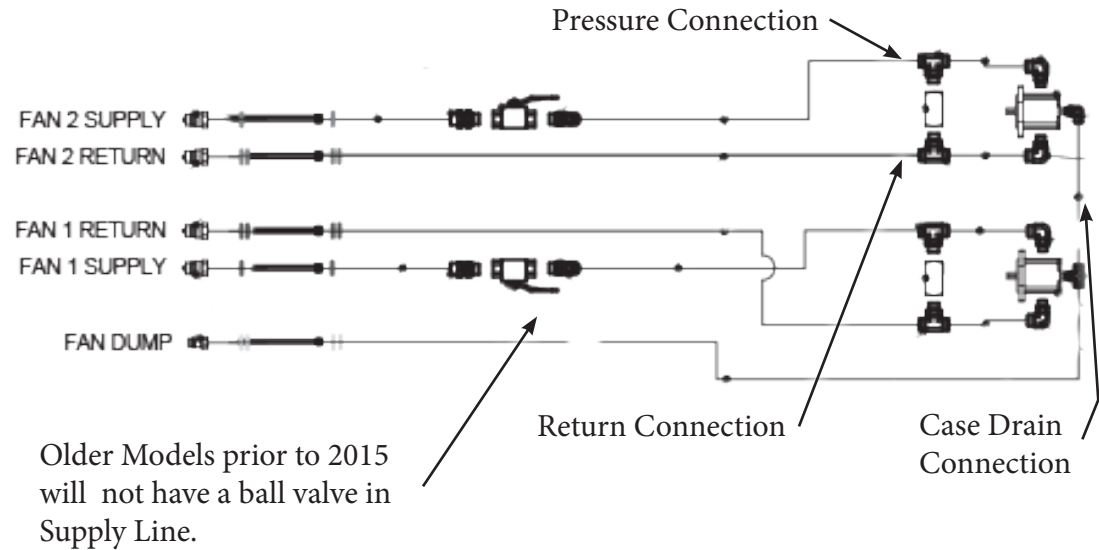
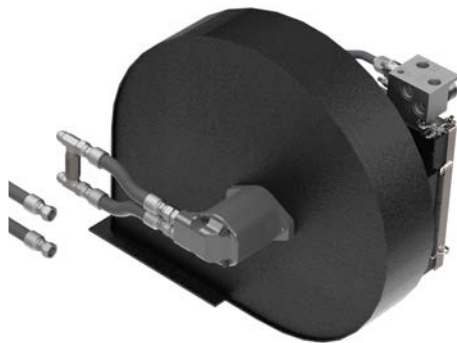
PARTS LIST		
Item	Part #	Description
3	--	Overcenter Latch

Title	Airguard Blockage Prevention System Upgrade Instructions	RELEASE DATE	2023-03-01
STEP	6. Identify the model of aircart that the Airguard Blockage Prevention System is being installed on. For models with external check valves, the connections must be made on the tractor side of the hydraulic circuit as shown below.	REV #	1.0
		PART KIT #	Varies

Installation with External Check Valve:

Aircart Models:

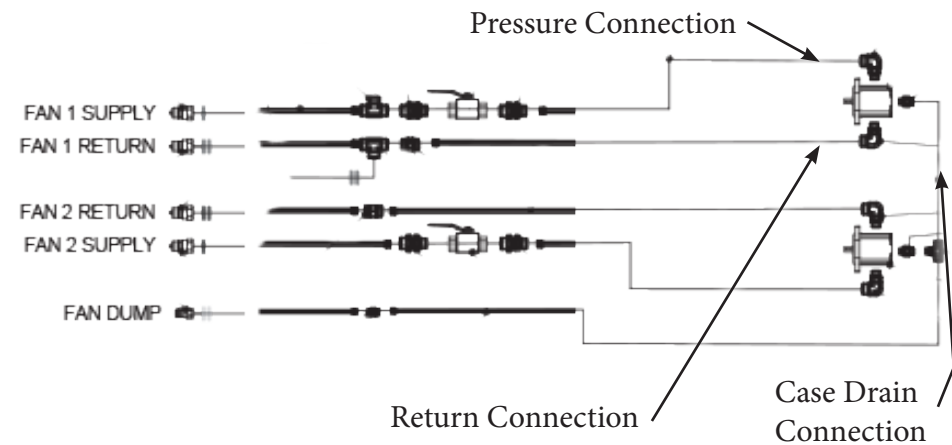
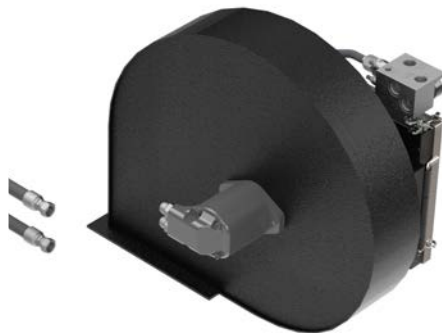
- 600
- 660icon
- 680icon
- 800
- 800icon - 2016-2019
- 980icon - 2016-2019



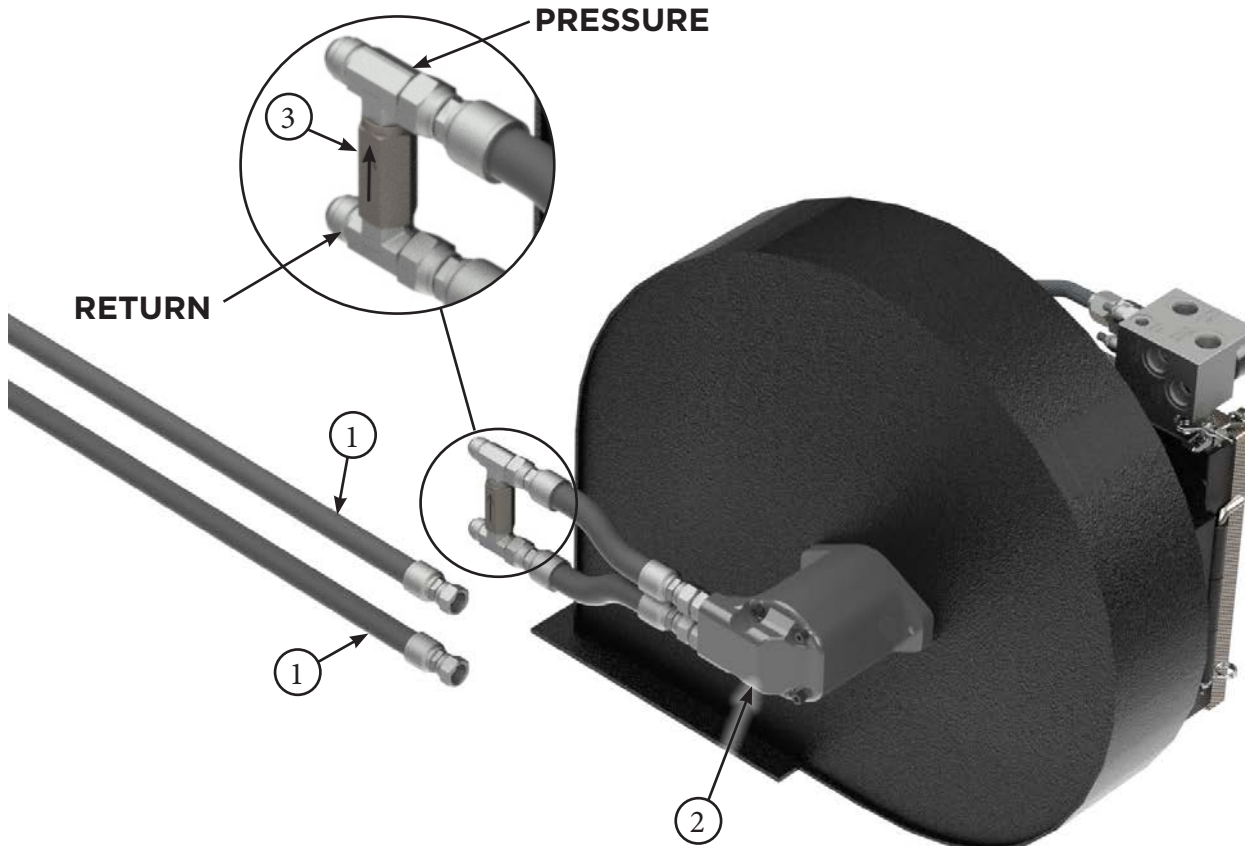
Installation with Internal Check Valve:

Aircart Models:

- 800icon - 2020-present
- 980icon - 2020-present



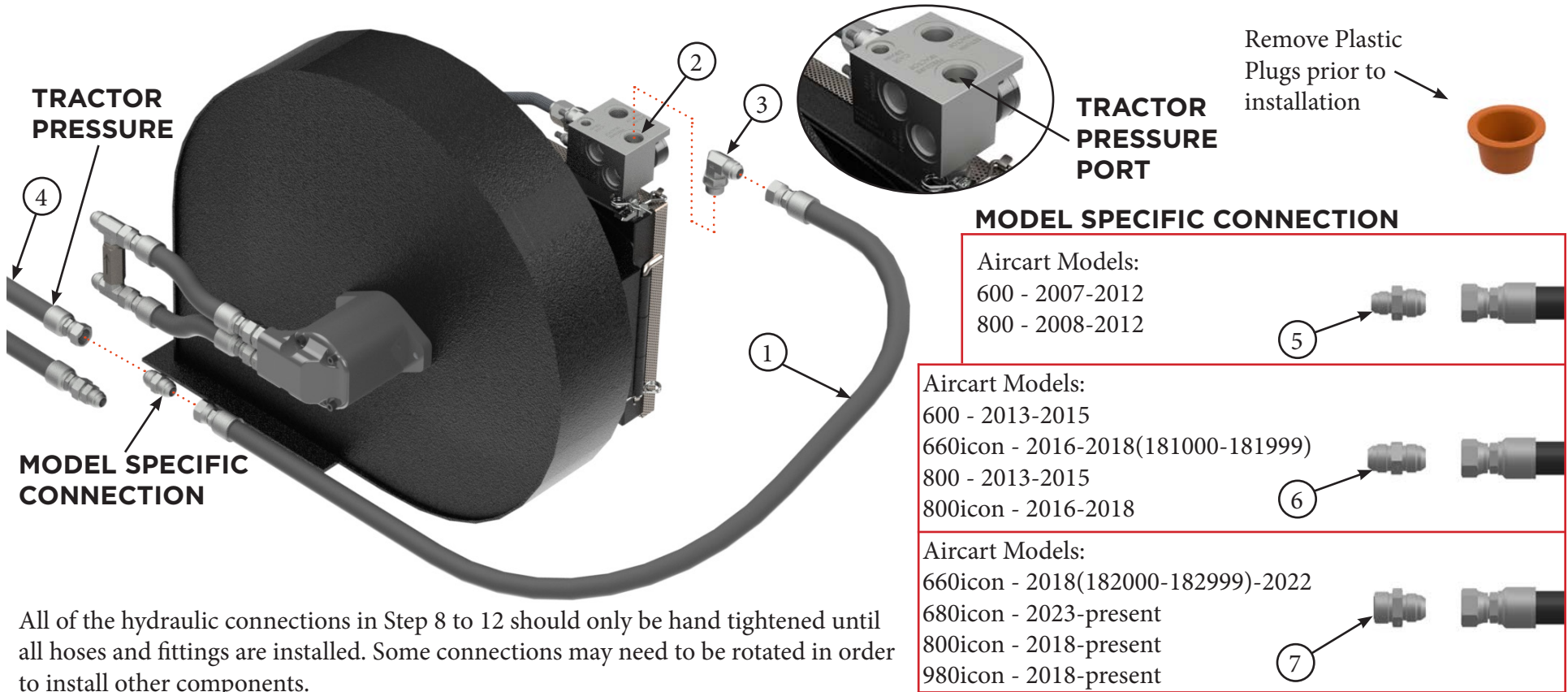
Title	Airguard Blockage Prevention System Upgrade Instructions	RELEASE DATE	2023-03-01
STEP	7. Remove factory hoses (Item 1) from side of fan motor (Item 2). Remove the hoses (Item 1) on the tractor side of the external check valve, as shown below. Identify which hose is the pressure side of the circuit. On newer models there is a shut off valve on the pressure side of the circuit. The external check valve will have a directional arrow that always points to the pressure side. If you do not have an external check valve you will attach directly to the fan motor.	REV #	1.0
		PART KIT #	Varies



PARTS LIST		
Item	Part #	Description
1	--	Existing Hose from Tractor to Fan Motor
2	--	Hydraulic Motor

PARTS LIST		
Item	Part #	Description
3	--	External Check Valve

Title	Airguard Blockage Prevention System Upgrade Instructions	RELEASE DATE	2023-03-01
STEP	8. Hoses may be routed to suit your specific aircart installation. Install supplied 3/4" hydraulic hose (Item 1) to the "TRACTOR PRESSURE" port of the radiator block (Item 2), using adapter (Item 3) to make the connection. Use model specific connection as per instructions below to attach the other end of the hose to the factory pressure line (Item 4) that was removed from the fan motor.	REV #	1.0
		PART KIT #	Varies

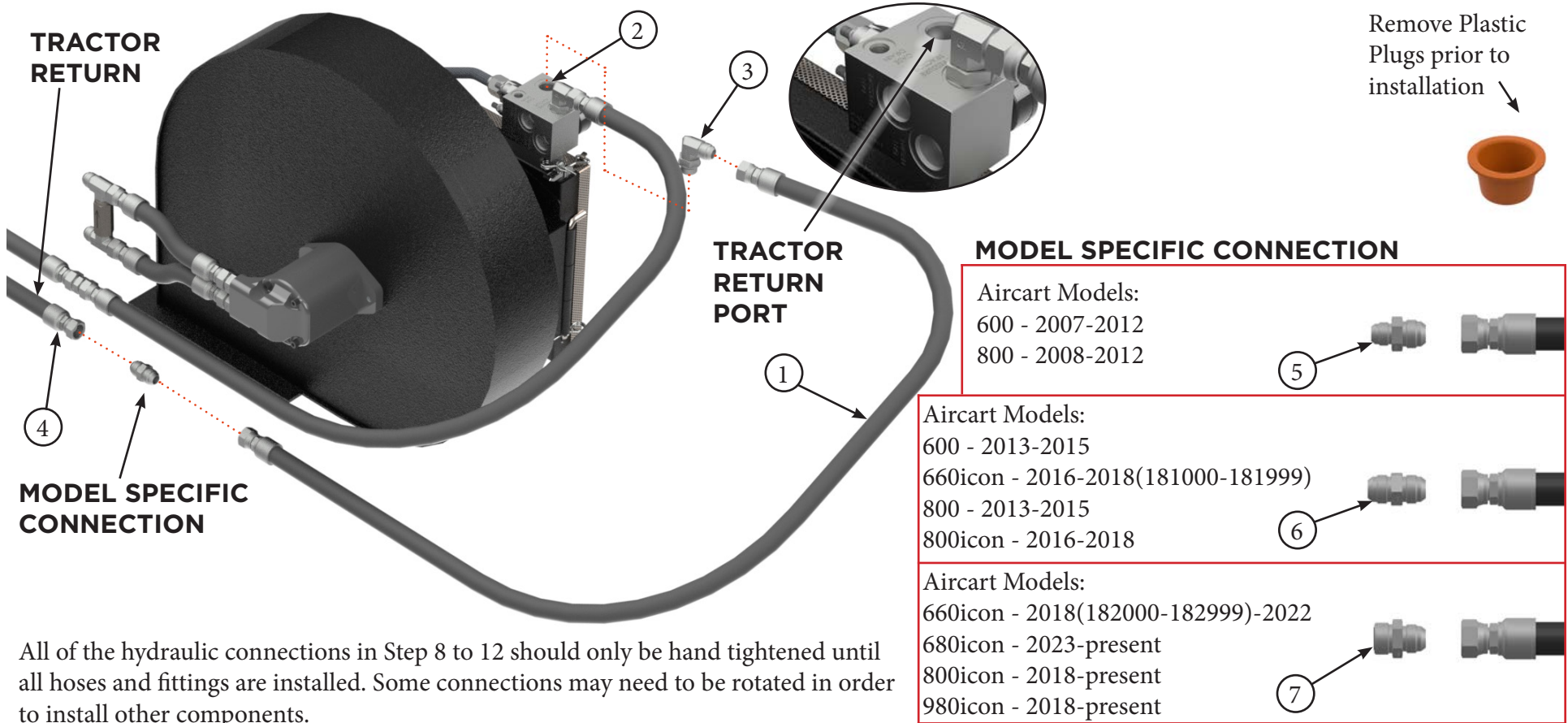


All of the hydraulic connections in Step 8 to 12 should only be hand tightened until all hoses and fittings are installed. Some connections may need to be rotated in order to install other components.

PARTS LIST		
Item	Part #	Description
1	9016	BPS 3/4" Hydraulic Hose - 60"
2	--	"TRACTOR PRESSURE" Port - BP System Manifold
3	7506	Fiting - Elbow - 3/4" JIC Male - 3/4" ORB Male
4	--	Tractor Supply (Pressure) Hydraulic Hose

PARTS LIST		
Item	Part #	Description
5	7242	Fitting - Straight - 5/8" JIC M - 3/4" JIC M
6	7538	Fitting - Straight - 3/4" JIC M - 3/4" JIC M
7	7209	Fitting - Straight - 3/4" JIC M - 3/4" ORFS M

Title	Airguard Blockage Prevention System Upgrade Instructions	RELEASE DATE	2023-03-01
STEP	9. Install supplied 3/4" hydraulic hose (Item 1) to the "TRACTOR RETURN" port of the radiator block (Item 2) using adapter (Item 3). Use model specific connection as per instructions below to attach the other end of the hose to the factory pressure line (Item 4) that was removed from the fan motor.	REV #	1.0
		PART KIT #	Varies



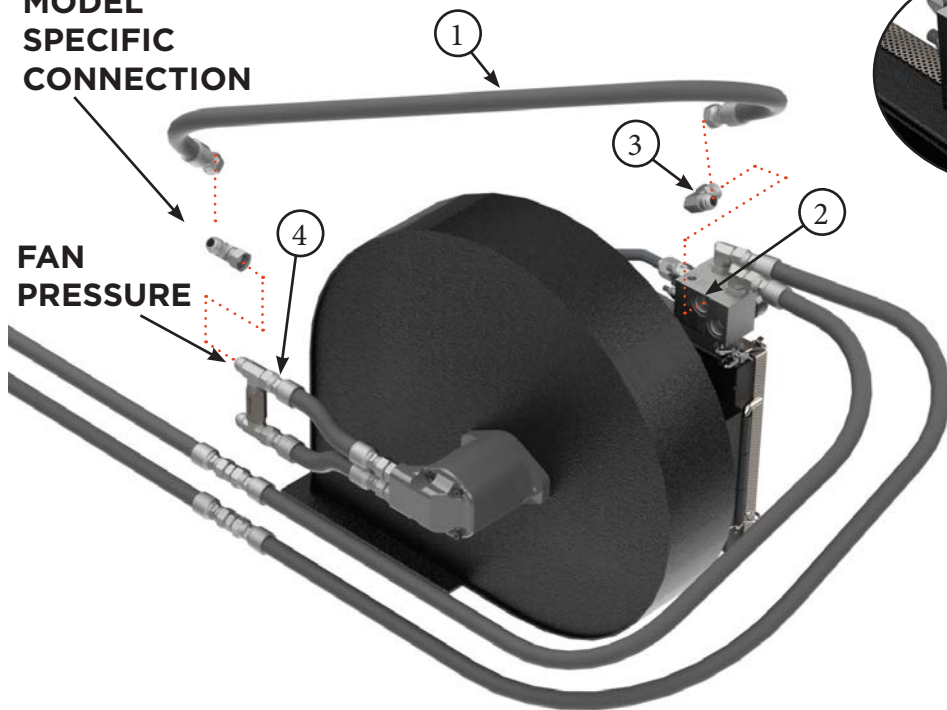
All of the hydraulic connections in Step 8 to 12 should only be hand tightened until all hoses and fittings are installed. Some connections may need to be rotated in order to install other components.

PARTS LIST		
Item	Part #	Description
1	9016	BPS 3/4" Hydraulic Hose - 60"
2	--	"TRACTOR RETURN" Port - BP System Manifold
3	7506	Fiting - Elbow - 3/4" JIC Male - 3/4" ORB Male
4	--	Tractor Return Hydraulic Hose

PARTS LIST		
Item	Part #	Description
5	7242	Fitting - Straight - 5/8" JIC M - 3/4" JIC M
6	7538	Fitting - Straight - 3/4" JIC M - 3/4" JIC M
7	7209	Fitting - Straight - 3/4" JIC M - 3/4" ORFS M

Title	Airguard Blockage Prevention System Upgrade Instructions	RELEASE DATE	2023-03-01
STEP	10. Install supplied 3/4" hydraulic hose (Item 1) to the "FAN PRESSURE" port of the radiator block (Item 2) using adapter (Item 3). Use model specific connection as per instructions below to attach the other end of the hose to the factory fan pressure line/ port (Item 4) coming from the fan motor.	REV #	1.0
		PART KIT #	Varies

MODEL SPECIFIC CONNECTION



FAN PRESSURE PORT

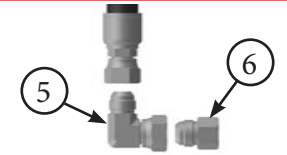
All of the hydraulic connections in Step 8 to 12 should only be hand tightened until all hoses and fittings are installed. Some connections may need to be rotated in order to install other components.

Remove Plastic Plugs prior to installation

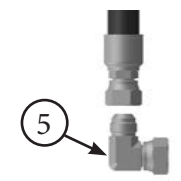


MODEL SPECIFIC CONNECTION

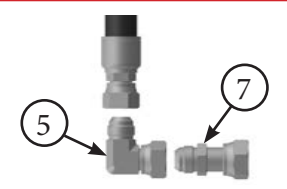
Aircart Models:
600 - 2007-2012
800 - 2008-2012



Aircart Models:
600 - 2013-2015
660icon - 2016-2018(181000-181999)
800 - 2013-2015
800icon - 2016-2018



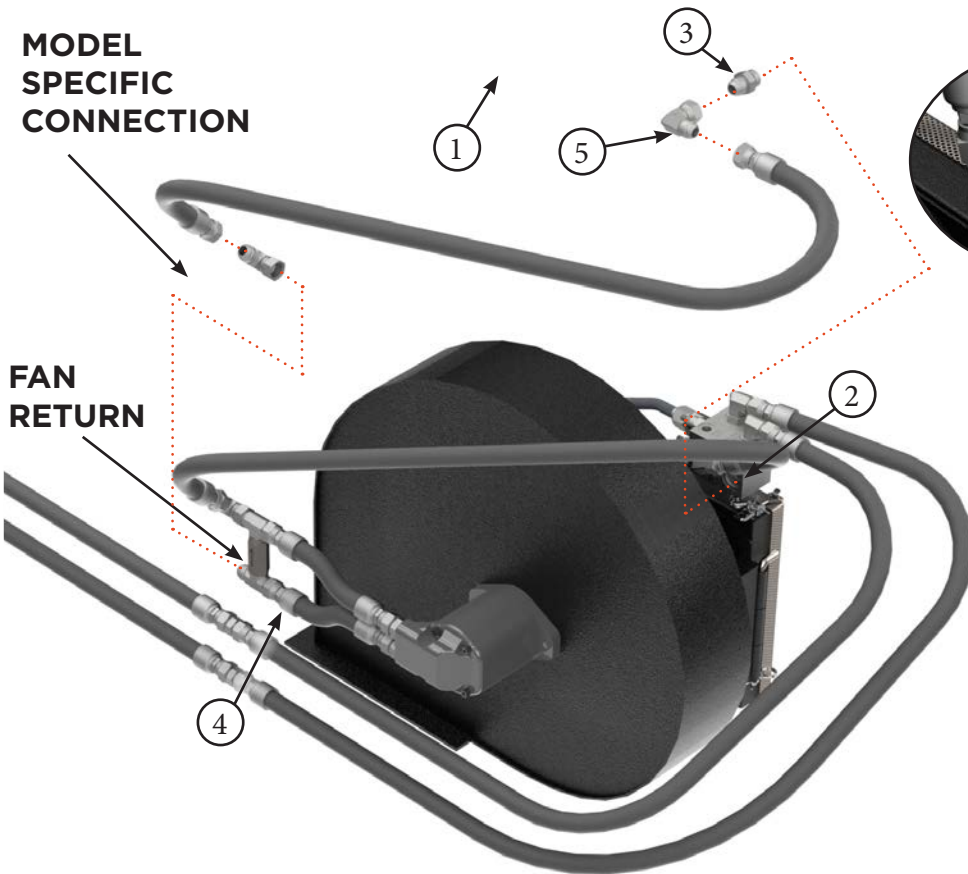
Aircart Models:
660icon - 2018(182000-182999)-2022
680icon - 2023-present
800icon - 2018-present
980icon - 2018-present



PARTS LIST		
Item	Part #	Description
1	9016	BPS 3/4" Hydraulic Hose - 60"
2	--	"FAN PRESSURE" Port - BP System Manifold
3	7506	Fiting - Elbow - 3/4" JIC Male - 3/4" ORB Male
4	--	Fan Supply (Pressure) Hydraulic Hose

PARTS LIST		
Item	Part #	Description
5	7539	Fitting - Elbow - 3/4" JIC M - 3/4" JIC F
6	7226	Fitting - Straight - 3/4" JIC M - 5/8" JIC F
7	7588	Fitting - Straight - 3/4" JIC M - 3/4" ORFS F

Title	Airguard Blockage Prevention System Upgrade Instructions	RELEASE DATE	2023-03-01
STEP	11. Install supplied 3/4" hydraulic hose (Item 1) to the "FAN RETURN" port of the radiator block (Item 2) using adapters (Item 3 & 5). Use model specific connection as per instructions below to attach the other end of the hose to the factory fan return line/port (Item 4) coming from the fan motor.	REV #	1.0
		PART KIT #	Varies



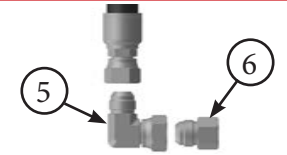
All of the hydraulic connections in Step 8 to 12 should only be hand tightened until all hoses and fittings are installed. Some connections may need to be rotated in order to install other components.

Remove Plastic Plugs prior to installation

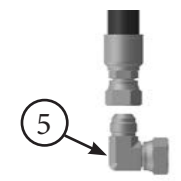


MODEL SPECIFIC CONNECTION

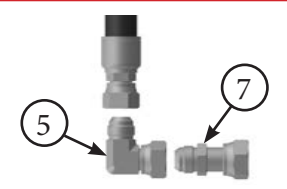
Aircart Models:
600 - 2007-2012
800 - 2008-2012



Aircart Models:
600 - 2013-2015
660icon - 2016-2018(181000-181999)
800 - 2013-2015
800icon - 2016-2018



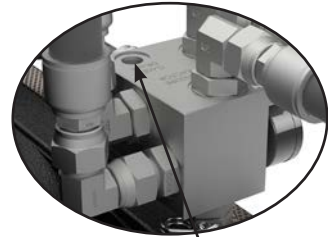
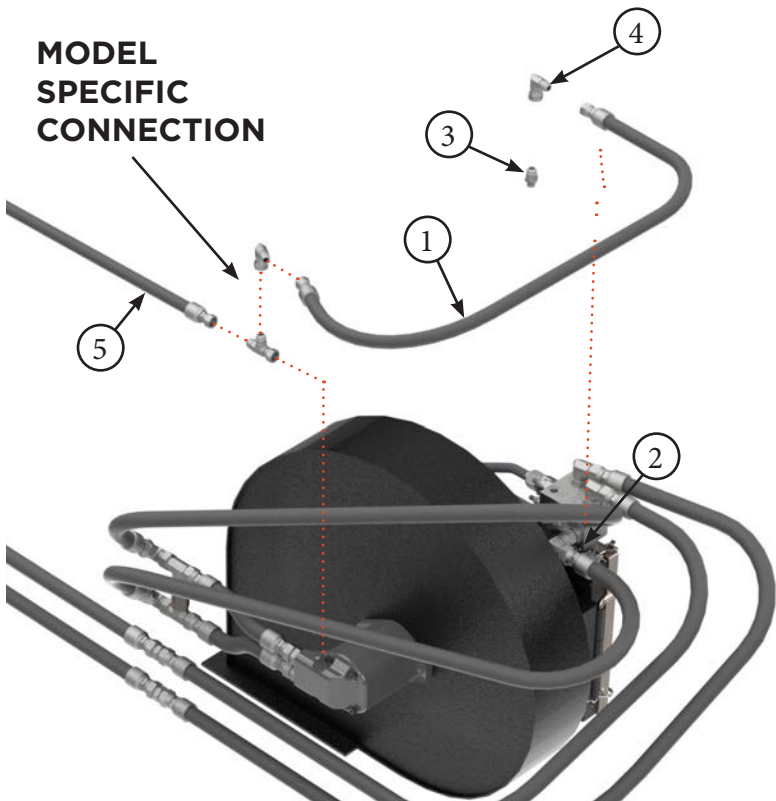
Aircart Models:
660icon - 2018(182000-182999)-2022
680icon - 2023-present
800icon - 2018-present
980icon - 2018-present



PARTS LIST		
Item	Part #	Description
1	9016	BPS 3/4" Hydraulic Hose - 60"
2	--	"FAN RETURN" Port - BP System Manifold
3	7543	Fitting - Straight - 3/4" JIC Male - 3/4" ORB Male
4	--	Fan Return Hydraulic Hose

PARTS LIST		
Item	Part #	Description
5	7539	Fitting - Elbow - 3/4" JIC M - 3/4" JIC F
6	7226	Fitting - Straight - 3/4" JIC M - 5/8" JIC F
7	7588	Fitting - Straight - 3/4" JIC M - 3/4" ORFS F

Title	Airguard Blockage Prevention System Upgrade Instructions	RELEASE DATE	2023-03-01
STEP	12. Install supplied 1/2" hydraulic hose (Item 1) to the "CASE DRAIN" port of the radiator block (Item 2) using adapters (Item 3 & 4). and to the fan motor case drain line (Item 5). Use model specific connection as per instructions below to attach the other end of the hose to the factory fan case drain line/port (Item 5) coming from the fan motor.	REV #	1.0
		PART KIT #	Varies



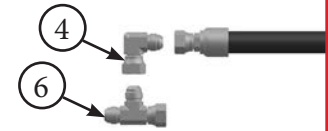
FAN CASE DRAIN PORT

All of the hydraulic connections in Step 8 to 12 should only be hand tightened until all hoses and fittings are installed. Some connections may need to be rotated in order to install other components.

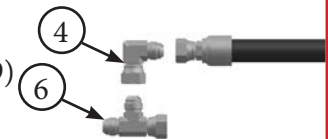
Remove Plastic Plugs prior to installation

MODEL SPECIFIC CONNECTION

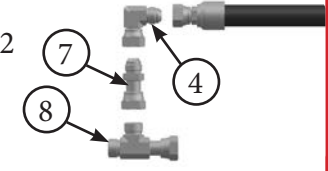
Aircart Models:
600 - 2007-2012
800 - 2008-2012



Aircart Models:
600 - 2013-2015
660icon - 2016-2018(181000-181999)
800 - 2013-2015
800icon - 2016-2018



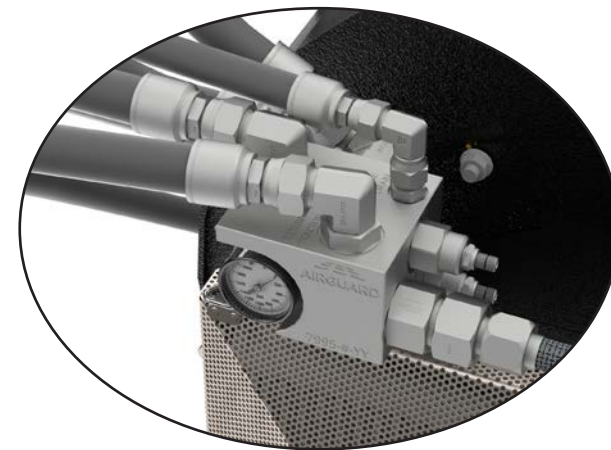
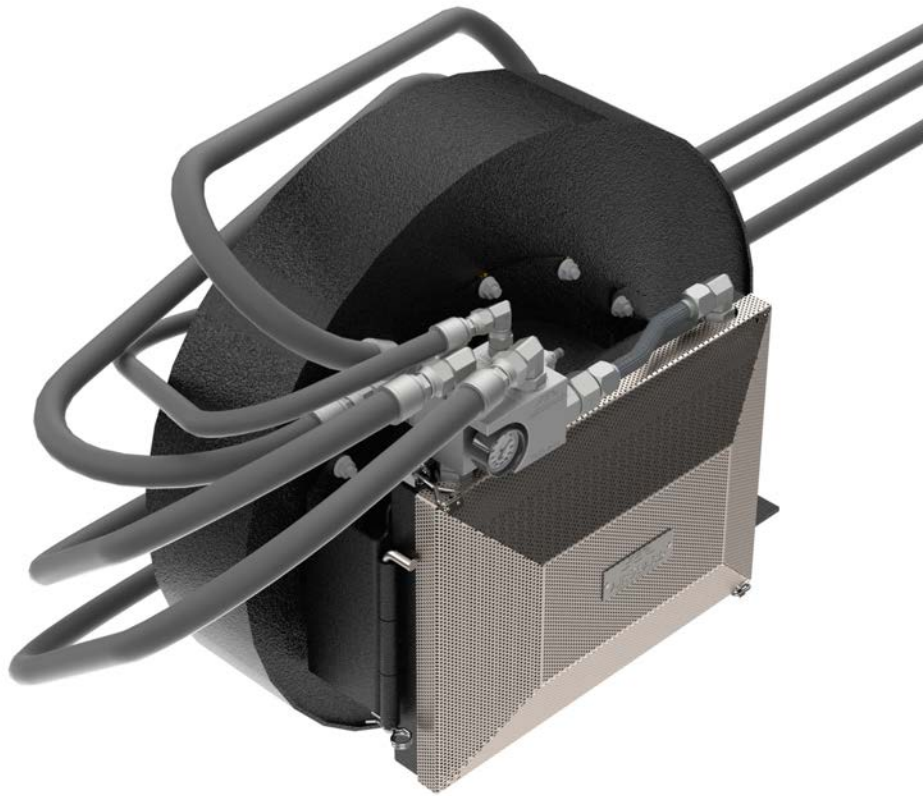
Aircart Models:
660icon - 2018(182000-182999)-2022
680icon - 2023-present
800icon - 2018-present
980icon - 2018-present



PARTS LIST		
Item	Part #	Description
1	9016	BPS 3/4" Hydraulic Hose - 60"
2	--	"FAN CASE DRAIN" Port - BP System Manifold
3	7264	Fitting - Straight - 1/2" JIC Male - 3/8" ORB Male
4	7686	Fiting - Elbow - 1/2" JIC M - 1/2" JIC F

PARTS LIST		
Item	Part #	Description
5	--	Fan Case Drain Hydraulic Hose
6	7263	Fitting - Tee - 1/2" JIC M - M - F
7	7265	Fitting - Straight - 1/2" JIC M - 1/2" ORFS F
8	7266	Fitting - Tee - 1/2" ORFS M - M - F

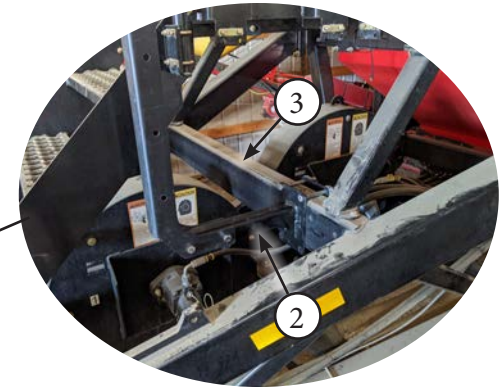
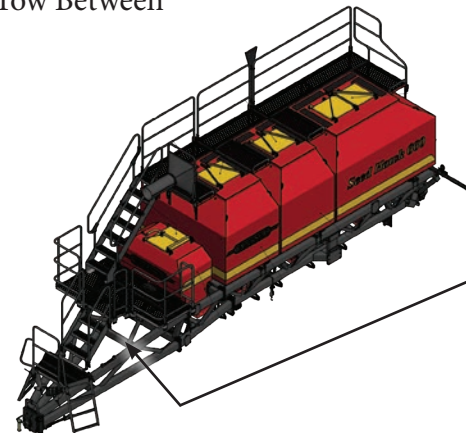
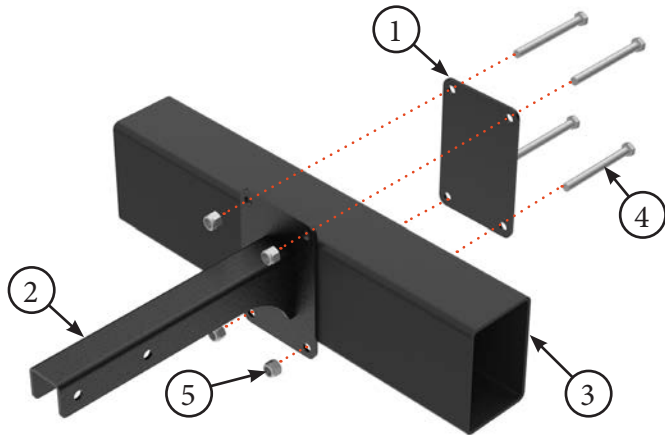
Title	Airguard Blockage Prevention System Upgrade Instructions	RELEASE DATE	2023-03-01
STEP	13. Complete the hydraulic installation by ensuring that all connections made in Step 8 to 12 are tightened. Position/Routing of hydraulic hoses may vary to suit each specific machine installation. Zip tie hoses to reduce wear and ensure tidy installation.	REV #	1.0
		PART KIT #	Varies



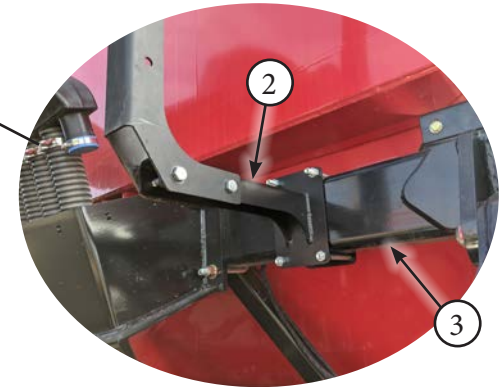
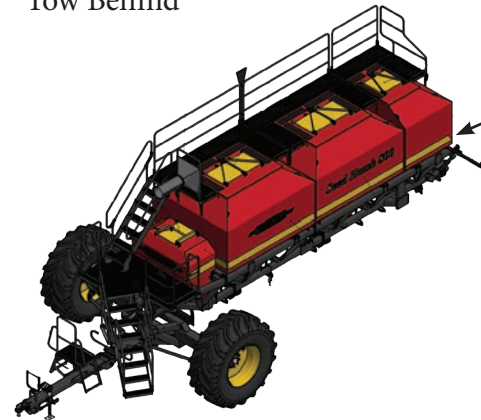
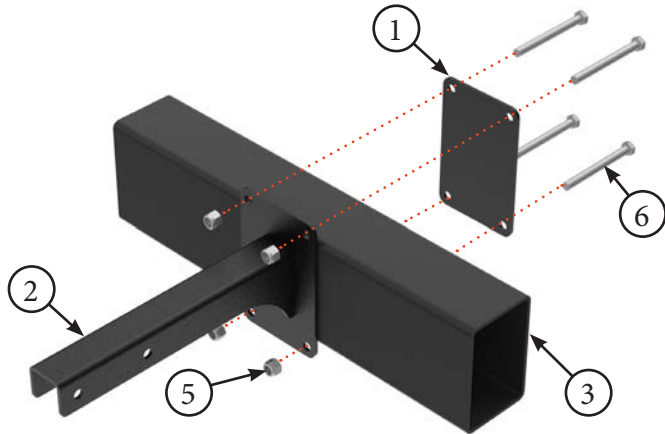
COMPLETED INSTALLATION WITH NO SNORKEL

Title	Airguard Blockage Prevention System Upgrade Instructions	RELEASE DATE	2023-03-01
STEP	14. Install the brackets (Item 1 & 2) onto Aircart HSS Frame (Item 3) using supplied hardware. Use 12mm x 130mm (Item 4) and 12mm lock nuts (Item 5) for Tow Behind Models. Use 12mm x 110mm (Item 4) and 12mm lock nuts (Item 5) for Tow Between Models.	REV #	1.0
		PART KIT #	Varies

Tow Between



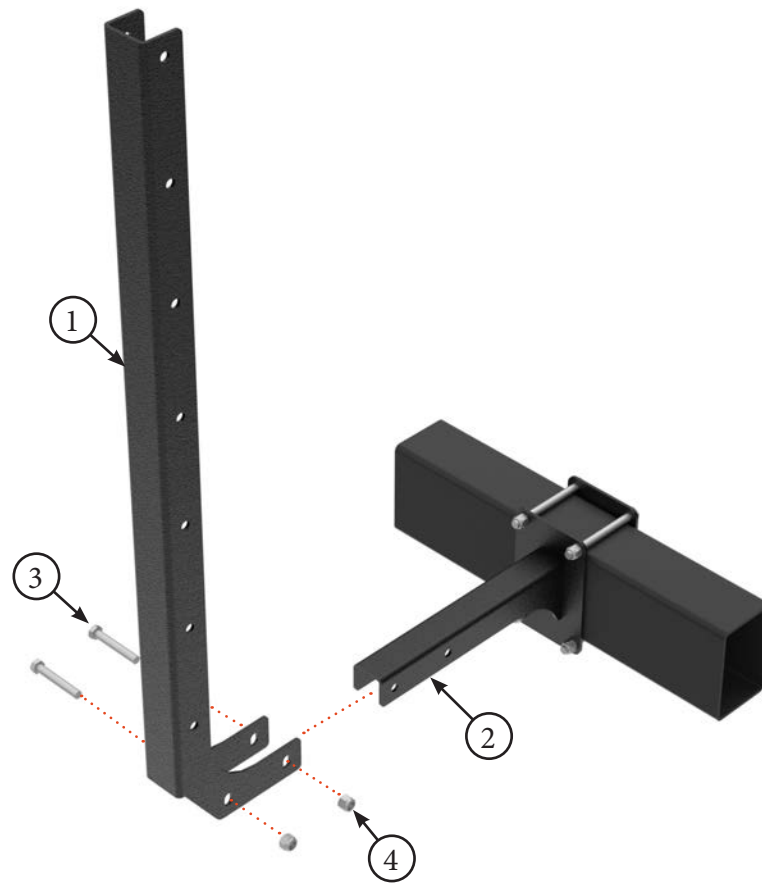
Tow Behind



PARTS LIST		
Item	Part #	Description
1	9008	Vaderstad Bracket Backing Plate
2	9009	Vaderstad 4x6 Mount Bracket
3	--	Aircart HSS Frame

PARTS LIST		
Item	Part #	Description
4	7862	Hex Bolt, 12mm x 110mm
5	7669	Lock Nut, 12mm
6	7863	Hex Bolt, 12mm x 130mm

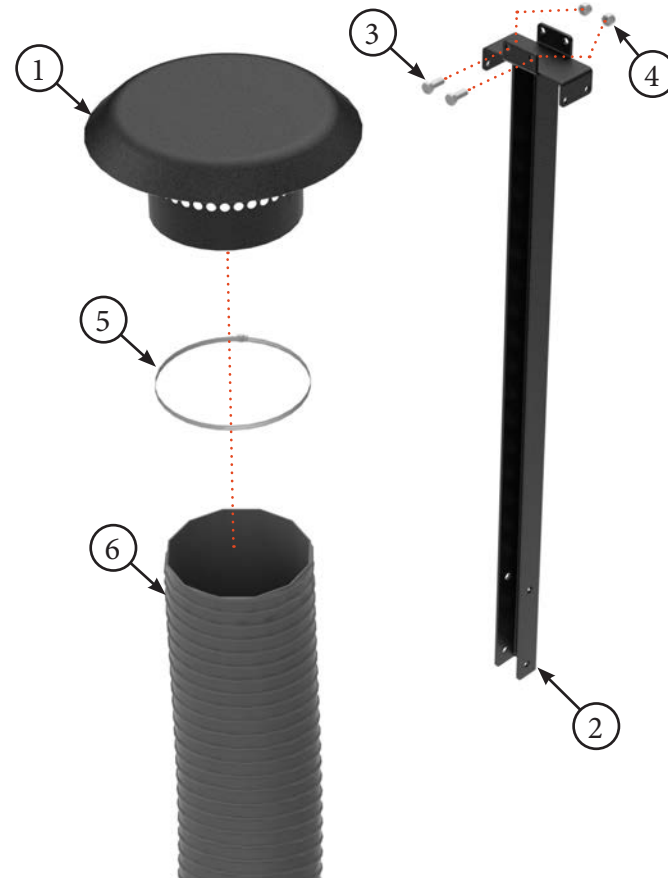
Title	Airguard Blockage Prevention System Upgrade Instructions	RELEASE DATE	2023-03-01
STEP	15. Mount outer vertical channel (Item 1) to Bracket (Item 2) using supplied 12mm x 80mm Bolts (Item 3) and 12mm lock nuts (Item 4).	REV #	1.0
		PART KIT #	Varies



PARTS LIST		
Item	Part #	Description
1	7865	Outer Vertical Channel
2	9009	Vaderstad 4x6 Mount Bracket

PARTS LIST		
Item	Part #	Description
3	7859	Hex Bolt, 12mm x 80mm
4	7669	Lock Nut, 12mm

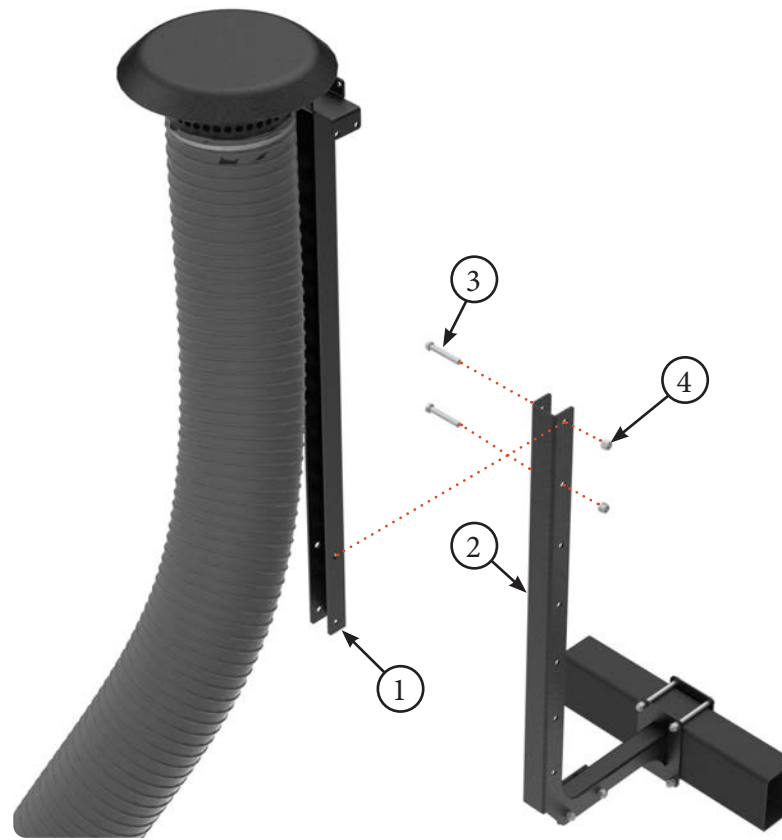
Title	Airguard Blockage Prevention System Upgrade Instructions	RELEASE DATE	2023-03-01
STEP	16. Attach air intakes (Item 1) to upper vertical channel (Item 2) using supplied 10mm x 25mm Bolts (Item 3) and 10mm lock nuts (Item 4). A maximum of 4 intakes can be mounted. Use bridge clamp (Item 5) to attach 8" flex hose (Item 6) to air intake (Item 1).	REV #	1.0
		PART KIT #	Varies



PARTS LIST		
Item	Part #	Description
1	7576	Air Intake Bracket
2	7868	Upper Vertical Channel
3	7515	Hex Bolt, 10mm x 25mm

PARTS LIST		
Item	Part #	Description
4	7516	Lock Nut, 10mm
5	7578	Bridge Clamp, 8"
6	7572	Flexible Snorkel Hose - 8"

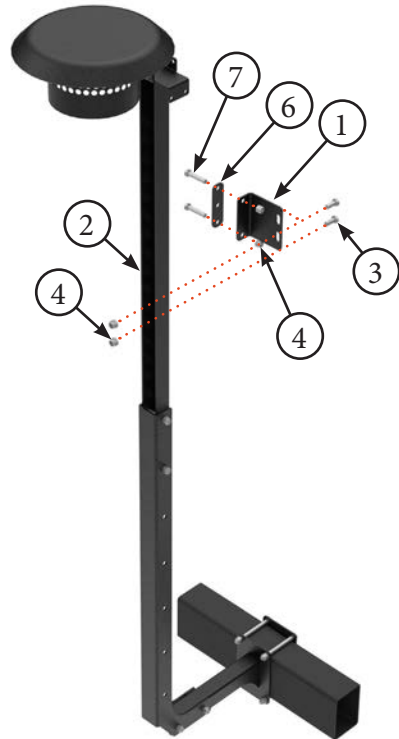
Title	Airguard Blockage Prevention System Upgrade Instructions	RELEASE DATE	2023-03-01
STEP	17. Determine desired height of air intakes and secure upper vertical channel (Item 1) to lower vertical channel (Item 2) at that location. Use supplied 12mm x 80mm Bolts (Item 3) and 12mm lock nuts (Item 4).	REV #	1.0
		PART KIT #	Varies



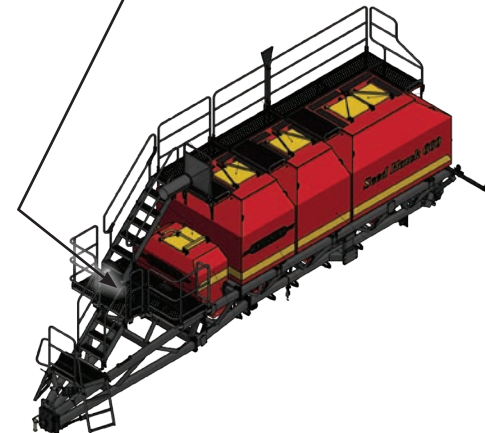
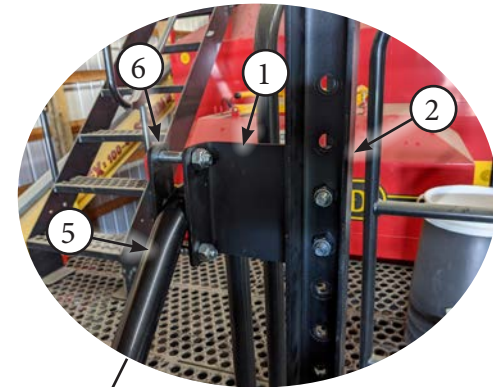
PARTS LIST		
Item	Part #	Description
1	7868	Upper Vertical Channel
2	7865	Outer Vertical Channel

PARTS LIST		
Item	Part #	Description
3	7859	Hex Bolt, 12mm x 80mm
4	7669	Lock Nut, 12mm

Title	Airguard Blockage Prevention System Upgrade Instructions	RELEASE DATE	2023-03-01
STEP	18. For Tow Between models, mount stabilizer bracket (Item 1) to upper vertical channel (Item 2) using supplied 12mm x 30mm Bolts (Item 3) and 12mm lock nuts (Item 4). Attach stabilizer bracket (Item 1) to catwalk railing (Item 5) using backing plate (Item 6) and supplied 12mm x 60mm Bolts (Item 7) and 12mm lock nuts (Item 4).	REV #	1.0
		PART KIT #	Varies



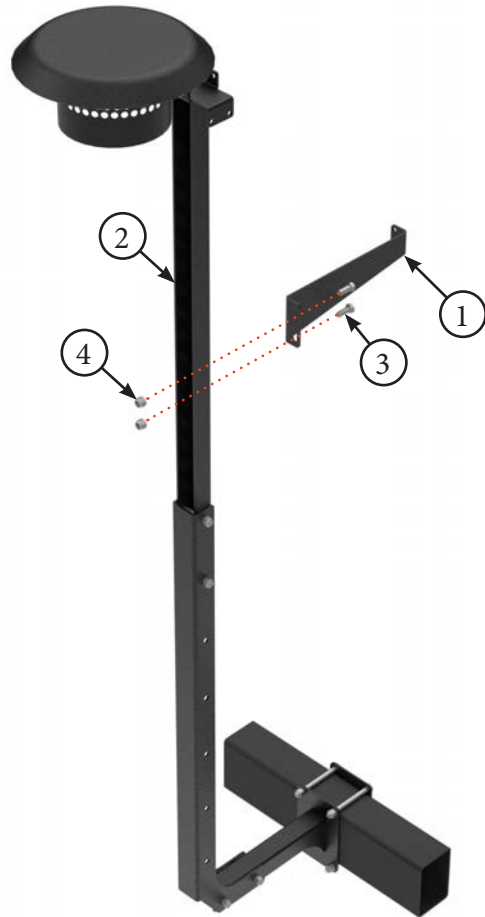
STABILIZER BRACKET
INSTALLATION FOR
TOW BETWEEN MODELS



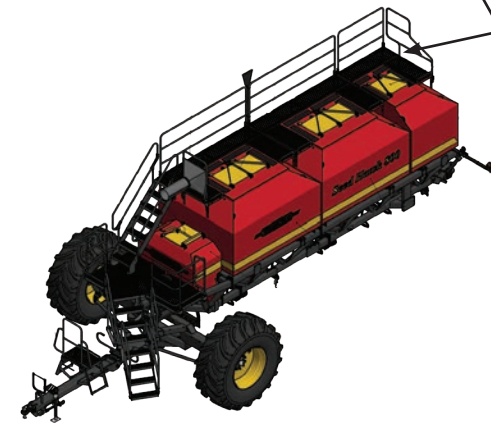
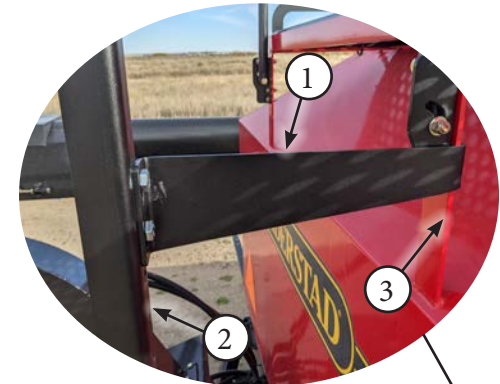
PARTS LIST		
Item	Part #	Description
1	9029	Stabilizer Bracket - Tow Between Models
2	7868	Upper Vertical Channel
3	7861	Hex Bolt, 12mm x 30mm
4	7669	Lock Nut, 12mm

PARTS LIST		
Item	Part #	Description
5	--	Catwalk Railing
6	7959	Backing Plate
7	7961	Hex Bolt, 12mm x 60mm

Title	Airguard Blockage Prevention System Upgrade Instructions	RELEASE DATE	2023-03-01
STEP	19. For Tow Behind models, mount stabilizer bracket (Item 1) to upper vertical channel (Item 2) and catwalk support (Item 3) using supplied 12mm x 30mm Bolts (Item 4) and lock nuts (Item 5).	REV #	1.0
		PART KIT #	Varies



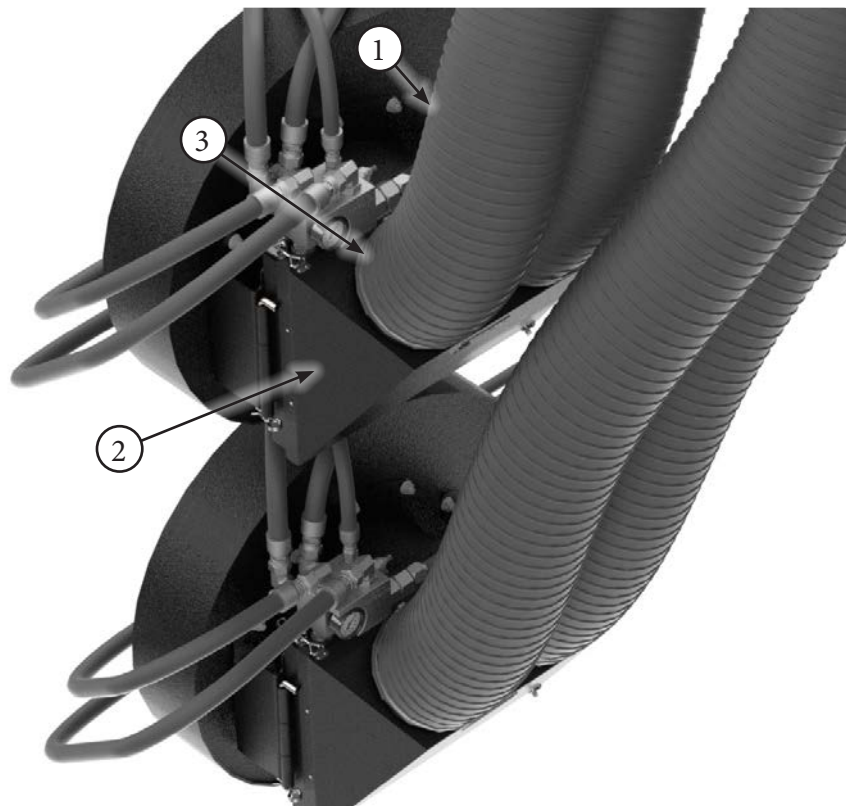
STABILIZER BRACKET
INSTALLATION FOR
TOW BEHIND MODELS



PARTS LIST		
Item	Part #	Description
1	9013	Stabilizer Bracket - Tow Behind Models
2	7868	Upper Vertical Channel
3	--	Catwalk Support

PARTS LIST		
Item	Part #	Description
4	7861	Hex Bolt, 12mm x 30mm
5	7669	Lock Nut, 12mm

Title	Airguard Blockage Prevention System Upgrade Instructions	RELEASE DATE	2023-03-01
STEP	20. Attach 8” flex hose (Item 1) to snorkel housing (Item 2) using bridge clamp (Item 3). Zip tie 8” flex hoses to reduce wear and ensure tidy installation.	REV #	1.0
		PART KIT #	Varies

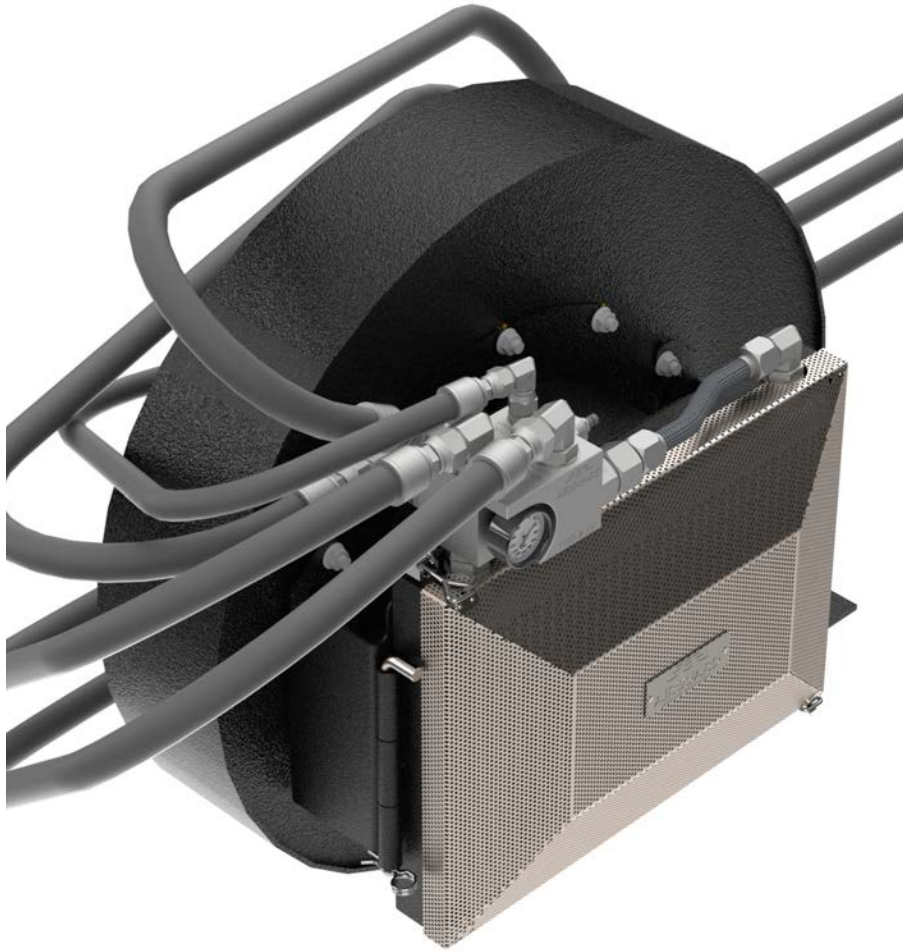


PARTS LIST		
Item	Part #	Description
1	7977	Snorkel Housing
2	7578	Bridge Clamp, 8”

PARTS LIST		
Item	Part #	Description
3	7572	Flexible Snorkel Hose - 8”

Title	Airguard Blockage Prevention System Upgrade Instructions	RELEASE DATE	2023-03-01
STEP	Installation is Completed. Ensure all hydraulic connections and bolts are tightened.	REV #	1.0
		PART KIT #	Varies

COMPLETED INSTALLATION WITH NO SNORKEL



COMPLETED INSTALLATION WITH SNORKELS

