

PART KIT INSTALL INSTRUCTIONS

Salford Aircarts

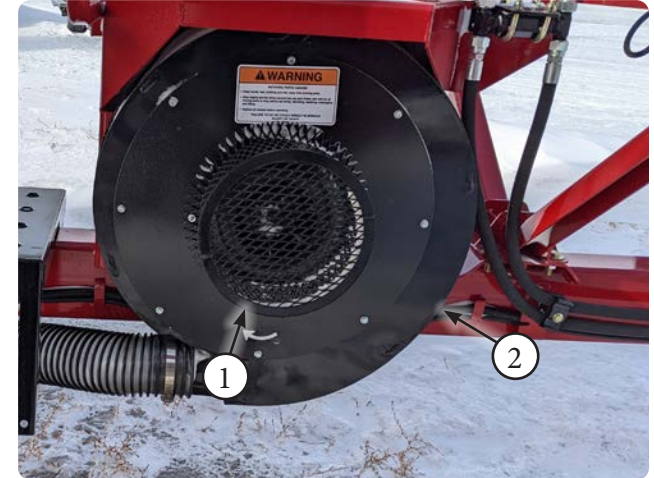
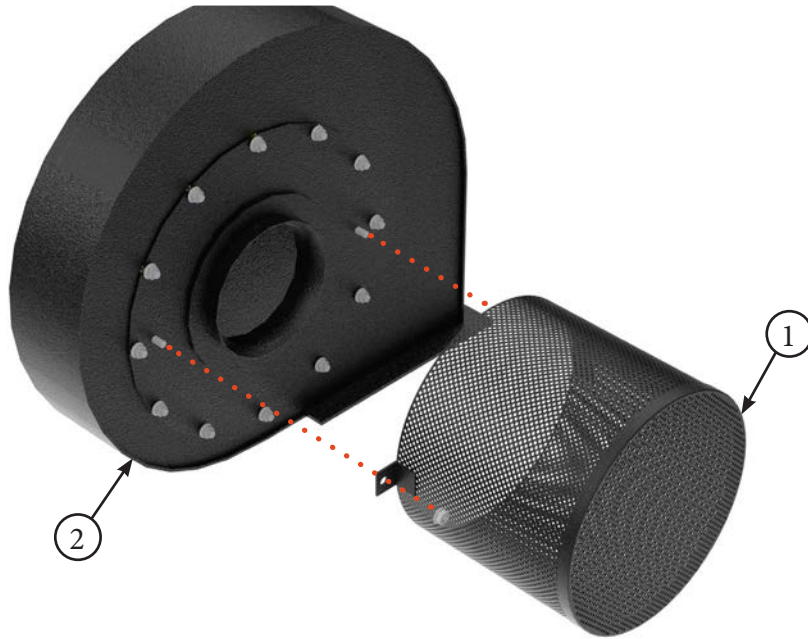
Part Kit #VARIES - Rev 1.0 - AIRGUARD - Blockage Prevention System

Release Date: 2023-03-01




AIRGUARD
SEEDING PRECISION

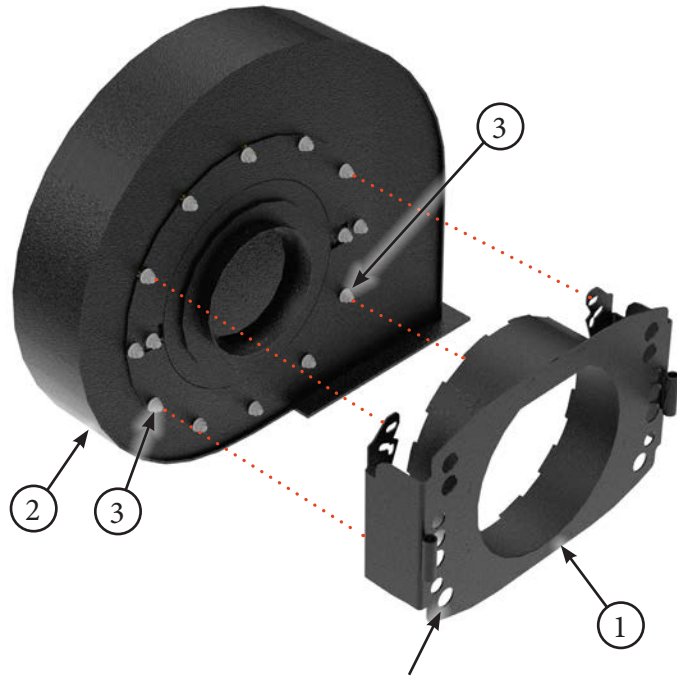
Title	Airguard Blockage Prevention System Upgrade Instructions	RELEASE DATE	2023-03-01
STEP	1. Remove existing fan screen (Item 1) from the fan housing (Item 2).	REV #	1.0
		PART KIT #	Varies



PARTS LIST		
Item	Part #	Description
1	--	Fan Screen

PARTS LIST		
Item	Part #	Description
2	--	Fan Housing

Title	Airguard Blockage Prevention System Upgrade Instructions	RELEASE DATE	2023-03-01
STEP	2. Install supplied mounting bracket (Item 1) to fan housing (Item 2) using existing bolts and nuts (Item 3). Angle mount bracket in a position that ensures the supplied hydraulic hoses reach the fan motor. Additional holes in bracket face (Item 4) are for easy access with an impact driver. Bracket may look different than shown below.	REV #	1.0
		PART KIT #	Varies



Additional holes in bracket face are for easy access with an impact driver.

Use Kit # 9520 for the following Models:

- AC1000
- AC2000
- 3605
- 8600/8700 Floater
- 9620 Floater



Use Kit # 9600 for the following Models:

- AC3000

Use Kit # 9030 for the following Models:

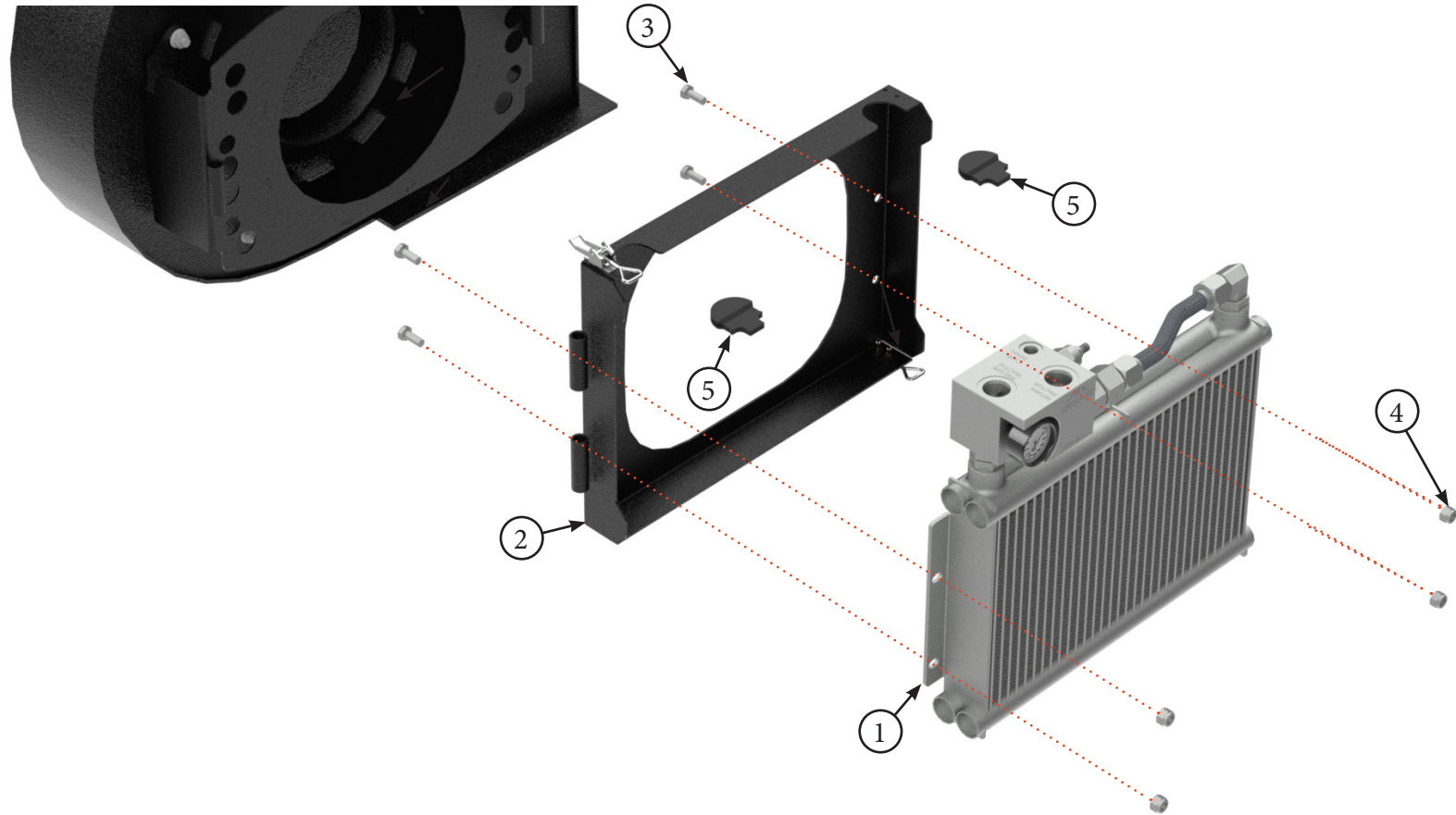
- 246
- 6056



PARTS LIST		
Item	Part #	Description
1	7554 /or/ 9033	9520 Bracket /or/ 9030 Bracket
2	--	Fan Housing

PARTS LIST		
Item	Part #	Description
3	--	Existing Hardware

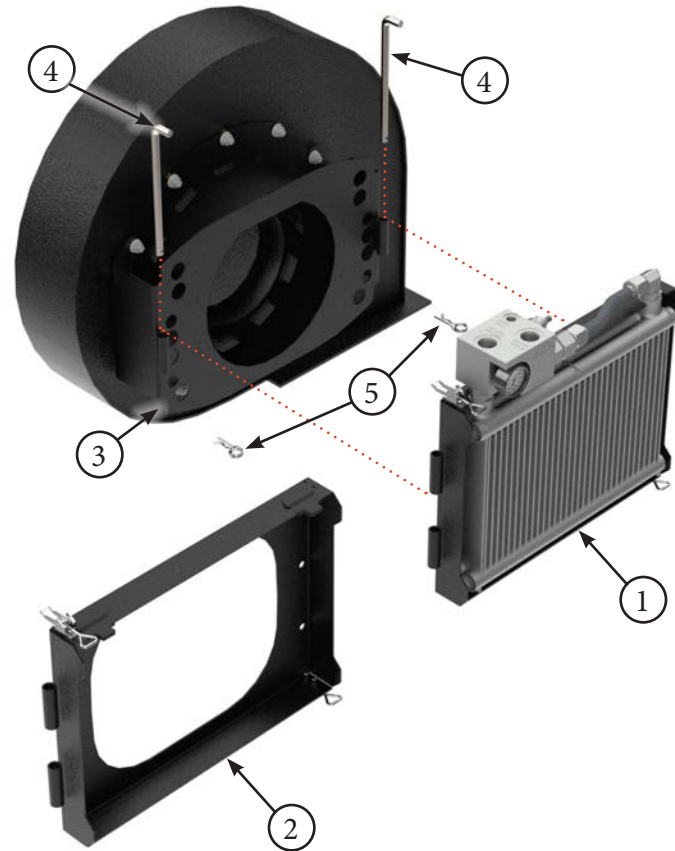
Title	Airguard Blockage Prevention System Upgrade Instructions	RELEASE DATE	2023-03-01
STEP	3. Bolt Oil Cooler/Radiator Assembly (Item 1) to BP System Bracket (Item 2) using supplied 10mm x 25mm Bolts (Item 3) and 10mm lock nuts (Item 4). If only installing snorkel kit without Radiator, then install plastic plugs (Item 5) onto BP Sytem Bracket (Item 2). This step of the installation may already be completed at the Airguard factory prior to shipping.	REV #	1.0
		PART KIT #	Varies



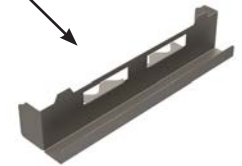
PARTS LIST		
Item	Part #	Description
1	7996	Oil Cooler and Manifold Assembly
2	7546	Main BP System Bracket
3	7515	Hex Bolt, 10mm x 25mm Grade 8.8

PARTS LIST		
Item	Part #	Description
4	7516	Lock Nut, 10mm Grade 8.8
5	7683	BP System Bracket Plug

Title	Airguard Blockage Prevention System Upgrade Instructions	RELEASE DATE	2023-03-01
STEP	4. Remove the packaging materials prior to the assembly of these brackets. Mount BP System Main Bracket with Oil Cooler (Item 1) or Main Bracket with Plugs (Item 2) to Fan bracket (Item 3) using supplied pivot pins (Item 4). Secure in place with 3.5mm cotter pins (Item 5).	REV #	1.0
		PART KIT #	Varies



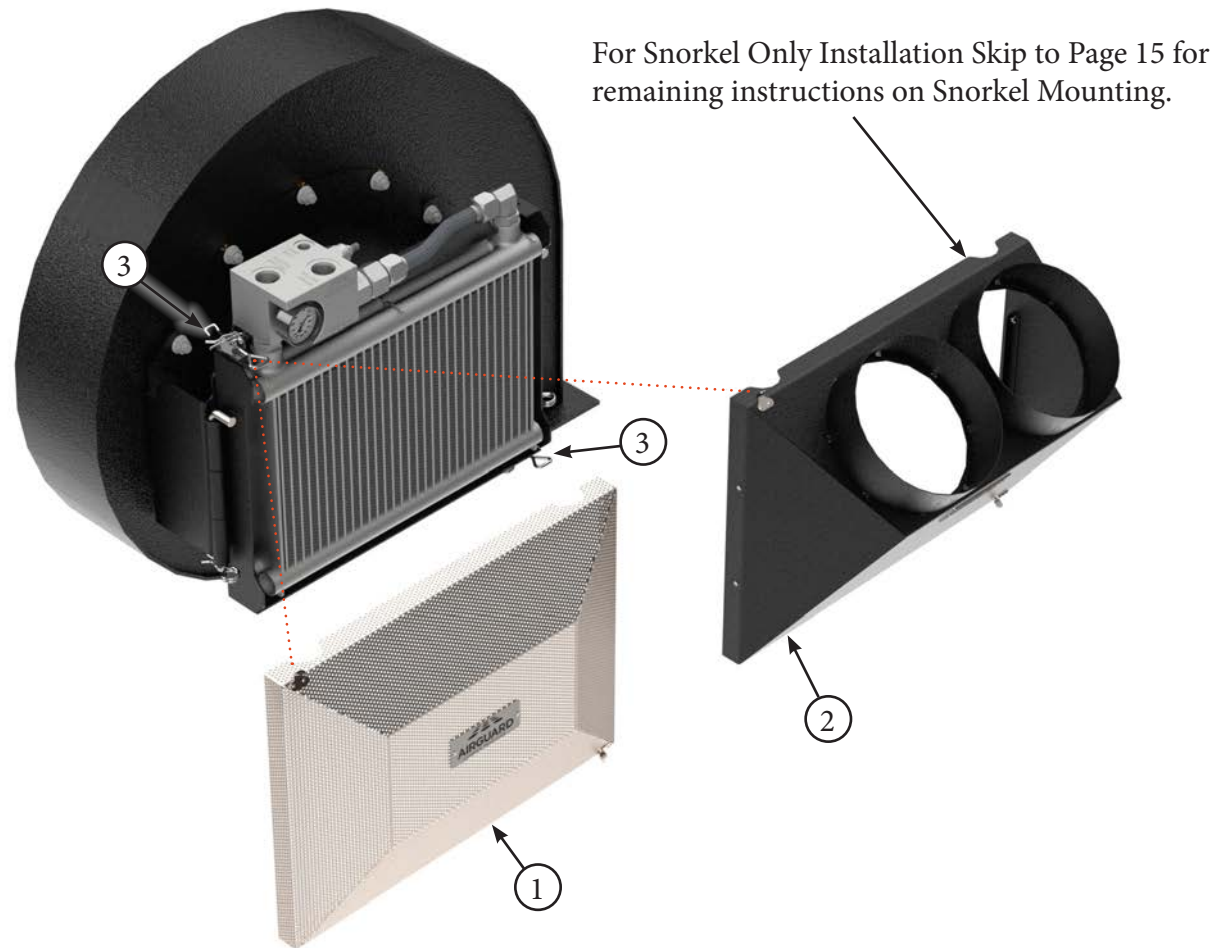
Remove Packaging material and discard, prior to install.



PARTS LIST		
Item	Part #	Description
1	--	BP System Main Bracket with Oil Cooler
2	--	BP System Main Bracket with Plugs for Snorkel Only Install
3	--	Fan Bracket

PARTS LIST		
Item	Part #	Description
4	7502	Pivot Pin For BP Systems
5	7513	3.5mm Cotter Pin

Title	Airguard Blockage Prevention System Upgrade Instructions	RELEASE DATE	2023-03-01
STEP	5. Attach Mesh Screen (Item 1) or Snorkel Housing (Item 2) to front of BPS using latches (Item 3).	REV #	1.0
		PART KIT #	Varies

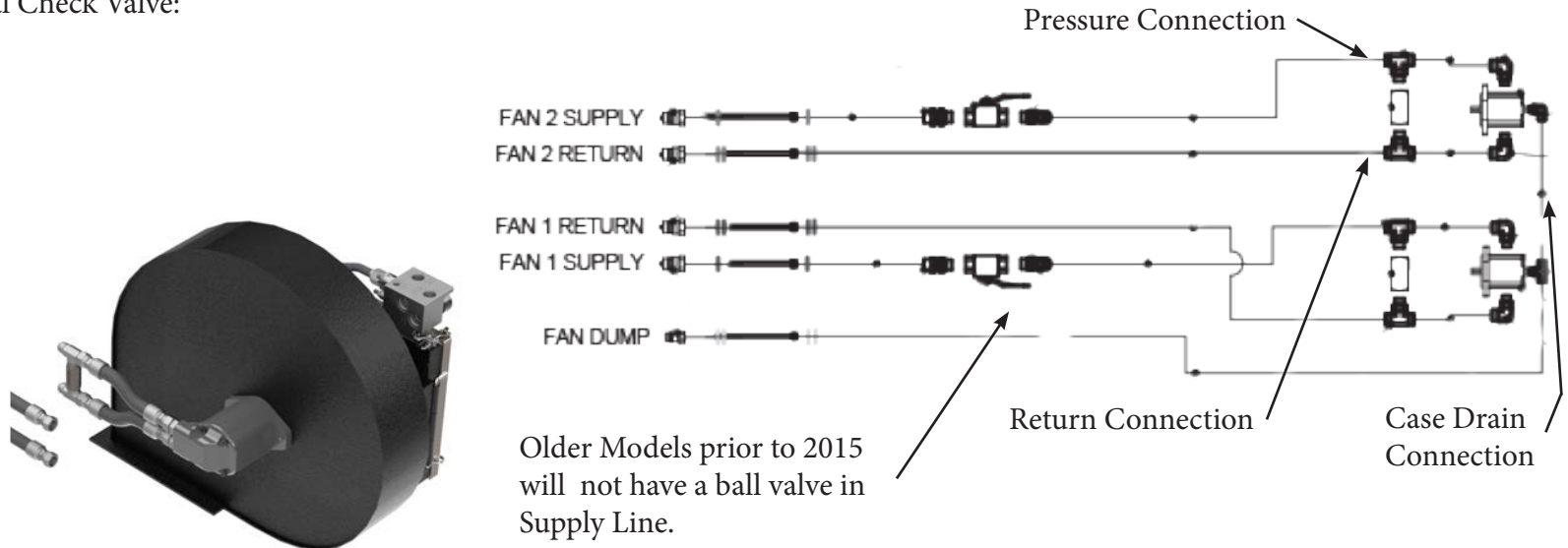


PARTS LIST		
Item	Part #	Description
1	7568	Mesh Screen
2	7977	Snorkel Housing

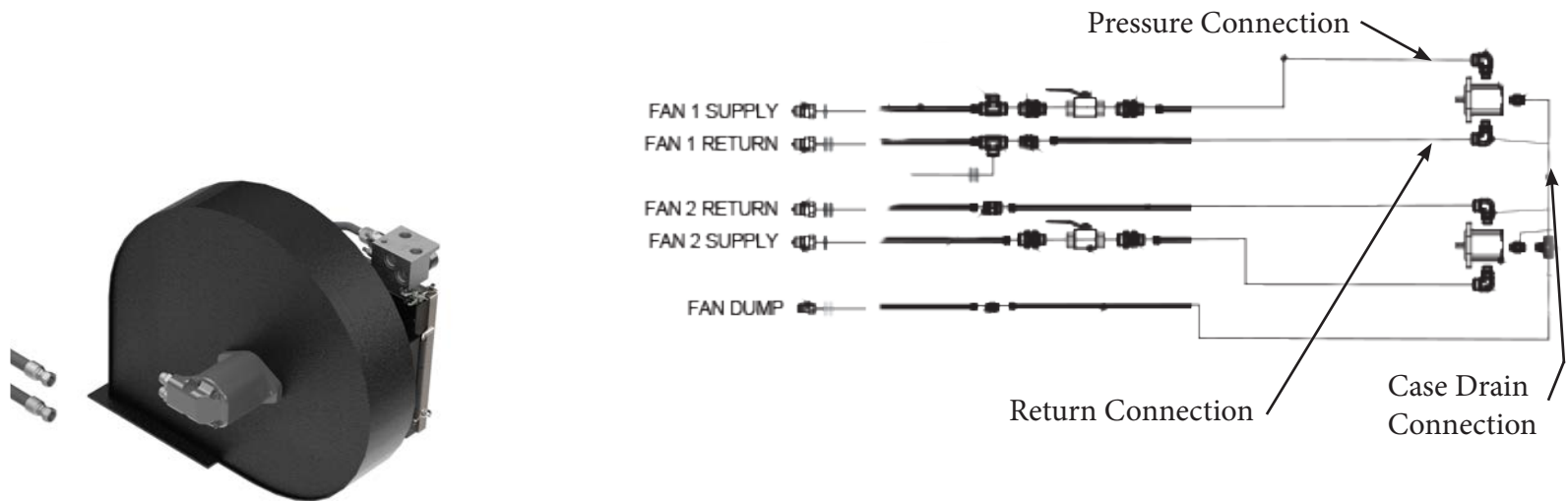
PARTS LIST		
Item	Part #	Description
3	--	Overcenter Latch

Title	Airguard Blockage Prevention System Upgrade Instructions	RELEASE DATE	2023-03-01
STEP	6. Identify the model of aircart that the Airguard Blockage Prevention System is being installed on. For models with external check valves, the connections must be made on the tractor side of the hydraulic circuit as shown below.	REV #	1.0
		PART KIT #	Varies

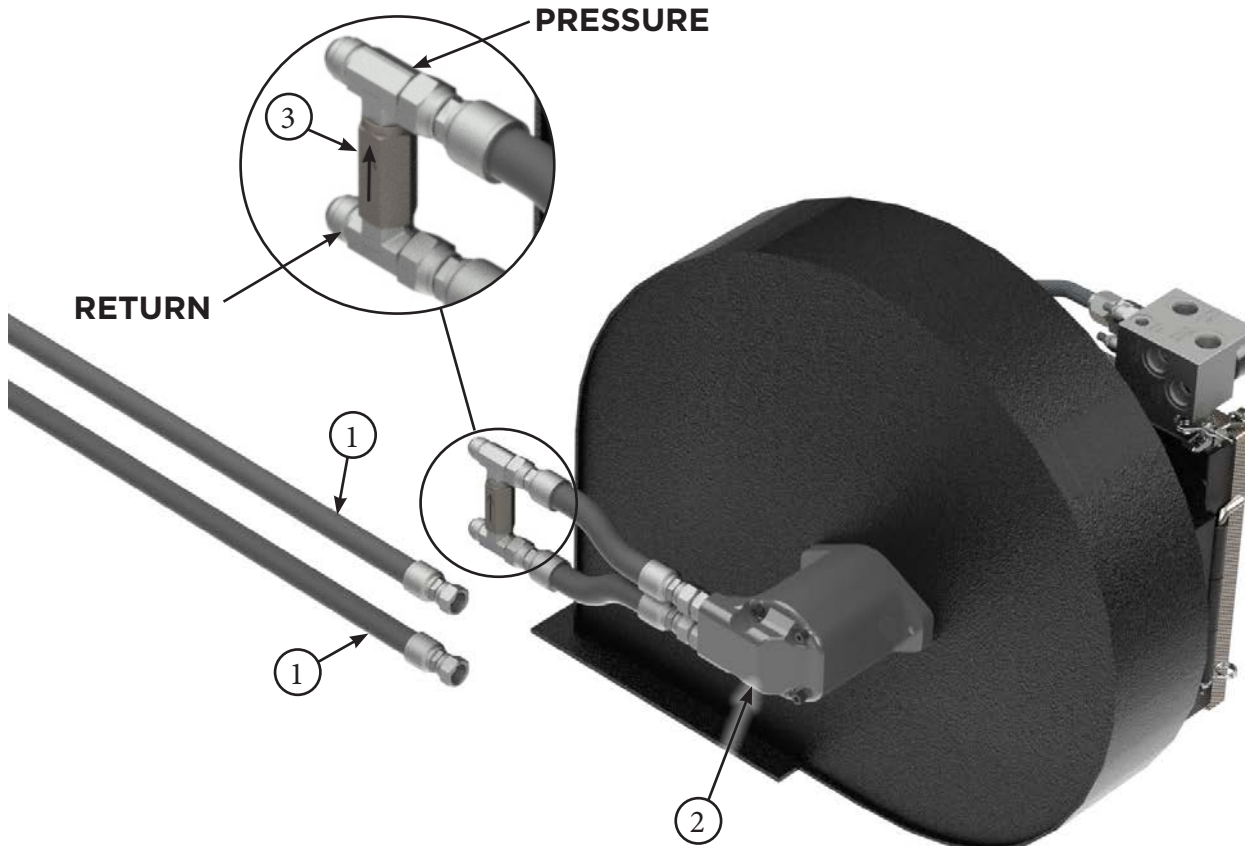
Installation with External Check Valve:



Installation with Internal Check Valve:



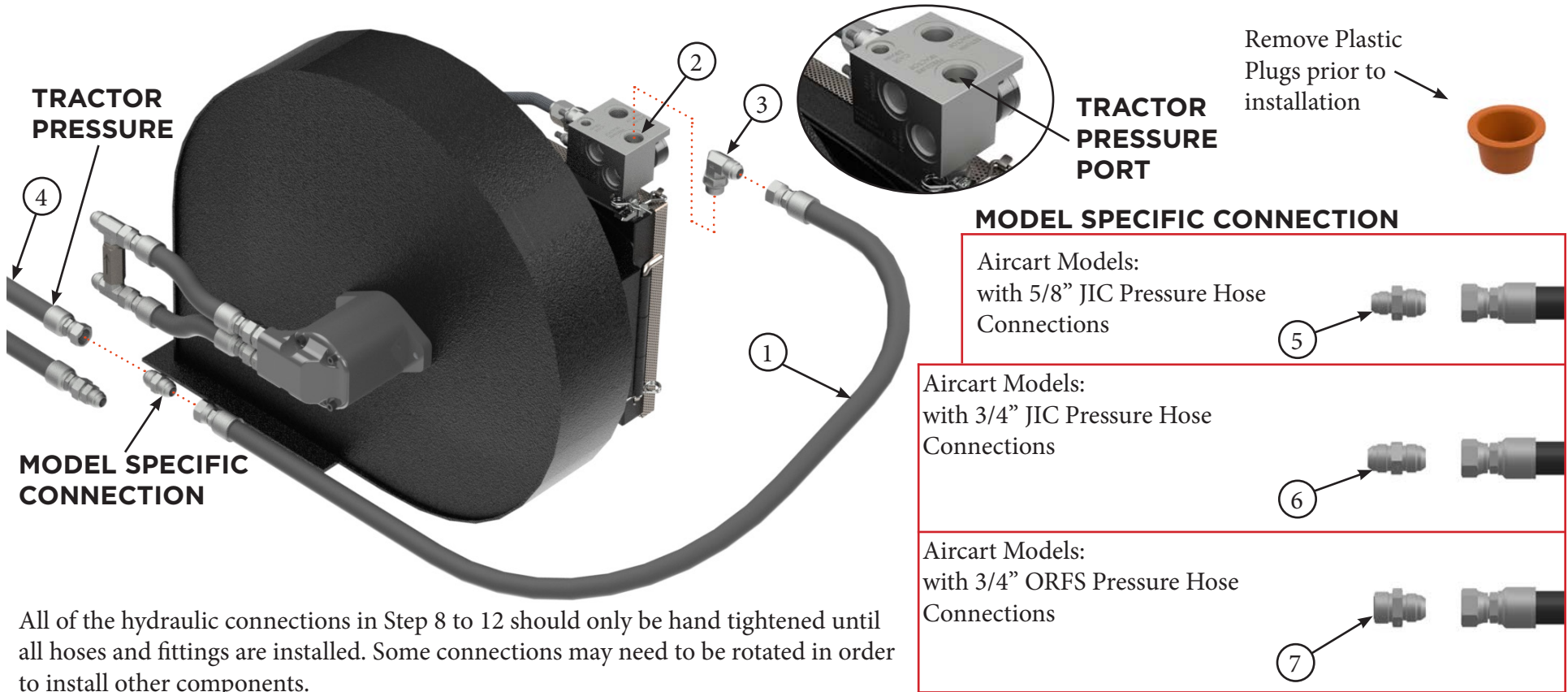
Title	Airguard Blockage Prevention System Upgrade Instructions	RELEASE DATE	2023-03-01
STEP	7. Remove factory hoses (Item 1) from side of fan motor (Item 2). Remove the hoses (Item 1) on the tractor side of the external check valve, as shown below. Identify which hose is the pressure side of the circuit. On newer models there is a shut off valve on the pressure side of the circuit. The external check valve will have a directional arrow that always points to the pressure side. If you do not have an external check valve you will attach directly to the fan motor.	REV #	1.0
		PART KIT #	Varies



PARTS LIST		
Item	Part #	Description
1	--	Existing Hose from Tractor to Fan Motor
2	--	Hydraulic Motor

PARTS LIST		
Item	Part #	Description
3	--	External Check Valve

Title	Airguard Blockage Prevention System Upgrade Instructions	RELEASE DATE	2023-03-01
STEP	8. Hoses may be routed to suit your specific aircart installation. Install supplied 3/4" hydraulic hose (Item 1) to the "TRACTOR PRESSURE" port of the radiator block (Item 2), using adapter (Item 3) to make the connection. Use model specific connection as per instructions below to attach the other end of the hose to the factory pressure line (Item 4) that was removed from the fan motor.	REV #	1.0
		PART KIT #	Varies

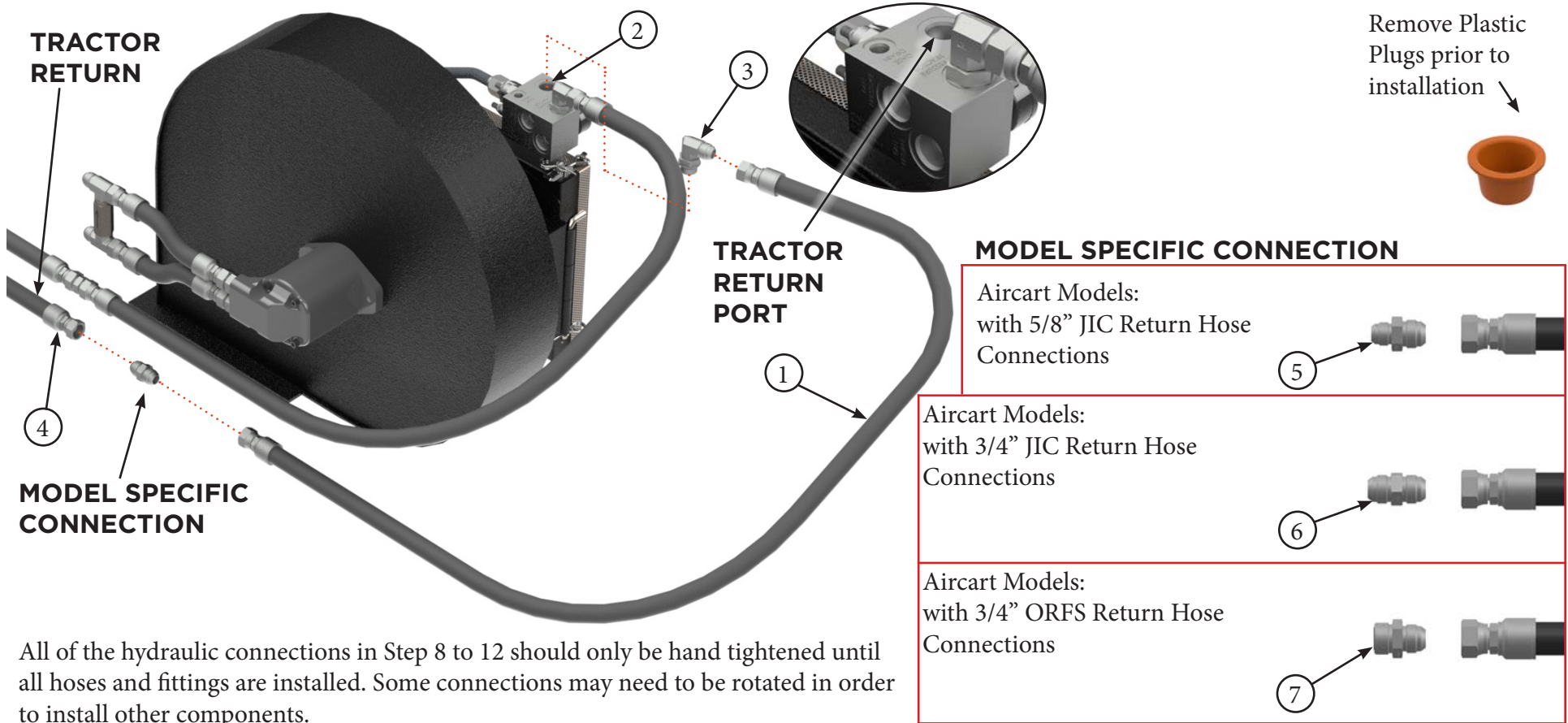


All of the hydraulic connections in Step 8 to 12 should only be hand tightened until all hoses and fittings are installed. Some connections may need to be rotated in order to install other components.

PARTS LIST		
Item	Part #	Description
1	9016	BPS 3/4" Hydraulic Hose - 60"
2	--	"TRACTOR PRESSURE" Port - BP System Manifold
3	7506	Fiting - Elbow - 3/4" JIC Male - 3/4" ORB Male
4	--	Tractor Supply (Pressure) Hydraulic Hose

PARTS LIST		
Item	Part #	Description
5	7242	Fitting - Straight - 5/8" JIC M - 3/4" JIC M
6	7538	Fitting - Straight - 3/4" JIC M - 3/4" JIC M
7	7209	Fitting - Straight - 3/4" JIC M - 3/4" ORFS M

Title	Airguard Blockage Prevention System Upgrade Instructions	RELEASE DATE	2023-03-01
STEP	9. Install supplied 3/4" hydraulic hose (Item 1) to the "TRACTOR RETURN" port of the radiator block (Item 2) using adapter (Item 3). Use model specific connection as per instructions below to attach the other end of the hose to the factory pressure line (Item 4) that was removed from the fan motor.	REV #	1.0
		PART KIT #	Varies



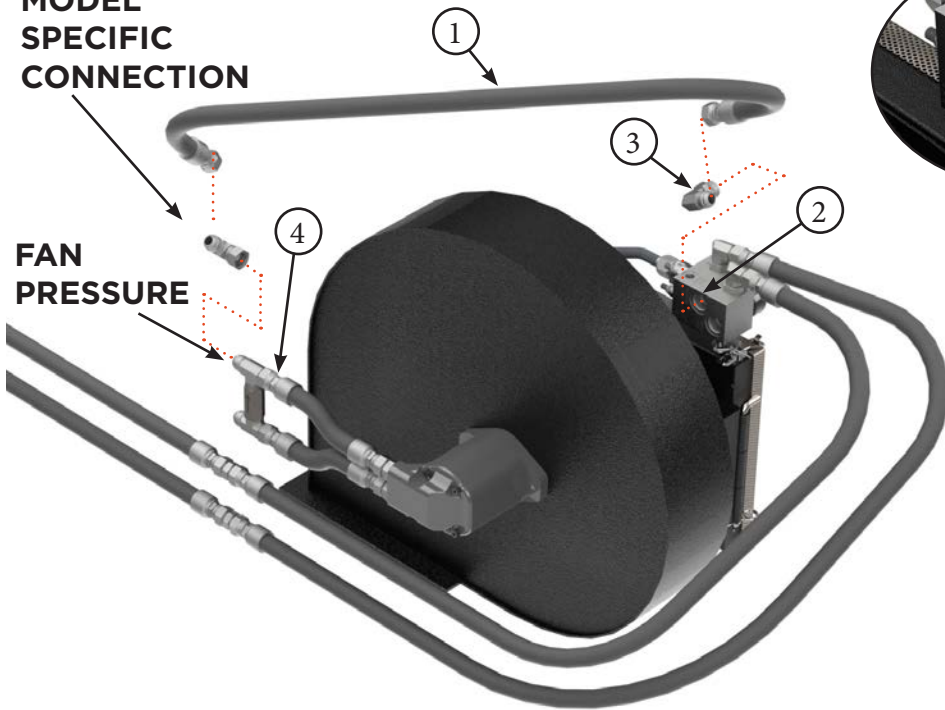
All of the hydraulic connections in Step 8 to 12 should only be hand tightened until all hoses and fittings are installed. Some connections may need to be rotated in order to install other components.

PARTS LIST		
Item	Part #	Description
1	9016	BPS 3/4" Hydraulic Hose - 60"
2	--	"TRACTOR RETURN" Port - BP System Manifold
3	7506	Fiting - Elbow - 3/4" JIC Male - 3/4" ORB Male
4	--	Tractor Return Hydraulic Hose

PARTS LIST		
Item	Part #	Description
5	7242	Fitting - Straight - 5/8" JIC M - 3/4" JIC M
6	7538	Fitting - Straight - 3/4" JIC M - 3/4" JIC M
7	7209	Fitting - Straight - 3/4" JIC M - 3/4" ORFS M

Title	Airguard Blockage Prevention System Upgrade Instructions	RELEASE DATE	2023-03-01
STEP	10. Install supplied 3/4" hydraulic hose (Item 1) to the "FAN PRESSURE" port of the radiator block (Item 2) using adapter (Item 3). Use model specific connection as per instructions below to attach the other end of the hose to the factory fan pressure line/ port (Item 4) coming from the fan motor.	REV #	1.0
		PART KIT #	Varies

MODEL SPECIFIC CONNECTION



FAN PRESSURE PORT

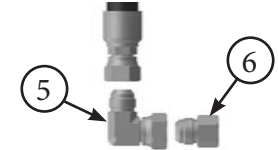
All of the hydraulic connections in Step 8 to 12 should only be hand tightened until all hoses and fittings are installed. Some connections may need to be rotated in order to install other components.

Remove Plastic Plugs prior to installation



MODEL SPECIFIC CONNECTION

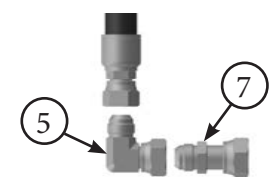
Aircart Models: with 5/8" JIC Pressure Hose Connections



Aircart Models: with 3/4" JIC Pressure Hose Connections



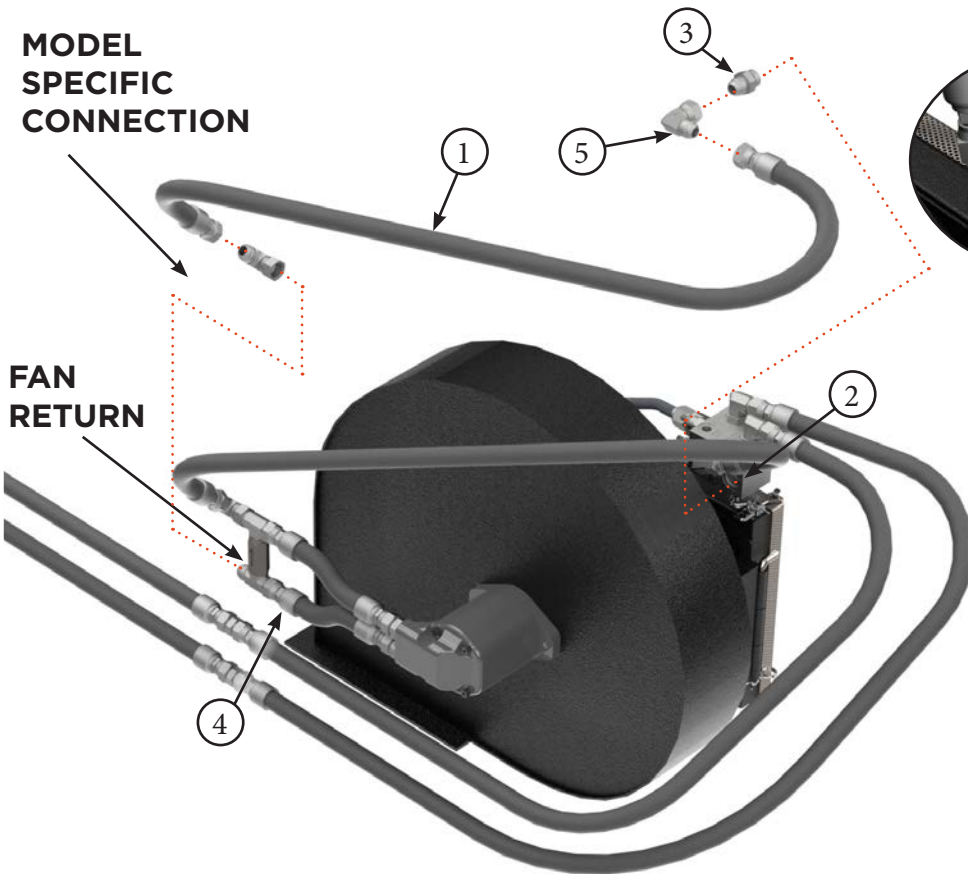
Aircart Models: with 3/4" ORFS Pressure Hose Connections



PARTS LIST		
Item	Part #	Description
1	9016	BPS 3/4" Hydraulic Hose - 60"
2	--	"FAN PRESSURE" Port - BP System Manifold
3	7506	Fiting - Elbow - 3/4" JIC Male - 3/4" ORB Male
4	--	Fan Supply (Pressure) Hydraulic Hose

PARTS LIST		
Item	Part #	Description
5	7539	Fitting - Elbow - 3/4" JIC M - 3/4" JIC F
6	7226	Fitting - Straight - 3/4" JIC M - 5/8" JIC F
7	7588	Fitting - Straight - 3/4" JIC M - 3/4" ORFS F

Title	Airguard Blockage Prevention System Upgrade Instructions	RELEASE DATE	2023-03-01
STEP	11. Install supplied 3/4" hydraulic hose (Item 1) to the "FAN RETURN" port of the radiator block (Item 2) using adapters (Item 3 & 5). Use model specific connection as per instructions below to attach the other end of the hose to the factory fan return line/port (Item 4) coming from the fan motor.	REV #	1.0
		PART KIT #	Varies



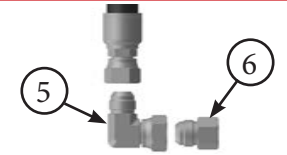
All of the hydraulic connections in Step 8 to 12 should only be hand tightened until all hoses and fittings are installed. Some connections may need to be rotated in order to install other components.

Remove Plastic Plugs prior to installation

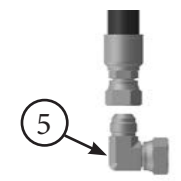


MODEL SPECIFIC CONNECTION

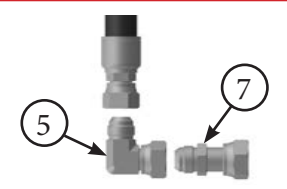
Aircart Models:
with 5/8" JIC Return Hose
Connections



Aircart Models:
with 3/4" JIC Return Hose
Connections



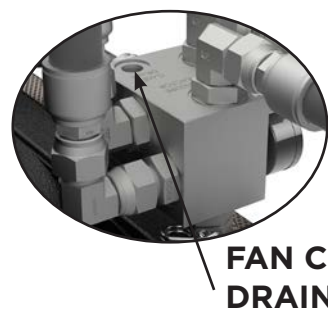
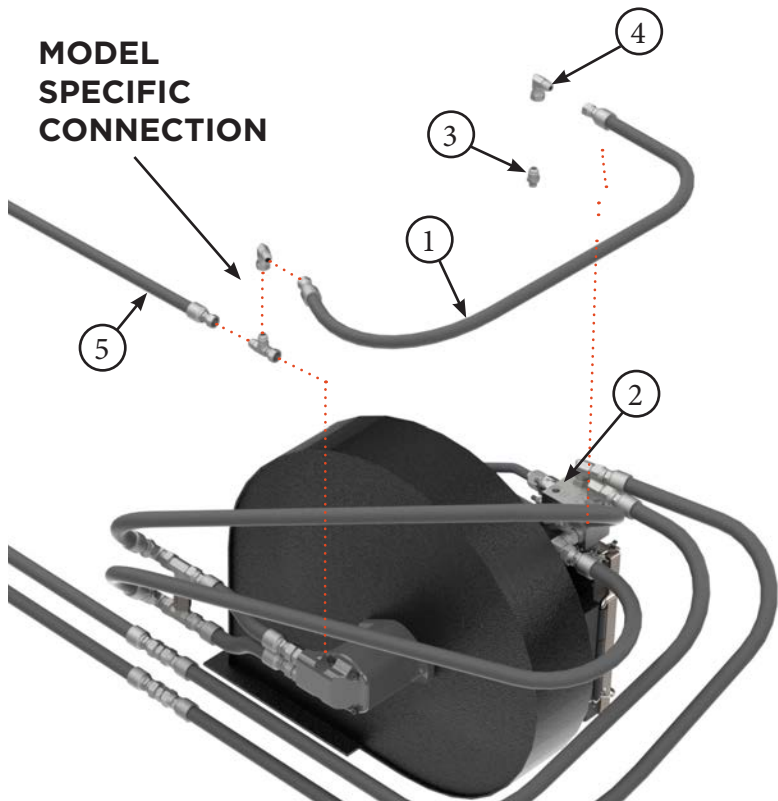
Aircart Models:
with 3/4" ORFS Return Hose
Connections



PARTS LIST		
Item	Part #	Description
1	9016	BPS 3/4" Hydraulic Hose - 60"
2	--	"FAN RETURN" Port - BP System Manifold
3	7543	Fitting - Straight - 3/4" JIC Male - 3/4" ORB Male
4	--	Fan Return Hydraulic Hose

PARTS LIST		
Item	Part #	Description
5	7539	Fitting - Elbow - 3/4" JIC M - 3/4" JIC F
6	7226	Fitting - Straight - 3/4" JIC M - 5/8" JIC F
7	7588	Fitting - Straight - 3/4" JIC M - 3/4" ORFS F

Title	Airguard Blockage Prevention System Upgrade Instructions	RELEASE DATE	2023-03-01
STEP	12. Install supplied 1/2" hydraulic hose (Item 1) to the "CASE DRAIN" port of the radiator block (Item 2) using adapters (Item 3 & 4). and to the fan motor case drain line (Item 5). Use model specific connection as per instructions below to attach the other end of the hose to the factory fan case drain line/port (Item 5) coming from the fan motor.	REV #	1.0
		PART KIT #	Varies



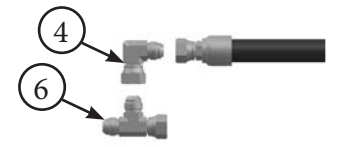
All of the hydraulic connections in Step 8 to 12 should only be hand tightened until all hoses and fittings are installed. Some connections may need to be rotated in order to install other components.

Remove Plastic Plugs prior to installation

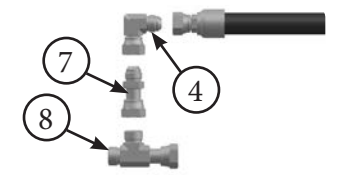


MODEL SPECIFIC CONNECTION

Aircart Models:
with 1/2" JIC Case Drain
Hose Connections



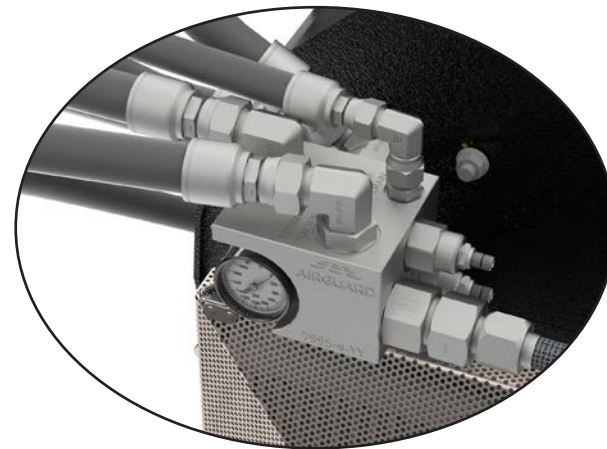
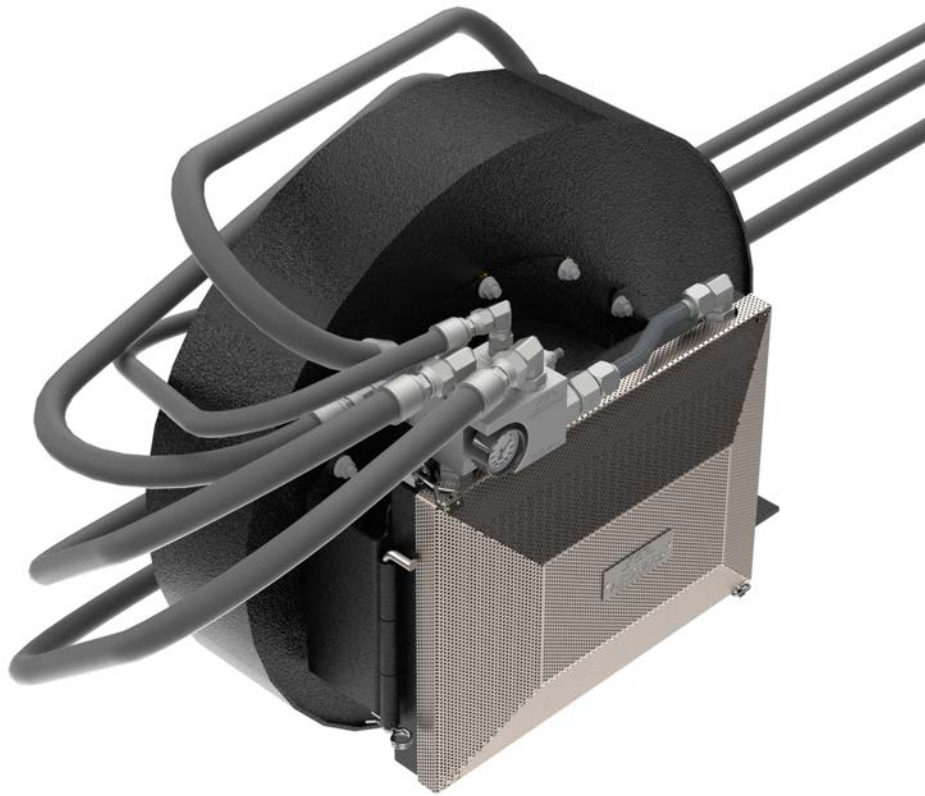
Aircart Models:
with 1/2" ORFS Case Drain
Hose Connections



PARTS LIST		
Item	Part #	Description
1	7267	BPS 1/2" Hydraulic Hose - 60"
2	--	"FAN CASE DRAIN" Port - BP System Manifold
3	7264	Fitting - Straight - 1/2" JIC Male - 3/8" ORB Male
4	7686	Fiting - Elbow - 1/2" JIC M - 1/2" JIC F

PARTS LIST		
Item	Part #	Description
5	--	Fan Case Drain Hydraulic Hose
6	7263	Fitting - Tee - 1/2" JIC M - M - F
7	7265	Fitting - Straight - 1/2" JIC M - 1/2" ORFS F
8	7266	Fitting - Tee - 1/2" ORFS M - M - F

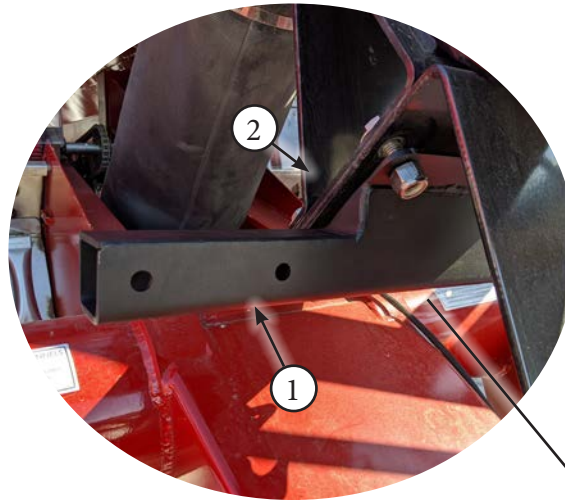
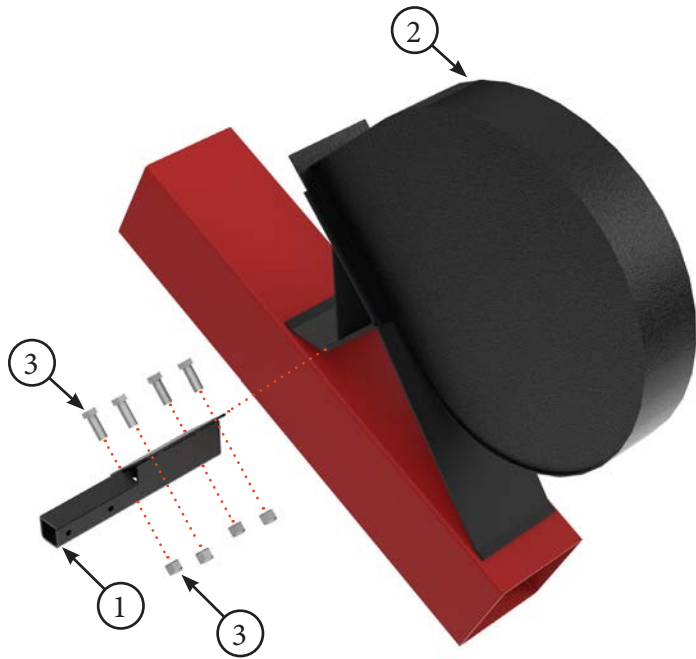
Title	Airguard Blockage Prevention System Upgrade Instructions	RELEASE DATE	2023-03-01
STEP	13. Complete the hydraulic installation by ensuring that all connections made in Step 8 to 12 are tightened. Position/Routing of hydraulic hoses may vary to suit each specific machine installation. Zip tie hoses to reduce wear and ensure tidy installation.	REV #	1.0
		PART KIT #	Varies



COMPLETED INSTALLATION WITH NO SNORKEL

Title	Airguard Blockage Prevention System Upgrade Instructions	RELEASE DATE	2023-03-01
STEP	14. For 1910 Aircarts. Install the bracket (Item 1) onto Fan Mount Plate (Item 2) using existing hardware (Item 3).	REV #	1.0
		PART KIT #	Varies

MODEL SPECIFIC CONNECTION - KIT 7940:
8600 Floater
8700 Floater

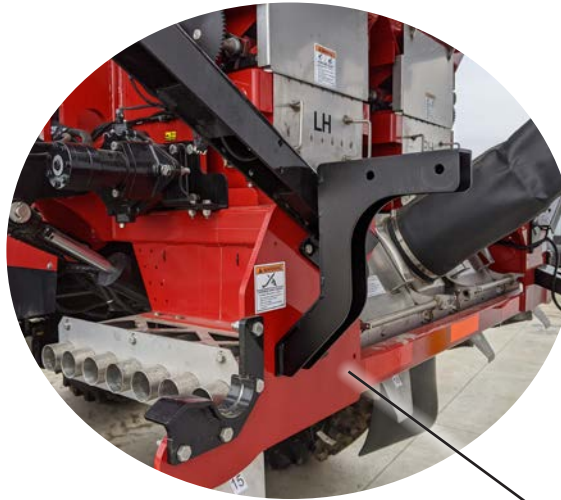
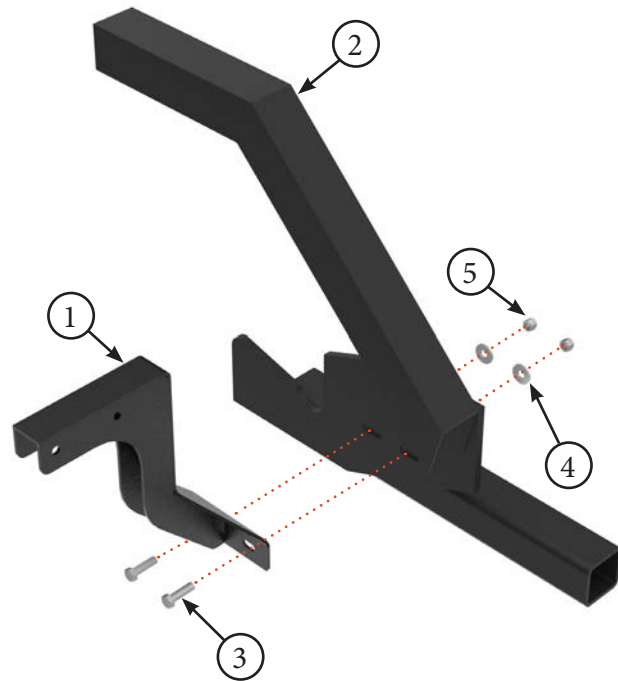


PARTS LIST		
Item	Part #	Description
1	7931	Bracket
2	--	Fan Mount Plate

PARTS LIST		
Item	Part #	Description
3	--	Existing hardware

Title	Airguard Blockage Prevention System Upgrade Instructions	RELEASE DATE	2023-03-01
STEP	15. For 9620 Floaters. Install the bracket (Item 1) onto the left bumper plate (Item 2) using 12mm x 40mm Bolts (Item 3), using 12mm Flat Washers (Item 4) and 12mm Lock Nuts (Item 5).	REV #	1.0
		PART KIT #	Varies

MODEL SPECIFIC CONNECTION - KIT 7950:
9620 Floater



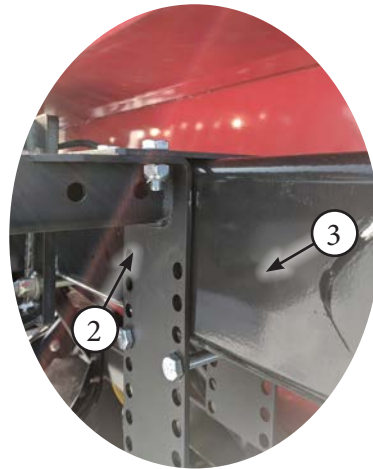
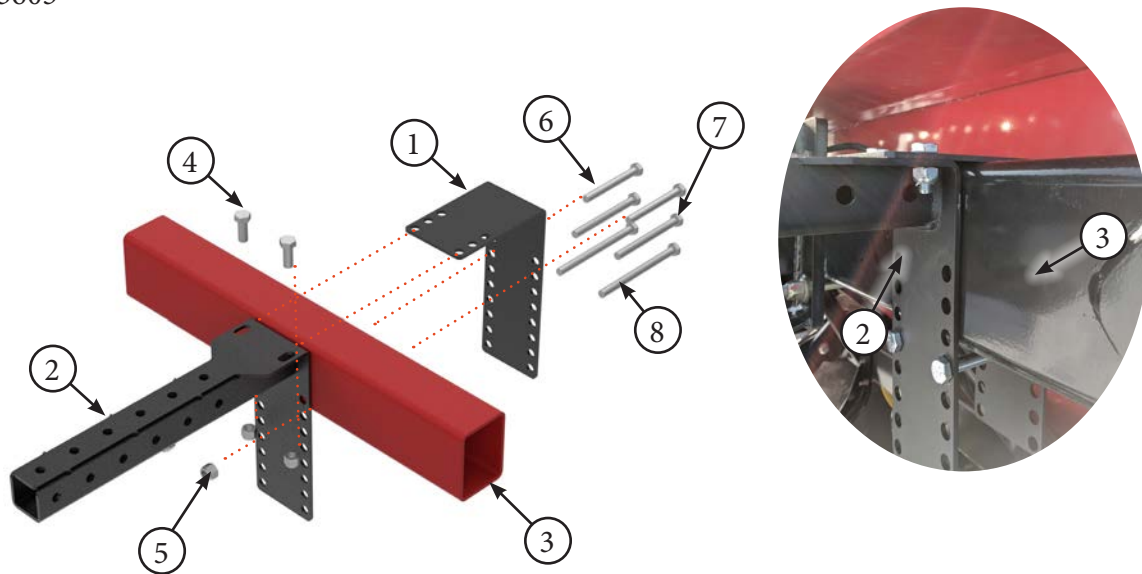
PARTS LIST		
Item	Part #	Description
1	7946	Bracket
2	--	Left Bumper Plate
3	7671	Hex Bolt, 12mm x 40mm

PARTS LIST		
Item	Part #	Description
4	7925	Flat Washer, 12mm
5	7669	Lock Nut, 12mm

Title	Airguard Blockage Prevention System Upgrade Instructions	RELEASE DATE	2023-01-01
STEP	16. For installations on specific models as per below, the universal snorkel mount can be used. Install the brackets (Item 1 & 2) onto Aircart HSS Frame (Item 3) using supplied hardware. Use 12mm x 30mm (Item 4) and 12mm lock nuts (Item 5) for top connection. Use 12mm x 110mm-160mm (Item 6, 7 or 8) and 12mm lock nuts (Item 5) for bottom connection. Bracket is designed to fit HSS Beams 3"-5" x 3"-10" in vertical or horizontal mount positions.	REV #	1.0
		PART KIT #	Varies

MODEL SPECIFIC CONNECTION - KIT 7860:

AC1000
AC2000
AC3000
3605

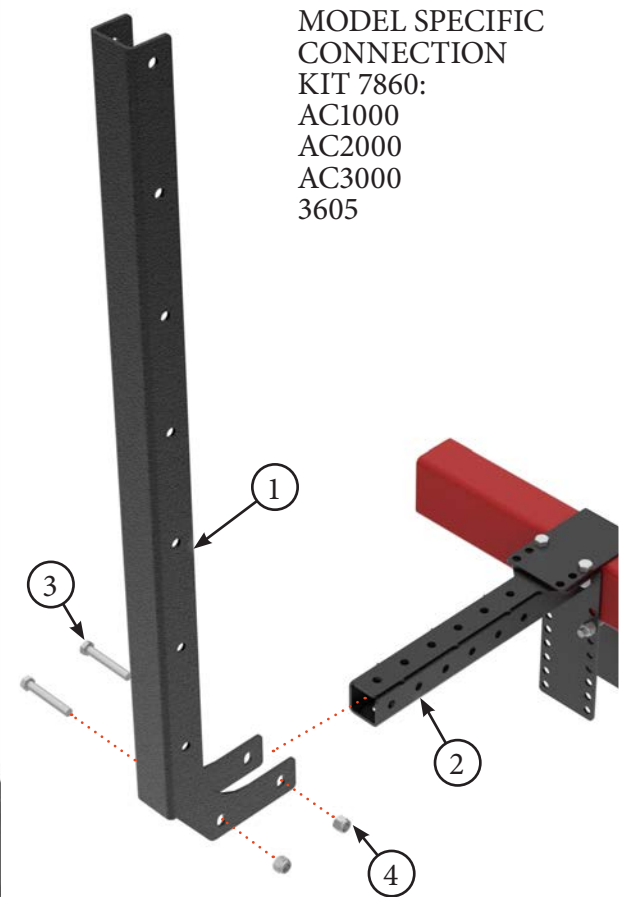
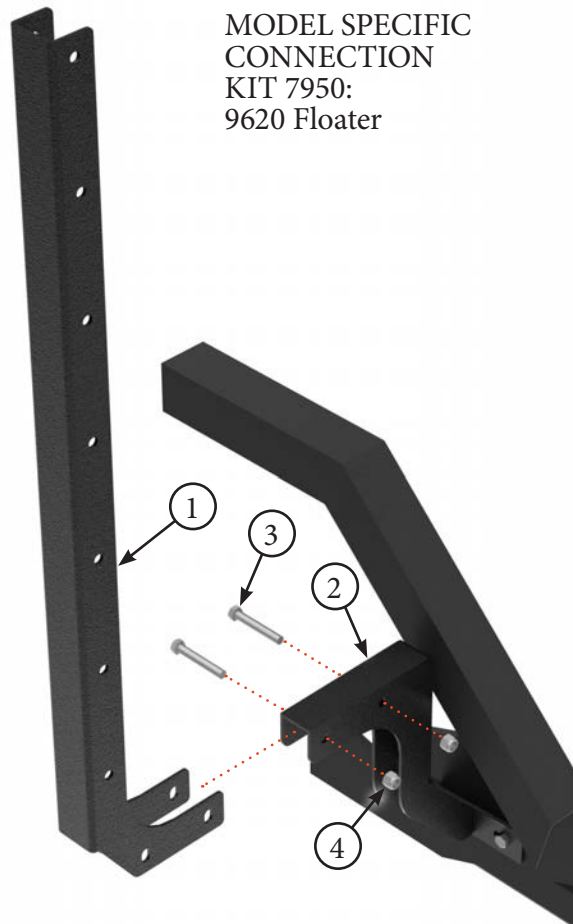
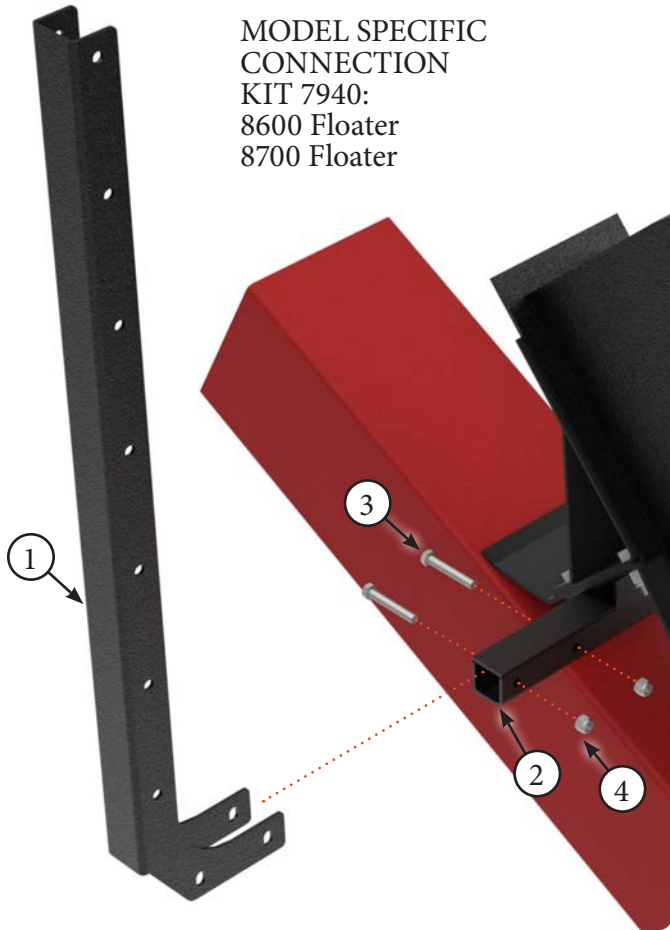


Tow Behind

PARTS LIST		
Item	Part #	Description
1	7869	Adjustable HSS Backing Plate
2	7873	Adjustable HSS Bracket Assembly
3	--	Aircart HSS Frame
4	7861	Hex Bolt, 12mm x 30mm

PARTS LIST		
Item	Part #	Description
5	7669	Lock Nut, 12mm
6	7862	Hex Bolt, 12mm x 110mm
7	7863	Hex Bolt, 12mm x 130mm
8	7864	Hex Bolt, 12mm x 160mm

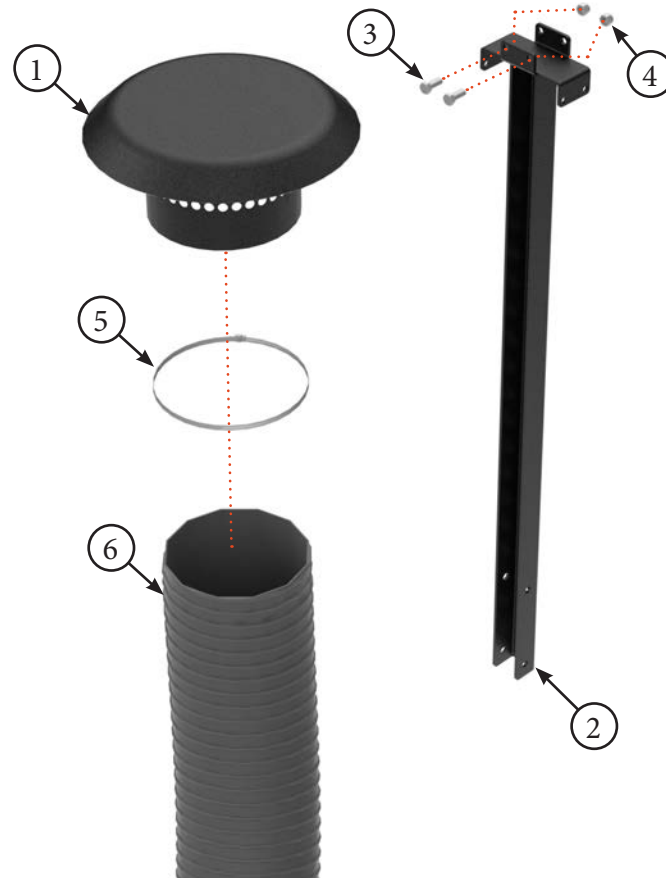
Title	Airguard Blockage Prevention System Upgrade Instructions	RELEASE DATE	2023-03-01
STEP	17. Mount outer vertical channel (Item 1) to Mount Bracket (Item 2) using supplied 12mm x 80mm Bolts (Item 3) and 12mm lock nuts (Item 4). For some installations it is easier to attach only 1 bolt and then rotate up into position after installing the upper channel, see step 18 & 19.	REV #	1.0
		PART KIT #	Varies



PARTS LIST		
Item	Part #	Description
1	7865	Outer Vertical Channel
2	--	Mount Bracket

PARTS LIST		
Item	Part #	Description
3	7859	Hex Bolt, 12mm x 80mm
4	7669	Lock Nut, 12mm

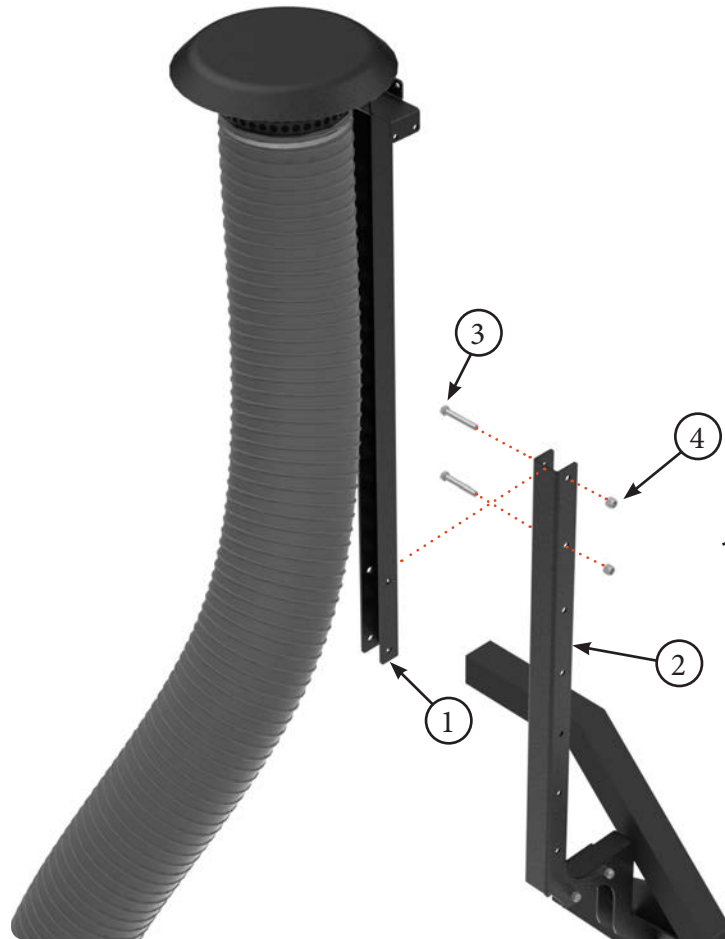
Title	Airguard Blockage Prevention System Upgrade Instructions	RELEASE DATE	2023-03-01
STEP	18. Attach air intakes (Item 1) to upper vertical channel (Item 2) using supplied 10mm x 25mm Bolts (Item 3) and 10mm lock nuts (Item 4). A maximum of 4 intakes can be mounted. Use bridge clamp (Item 5) to attach 8" flex hose (Item 6) to air intake (Item 1).	REV #	1.0
		PART KIT #	Varies



PARTS LIST		
Item	Part #	Description
1	7576	Air Intake Bracket
2	7868	Upper Vertical Channel
3	7515	Hex Bolt, 10mm x 25mm

PARTS LIST		
Item	Part #	Description
4	7516	Lock Nut, 10mm
5	7578	Bridge Clamp, 8"
6	7572	Flexible Snorkel Hose - 8"

Title	Airguard Blockage Prevention System Upgrade Instructions	RELEASE DATE	2023-03-01
STEP	19. Determine desired height of air intakes and secure upper vertical channel (Item 1) to lower vertical channel (Item 2) at that location. Use supplied 12mm x 80mm Bolts (Item 3) and 12mm lock nuts (Item 4). For some installations it is easier to attach only 1 bolt on the lower channel and then rotate up into position after installing the upper channel.	REV #	1.0
		PART KIT #	Varies

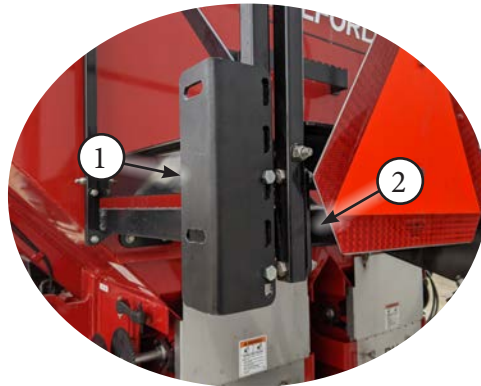
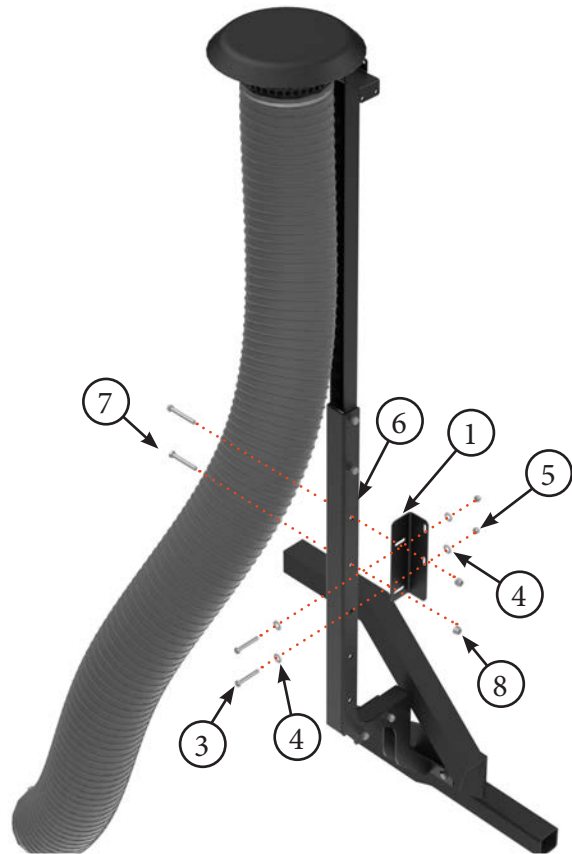


Assemble and then rotate into position

PARTS LIST		
Item	Part #	Description
1	7868	Upper Vertical Channel
2	7865	Lower Vertical Channel

PARTS LIST		
Item	Part #	Description
3	7859	Hex Bolt, 12mm x 80mm
4	7669	Lock Nut, 12mm

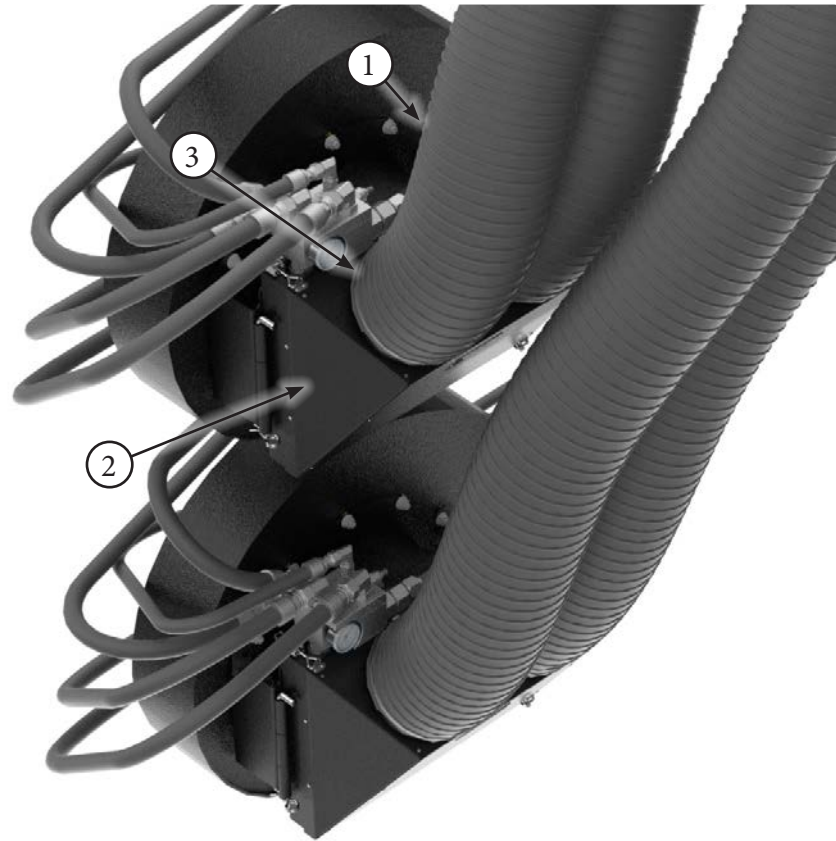
Title	Airguard Blockage Prevention System Upgrade Instructions	RELEASE DATE	2023-03-01
STEP	20. For 9620 Floaters, attach stabilizer bracket (Item 1) to catwalk frame (Item 2) using supplied 3/8" x 2 1/2" Bolts (Item 3), 3/8" Flat Washers (Item 4) and 3/8" lock nuts (Item 5). Attach stabilizer bracket (Item 1) to Lower Channel (Item 6) using supplied 12mm x 90mm Bolts (Item 7) and 12mm Lock Nuts (Item 8).	REV #	1.0
		PART KIT #	Varies



PARTS LIST		
Item	Part #	Description
1	7949	Stabilizer Bracket
2	--	Catwalk Frame
3	7838	Hex Bolt, 3/8" x 2 1/2"
4	7953	Flat Washer, 3/8"

PARTS LIST		
Item	Part #	Description
5	7952	Lock Nut, 3/8"
6	7865	Lower Vertical Channel
7	7951	Hex Bolt, 12mm x 90mm
8	7669	Lock Nut, 12mm

Title	Airguard Blockage Prevention System Upgrade Instructions	RELEASE DATE	2023-03-01
STEP	21. Attach 8” flex hose (Item 1) to snorkel housing (Item 2) using bridge clamp (Item 3). Zip tie 8” flex hoses to reduce wear and ensure tidy installation.	REV #	1.0
		PART KIT #	Varies

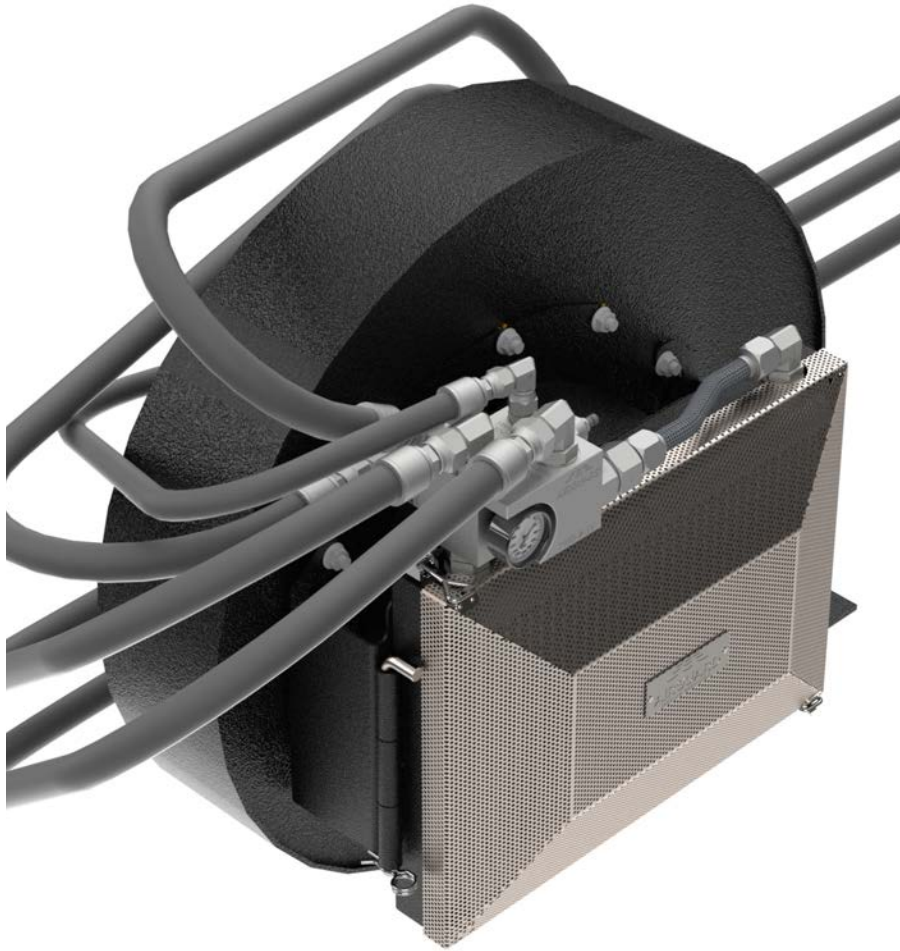


PARTS LIST		
Item	Part #	Description
1	7977	Snorkel Housing
2	7578	Bridge Clamp, 8”

PARTS LIST		
Item	Part #	Description
3	7572	Flexible Snorkel Hose - 8”

Title	Airguard Blockage Prevention System Upgrade Instructions	RELEASE DATE	2023-03-01
STEP	Installation is Completed. Ensure all hydraulic connections and bolts are tightened.	REV #	1.0
		PART KIT #	Varies

COMPLETED INSTALLATION WITH NO SNORKEL



COMPLETED INSTALLATION WITH SNORKELS

