



TO PROCESS YOUR WARRANTY CLAIM, THE FOLLOWING PHOTOS ARE REQUIRED, ALONG WITH THE DEALERSHIP THE ITEM WAS PURCHASED FROM AND THE SALES ORDER NUMBER IF AVAILABLE

Dealership:

Sales Order:

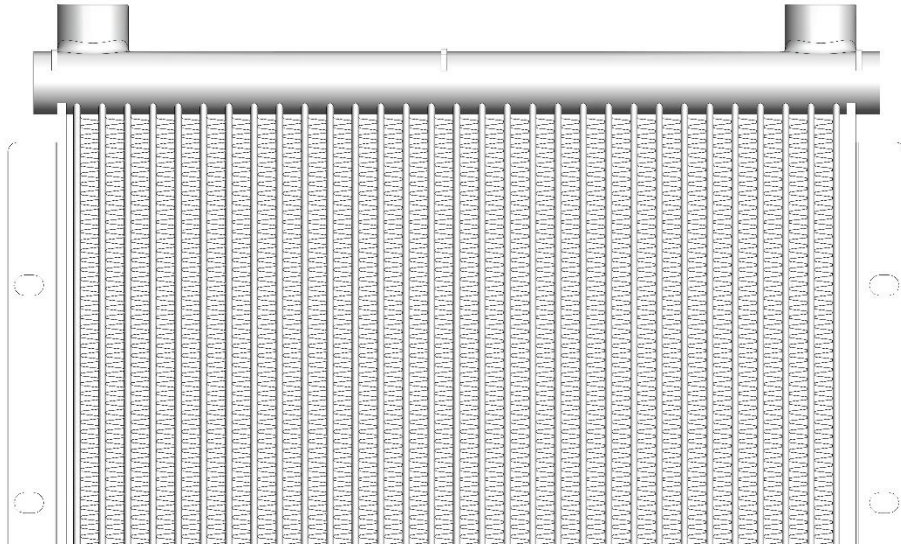


Photo of the Header

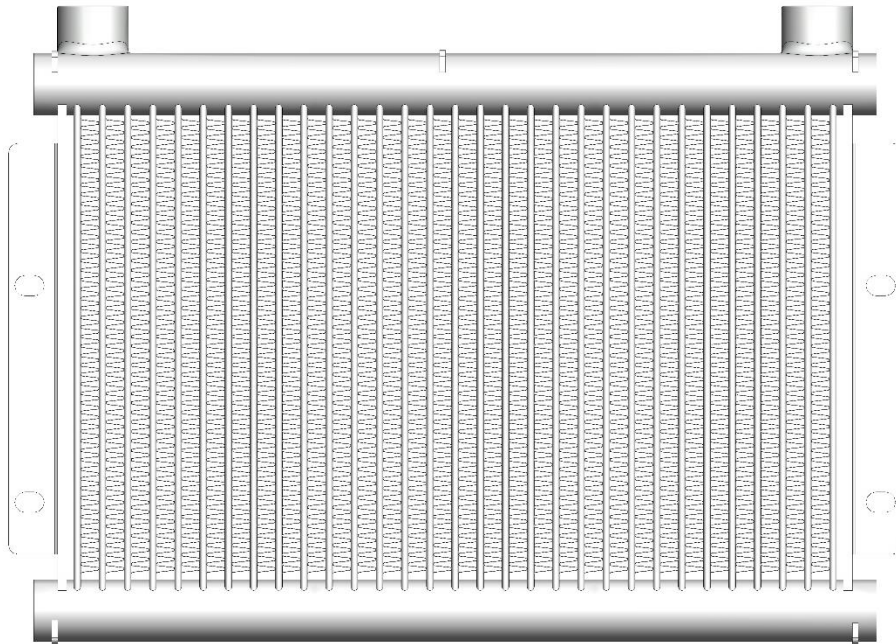


Photo of the Front

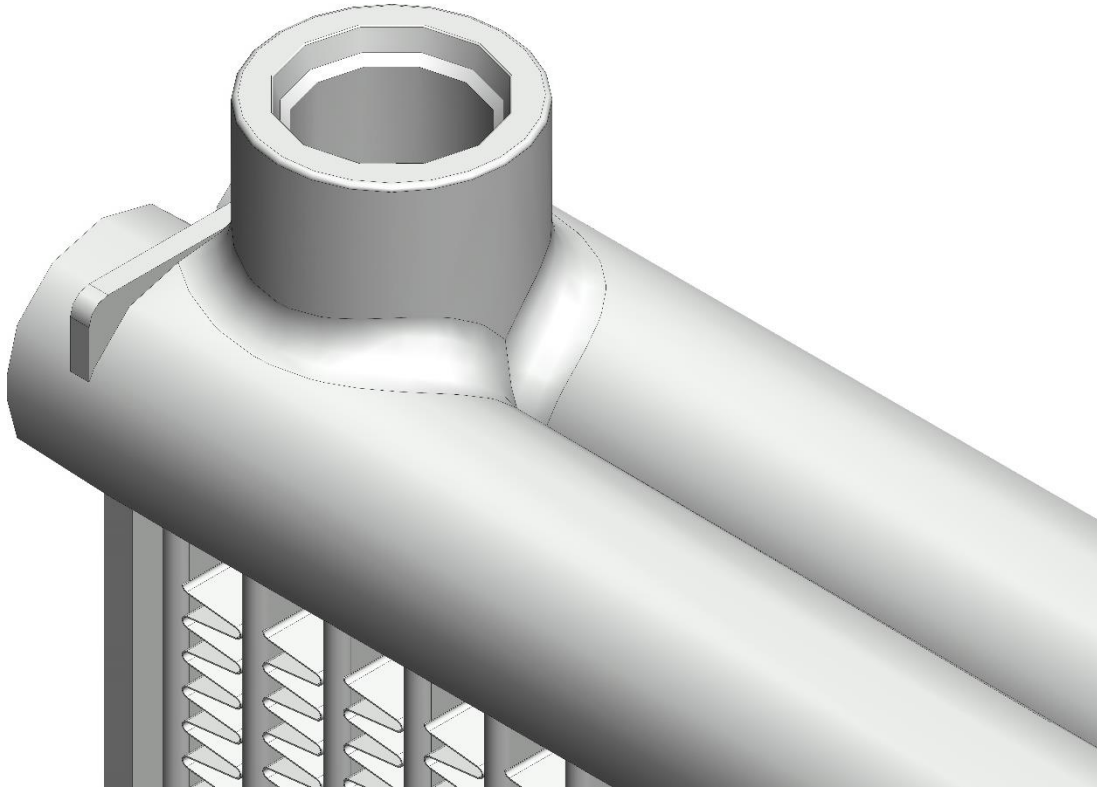


Photo of the Leak

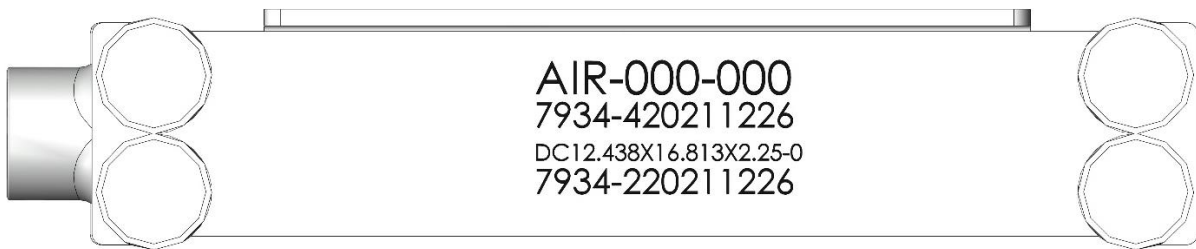


Photo of the Side c/w serial number

Photos can be emailed to your local Airguard sales rep, or our head office at info@airguardproducts.com