

# PART KIT INSTALL INSTRUCTIONS

# Montag Aircarts

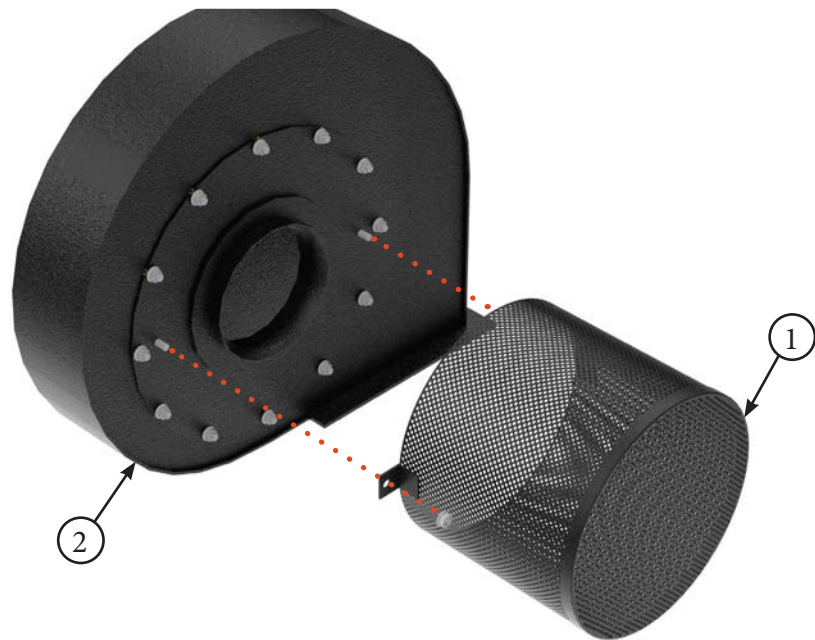
Part Kit #VARIES - Rev 1.0 - AIRGUARD - Blockage Prevention System

Release Date: 2023-03-01



  
**AIRGUARD**  
SEEDING PRECISION

<b>Title</b>	Airguard Blockage Prevention System Upgrade Instructions	<b>RELEASE DATE</b>	2023-03-01
<b>STEP</b>	1. Remove existing fan screen (Item 1) from the fan housing (Item 2). Some models have screens that are welded in place and do not need to be removed.	<b>REV #</b>	1.0
		<b>PART KIT #</b>	Varies



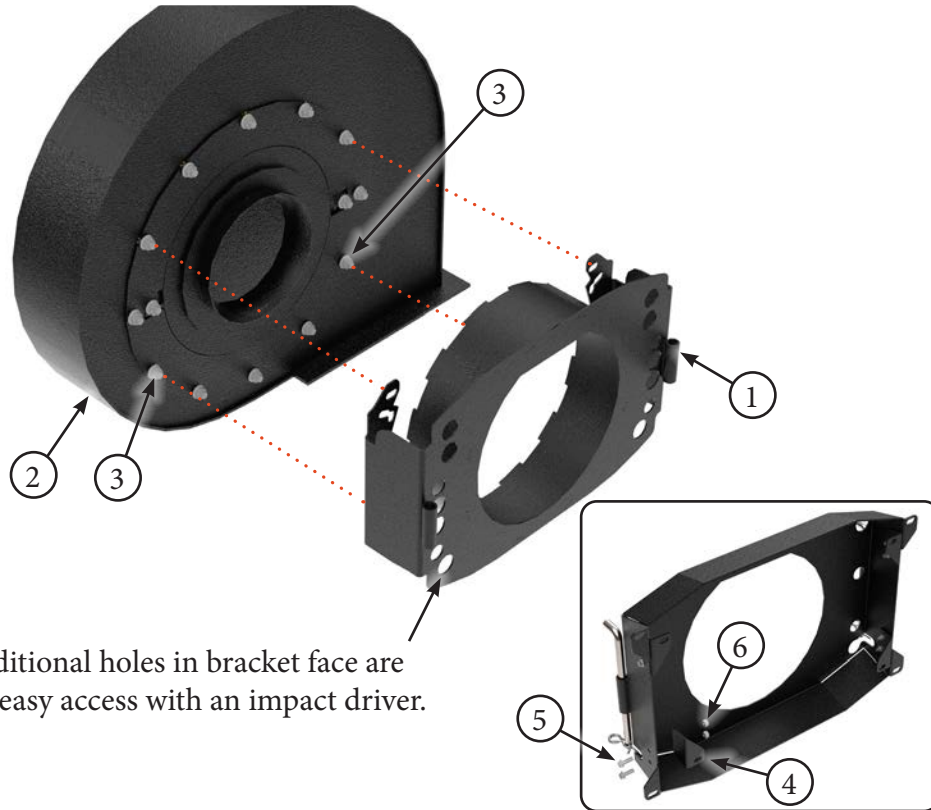
Screen is welded and does not need to be removed



PARTS LIST		
Item	Part #	Description
1	--	Fan Screen

PARTS LIST		
Item	Part #	Description
2	--	Fan Housing

<b>Title</b>	Airguard Blockage Prevention System Upgrade Instructions	<b>RELEASE DATE</b>	2023-03-01
<b>STEP</b>	2. Install supplied fan mounting bracket (Item 1) to fan housing (Item 2) using existing bolts and nuts (Item 3). For smaller stainless fan installations, small tabs (Item 4) will need to be installed on the inside of the bracket (Item 1) with 1/4" x 3/4" Bolts (Item 5) and 1/4" Lock Nuts (Item 6). Angle mount bracket in a position that ensures the supplied hydraulic hoses reach the fan motor. Additional holes in bracket face (Item 4) are for easy access with an impact driver. Bracket may look different than shown below.	<b>REV #</b>	1.0
		<b>PART KIT #</b>	Varies



Additional holes in bracket face are for easy access with an impact driver.

Use Kit # 9630 for the following Models:

- 8" Crary fans



Use Kit # 9580 for the following Models:

- Carts with welded stainless fans

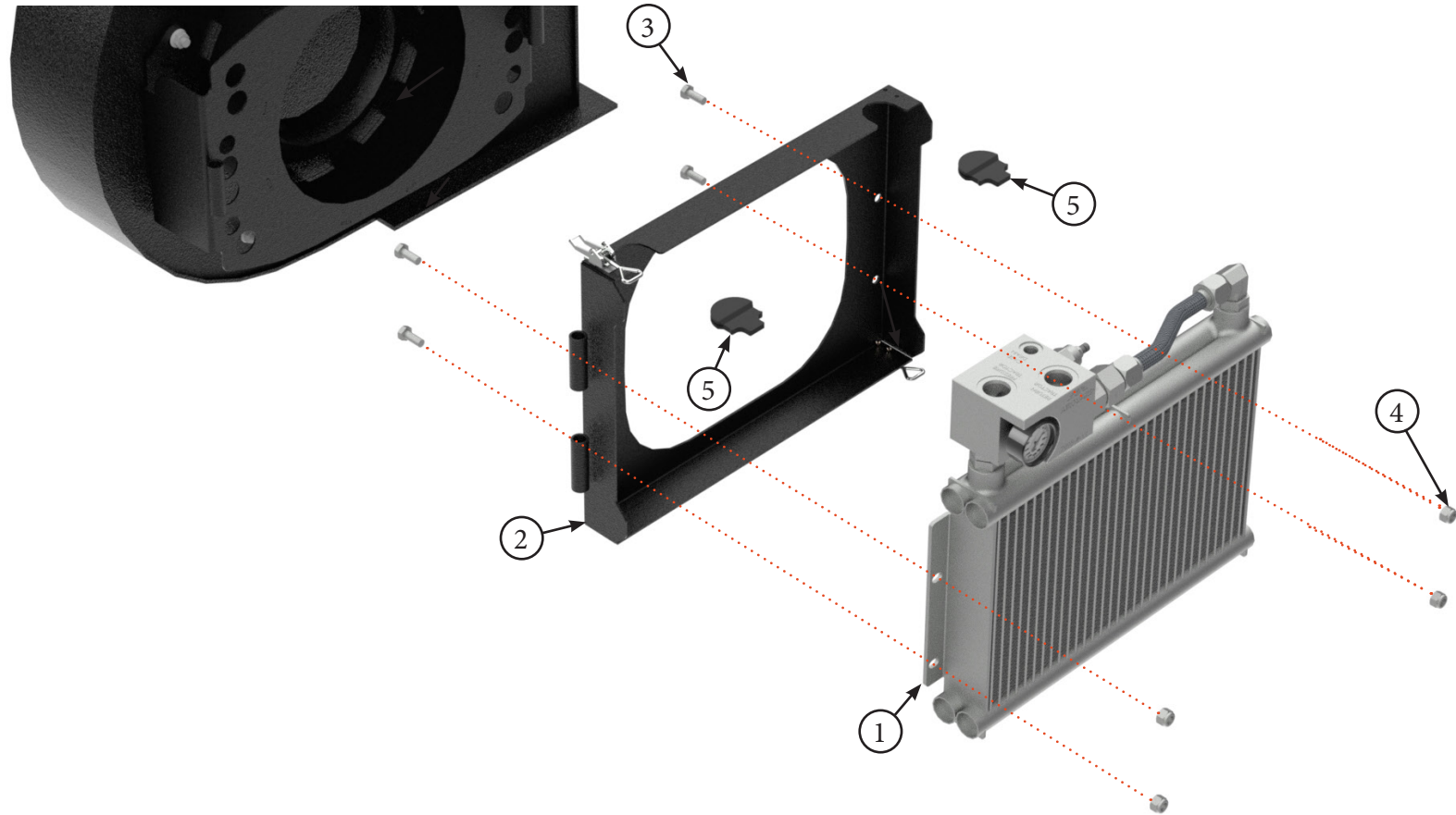


PARTS LIST		
Item	Part #	Description
1	7643	Fan Mounting Bracket
2	--	Fan Housing
3	--	Existing Hardware

PARTS LIST		
Item	Part #	Description
4	7645 / 7646	Left and Right Small Tab Bracket
5	7614	Hex Bolt, 1/4" x 3/4"
6	7615	Lock Nut, 1/4"



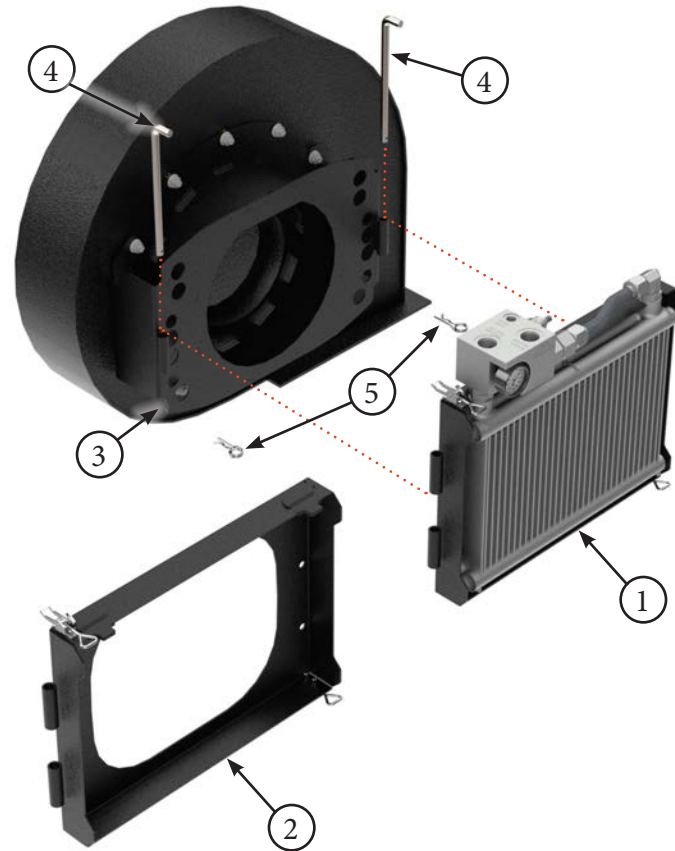
<b>Title</b>	Airguard Blockage Prevention System Upgrade Instructions	<b>RELEASE DATE</b>	2023-03-01
<b>STEP</b>	3. Bolt Oil Cooler/Radiator Assembly (Item 1) to BP System Bracket (Item 2) using supplied 10mm x 25mm Bolts (Item 3) and 10mm lock nuts (Item 4). If only installing snorkel kit without Radiator, then install plastic plugs (Item 5) onto BP System Bracket (Item 2). This step of the installation may already be completed at the Airguard factory prior to shipping.	<b>REV #</b>	1.0
		<b>PART KIT #</b>	Varies



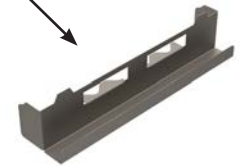
PARTS LIST		
Item	Part #	Description
1	7996	Oil Cooler and Manifold Assembly
2	7546	Main BP System Bracket
3	7515	Hex Bolt, 10mm x 25mm Grade 8.8

PARTS LIST		
Item	Part #	Description
4	7516	Lock Nut, 10mm Grade 8.8
5	7683	BP System Bracket Plug

<b>Title</b>	Airguard Blockage Prevention System Upgrade Instructions	<b>RELEASE DATE</b>	2023-03-01
<b>STEP</b>	4. Remove the packaging materials prior to the assembly of these brackets. Mount BP System Main Bracket with Oil Cooler (Item 1) or Main Bracket with Plugs (Item 2) to Fan bracket (Item 3) using supplied pivot pins (Item 4). Secure in place with 3.5mm cotter pins (Item 5).	<b>REV #</b>	1.0
		<b>PART KIT #</b>	Varies



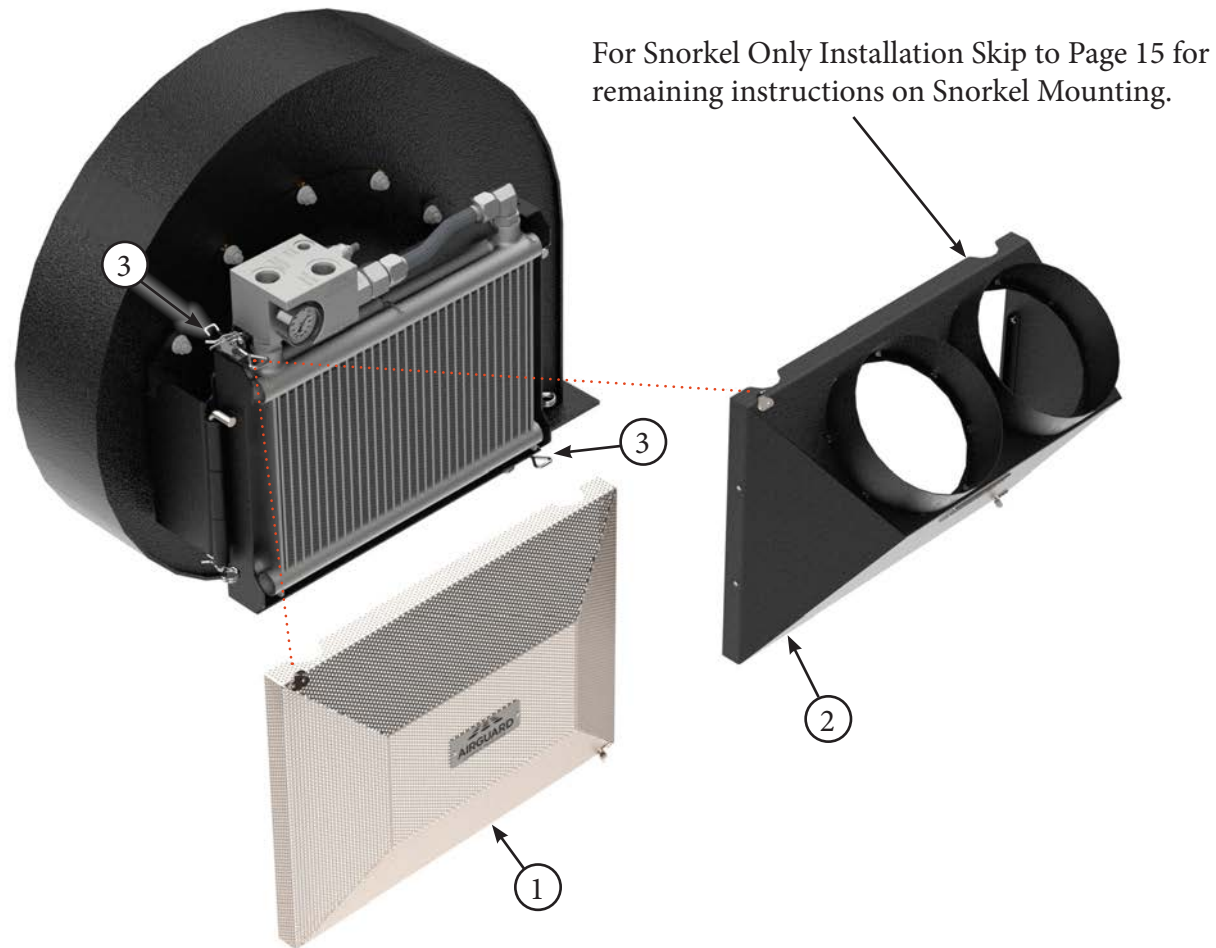
Remove Packaging material and discard, prior to install.



PARTS LIST		
Item	Part #	Description
1	--	BP System Main Bracket with Oil Cooler
2	--	BP System Main Bracket with Plugs for Snorkel Only Install
3	--	Fan Bracket

PARTS LIST		
Item	Part #	Description
4	7502	Pivot Pin For BP Systems
5	7513	3.5mm Cotter Pin

<b>Title</b>	Airguard Blockage Prevention System Upgrade Instructions	<b>RELEASE DATE</b>	2023-03-01
<b>STEP</b>	5. Attach Mesh Screen (Item 1) or Snorkel Housing (Item 2) to front of BPS using latches (Item 3).	<b>REV #</b>	1.0
		<b>PART KIT #</b>	Varies

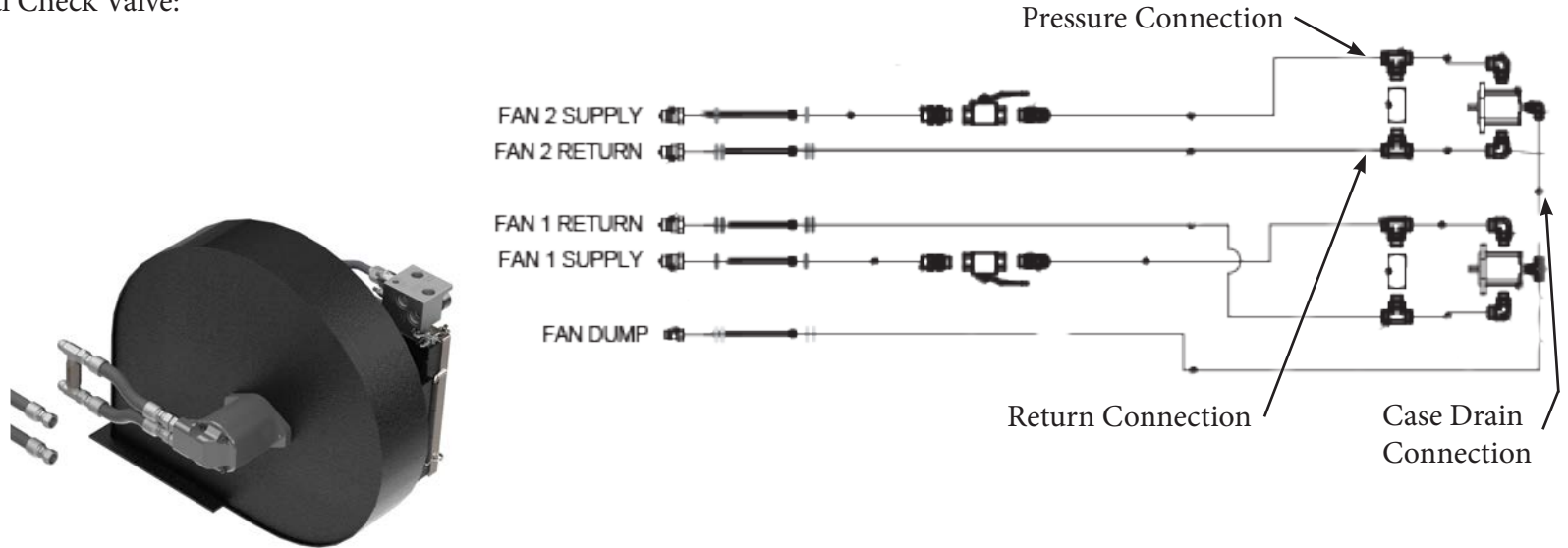


PARTS LIST		
Item	Part #	Description
1	7568	Mesh Screen
2	7977	Snorkel Housing

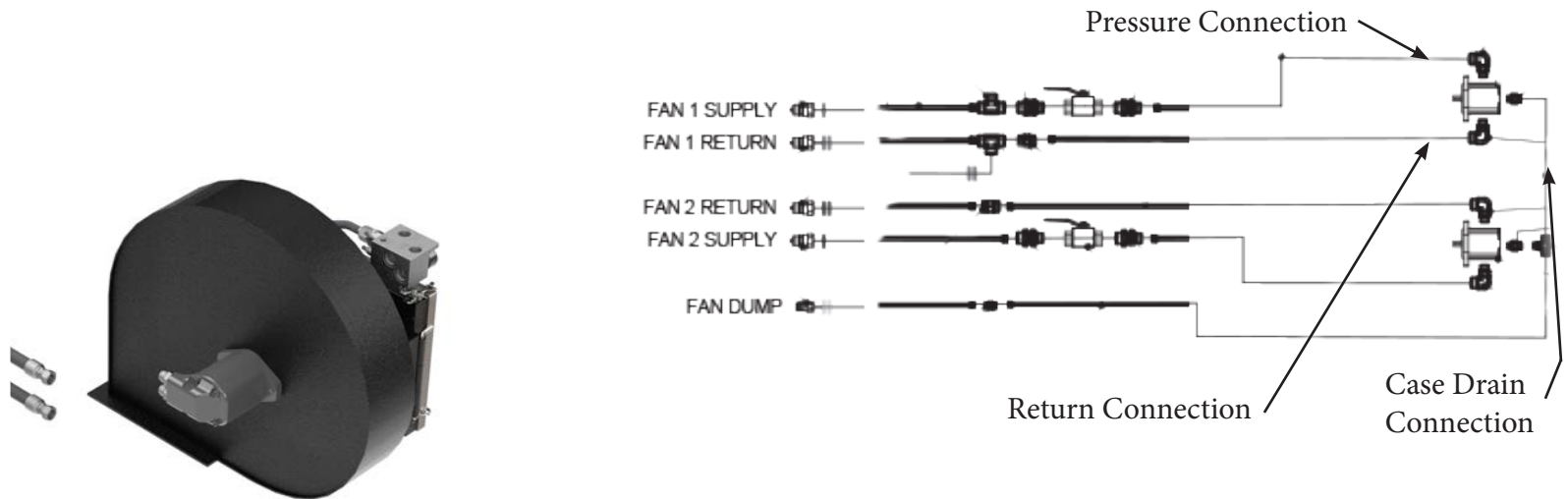
PARTS LIST		
Item	Part #	Description
3	--	Overcenter Latch

<b>Title</b>	Airguard Blockage Prevention System Upgrade Instructions	<b>RELEASE DATE</b>	2023-03-01
<b>STEP</b>	6. Identify the model of aircart that the Airguard Blockage Prevention System is being installed on. For models with external check valves, the connections must be made on the tractor side of the hydraulic circuit as shown below.	<b>REV #</b>	1.0
		<b>PART KIT #</b>	Varies

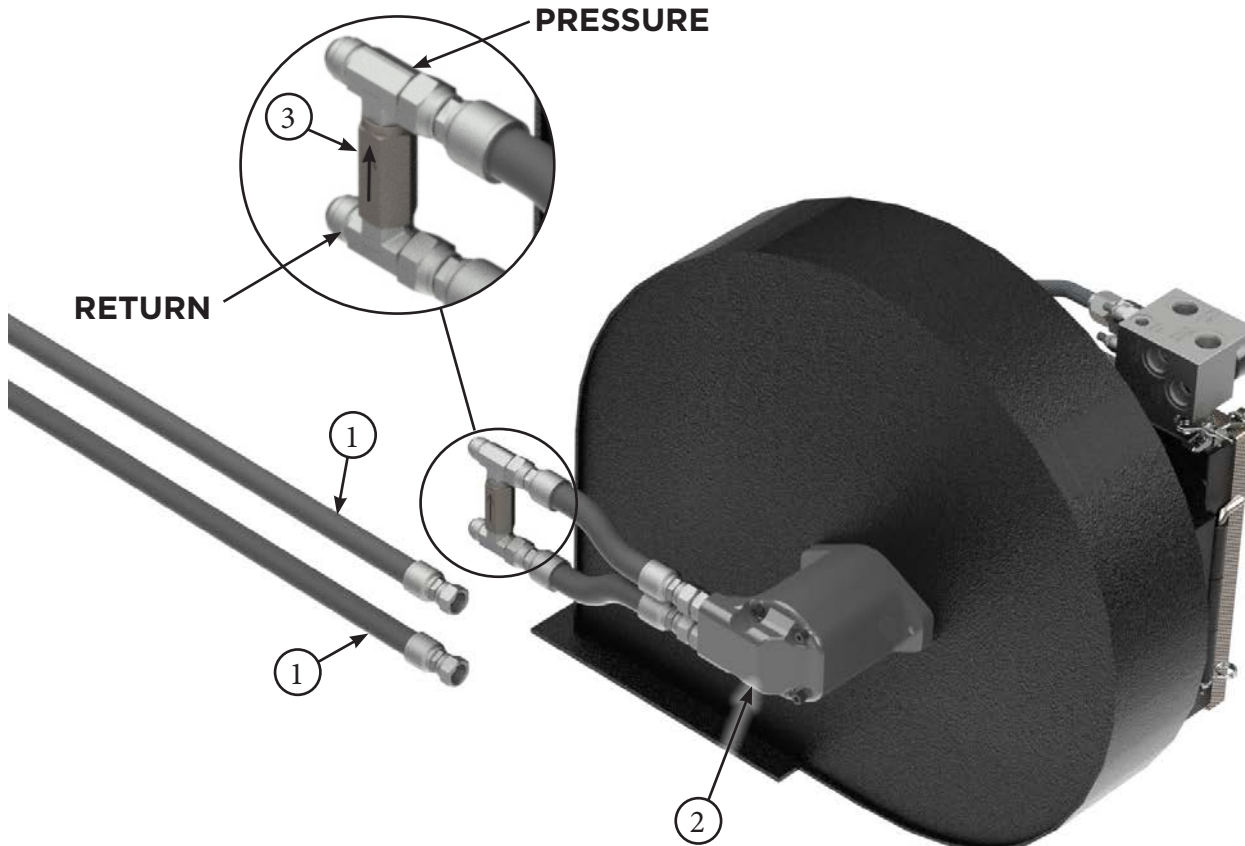
Installation with External Check Valve:



Installation with Internal Check Valve:



<b>Title</b>	Airguard Blockage Prevention System Upgrade Instructions	<b>RELEASE DATE</b>	2023-03-01
<b>STEP</b>	7. Remove factory hoses (Item 1) from side of fan motor (Item 2). Remove the hoses (Item 1) on the tractor side of the external check valve, as shown below. Identify which hose is the pressure side of the circuit. On newer models there is a shut off valve on the pressure side of the circuit. The external check valve will have a directional arrow that always points to the pressure side. If you do not have an external check valve you will attach directly to the fan motor.	<b>REV #</b>	1.0
		<b>PART KIT #</b>	Varies

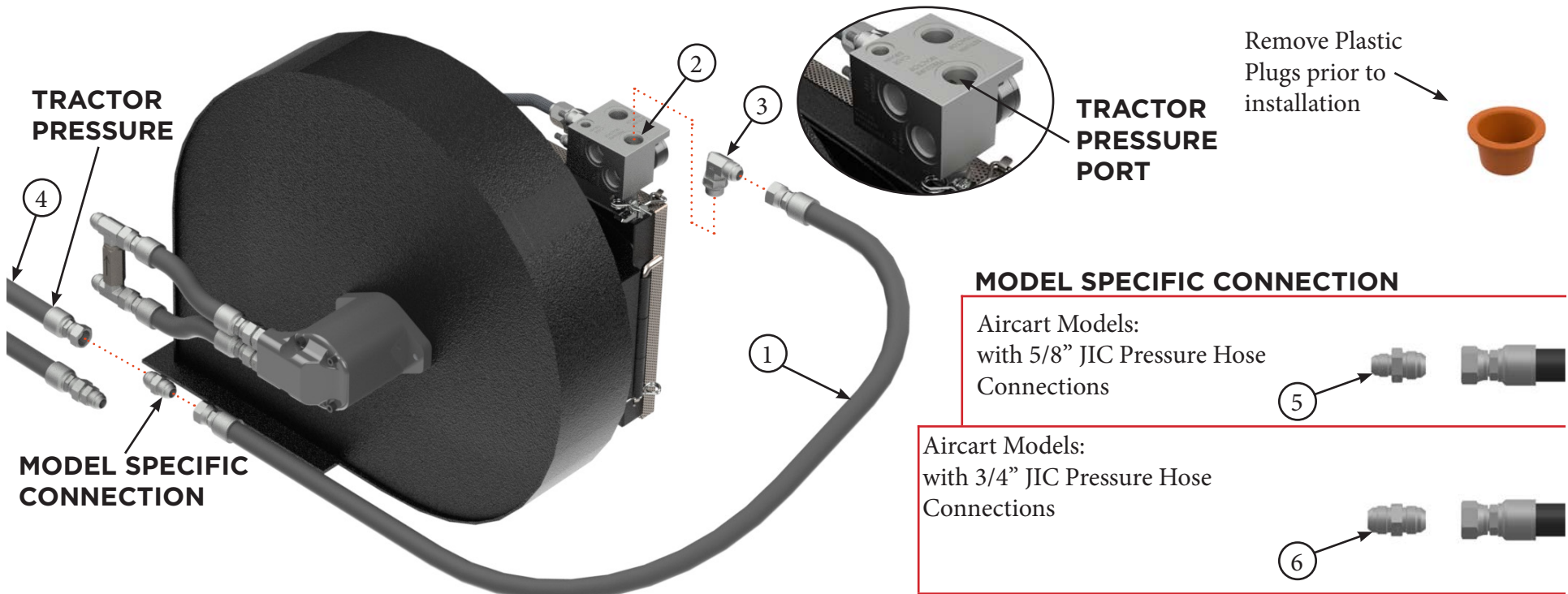


PARTS LIST		
Item	Part #	Description
1	--	Existing Hose from Tractor to Fan Motor
2	--	Hydraulic Motor

PARTS LIST		
Item	Part #	Description
3	--	External Check Valve



<b>Title</b>	Airguard Blockage Prevention System Upgrade Instructions	<b>RELEASE DATE</b>	2023-03-01
<b>STEP</b>	8. Hoses may be routed to suit your specific aircart installation. Install supplied 3/4" hydraulic hose (Item 1) to the "TRACTOR PRESSURE" port of the radiator block (Item 2), using adapter (Item 3) to make the connection. Use model specific connection as per instructions below to attach the other end of the hose to the factory pressure line (Item 4) that was removed from the fan motor.	<b>REV #</b>	1.0
		<b>PART KIT #</b>	Varies

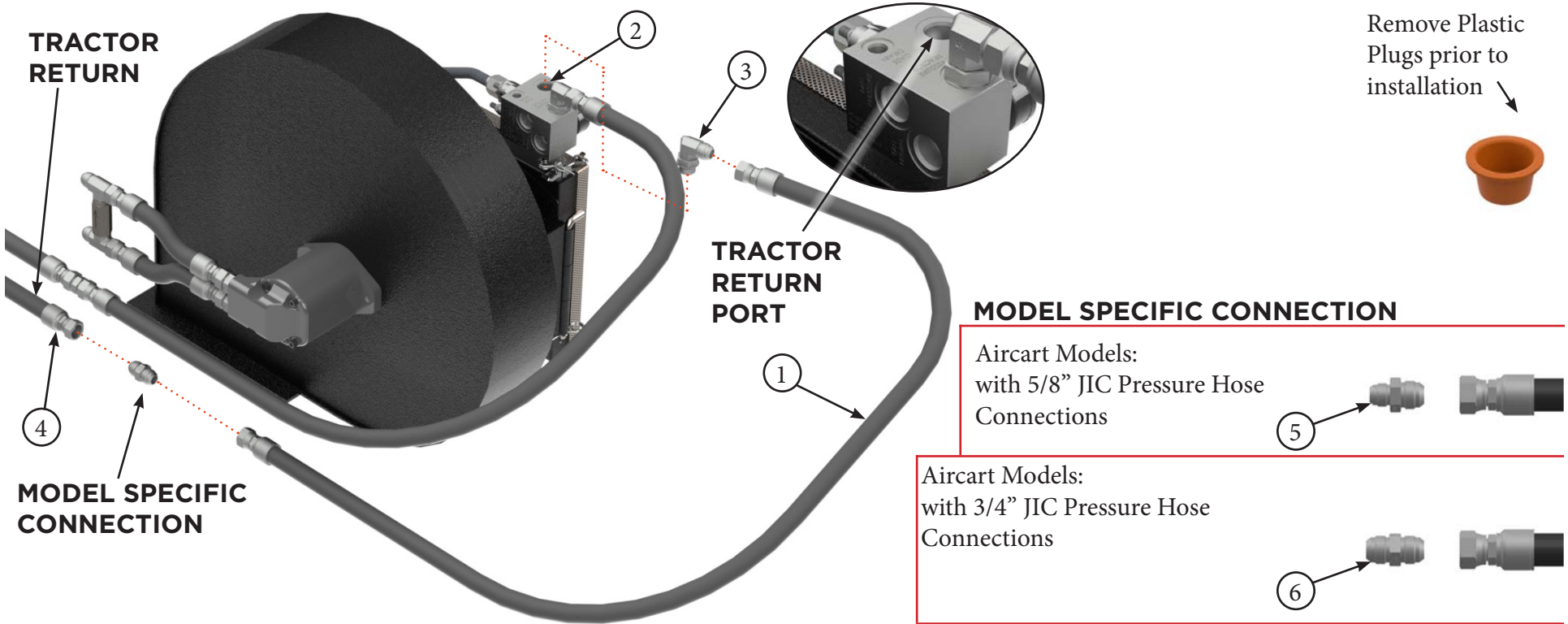


All of the hydraulic connections in Step 8 to 12 should only be hand tightened until all hoses and fittings are installed. Some connections may need to be rotated in order to install other components.

PARTS LIST		
Item	Part #	Description
1	9016	BPS 3/4" Hydraulic Hose - 60"
2	--	"TRACTOR PRESSURE" Port - BP System Manifold
3	7506	Fiting - Elbow - 3/4" JIC Male - 3/4" ORB Male

PARTS LIST		
Item	Part #	Description
4	--	Tractor Supply (Pressure) Hydraulic Hose
5	7242	Fitting - Straight - 5/8" JIC M - 3/4" JIC M
6	7538	Fitting - Straight - 3/4" JIC M - 3/4" JIC M

<b>Title</b>	Airguard Blockage Prevention System Upgrade Instructions	<b>RELEASE DATE</b>	2023-03-01
<b>STEP</b>	9. Install supplied 3/4" hydraulic hose (Item 1) to the "TRACTOR RETURN" port of the radiator block (Item 2) using adapter (Item 3). Use model specific connection as per instructions below to attach the other end of the hose to the factory pressure line (Item 4) that was removed from the fan motor.	<b>REV #</b>	1.0
		<b>PART KIT #</b>	Varies



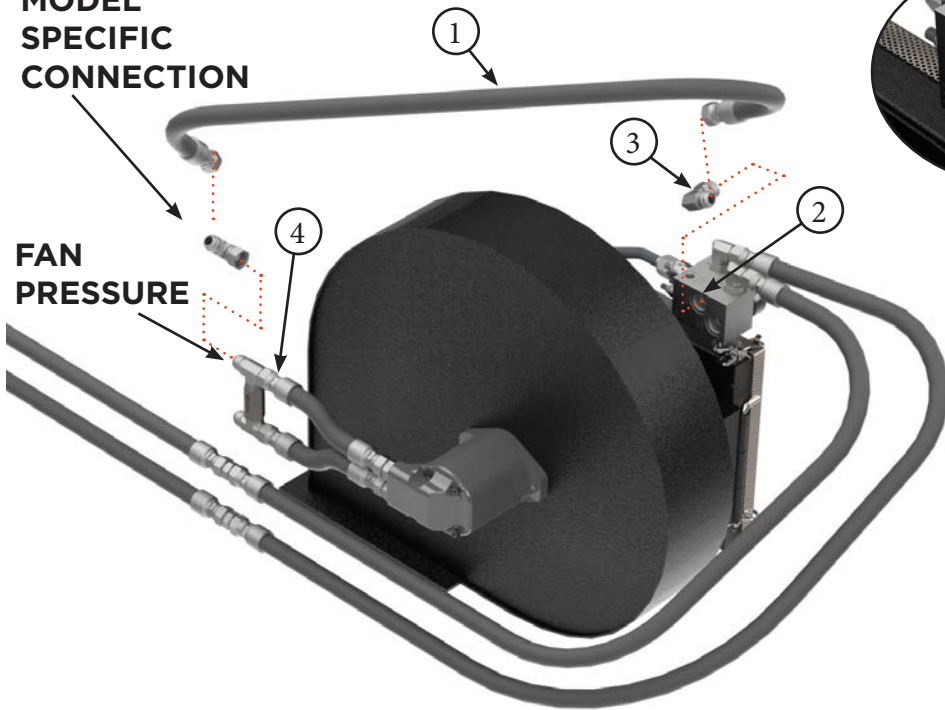
All of the hydraulic connections in Step 8 to 12 should only be hand tightened until all hoses and fittings are installed. Some connections may need to be rotated in order to install other components.

PARTS LIST		
Item	Part #	Description
1	9016	BPS 3/4" Hydraulic Hose - 60"
2	--	"TRACTOR RETURN" Port - BP System Manifold
3	7506	Fiting - Elbow - 3/4" JIC Male - 3/4" ORB Male

PARTS LIST		
Item	Part #	Description
4	--	Tractor Return Hydraulic Hose
5	7242	Fitting - Straight - 5/8" JIC M - 3/4" JIC M
6	7538	Fitting - Straight - 3/4" JIC M - 3/4" JIC M

<b>Title</b>	Airguard Blockage Prevention System Upgrade Instructions	<b>RELEASE DATE</b>	2023-03-01
<b>STEP</b>	10. Install supplied 3/4" hydraulic hose (Item 1) to the "FAN PRESSURE" port of the radiator block (Item 2) using adapter (Item 3). Use model specific connection as per instructions below to attach the other end of the hose to the factory fan pressure line/port (Item 4) coming from the fan motor.	<b>REV #</b>	1.0
		<b>PART KIT #</b>	Varies

**MODEL SPECIFIC CONNECTION**



**FAN PRESSURE PORT**

All of the hydraulic connections in Step 8 to 12 should only be hand tightened until all hoses and fittings are installed. Some connections may need to be rotated in order to install other components.

Remove Plastic Plugs prior to installation



**MODEL SPECIFIC CONNECTION**

Aircart Models:  
with 5/8" JIC Pressure Hose  
Connections



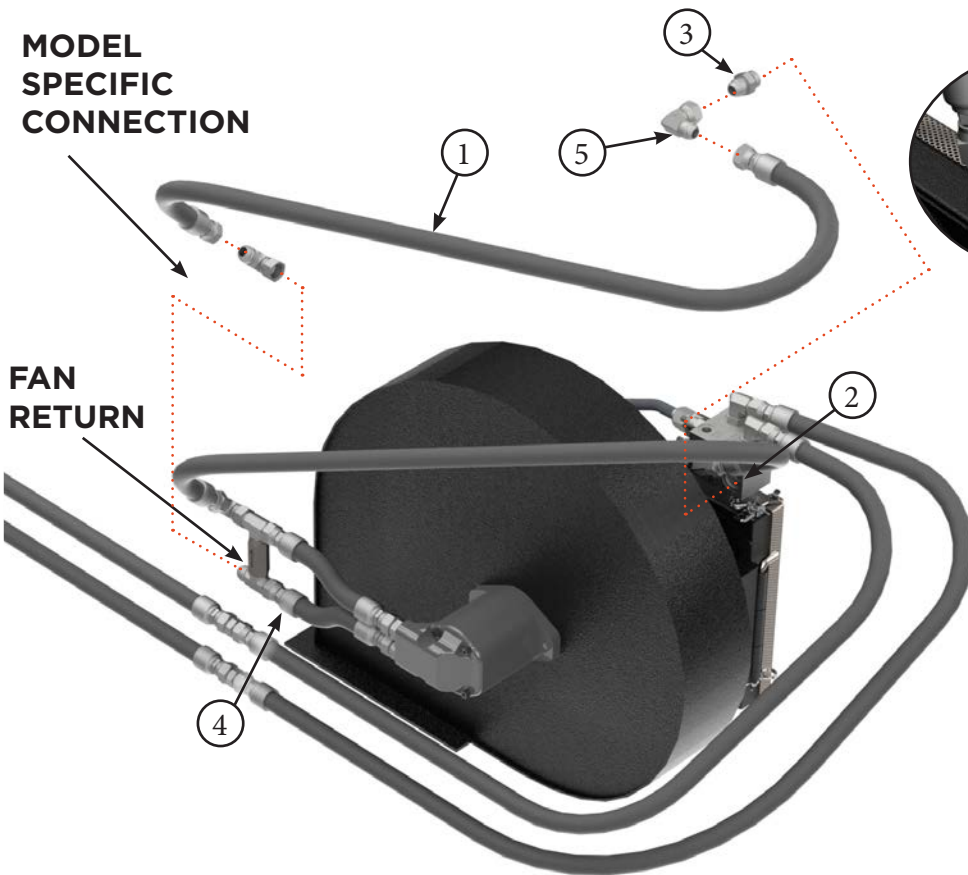
Aircart Models:  
with 3/4" JIC Pressure Hose  
Connections



PARTS LIST		
Item	Part #	Description
1	9016	BPS 3/4" Hydraulic Hose - 60"
2	--	"FAN PRESSURE" Port - BP System Manifold
3	7506	Fiting - Elbow - 3/4" JIC Male - 3/4" ORB Male

PARTS LIST		
Item	Part #	Description
4	--	Fan Supply (Pressure) Hydraulic Hose
5	7539	Fitting - Elbow - 3/4" JIC M - 3/4" JIC F
6	7226	Fitting - Straight - 3/4" JIC M - 5/8" JIC F

<b>Title</b>	Airguard Blockage Prevention System Upgrade Instructions	<b>RELEASE DATE</b>	2023-03-01
<b>STEP</b>	11. Install supplied 3/4" hydraulic hose (Item 1) to the "FAN RETURN" port of the radiator block (Item 2) using adapters (Item 3 & 5). Use model specific connection as per instructions below to attach the other end of the hose to the factory fan return line/port (Item 4) coming from the fan motor.	<b>REV #</b>	1.0
		<b>PART KIT #</b>	Varies



**MODEL SPECIFIC CONNECTION**

**FAN RETURN**

**FAN RETURN PORT**

All of the hydraulic connections in Step 8 to 12 should only be hand tightened until all hoses and fittings are installed. Some connections may need to be rotated in order to install other components.

Remove Plastic Plugs prior to installation



**MODEL SPECIFIC CONNECTION**

Aircart Models:  
with 5/8" JIC Pressure Hose  
Connections



Aircart Models:  
with 3/4" JIC Pressure Hose  
Connections

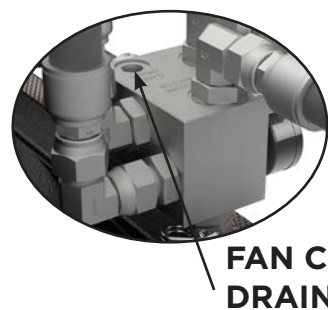
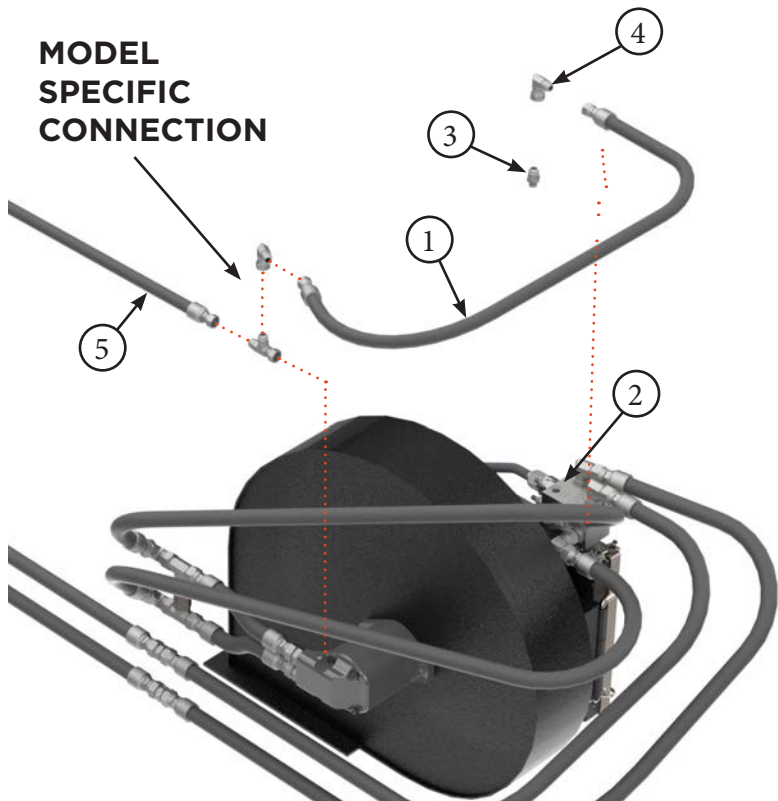


PARTS LIST		
Item	Part #	Description
1	9016	BPS 3/4" Hydraulic Hose - 60"
2	--	"FAN RETURN" Port - BP System Manifold
3	7543	Fitting - Straight - 3/4" JIC Male - 3/4" ORB Male

PARTS LIST		
Item	Part #	Description
4	--	Fan Return Hydraulic Hose
5	7539	Fitting - Elbow - 3/4" JIC M - 3/4" JIC F
6	7226	Fitting - Straight - 3/4" JIC M - 5/8" JIC F



<b>Title</b>	Airguard Blockage Prevention System Upgrade Instructions	<b>RELEASE DATE</b>	2023-03-01
<b>STEP</b>	12. Install supplied 1/2" hydraulic hose (Item 1) to the "CASE DRAIN" port of the radiator block (Item 2) using adapters (Item 3 & 4). and to the fan motor case drain line (Item 5). Use model specific connection as per instructions below to attach the other end of the hose to the factory fan case drain line/port (Item 5) coming from the fan motor.	<b>REV #</b>	1.0
		<b>PART KIT #</b>	Varies



All of the hydraulic connections in Step 8 to 12 should only be hand tightened until all hoses and fittings are installed. Some connections may need to be rotated in order to install other components.

Remove Plastic Plugs prior to installation



**MODEL SPECIFIC CONNECTION**

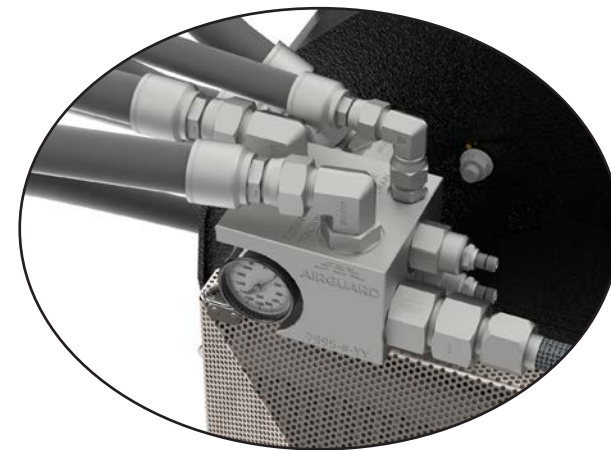
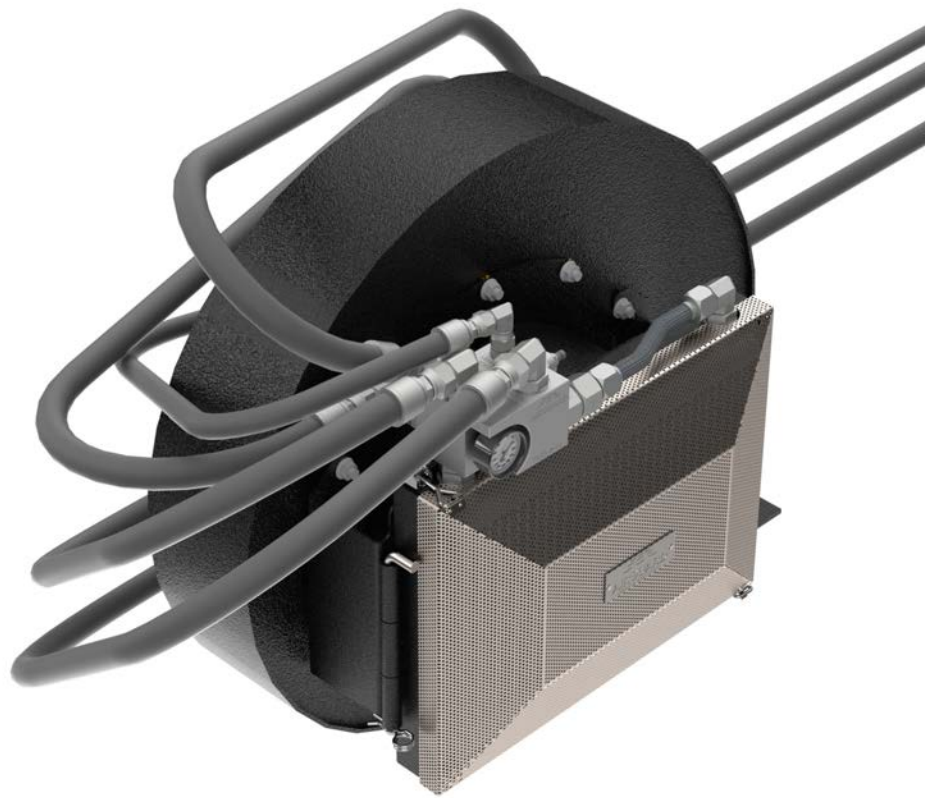
Aircart Models:  
with 1/2" JIC Case Drain  
Hose Connections

Aircart Models:  
with 3/8" JIC Case Drain  
Hose Connections

PARTS LIST		
Item	Part #	Description
1	7267	BPS 1/2" Hydraulic Hose - 60"
2	--	"FAN CASE DRAIN" Port - BP System Manifold
3	7264	Fitting - Straight - 1/2" JIC Male - 3/8" ORB Male
4	7686	Fiting - Elbow - 1/2" JIC M - 1/2" JIC F

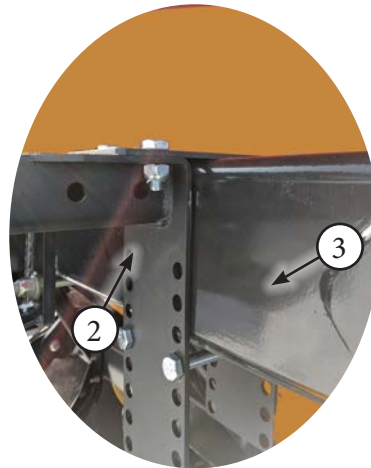
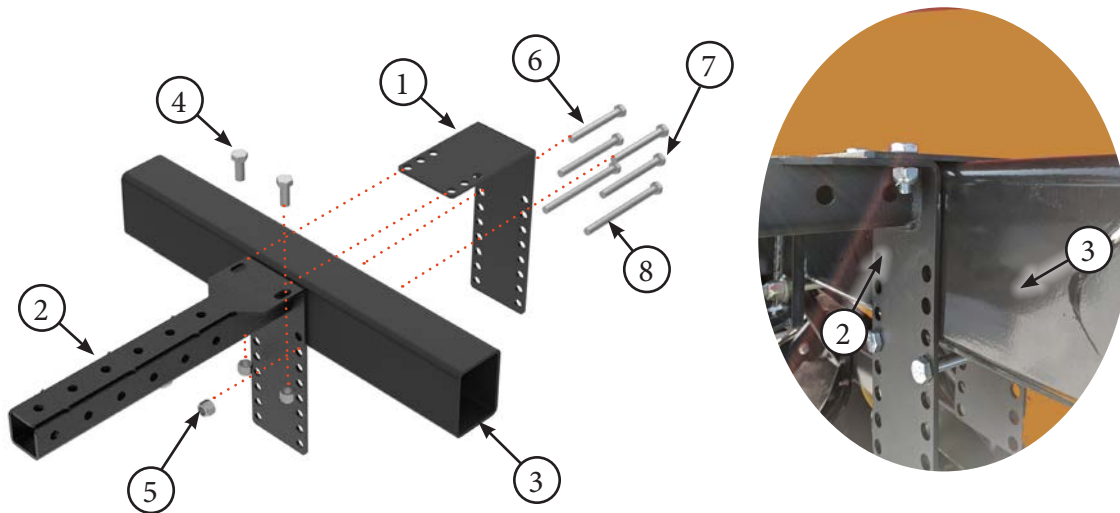
PARTS LIST		
Item	Part #	Description
5	--	Fan Case Drain Hydraulic Hose
6	7263	Fitting - Tee - 1/2" JIC M - M - F
7	7294	Fitting - Straight - 1/2" JIC M - 3/8" JIC F
8	7293	Fitting - Tee - 3/8" JIC M - M - F

<b>Title</b>	Airguard Blockage Prevention System Upgrade Instructions	<b>RELEASE DATE</b>	2023-03-01
<b>STEP</b>	13. Complete the hydraulic installation by ensuring that all connections made in Step 8 to 12 are tightened. Position/Routing of hydraulic hoses may vary to suit each specific machine installation. Zip tie hoses to reduce wear and ensure tidy installation.	<b>REV #</b>	1.0
		<b>PART KIT #</b>	Varies



COMPLETED INSTALLATION WITH NO SNORKEL

<b>Title</b>	Airguard Blockage Prevention System Upgrade Instructions	<b>RELEASE DATE</b>	2023-01-01
<b>STEP</b>	14. Install the brackets (Item 1 & 2) onto Aircart HSS Frame (Item 3) using supplied hardware. Use 12mm x 30mm (Item 4) and 12mm lock nuts (Item 5) for top connection. Use 12mm x 110mm-160mm (Item 6, 7 or 8) and 12mm lock nuts (Item 5) for bottom connection. Bracket is designed to fit HSS Beams 3”-5” x 3”-10” in vertical or horizontal mount positions.	<b>REV #</b>	1.0
		<b>PART KIT #</b>	Varies

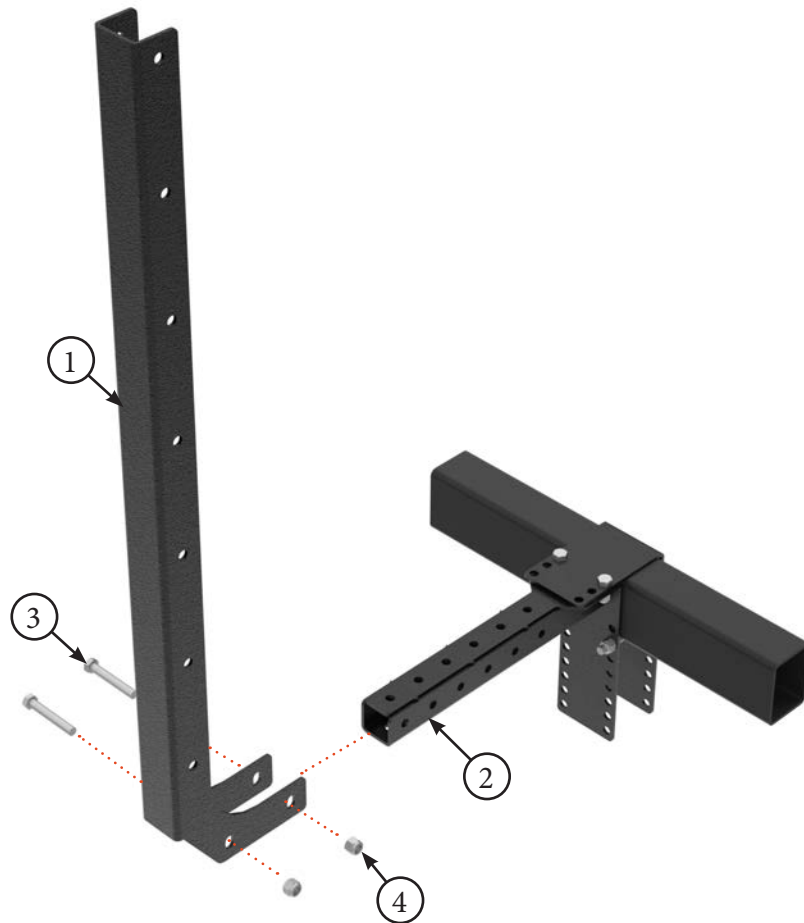


Tow Behind

PARTS LIST		
Item	Part #	Description
1	7869	Adjustable HSS Backing Plate
2	7873	Adjustable HSS Bracket Assembly
3	--	Aircart HSS Frame
4	7861	Hex Bolt, 12mm x 30mm

PARTS LIST		
Item	Part #	Description
5	7669	Lock Nut, 12mm
6	7862	Hex Bolt, 12mm x 110mm
7	7863	Hex Bolt, 12mm x 130mm
8	7864	Hex Bolt, 12mm x 160mm

<b>Title</b>	Airguard Blockage Prevention System Upgrade Instructions	<b>RELEASE DATE</b>	2023-03-01
<b>STEP</b>	15. Mount outer vertical channel (Item 1) to Mount Bracket (Item 2) using supplied 12mm x 80mm Bolts (Item 3) and 12mm lock nuts (Item 4). For C650 and C850 Aircart installations, the vertical channel (Item 1) can be installed in either direction depending on where there is room to fit the snorkel kit.	<b>REV #</b>	1.0
		<b>PART KIT #</b>	Varies

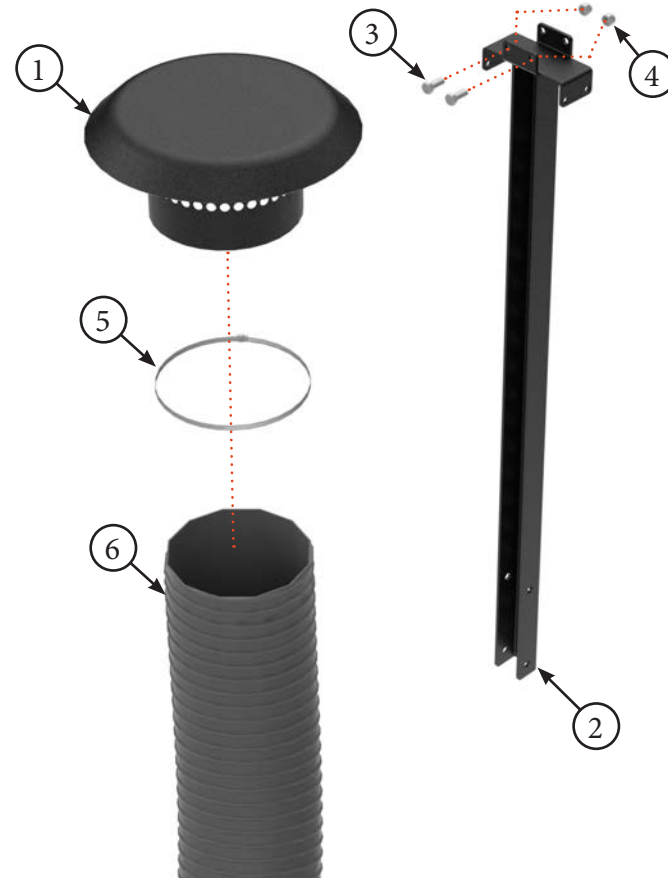


PARTS LIST		
Item	Part #	Description
1	7865	Outer Vertical Channel
2	--	Mount Bracket

PARTS LIST		
Item	Part #	Description
3	7859	Hex Bolt, 12mm x 80mm
4	7669	Lock Nut, 12mm



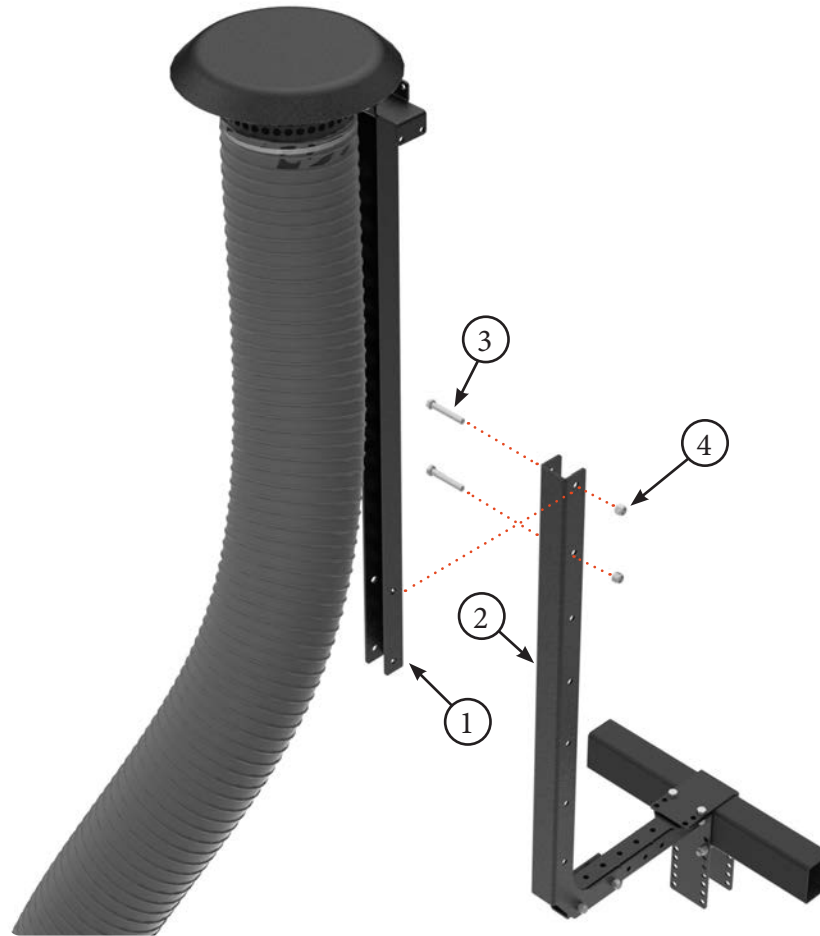
<b>Title</b>	Airguard Blockage Prevention System Upgrade Instructions	<b>RELEASE DATE</b>	2023-03-01
<b>STEP</b>	16. Attach air intakes (Item 1) to upper vertical channel (Item 2) using supplied 10mm x 25mm Bolts (Item 3) and 10mm lock nuts (Item 4). A maximum of 4 intakes can be mounted. Use bridge clamp (Item 5) to attach 8” flex hose (Item 6) to air intake (Item 1).	<b>REV #</b>	1.0
		<b>PART KIT #</b>	Varies



PARTS LIST		
Item	Part #	Description
1	7576	Air Intake Bracket
2	7868	Upper Vertical Channel
3	7515	Hex Bolt, 10mm x 25mm

PARTS LIST		
Item	Part #	Description
4	7516	Lock Nut, 10mm
5	7578	Bridge Clamp, 8”
6	7572	Flexible Snorkel Hose - 8”

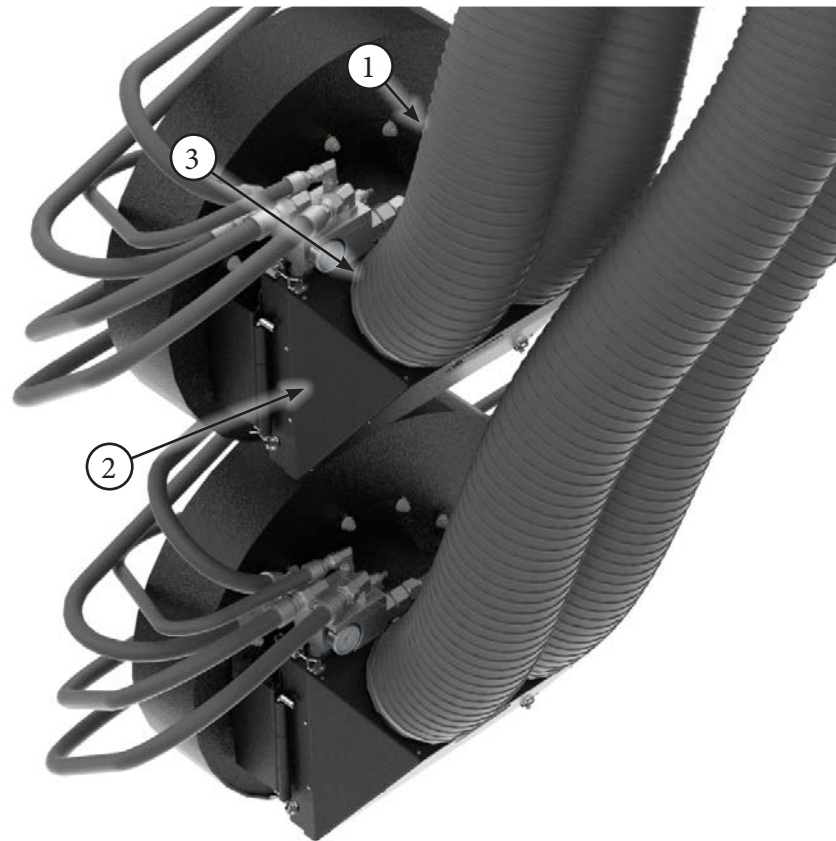
<b>Title</b>	Airguard Blockage Prevention System Upgrade Instructions	<b>RELEASE DATE</b>	2023-03-01
<b>STEP</b>	17. Determine desired height of air intakes and secure upper vertical channel (Item 1) to lower vertical channel (Item 2) at that location. Use supplied 12mm x 80mm Bolts (Item 3) and 12mm lock nuts (Item 4).	<b>REV #</b>	1.0
		<b>PART KIT #</b>	Varies



PARTS LIST		
Item	Part #	Description
1	7868	Upper Vertical Channel
2	7865	Lower Vertical Channel

PARTS LIST		
Item	Part #	Description
3	7859	Hex Bolt, 12mm x 80mm
4	7669	Lock Nut, 12mm

<b>Title</b>	Airguard Blockage Prevention System Upgrade Instructions	<b>RELEASE DATE</b>	2023-03-01
<b>STEP</b>	18. Attach 8” flex hose (Item 1) to snorkel housing (Item 2) using bridge clamp (Item 3). Zip tie 8” flex hoses to reduce wear and ensure tidy installation.	<b>REV #</b>	1.0
		<b>PART KIT #</b>	Varies

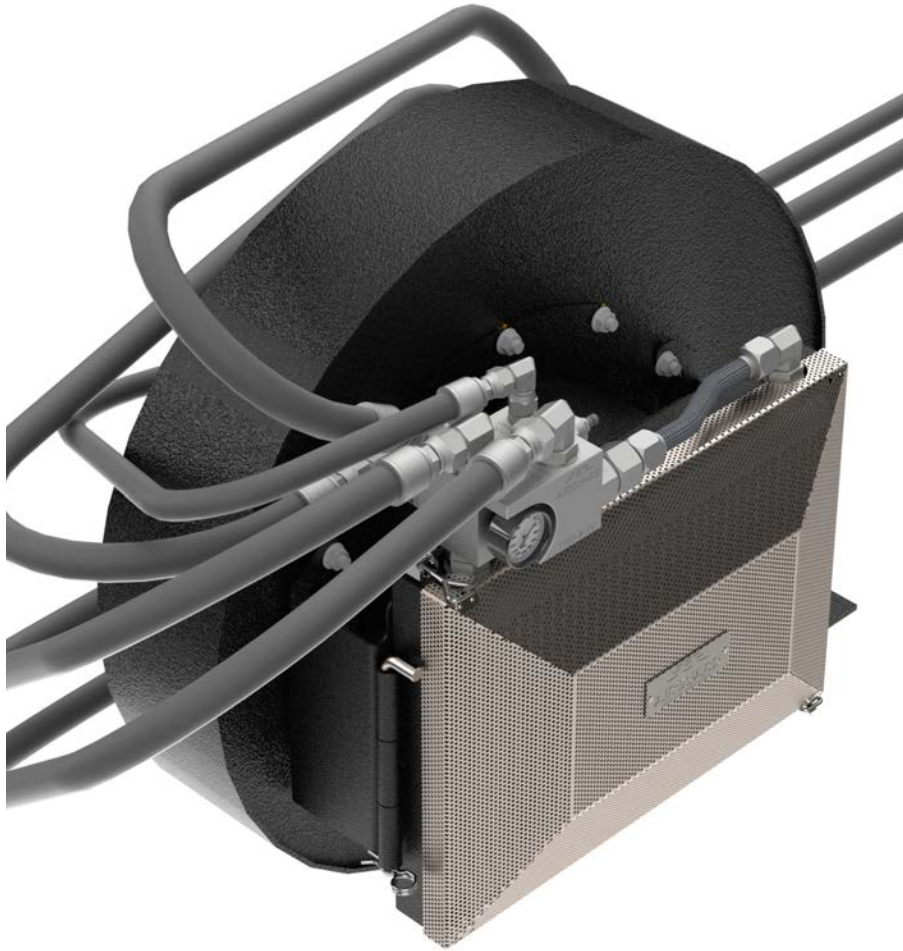


PARTS LIST		
Item	Part #	Description
1	7977	Snorkel Housing
2	7578	Bridge Clamp, 8”

PARTS LIST		
Item	Part #	Description
3	7572	Flexible Snorkel Hose - 8”

<b>Title</b>	Airguard Blockage Prevention System Upgrade Instructions	<b>RELEASE DATE</b>	2023-03-01
<b>STEP</b>	Installation is Completed. Ensure all hydraulic connections and bolts are tightened.	<b>REV #</b>	1.0
		<b>PART KIT #</b>	Varies

COMPLETED INSTALLATION WITH NO SNORKEL



COMPLETED INSTALLATION WITH SNORKELS

