

PART KIT INSTALL INSTRUCTIONS

John Deere Aircarts

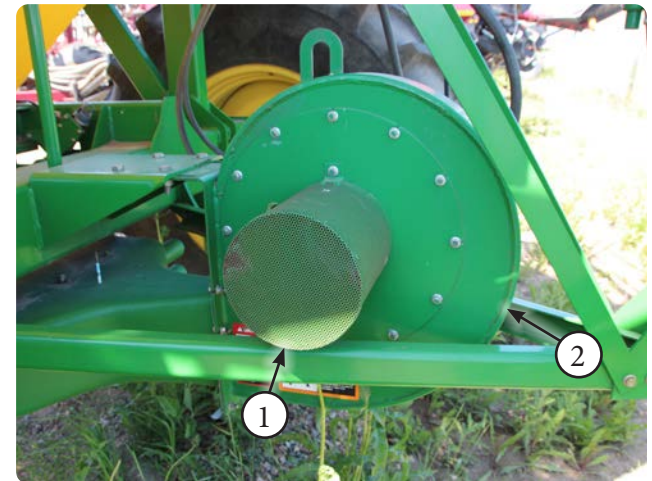
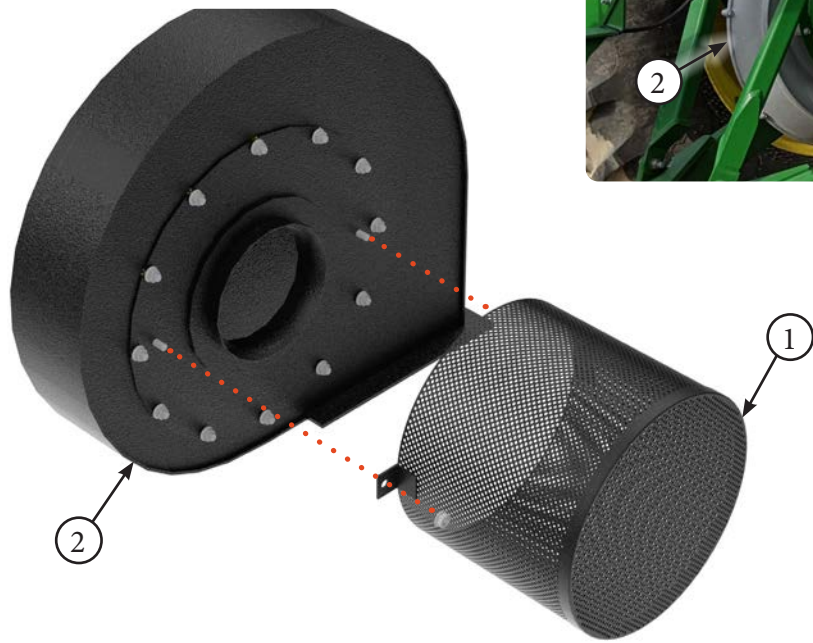
Part Kit #VARIES - Rev 1.0 - AIRGUARD - Blockage Prevention System

Release Date: 2023-03-01



**AIRGUARD**
SEEDING PRECISION

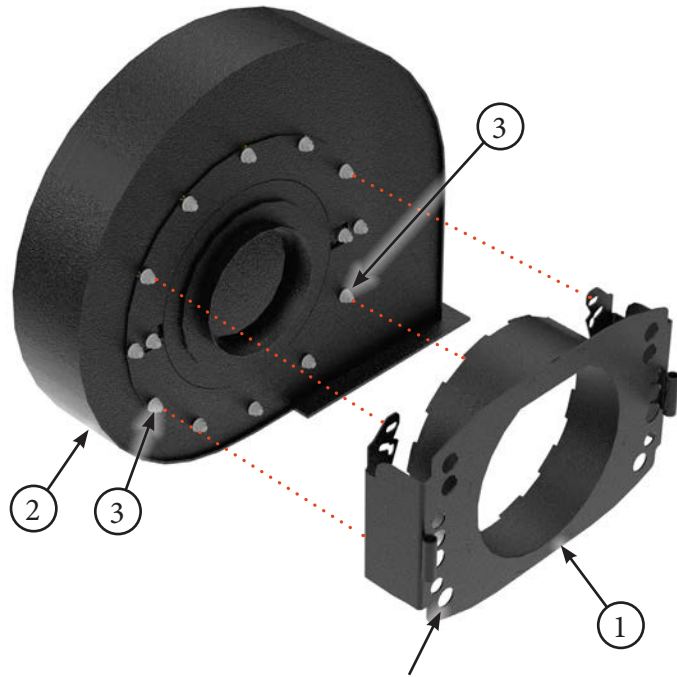
Title	Airguard Blockage Prevention System Upgrade Instructions	RELEASE DATE	2023-03-01
STEP	1. Remove existing fan screen (Item 1) from the fan housing (Item 2).	REV #	1.0
		PART KIT #	Varies



PARTS LIST		
Item	Part #	Description
1	--	AA62864 Fan Screen /or/ AA50418 Fan Screen /or/ AA88073 Fan Screen

PARTS LIST		
Item	Part #	Description
2	--	AA62864 Fan Housing /or/ AA50418 Fan Housing /or/ AA88073 Fan Housing

Title	Airguard Blockage Prevention System Upgrade Instructions	RELEASE DATE	2023-03-01
STEP	2. Install supplied mounting bracket (Item 1) to fan housing (Item 2) using existing bolts and nuts (Item 3). Angle mount bracket in a position that ensures the supplied hydraulic hoses reach the fan motor. Additional holes in bracket face (Item 4) are for easy access with an impact driver. Bracket may look different than shown below.	REV #	1.0
		PART KIT #	Varies



Additional holes in bracket face are for easy access with an impact driver.

Use Kit # 9530 for the following Models:

- 1900 with AA62864 Cast Aluminum Fans
- 1910 with AA62864 Cast Aluminum Fans



Use Kit # 9520 for the following Models:

- 1900 with AA50418 Painted Green Fans
- 1910 with AA50418 Painted Green Fans



Use Kit # 9570 for the following Models:

- 1910 with Air Power 2 Fans
- C650
- C850

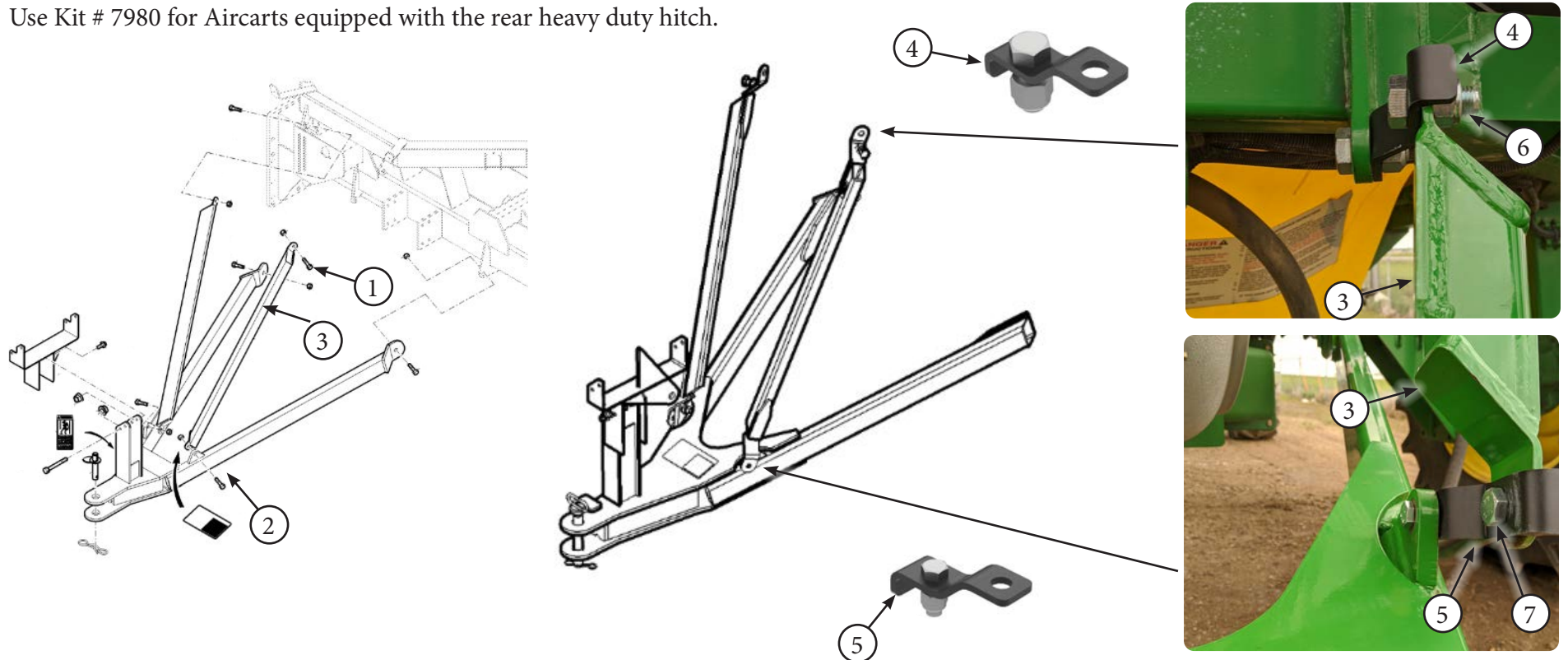


PARTS LIST		
Item	Part #	Description
1	7555 /or/ 7554 /or/ 7639	9530 Bracket /or/ 9520 Bracket /or/ 9570 Bracket
2	--	Fan Housing

PARTS LIST		
Item	Part #	Description
3	--	M8 x 16 Screw /or/ M10 Nut /or/ M12 x 20 Screw

Title	Airguard Blockage Prevention System Upgrade Instructions	RELEASE DATE	2023-03-01
STEP	3. For Aircarts with Heavy Duty Hitches, use kit 7980 to move the right hitch support bracket (Item 3). Remove existing bolts and nuts (Item 1 & 2) from hitch cross member (Item 3). Attach the bracket with the larger holes (Item 4) to the top frame mount point using the existing hardware (Item 1). Attach the bracket with the smaller holes (Item 5) to the bottom hitch mount point using the existing hardware (Item 2). Reattach the hitch support bracket (Item 3) using the supplied hardware (Item 6 & 7).	REV #	1.0
		PART KIT #	Varies

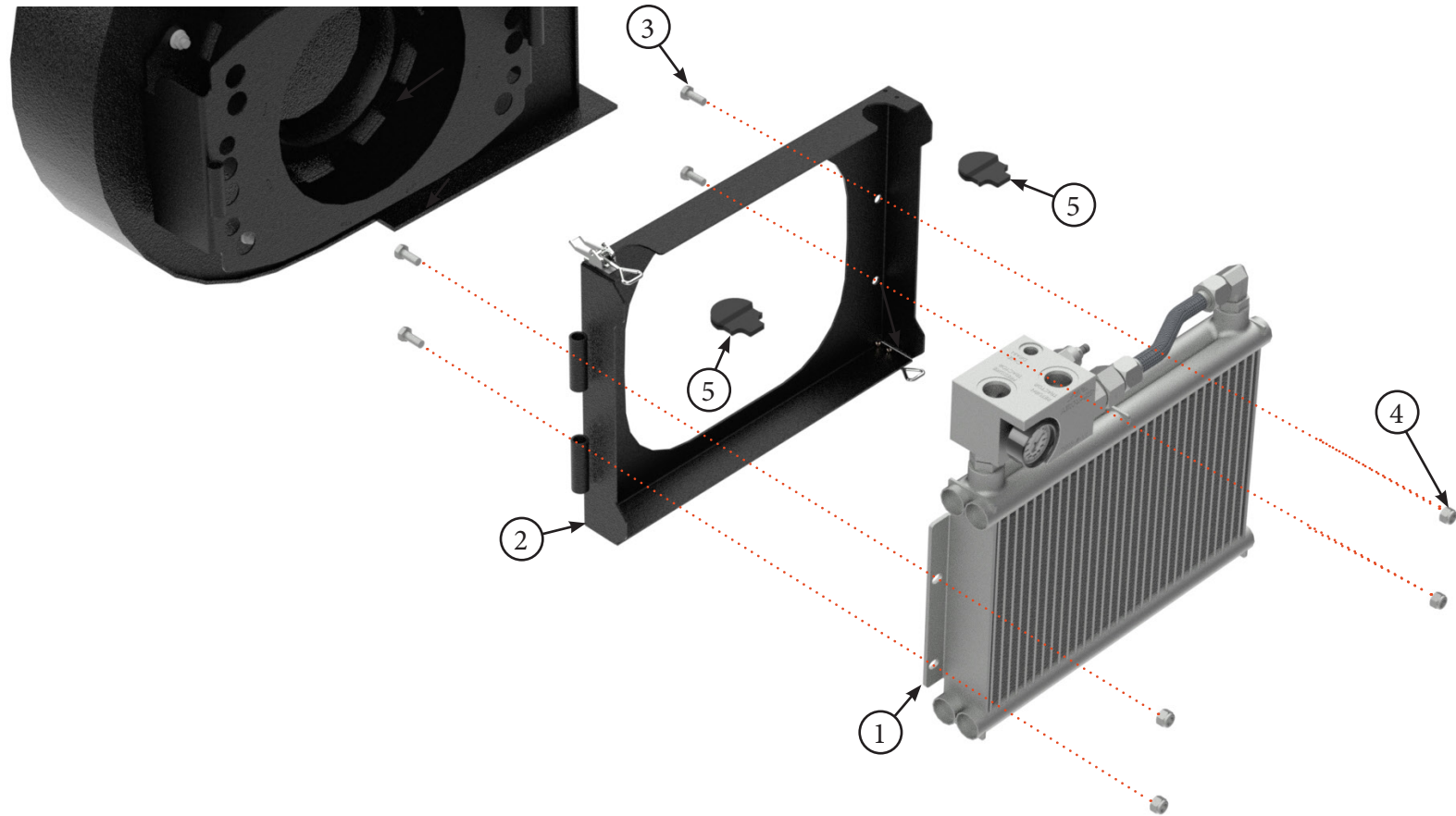
Use Kit # 7980 for Aircarts equipped with the rear heavy duty hitch.



PARTS LIST		
Item	Part #	Description
1	--	M20 x 40 Cap Screw
2	--	M16 x 50 Cap Screw
3	--	Hitch Support Bracket
4	7978	John Deere HD Hitch Plate Top

PARTS LIST		
Item	Part #	Description
5	7979	John Deere HD Hitch Plate Bottom
6	7982 / 7984	20mm x 50mm Hex Bolt and 20mm Lock Nut
7	7981 / 7983	14mm x 40mm Hex Bolt and 14mm Lock Nut

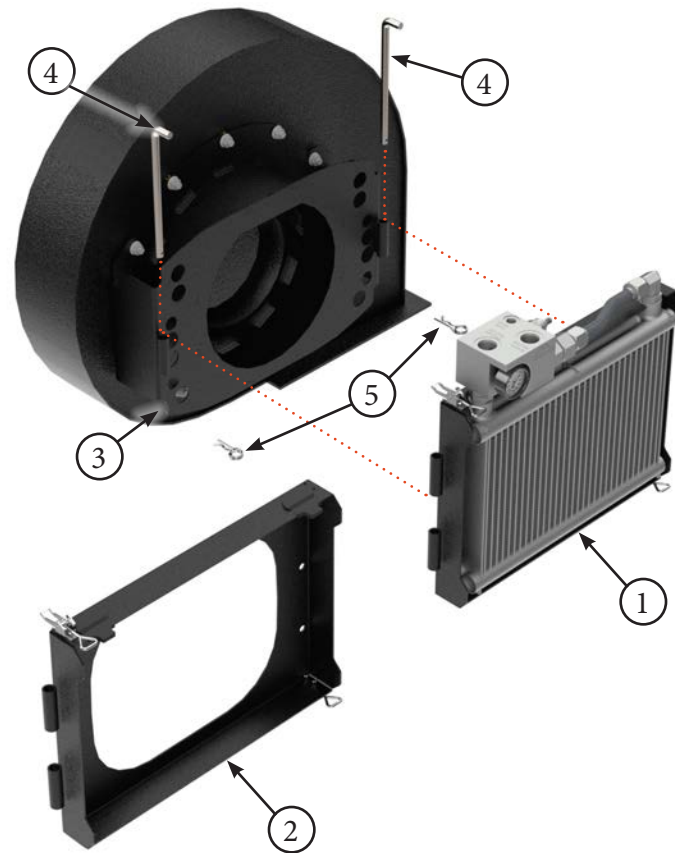
Title	Airguard Blockage Prevention System Upgrade Instructions	RELEASE DATE	2023-03-01
STEP	4. Bolt Oil Cooler/Radiator Assembly (Item 1) to BP System Bracket (Item 2) using supplied 10mm x 25mm Bolts (Item 3) and 10mm lock nuts (Item 4). If only installing snorkel kit without Radiator, then install plastic plugs (Item 5) onto BP System Bracket (Item 2). This step of the installation may already be completed at the Airguard factory prior to shipping.	REV #	1.0
		PART KIT #	Varies



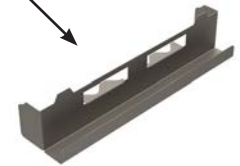
PARTS LIST		
Item	Part #	Description
1	7996	Oil Cooler and Manifold Assembly
2	7546	Main BP System Bracket
3	7515	Hex Bolt, 10mm x 25mm Grade 8.8

PARTS LIST		
Item	Part #	Description
4	7516	Lock Nut, 10mm Grade 8.8
5	7683	BP System Bracket Plug

Title	Airguard Blockage Prevention System Upgrade Instructions	RELEASE DATE	2023-03-01
STEP	5. Remove the packaging materials prior to the assembly of these brackets. Mount BP System Main Bracket with Oil Cooler (Item 1) or Main Bracket with Plugs (Item 2) to Fan bracket (Item 3) using supplied pivot pins (Item 4). Secure in place with 3.5mm cotter pins (Item 5).	REV #	1.0
		PART KIT #	Varies



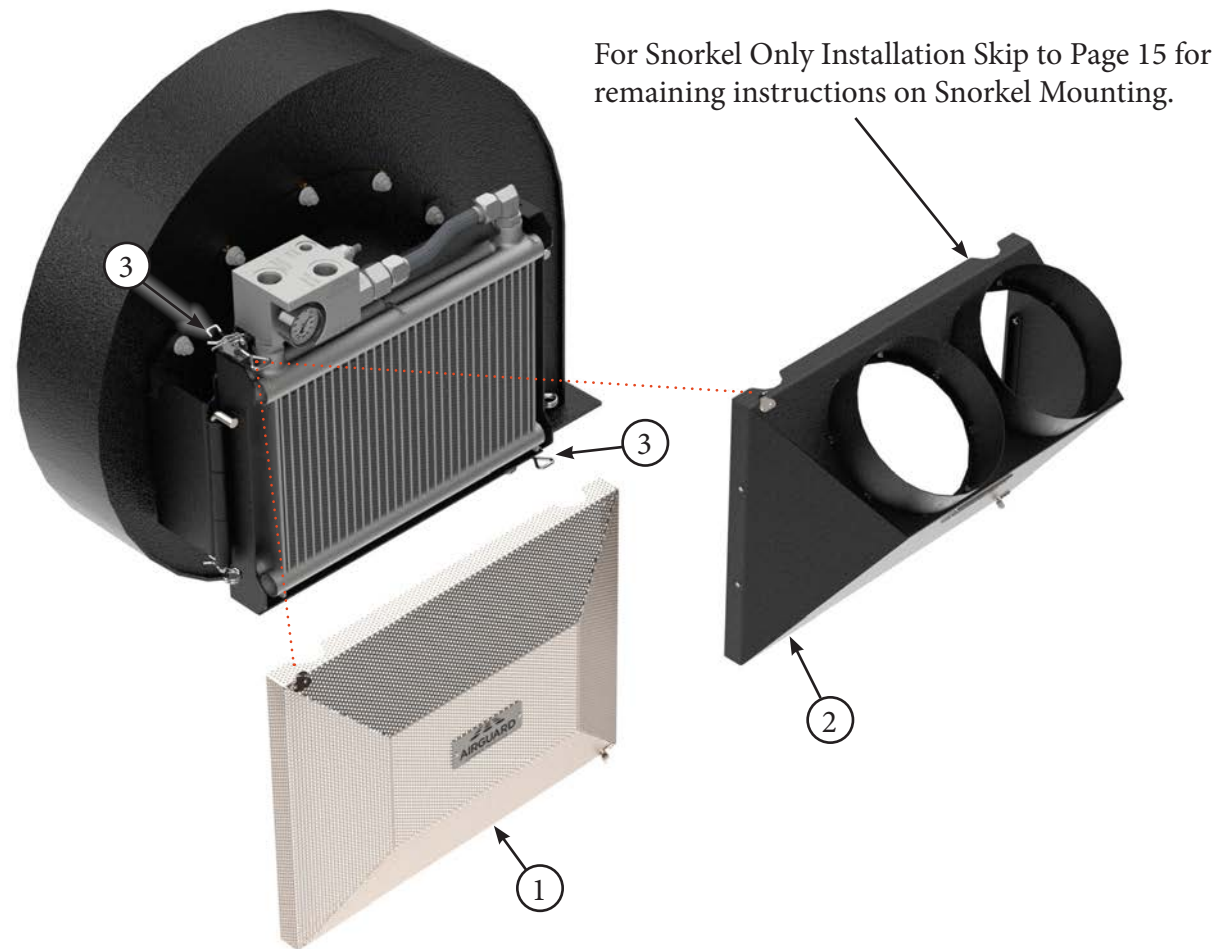
Remove Packaging material and discard, prior to install.



PARTS LIST		
Item	Part #	Description
1	--	BP System Main Bracket with Oil Cooler
2	--	BP System Main Bracket with Plugs for Snorkel Only Install
3	--	Fan Bracket

PARTS LIST		
Item	Part #	Description
4	7502	Pivot Pin For BP Systems
5	7513	3.5mm Cotter Pin

Title	Airguard Blockage Prevention System Upgrade Instructions	RELEASE DATE	2023-03-01
STEP	6. Attach Mesh Screen (Item 1) or Snorkel Housing (Item 2) to front of BPS using latches (Item 3).	REV #	1.0
		PART KIT #	Varies



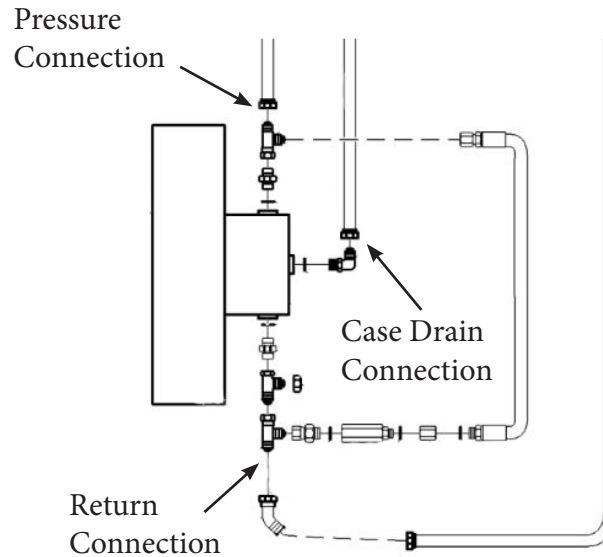
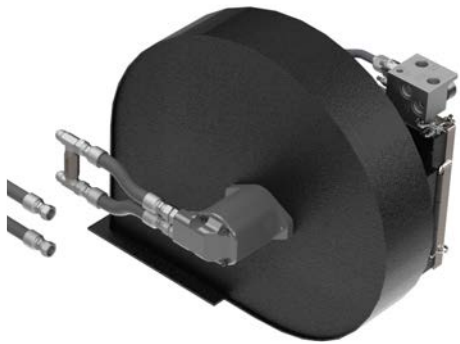
PARTS LIST		
Item	Part #	Description
1	7568	Mesh Screen
2	7977	Snorkel Housing

PARTS LIST		
Item	Part #	Description
3	--	Overcenter Latch

Title	Airguard Blockage Prevention System Upgrade Instructions	RELEASE DATE	2023-03-01
STEP	7. Identify the model of aircart that the Airguard Blockage Prevention System is being installed on. For models with external check valves, the connections must be made on the tractor side of the hydraulic circuit as shown below.	REV #	1.0
		PART KIT #	Varies

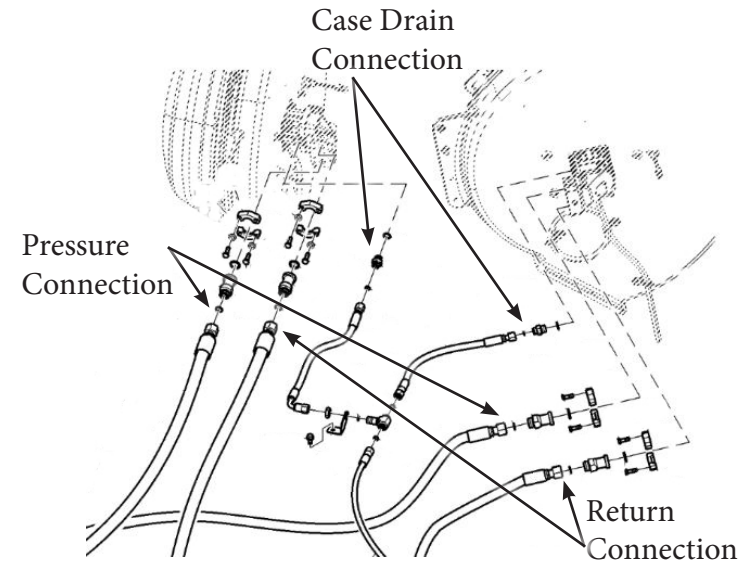
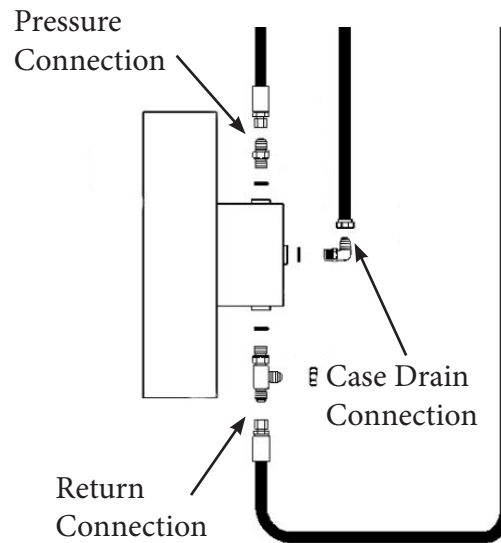
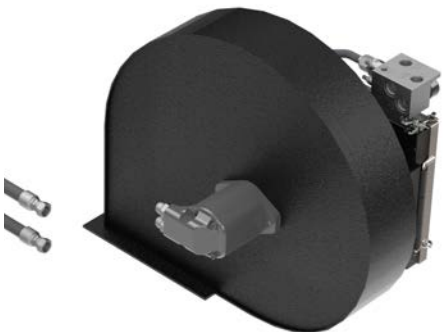
Installation with External Check Valve:

Aircart Models:
1900
1910

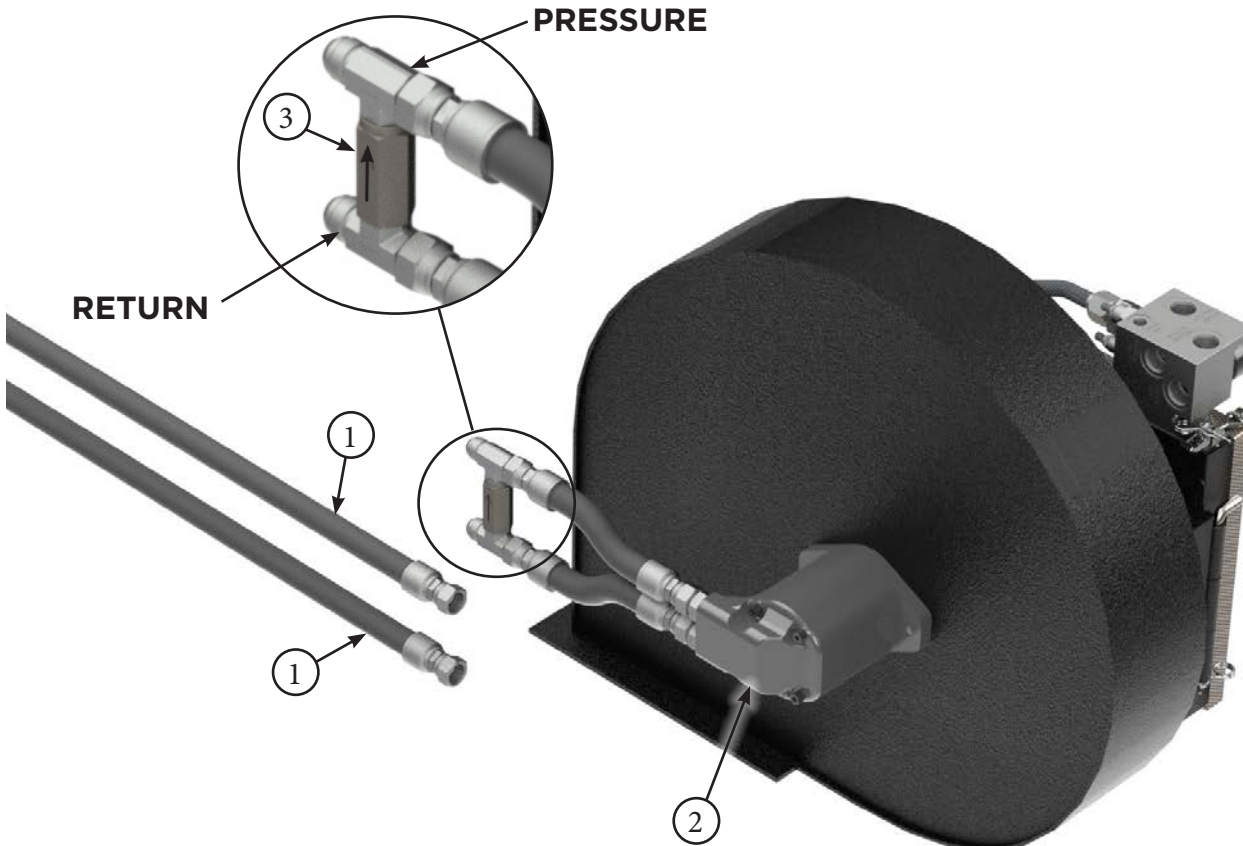


Installation with Internal Check Valve:

Aircart Models:
1910
C650
C850



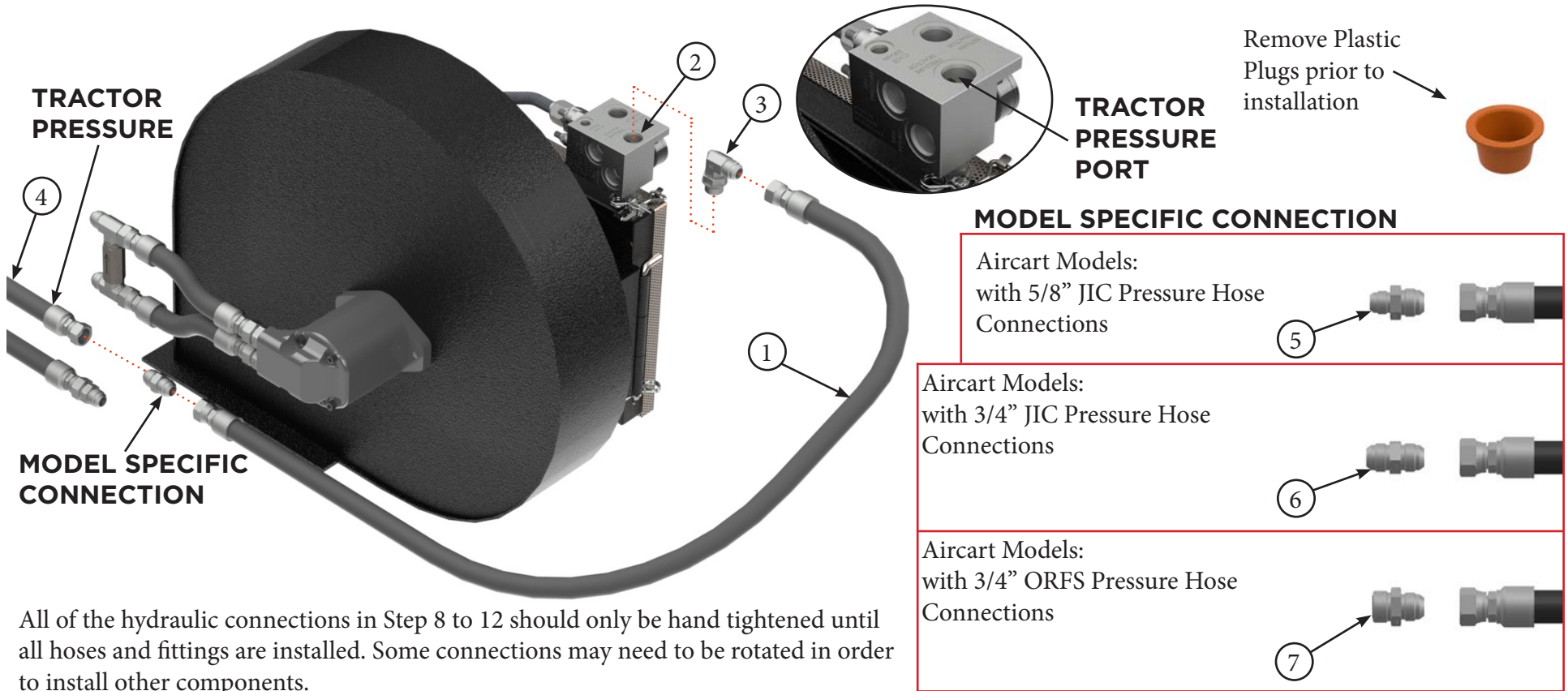
Title	Airguard Blockage Prevention System Upgrade Instructions	RELEASE DATE	2023-03-01
STEP	8. Remove factory hoses (Item 1) from side of fan motor (Item 2). Remove the hoses (Item 1) on the tractor side of the external check valve, as shown below. Identify which hose is the pressure side of the circuit. On newer models there is a shut off valve on the pressure side of the circuit. The external check valve will have a directional arrow that always points to the pressure side. If you do not have an external check valve you will attach directly to the fan motor.	REV #	1.0
		PART KIT #	Varies



PARTS LIST		
Item	Part #	Description
1	--	Existing Hose from Tractor to Fan Motor
2	--	Hydraulic Motor

PARTS LIST		
Item	Part #	Description
3	--	External Check Valve

Title	Airguard Blockage Prevention System Upgrade Instructions	RELEASE DATE	2023-03-01
STEP	9. Hoses may be routed to suit your specific aircart installation. Install supplied 3/4" hydraulic hose (Item 1) to the "TRACTOR PRESSURE" port of the radiator block (Item 2), using adapter (Item 3) to make the connection. Use model specific connection as per instructions below to attach the other end of the hose to the factory pressure line (Item 4) that was removed from the fan motor.	REV #	1.0
		PART KIT #	Varies

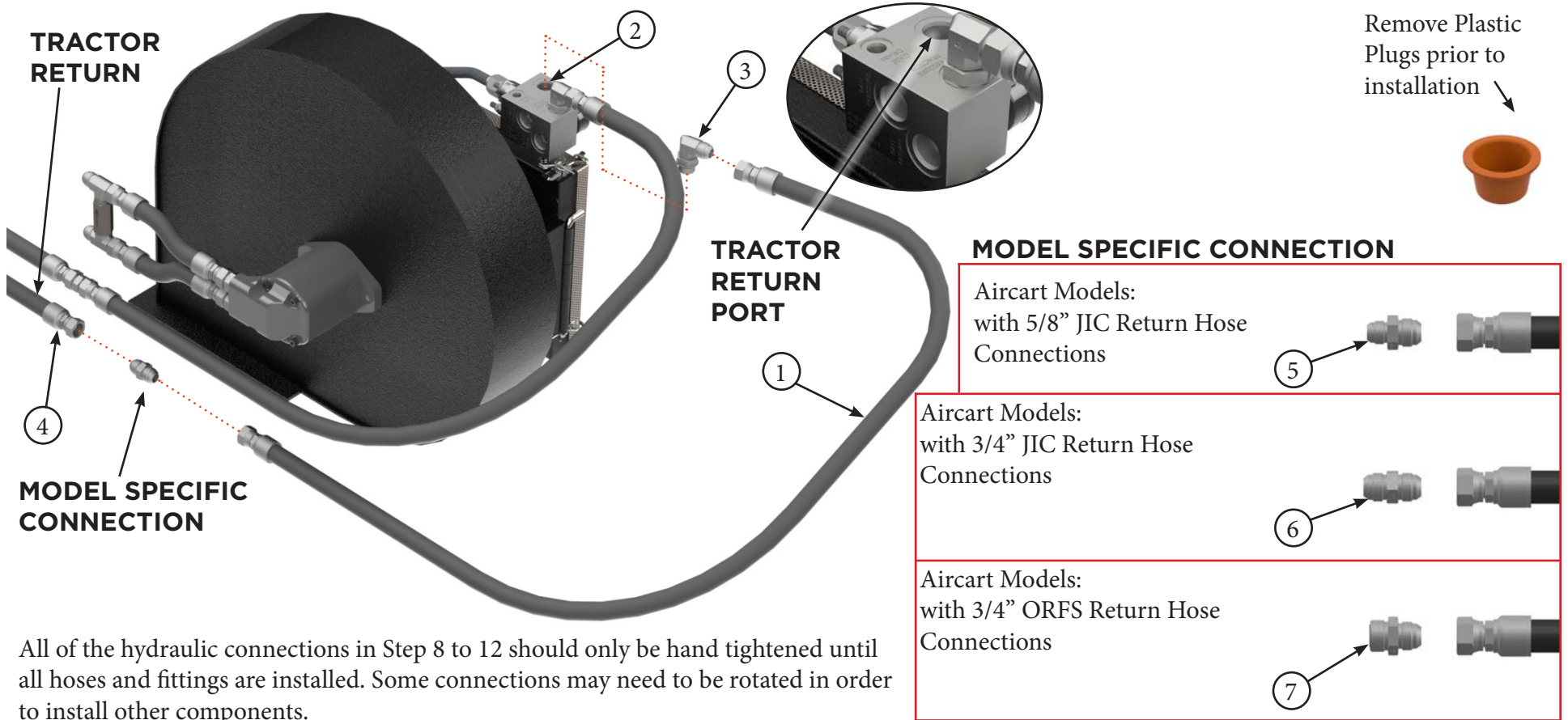


All of the hydraulic connections in Step 8 to 12 should only be hand tightened until all hoses and fittings are installed. Some connections may need to be rotated in order to install other components.

PARTS LIST		
Item	Part #	Description
1	9016	BPS 3/4" Hydraulic Hose - 60"
2	--	"TRACTOR PRESSURE" Port - BP System Manifold
3	7506	Fiting - Elbow - 3/4" JIC Male - 3/4" ORB Male
4	--	Tractor Supply (Pressure) Hydraulic Hose

PARTS LIST		
Item	Part #	Description
5	7242	Fitting - Straight - 5/8" JIC M - 3/4" JIC M
6	7538	Fitting - Straight - 3/4" JIC M - 3/4" JIC M
7	7209	Fitting - Straight - 3/4" JIC M - 3/4" ORFS M

Title	Airguard Blockage Prevention System Upgrade Instructions	RELEASE DATE	2023-03-01
STEP	10. Install supplied 3/4" hydraulic hose (Item 1) to the "TRACTOR RETURN" port of the radiator block (Item 2) using adapter (Item 3). Use model specific connection as per instructions below to attach the other end of the hose to the factory pressure line (Item 4) that was removed from the fan motor.	REV #	1.0
		PART KIT #	Varies



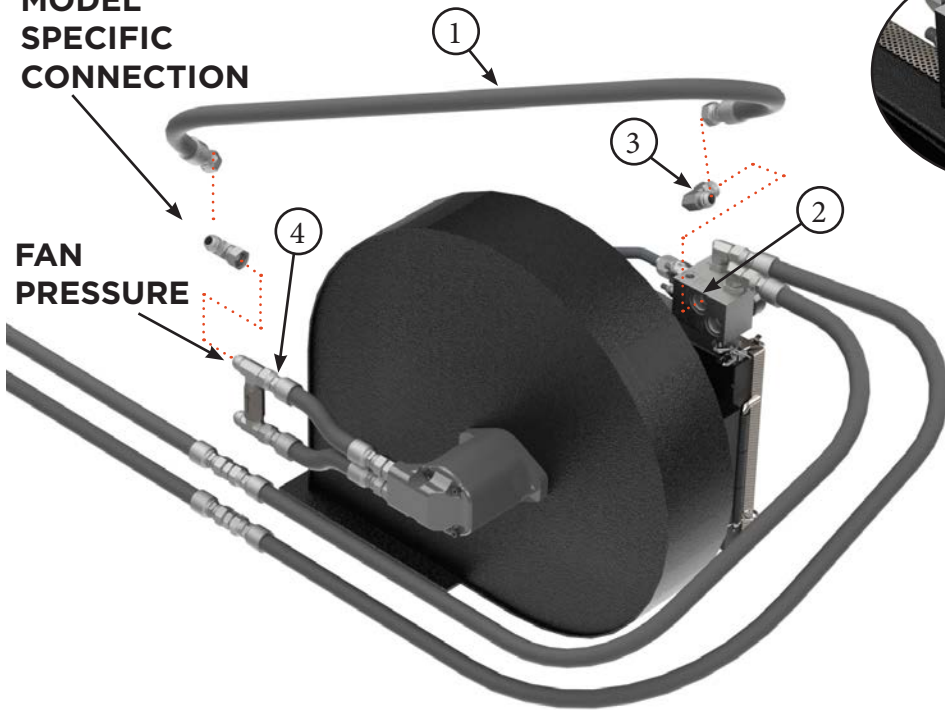
All of the hydraulic connections in Step 8 to 12 should only be hand tightened until all hoses and fittings are installed. Some connections may need to be rotated in order to install other components.

PARTS LIST		
Item	Part #	Description
1	9016	BPS 3/4" Hydraulic Hose - 60"
2	--	"TRACTOR RETURN" Port - BP System Manifold
3	7506	Fiting - Elbow - 3/4" JIC Male - 3/4" ORB Male
4	--	Tractor Return Hydraulic Hose

PARTS LIST		
Item	Part #	Description
5	7242	Fitting - Straight - 5/8" JIC M - 3/4" JIC M
6	7538	Fitting - Straight - 3/4" JIC M - 3/4" JIC M
7	7209	Fitting - Straight - 3/4" JIC M - 3/4" ORFS M

Title	Airguard Blockage Prevention System Upgrade Instructions	RELEASE DATE	2023-03-01
STEP	11. Install supplied 3/4" hydraulic hose (Item 1) to the "FAN PRESSURE" port of the radiator block (Item 2) using adapter (Item 3). Use model specific connection as per instructions below to attach the other end of the hose to the factory fan pressure line/ port (Item 4) coming from the fan motor.	REV #	1.0
		PART KIT #	Varies

MODEL SPECIFIC CONNECTION



FAN PRESSURE PORT

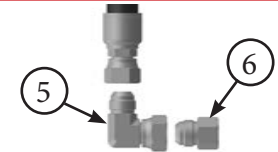
All of the hydraulic connections in Step 8 to 12 should only be hand tightened until all hoses and fittings are installed. Some connections may need to be rotated in order to install other components.

Remove Plastic Plugs prior to installation

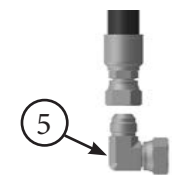


MODEL SPECIFIC CONNECTION

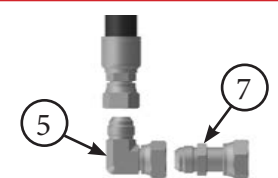
Aircart Models: with 5/8" JIC Pressure Hose Connections



Aircart Models: with 3/4" JIC Pressure Hose Connections



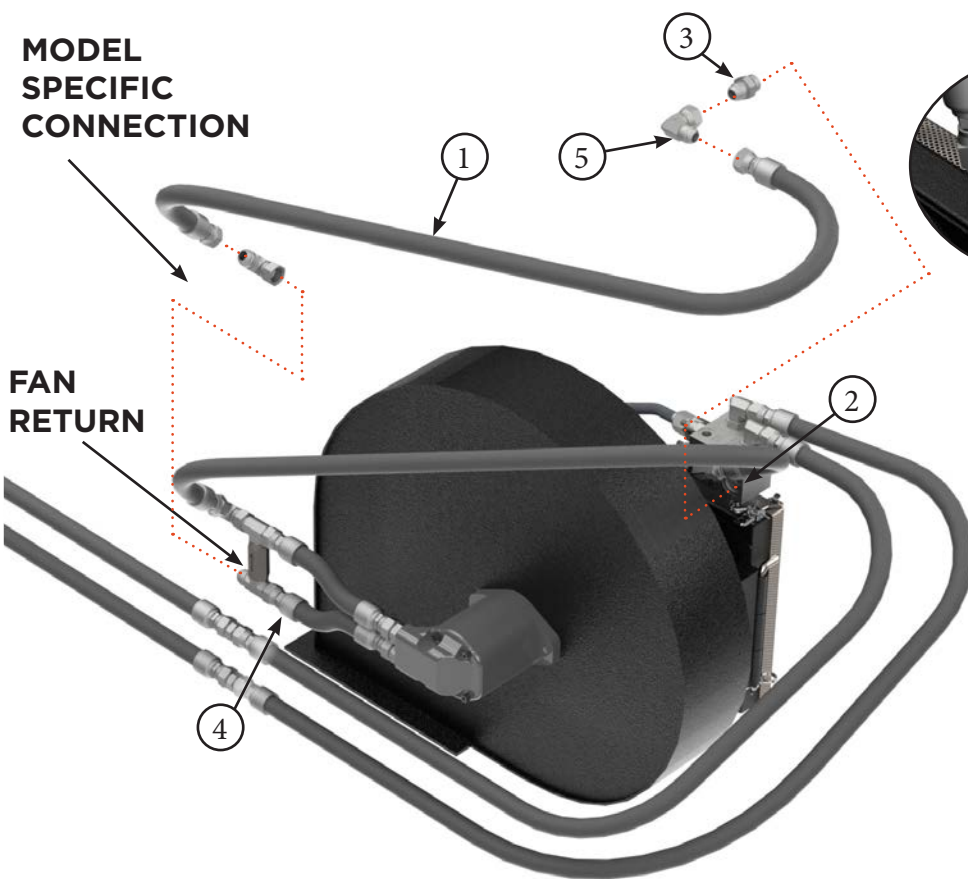
Aircart Models: with 3/4" ORFS Pressure Hose Connections



PARTS LIST		
Item	Part #	Description
1	9016	BPS 3/4" Hydraulic Hose - 60"
2	--	"FAN PRESSURE" Port - BP System Manifold
3	7506	Fiting - Elbow - 3/4" JIC Male - 3/4" ORB Male
4	--	Fan Supply (Pressure) Hydraulic Hose

PARTS LIST		
Item	Part #	Description
5	7539	Fitting - Elbow - 3/4" JIC M - 3/4" JIC F
6	7226	Fitting - Straight - 3/4" JIC M - 5/8" JIC F
7	7588	Fitting - Straight - 3/4" JIC M - 3/4" ORFS F

Title	Airguard Blockage Prevention System Upgrade Instructions	RELEASE DATE	2023-03-01
STEP	12. Install supplied 3/4" hydraulic hose (Item 1) to the "FAN RETURN" port of the radiator block (Item 2) using adapters (Item 3 & 5). Use model specific connection as per instructions below to attach the other end of the hose to the factory fan return line/port (Item 4) coming from the fan motor.	REV #	1.0
		PART KIT #	Varies



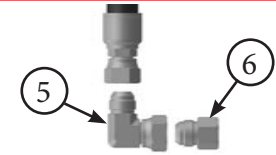
All of the hydraulic connections in Step 8 to 12 should only be hand tightened until all hoses and fittings are installed. Some connections may need to be rotated in order to install other components.

Remove Plastic Plugs prior to installation

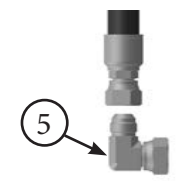


MODEL SPECIFIC CONNECTION

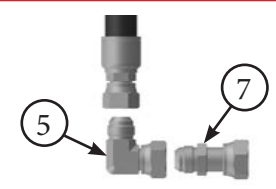
Aircart Models:
with 5/8" JIC Return Hose
Connections



Aircart Models:
with 3/4" JIC Return Hose
Connections



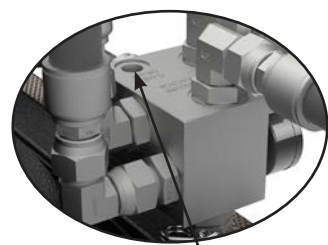
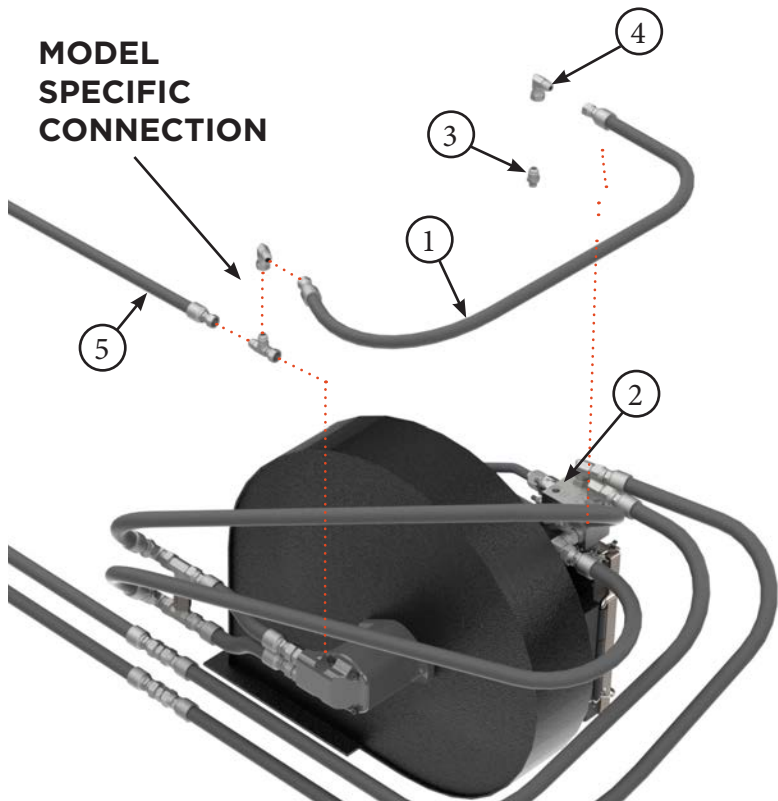
Aircart Models:
with 3/4" ORFS Return Hose
Connections



PARTS LIST		
Item	Part #	Description
1	9016	BPS 3/4" Hydraulic Hose - 60"
2	--	"FAN RETURN" Port - BP System Manifold
3	7543	Fitting - Straight - 3/4" JIC Male - 3/4" ORB Male
4	--	Fan Return Hydraulic Hose

PARTS LIST		
Item	Part #	Description
5	7539	Fitting - Elbow - 3/4" JIC M - 3/4" JIC F
6	7226	Fitting - Straight - 3/4" JIC M - 5/8" JIC F
7	7588	Fitting - Straight - 3/4" JIC M - 3/4" ORFS F

Title	Airguard Blockage Prevention System Upgrade Instructions	RELEASE DATE	2023-03-01
STEP	13. Install supplied 1/2" hydraulic hose (Item 1) to the "CASE DRAIN" port of the radiator block (Item 2) using adapters (Item 3 & 4). and to the fan motor case drain line (Item 5). Use model specific connection as per instructions below to attach the other end of the hose to the factory fan case drain line/port (Item 5) coming from the fan motor.	REV #	1.0
		PART KIT #	Varies



FAN CASE DRAIN PORT

All of the hydraulic connections in Step 8 to 12 should only be hand tightened until all hoses and fittings are installed. Some connections may need to be rotated in order to install other components.

Remove Plastic Plugs prior to installation



MODEL SPECIFIC CONNECTION

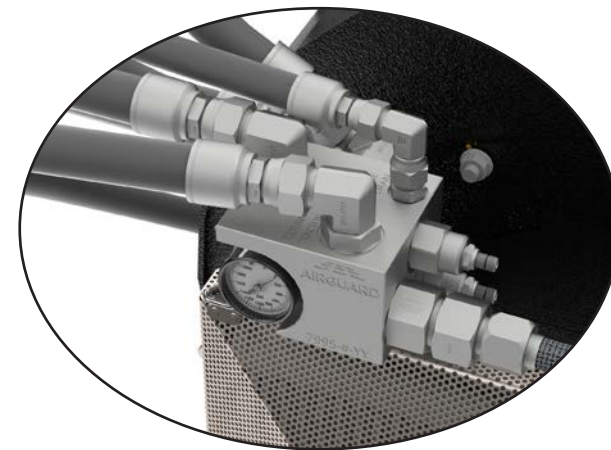
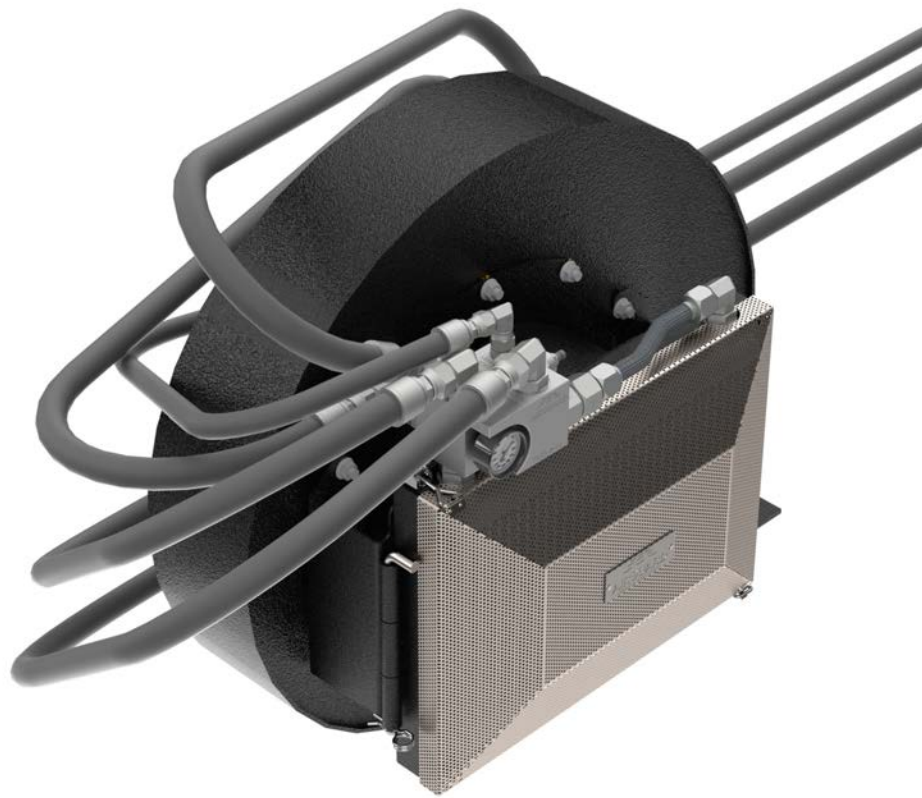
Aircart Models:
with 1/2" JIC Case Drain
Hose Connections

Aircart Models:
with 1/2" ORFS Case Drain
Hose Connections

PARTS LIST		
Item	Part #	Description
1	7267	BPS 1/2" Hydraulic Hose - 60"
2	--	"FAN CASE DRAIN" Port - BP System Manifold
3	7264	Fitting - Straight - 1/2" JIC Male - 3/8" ORB Male
4	7686	Fiting - Elbow - 1/2" JIC M - 1/2" JIC F

PARTS LIST		
Item	Part #	Description
5	--	Fan Case Drain Hydraulic Hose
6	7263	Fitting - Tee - 1/2" JIC M - M - F
7	7265	Fitting - Straight - 1/2" JIC M - 1/2" ORFS F
8	7266	Fitting - Tee - 1/2" ORFS M - M - F

Title	Airguard Blockage Prevention System Upgrade Instructions	RELEASE DATE	2023-03-01
STEP	14. Complete the hydraulic installation by ensuring that all connections made in Step 8 to 12 are tightened. Position/Routing of hydraulic hoses may vary to suit each specific machine installation. Zip tie hoses to reduce wear and ensure tidy installation.	REV #	1.0
		PART KIT #	Varies



COMPLETED INSTALLATION WITH NO SNORKEL

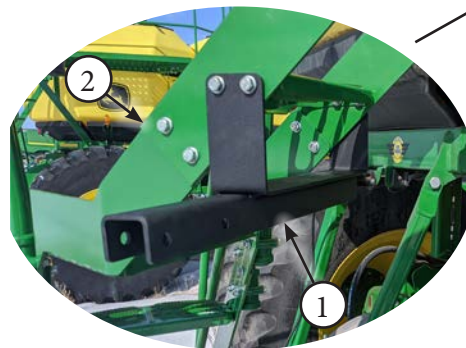
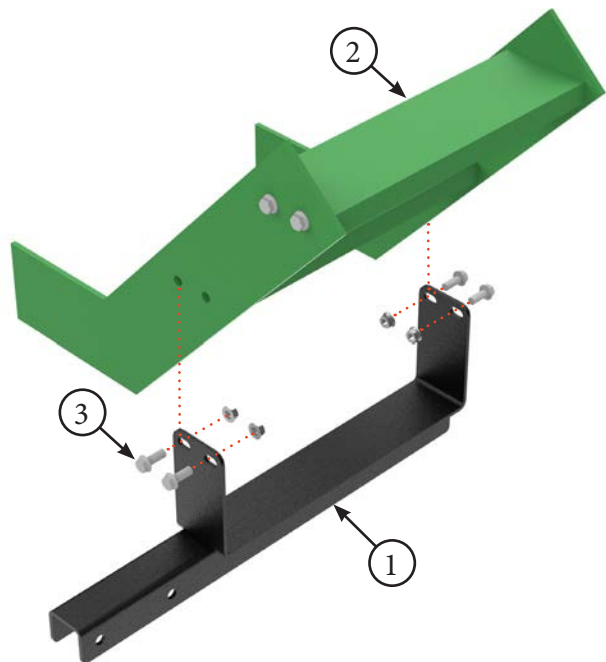
Title	Airguard Blockage Prevention System Upgrade Instructions	RELEASE DATE	2023-03-01
STEP	15. For 1910 Aircarts. Install the bracket (Item 1) onto Aircart Stair Stringer (Item 2) using existing stair tread hardware (Item 3).	REV #	1.0
		PART KIT #	Varies

MODEL SPECIFIC CONNECTION - KIT 7960:
 1900 & 1910 & C650 Tow Between Aircarts
 1900 & 1910 Tow Behind Aircarts

C650 Tow Between



1910 / 1900 Tow Between



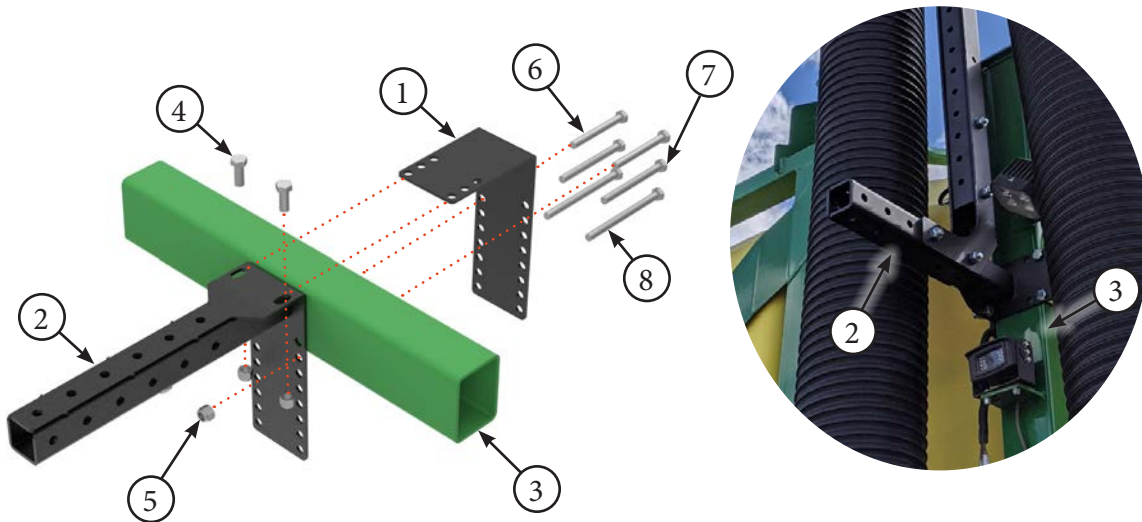
1910 / 1900 Tow Behind

PARTS LIST		
Item	Part #	Description
1	7955	John Deere Snorkel Mount Bracket Assembly
2	--	Stair Stringer

PARTS LIST		
Item	Part #	Description
3	--	Existing stair tread hardware

Title	Airguard Blockage Prevention System Upgrade Instructions	RELEASE DATE	2023-01-01
STEP	16. For C650 and C850 Aircarts. Install the brackets (Item 1 & 2) onto Aircart HSS Frame (Item 3) using supplied hardware. Use 12mm x 30mm (Item 4) and 12mm lock nuts (Item 5) for top connection. Use 12mm x 110mm-160mm (Item 6, 7 or 8) and 12mm lock nuts (Item 5) for bottom connection. Bracket is designed to fit HSS Beams 3"-5" x 3"-10" in vertical or horizontal mount positions.	REV #	1.0
		PART KIT #	Varies

MODEL SPECIFIC CONNECTION - KIT 7860:
C650 & C850 Tow Behind Aircarts

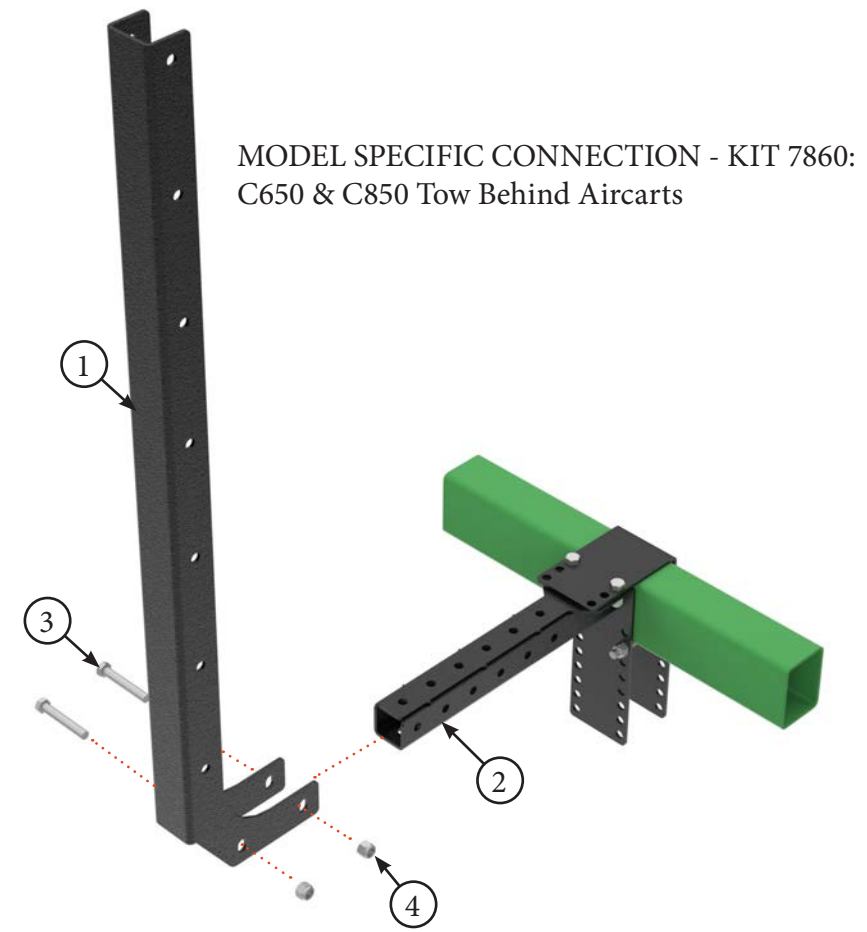
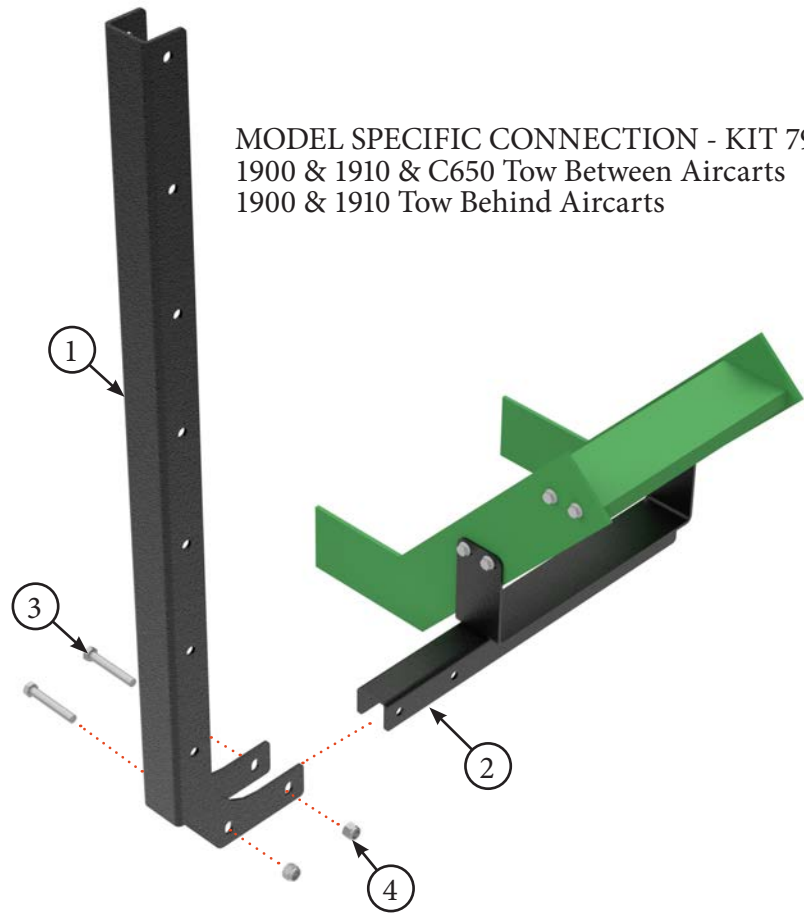


Tow Behind

PARTS LIST		
Item	Part #	Description
1	7869	Adjustable HSS Backing Plate
2	7873	Adjustable HSS Bracket Assembly
3	--	Aircart HSS Frame
4	7861	Hex Bolt, 12mm x 30mm

PARTS LIST		
Item	Part #	Description
5	7669	Lock Nut, 12mm
6	7862	Hex Bolt, 12mm x 110mm
7	7863	Hex Bolt, 12mm x 130mm
8	7864	Hex Bolt, 12mm x 160mm

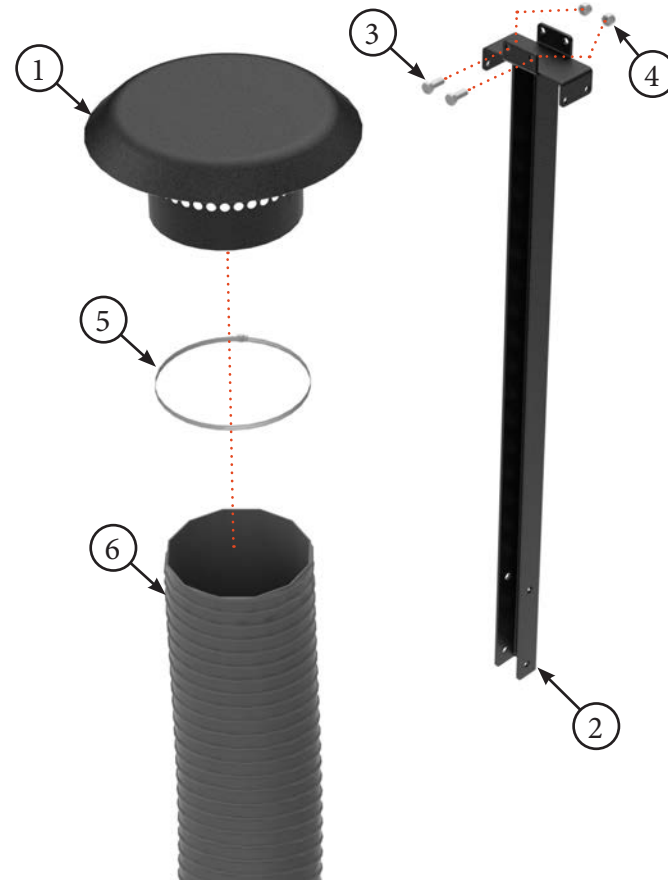
Title	Airguard Blockage Prevention System Upgrade Instructions	RELEASE DATE	2023-03-01
STEP	17. Mount outer vertical channel (Item 1) to Mount Bracket (Item 2) using supplied 12mm x 80mm Bolts (Item 3) and 12mm lock nuts (Item 4). For C650 and C850 Aircart installations, the vertical channel (Item 1) can be installed in either direction depending on where there is room to fit the snorkel kit.	REV #	1.0
		PART KIT #	Varies



PARTS LIST		
Item	Part #	Description
1	7865	Outer Vertical Channel
2	--	Mount Bracket

PARTS LIST		
Item	Part #	Description
3	7859	Hex Bolt, 12mm x 80mm
4	7669	Lock Nut, 12mm

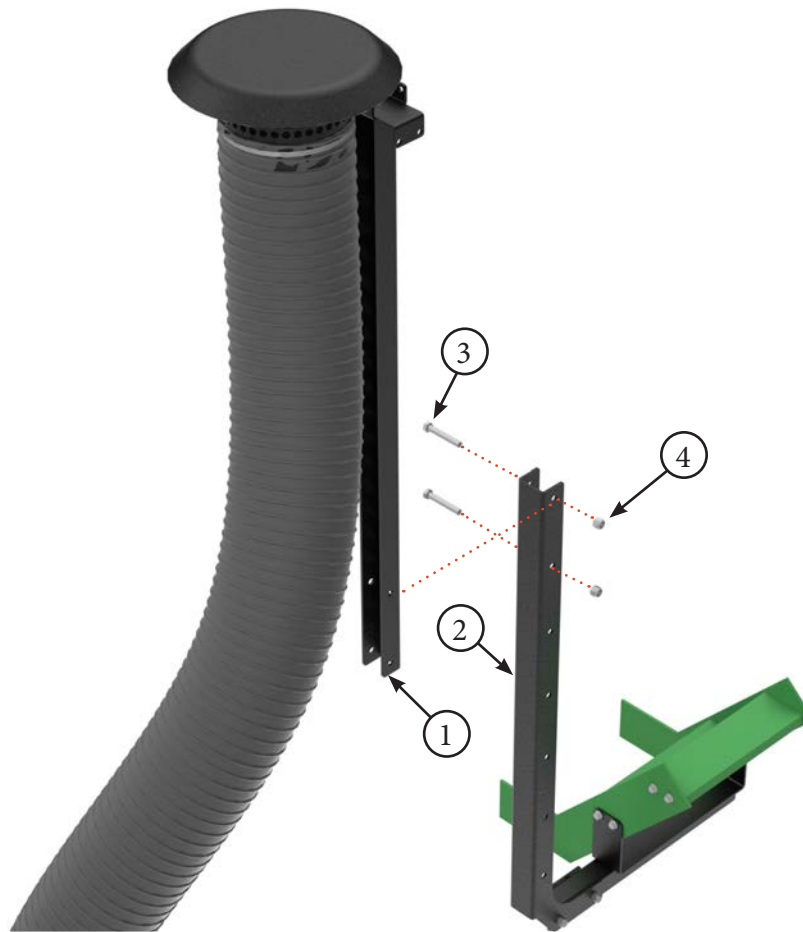
Title	Airguard Blockage Prevention System Upgrade Instructions	RELEASE DATE	2023-03-01
STEP	18. Attach air intakes (Item 1) to upper vertical channel (Item 2) using supplied 10mm x 25mm Bolts (Item 3) and 10mm lock nuts (Item 4). A maximum of 4 intakes can be mounted. Use bridge clamp (Item 5) to attach 8" flex hose (Item 6) to air intake (Item 1).	REV #	1.0
		PART KIT #	Varies



PARTS LIST		
Item	Part #	Description
1	7576	Air Intake Bracket
2	7868	Upper Vertical Channel
3	7515	Hex Bolt, 10mm x 25mm

PARTS LIST		
Item	Part #	Description
4	7516	Lock Nut, 10mm
5	7578	Bridge Clamp, 8"
6	7572	Flexible Snorkel Hose - 8"

Title	Airguard Blockage Prevention System Upgrade Instructions	RELEASE DATE	2023-03-01
STEP	19. Determine desired height of air intakes and secure upper vertical channel (Item 1) to lower vertical channel (Item 2) at that location. Use supplied 12mm x 80mm Bolts (Item 3) and 12mm lock nuts (Item 4).	REV #	1.0
		PART KIT #	Varies

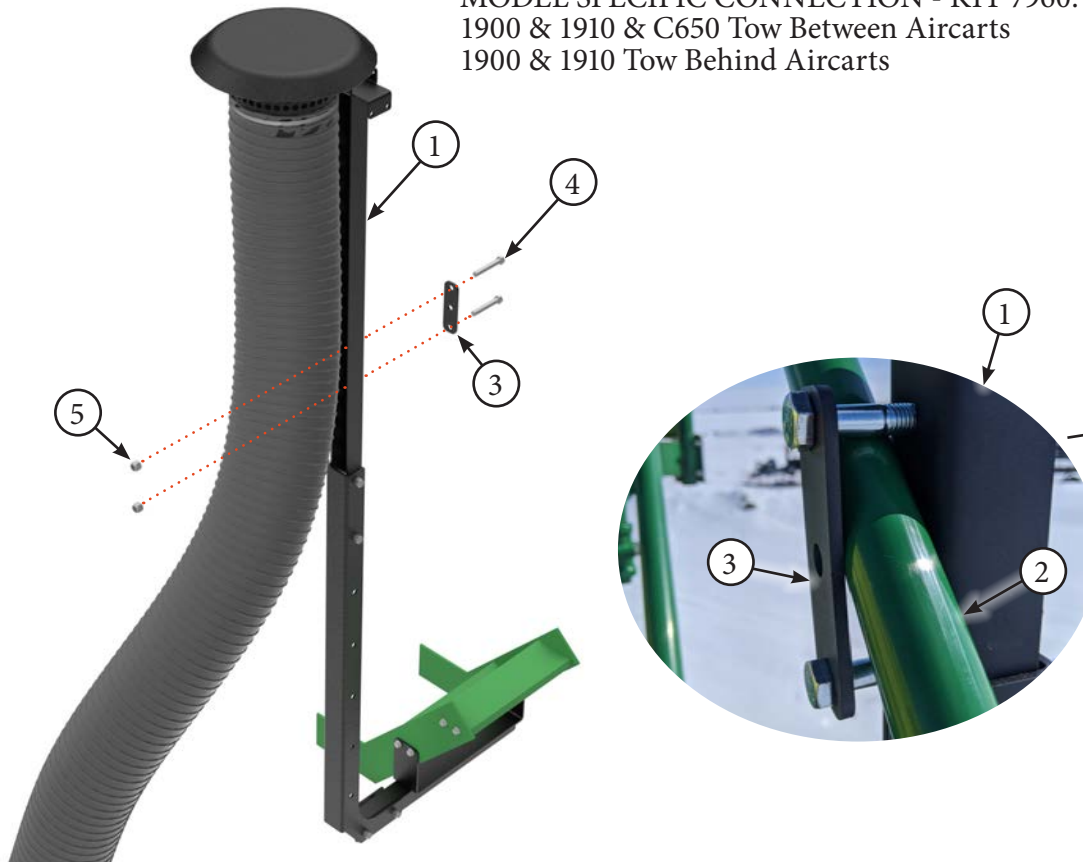


PARTS LIST		
Item	Part #	Description
1	7868	Upper Vertical Channel
2	7865	Lower Vertical Channel

PARTS LIST		
Item	Part #	Description
3	7859	Hex Bolt, 12mm x 80mm
4	7669	Lock Nut, 12mm

Title	Airguard Blockage Prevention System Upgrade Instructions	RELEASE DATE	2023-03-01
STEP	20. For 1910 aircarts, attach stabilizer bracket (Item 1) to catwalk railing (Item 2) using railing mount plate (Item 3) and supplied 12mm x 60mm Bolts (Item 4) and 12mm lock nuts (Item 5).	REV #	1.0
		PART KIT #	Varies

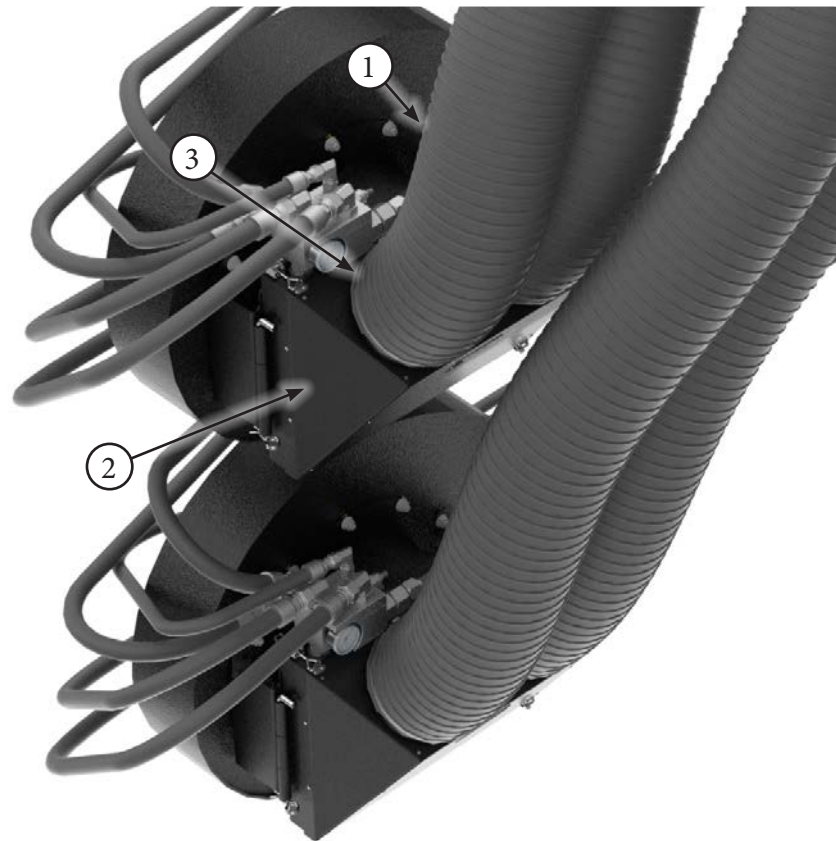
MODEL SPECIFIC CONNECTION - KIT 7960:
 1900 & 1910 & C650 Tow Between Aircarts
 1900 & 1910 Tow Behind Aircarts



PARTS LIST		
Item	Part #	Description
1	7868	Upper Vertical Channel
2	--	Catwalk Railing
3	7959	Railing Mount Plate

PARTS LIST		
Item	Part #	Description
4	7961	Hex Bolt, 12mm x 60mm
5	7669	Lock Nut, 12mm

Title	Airguard Blockage Prevention System Upgrade Instructions	RELEASE DATE	2023-03-01
STEP	21. Attach 8” flex hose (Item 1) to snorkel housing (Item 2) using bridge clamp (Item 3). Zip tie 8” flex hoses to reduce wear and ensure tidy installation.	REV #	1.0
		PART KIT #	Varies

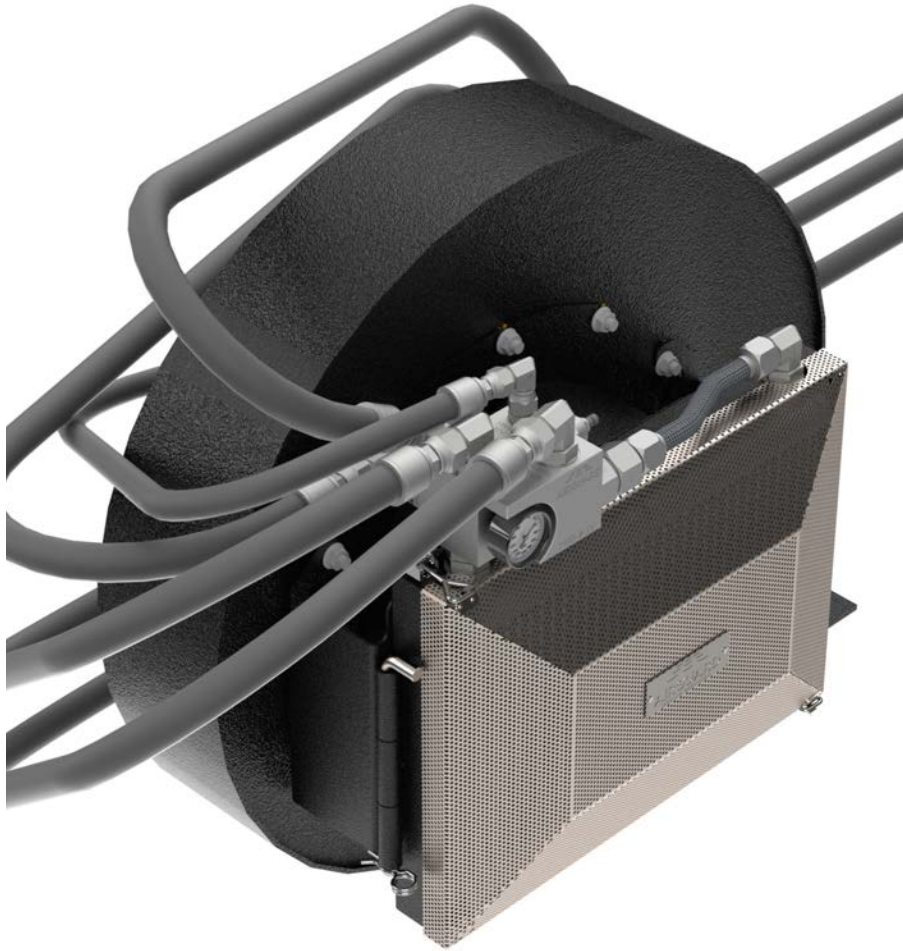


PARTS LIST		
Item	Part #	Description
1	7977	Snorkel Housing
2	7578	Bridge Clamp, 8”

PARTS LIST		
Item	Part #	Description
3	7572	Flexible Snorkel Hose - 8”

Title	Airguard Blockage Prevention System Upgrade Instructions	RELEASE DATE	2023-03-01
STEP	Installation is Completed. Ensure all hydraulic connections and bolts are tightened.	REV #	1.0
		PART KIT #	Varies

COMPLETED INSTALLATION WITH NO SNORKEL



COMPLETED INSTALLATION WITH SNORKELS

