

PART KIT INSTALL INSTRUCTIONS

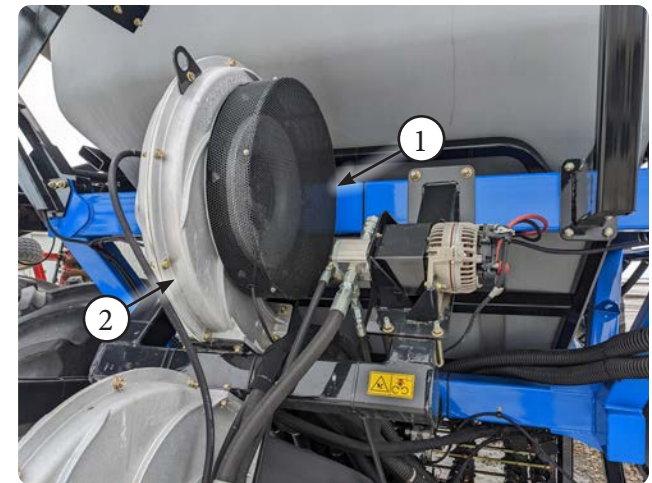
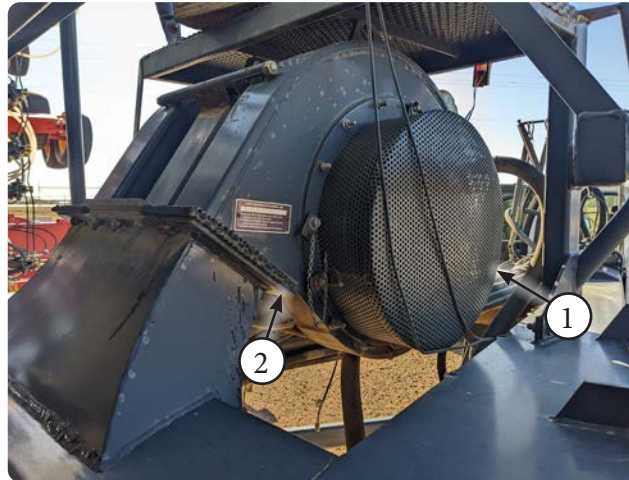
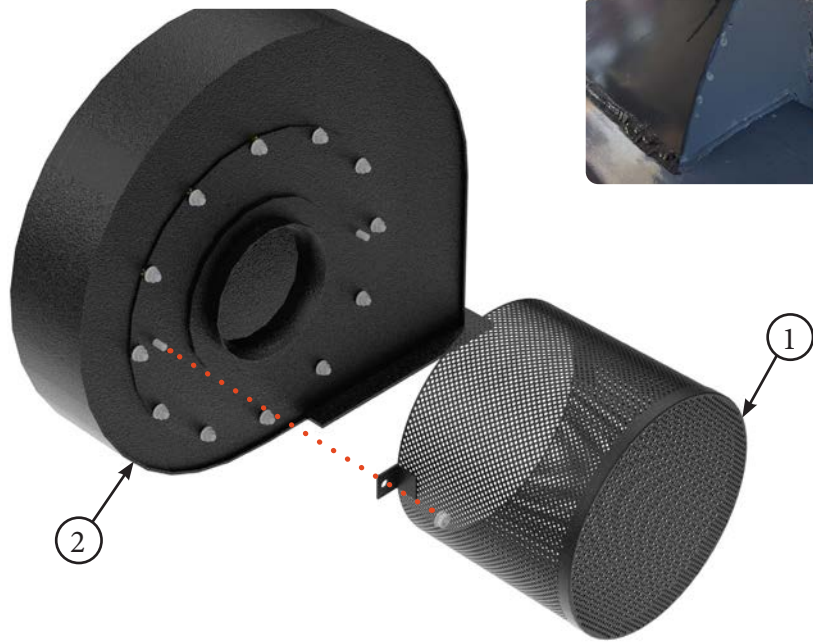
CNH / Case IH / New Holland / Flexicoil Aircarts

Part Kit #VARIES - Rev 1.0 - AIRGUARD - Blockage Prevention System

Release Date: 2023-03-01



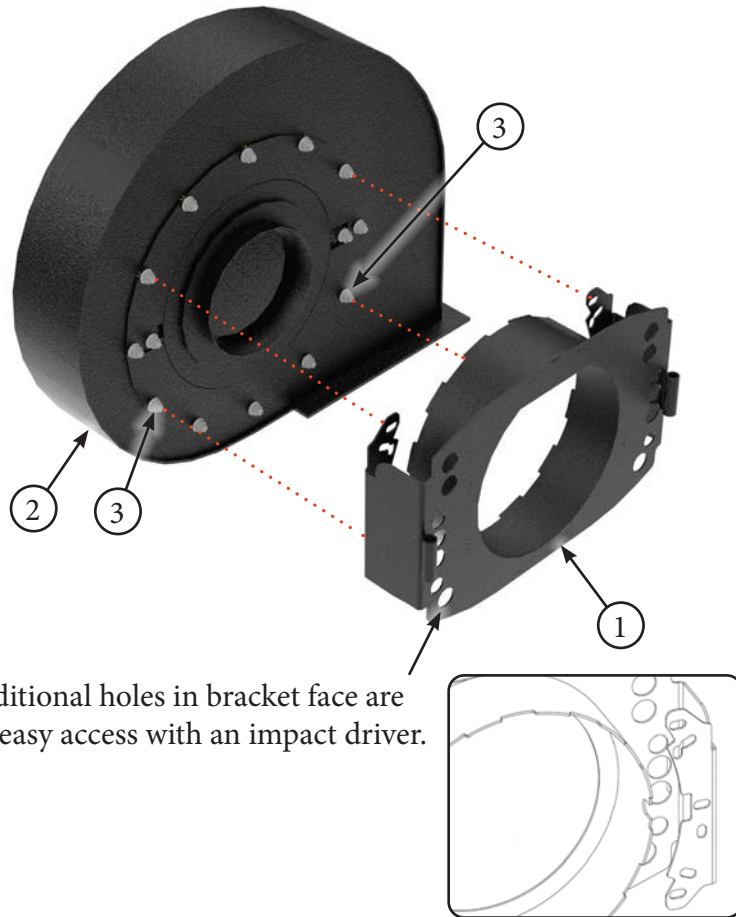
| | | | |
|--------------|---|---------------------|------------|
| Title | Airguard Blockage Prevention System Upgrade Instructions | RELEASE DATE | 2023-03-01 |
| STEP | 1. Remove existing fan screen (Item 1) from the fan housing (Item 2). | REV # | 1.0 |
| | | PART KIT # | Varies |



| PARTS LIST | | |
|------------|--------|----------------|
| Item | Part # | Description |
| 1 | -- | REM Fan Screen |

| PARTS LIST | | |
|------------|--------|---|
| Item | Part # | Description |
| 2 | -- | REM Fan Housing / or / Tsunami Blower Housing |

| | | | |
|--------------|--|---------------------|------------|
| Title | Airguard Blockage Prevention System Upgrade Instructions | RELEASE DATE | 2023-03-01 |
| STEP | 2. Install supplied mounting bracket (Item 1) to fan housing (Item 2) using existing bolts and nuts (Item 3). Angle mount bracket in a position that ensures the supplied hydraulic hoses reach the fan motor. Additional holes in bracket face (Item 4) are for easy access with an impact driver. Bracket may look different than shown below. | REV # | 1.0 |
| | | PART KIT # | Varies |



Use Kit # 9500 for the following Models:
 Flexicoil: 2320-3450, 3850-4350
 Case IH: 2300-2330, 3380-3430, 3580
 New Holland: P1030-P1070, SC380-SC430

Use Kit # 9540 for the following Models:
 Case IH: 500T, 500T
 New Holland: P2080, P2085

Use Kit # 9590 (Bottom Fan) or 9595 (Top Fan) for the following Models with Painted Black Fans
 Flexicoil: 3560, 4460-9560, 60 Series
 Case IH: 2355, 3445-3555, 3915, 4465-4955
 New Holland: P2350-P4950

Use Kit # 9620 (Bottom Fan) or 9625 (Top Fan) for the following Models with Cast Aluminum Fans
 Flexicoil: 3560, 4460-9560, 60 Series
 Case IH: 2355, 3445-3555, 3915, 4465-4955
 New Holland: P2350-P4950



| PARTS LIST | | |
|------------|------------------|--|
| Item | Part # | Description |
| 1 | 7554 / or / 7619 | REM RT Fan Bracket / or / Tsunami Blower Bracket |
| 2 | -- | REM Fan Housing / or / Tsunami Blower Housing |

| PARTS LIST | | |
|------------|--------|------------------------------------|
| Item | Part # | Description |
| 3 | -- | 3/8" -16 NC Serrated Flange GR5 YZ |

| | | | |
|--------------|--|---------------------|------------|
| Title | Airguard Blockage Prevention System Upgrade Instructions | RELEASE DATE | 2023-03-01 |
| STEP | 3. For Aircarts with Alternators installed in front of the fan, additional steps are required to reposition the alternator 90 degrees on the HSS frame to make room for the BP System install on the upper fan. Remove existing 1" hose (Item 1) and 1/2" hose (Item 2) from alternator and fan motor. Unbolt alternator from HSS frame and reposition at a 90 degree angle and rebolt to the HSS frame. Use supplied 1" x 27" hose (Item 3) with 45deg elbow (Item 4) and attach to fan motor and alternator. Use supplied 1/2" x 40" hose (Item 5) and attach to fan motor and alternator. | REV # | 1.0 |
| | | PART KIT # | Varies |

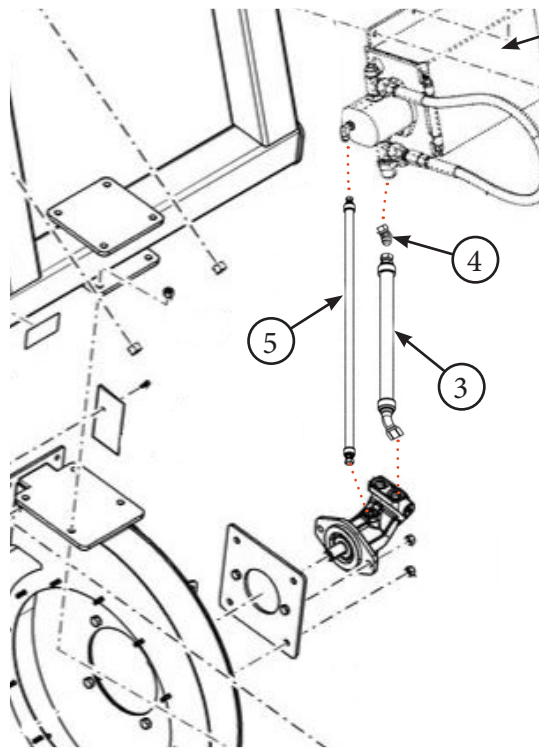
MODEL SPECIFIC CONNECTION TOP FAN ONLY

Flexicoil: 3560, 4460-9560, 60 Series

Case IH: 2355, 3445-3555, 3915, 4465-4955

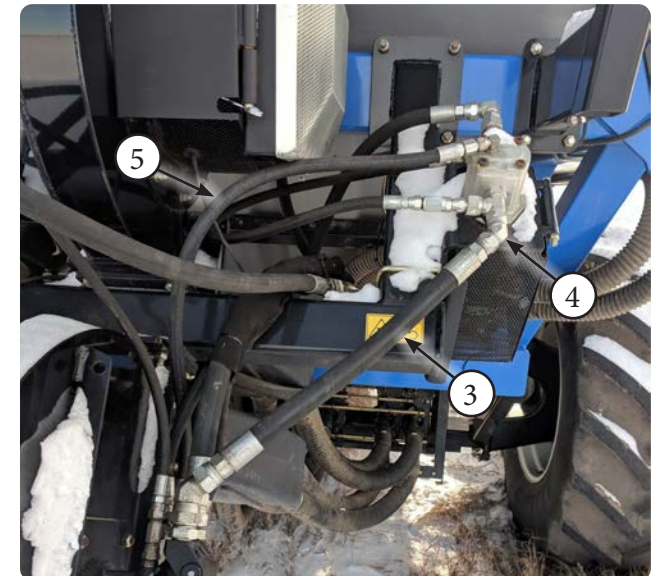
New Holland: P2350-P4950

Original Factory Alternator Position



UNBOLT AND REPOSITION 90 DEGREES

Repositioned Alternator Position



| PARTS LIST | | |
|------------|--------|-----------------------------------|
| Item | Part # | Description |
| 1 | -- | Existing 1" Return Hose |
| 2 | -- | Existing 1/2" Case Drain Hose |
| 3 | 7243 | CNH Alternator 1" Hose - 27" Long |

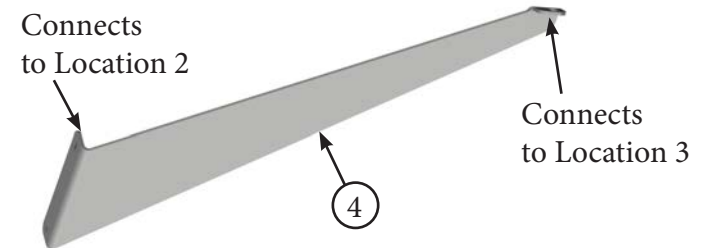
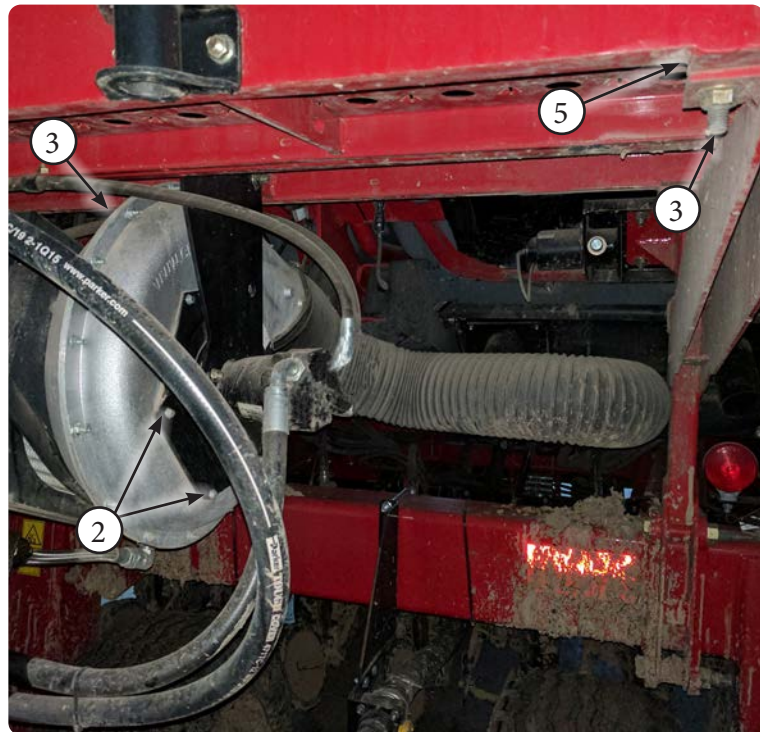
| PARTS LIST | | |
|------------|--------|---|
| Item | Part # | Description |
| 4 | 7248 | Fitting - Elbow - 45deg - 3/4" JIC M - 3/4" JIC F |
| 5 | 7252 | CNH Alternator 1/2" Hose - 40" Long |

| | | | |
|--------------|---|---------------------|------------|
| Title | Airguard Blockage Prevention System Upgrade Instructions | RELEASE DATE | 2023-03-01 |
| STEP | 4. For CNH 500T / 550T and New Holland P2080 / P2085 Airdrills, additional steps are required to support the fan housing (Item 1). Remove existing hardware (Item 2 & 3). Attach supplied support bracket (Item 4) to fan housing (Item 1) and airdrill frame (Item 5). Bracket design may look different than picture below. | REV # | 1.0 |
| | | PART KIT # | Varies |

MODEL SPECIFIC CONNECTION TOP FAN ONLY

Case IH: 500T, 550T

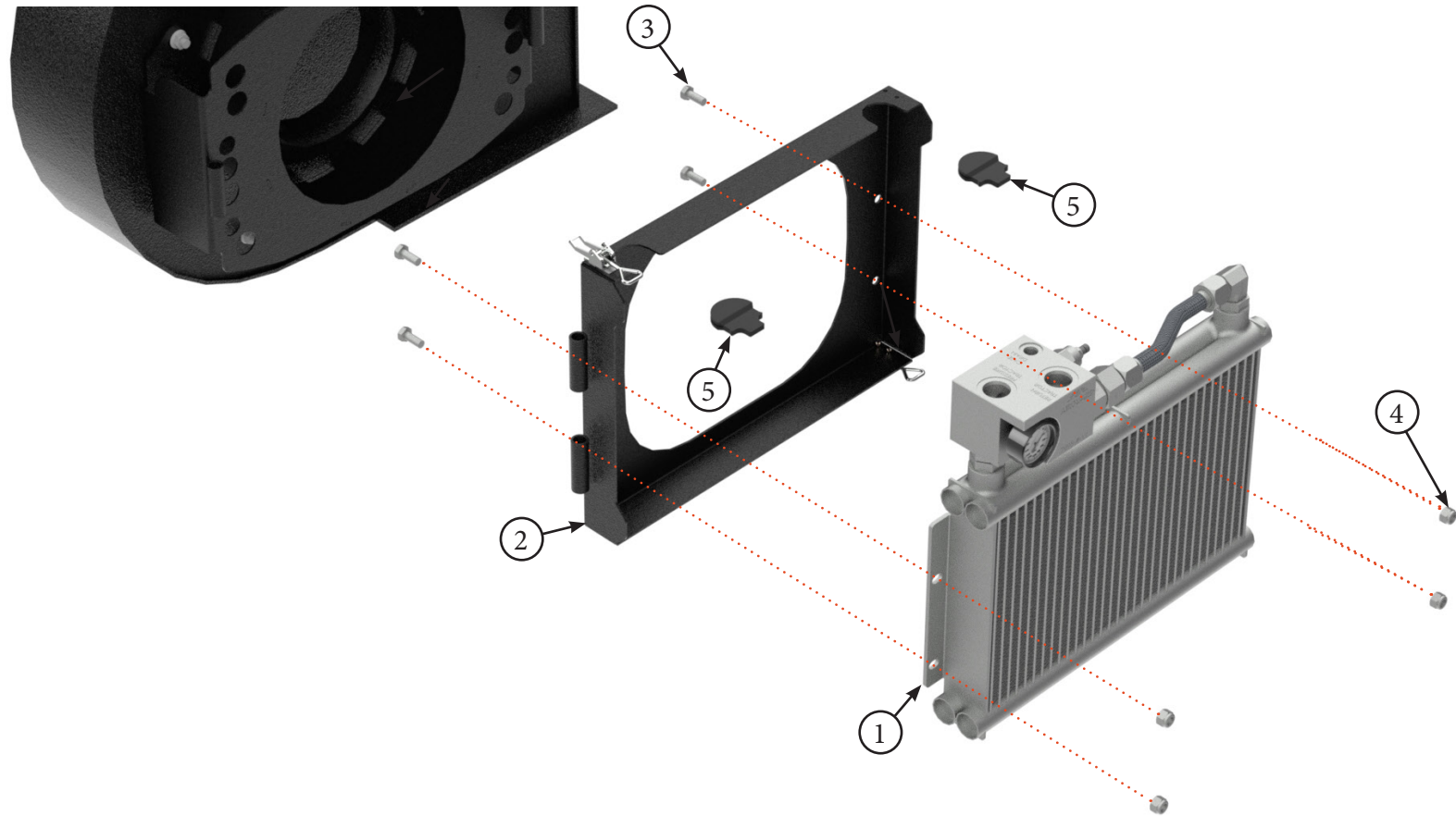
New Holland: P2080, P2085



| PARTS LIST | | |
|------------|--------|-----------------------------------|
| Item | Part # | Description |
| 1 | -- | Existing 1" Return Hose |
| 2 | -- | Existing 1/2" Case Drain Hose |
| 3 | 7243 | CNH Alternator 1" Hose - 27" Long |

| PARTS LIST | | |
|------------|--------|---|
| Item | Part # | Description |
| 4 | 7248 | Fitting - Elbow - 45deg - 3/4" JIC M - 3/4" JIC F |
| 5 | 7664 | CNH Alternator 1/2" Hose - 40" Long |

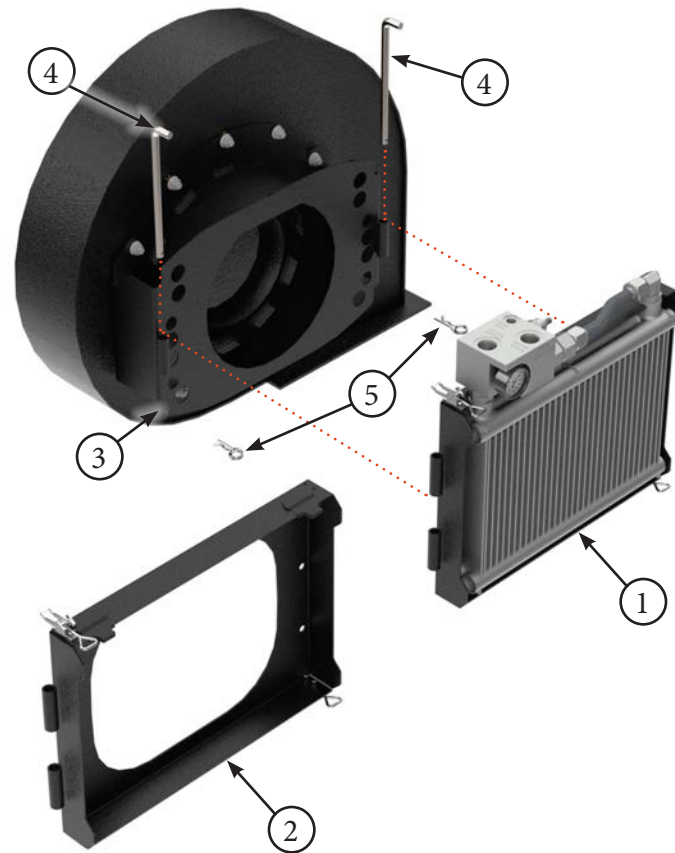
| | | | |
|--------------|---|---------------------|------------|
| Title | Airguard Blockage Prevention System Upgrade Instructions | RELEASE DATE | 2023-03-01 |
| STEP | 5. Bolt Oil Cooler/Radiator Assembly (Item 1) to BP System Bracket (Item 2) using supplied 10mm x 25mm Bolts (Item 3) and 10mm lock nuts (Item 4). If only installing snorkel kit without Radiator, then install plastic plugs (Item 5) onto BP Sytem Bracket (Item 2). This step of the installation may already be completed at the Airguard factory prior to shipping. | REV # | 1.0 |
| | | PART KIT # | Varies |



| PARTS LIST | | |
|------------|--------|----------------------------------|
| Item | Part # | Description |
| 1 | 7996 | Oil Cooler and Manifold Assembly |
| 2 | 7546 | Main BP System Bracket |
| 3 | 7515 | Hex Bolt, 10mm x 25mm Grade 8.8 |

| PARTS LIST | | |
|------------|--------|--------------------------|
| Item | Part # | Description |
| 4 | 7516 | Lock Nut, 10mm Grade 8.8 |
| 5 | 7683 | BP System Bracket Plug |

| | | | |
|--------------|---|---------------------|------------|
| Title | Airguard Blockage Prevention System Upgrade Instructions | RELEASE DATE | 2023-03-01 |
| STEP | 6. Remove the plastic packaging materials prior to the assembly of these brackets. Mount BP System Main Bracket with Oil Cooler (Item 1) or Main Bracket with Plugs (Item 2) to Fan bracket (Item 3) using supplied pivot pins (Item 4). Secure in place with 3.5mm cotter pins (Item 5). | REV # | 1.0 |
| | | PART KIT # | Varies |

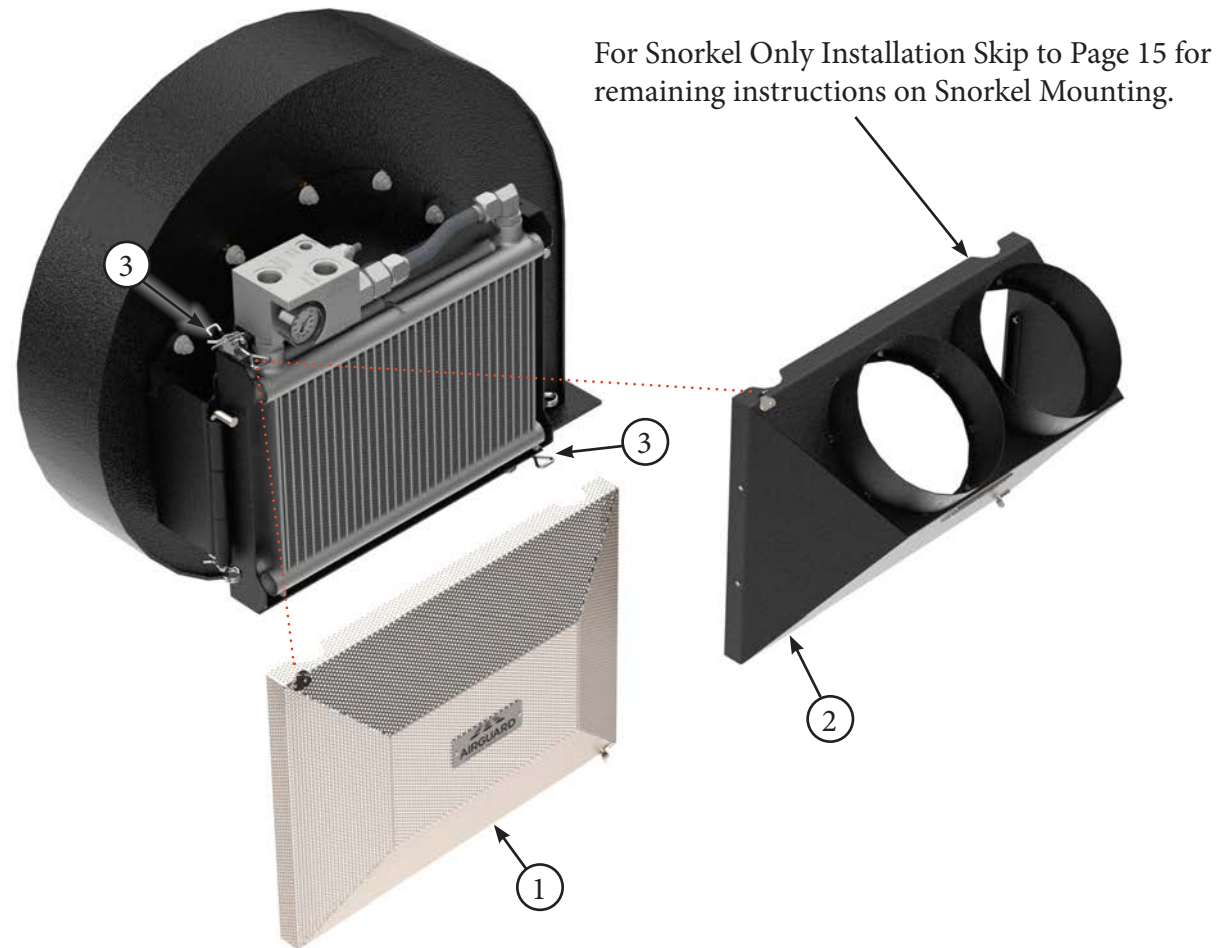


Remove Packaging material and discard, prior to install.

| PARTS LIST | | |
|------------|--------|--|
| Item | Part # | Description |
| 1 | -- | BP System Main Bracket with Oil Cooler |
| 2 | -- | BP System Main Bracket with Plugs for Snorkel Only Install |
| 3 | -- | REM RT Fan Bracket / or / Tsunami Blower Bracket |

| PARTS LIST | | |
|------------|--------|--------------------------|
| Item | Part # | Description |
| 4 | 7502 | Pivot Pin For BP Systems |
| 5 | 7513 | 3.5mm Cotter Pin |

| | | | |
|--------------|--|---------------------|------------|
| Title | Airguard Blockage Prevention System Upgrade Instructions | RELEASE DATE | 2023-03-01 |
| STEP | 7. Attach Mesh Screen (Item 1) or Snorkel Housing (Item 2) to front of BPS using latches (Item 3). | REV # | 1.0 |
| | | PART KIT # | Varies |

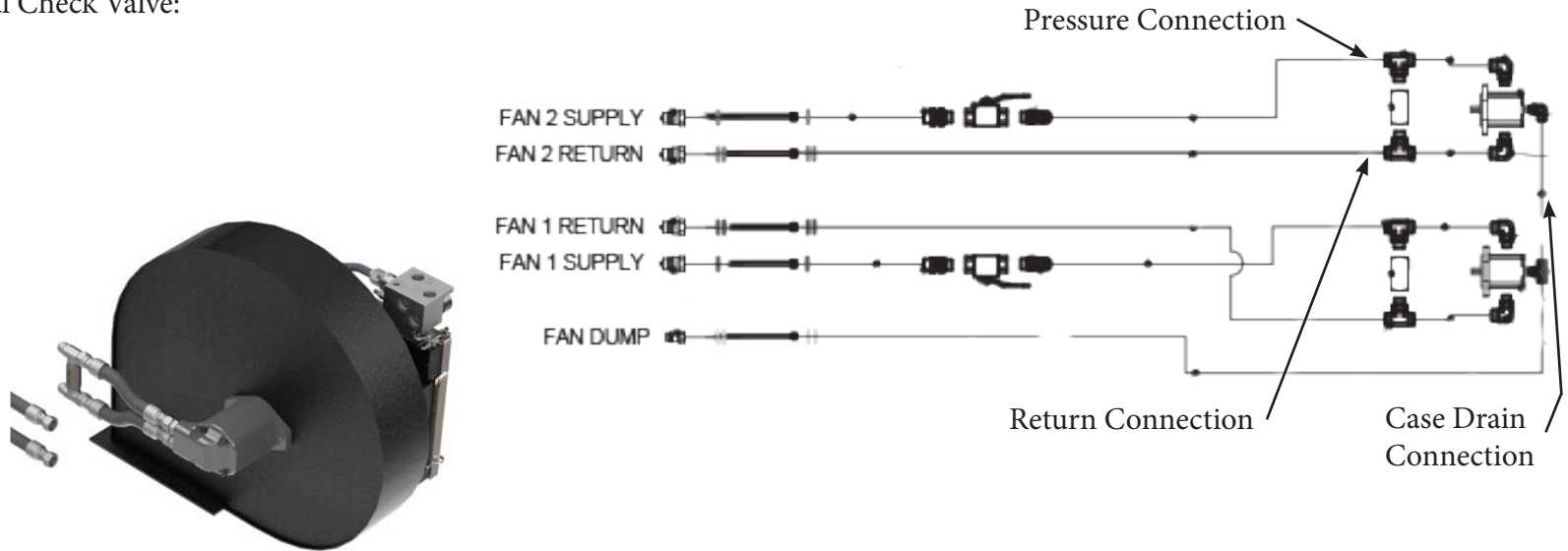


| PARTS LIST | | |
|------------|--------|-----------------|
| Item | Part # | Description |
| 1 | 7568 | Mesh Screen |
| 2 | 7977 | Snorkel Housing |

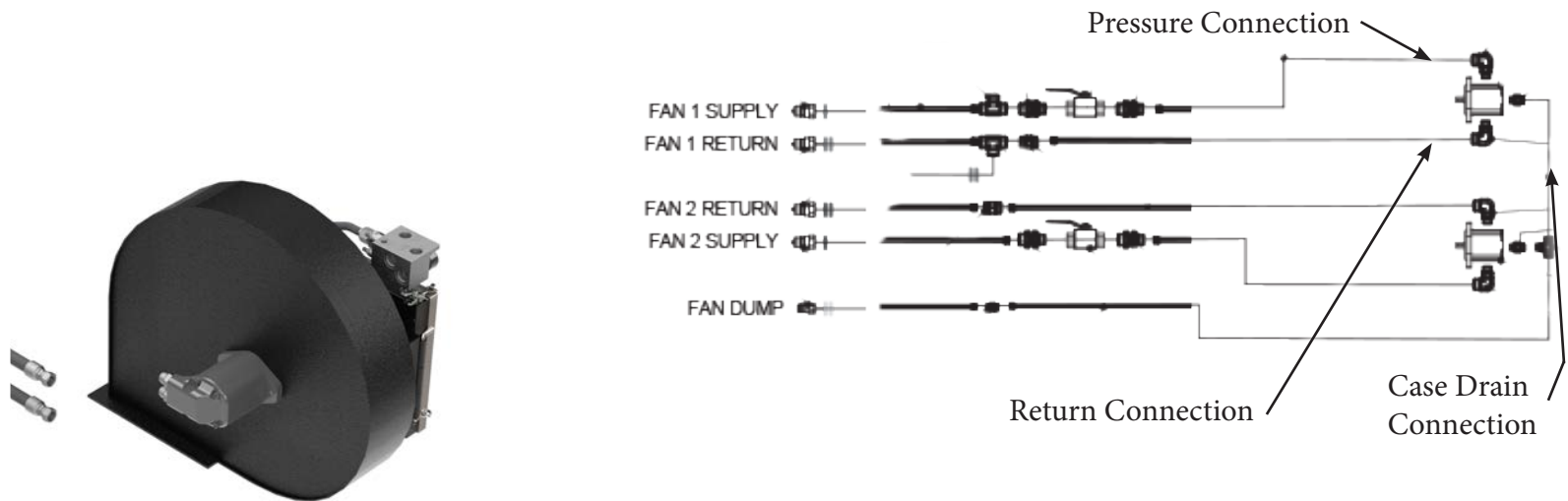
| PARTS LIST | | |
|------------|--------|------------------|
| Item | Part # | Description |
| 3 | -- | Overcenter Latch |

| | | | |
|--------------|---|---------------------|------------|
| Title | Airguard Blockage Prevention System Upgrade Instructions | RELEASE DATE | 2023-03-01 |
| STEP | 8. Identify the model of aircart that the Airguard Blockage Prevention System is being installed on. For models with external check valves, the connections must be made on the tractor side of the hydraulic circuit as shown below. | REV # | 1.0 |
| | | PART KIT # | Varies |

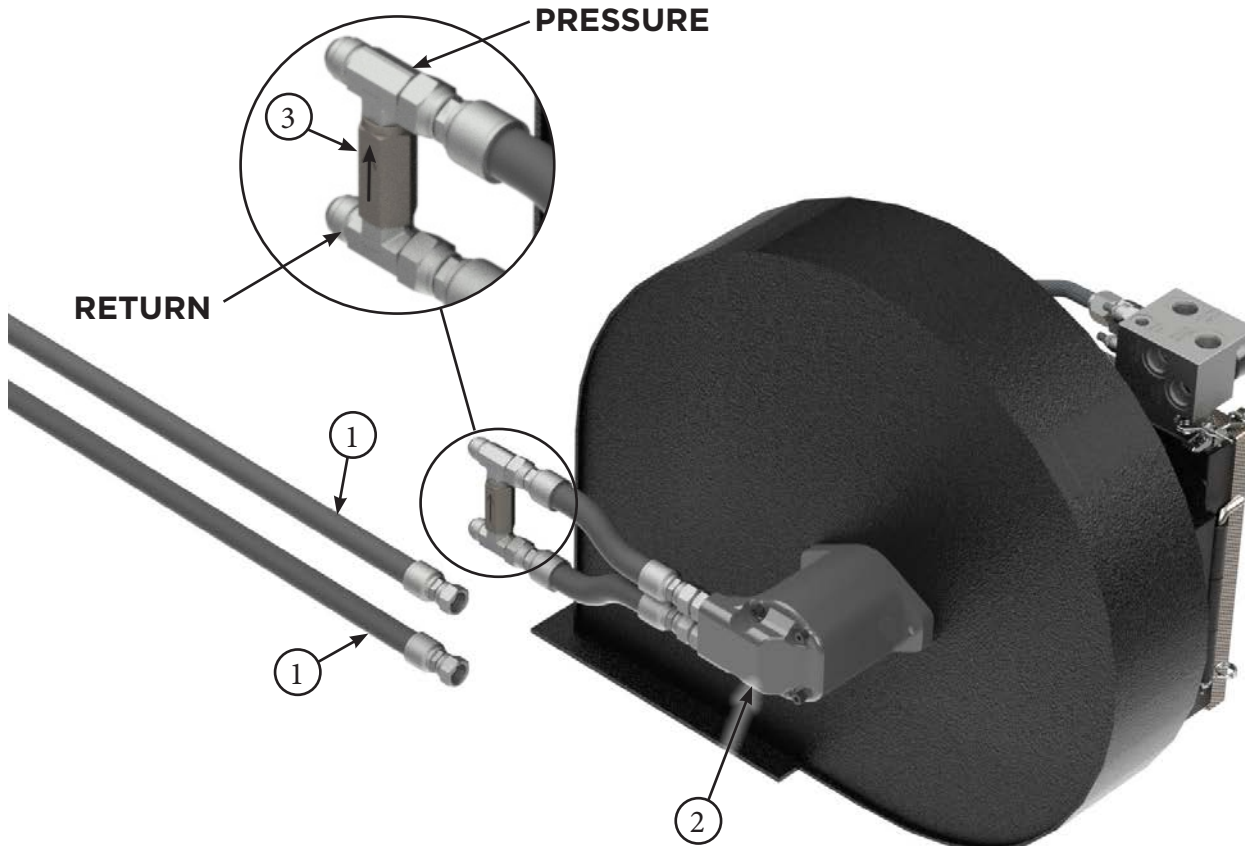
Installation with External Check Valve:



Installation with Internal Check Valve:



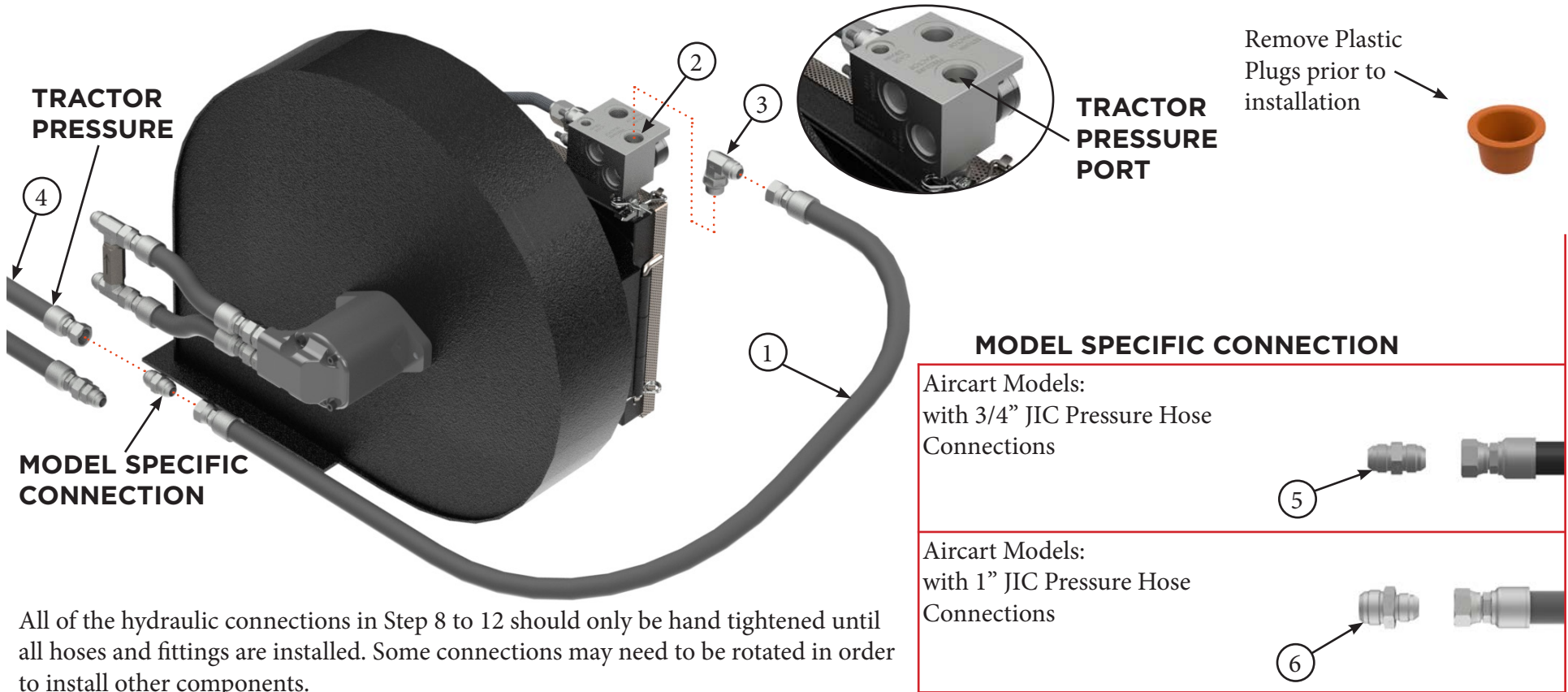
| | | | |
|--------------|--|---------------------|------------|
| Title | Airguard Blockage Prevention System Upgrade Instructions | RELEASE DATE | 2023-03-01 |
| STEP | 9. Remove factory hoses (Item 1) from side of fan motor (Item 2). Remove the hoses (Item 1) on the tractor side of the external check valve, as shown below. Identify which hose is the pressure side of the circuit. On newer models there is a shut off valve on the pressure side of the circuit. The external check valve will have a directional arrow that always points to the pressure side. If you do not have an external check valve you will attach directly to the fan motor. | REV # | 1.0 |
| | | PART KIT # | Varies |



| PARTS LIST | | |
|------------|--------|---|
| Item | Part # | Description |
| 1 | -- | Existing Hose from Tractor to Fan Motor |
| 2 | -- | Hydraulic Motor |

| PARTS LIST | | |
|------------|--------|----------------------|
| Item | Part # | Description |
| 3 | -- | External Check Valve |

| | | | |
|--------------|--|---------------------|------------|
| Title | Airguard Blockage Prevention System Upgrade Instructions | RELEASE DATE | 2023-03-01 |
| STEP | 10. Hoses may be routed to suit your specific aircart installation. Install supplied 3/4" hydraulic hose (Item 1) to the "TRACTOR PRESSURE" port of the radiator block (Item 2), using adapter (Item 3) to make the connection. Use model specific connection as per instructions below to attach the other end of the hose to the factory pressure line (Item 4) that was removed from the fan motor. | REV # | 1.0 |
| | | PART KIT # | Varies |

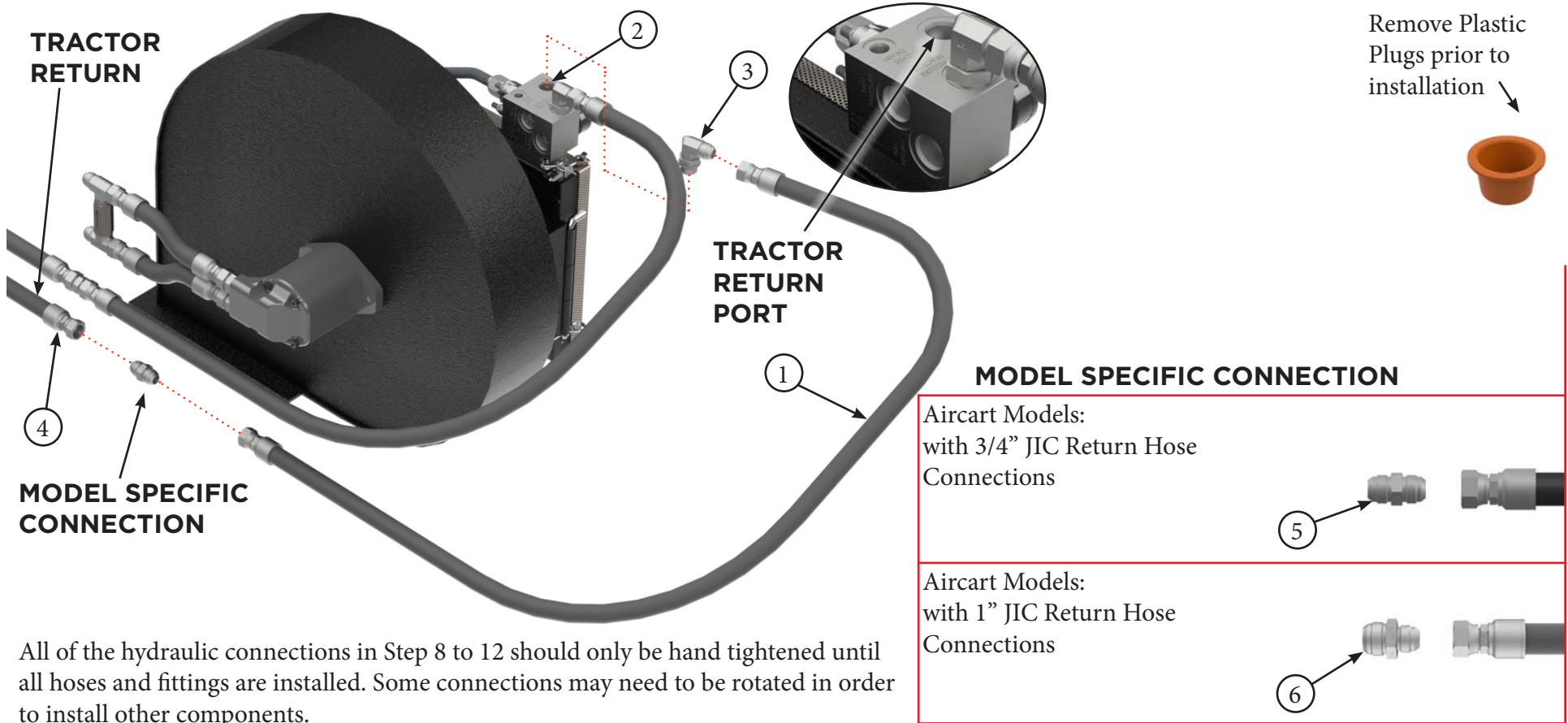


All of the hydraulic connections in Step 8 to 12 should only be hand tightened until all hoses and fittings are installed. Some connections may need to be rotated in order to install other components.

| PARTS LIST | | |
|------------|--------|--|
| Item | Part # | Description |
| 1 | 9016 | BPS 3/4" Hydraulic Hose - 60" |
| 2 | -- | "TRACTOR PRESSURE" Port - BP System Manifold |
| 3 | 7506 | Fiting - Elbow - 3/4" JIC Male - 3/4" ORB Male |

| PARTS LIST | | |
|------------|--------|--|
| Item | Part # | Description |
| 4 | -- | Tractor Supply (Pressure) Hydraulic Hose |
| 5 | 7538 | Fitting - Straight - 3/4" JIC M - 3/4" JIC M |
| 6 | 7237 | Fitting - Straight - 1" JIC M - 3/4" JIC M |

| | | | |
|--------------|--|---------------------|------------|
| Title | Airguard Blockage Prevention System Upgrade Instructions | RELEASE DATE | 2023-03-01 |
| STEP | 11. Install supplied 3/4" hydraulic hose (Item 1) to the "TRACTOR RETURN" port of the radiator block (Item 2) using adapter (Item 3). Use model specific connection as per instructions below to attach the other end of the hose to the factory pressure line (Item 4) that was removed from the fan motor. | REV # | 1.0 |
| | | PART KIT # | Varies |



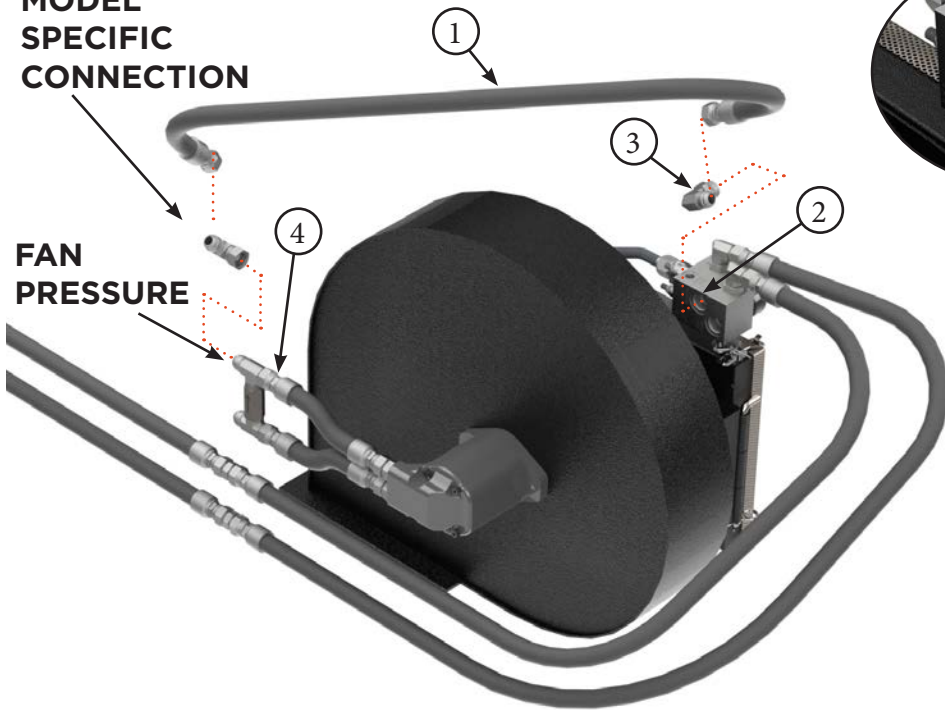
All of the hydraulic connections in Step 8 to 12 should only be hand tightened until all hoses and fittings are installed. Some connections may need to be rotated in order to install other components.

| PARTS LIST | | |
|------------|--------|--|
| Item | Part # | Description |
| 1 | 9016 | BPS 3/4" Hydraulic Hose - 60" |
| 2 | -- | "TRACTOR RETURN" Port - BP System Manifold |
| 3 | 7506 | Fiting - Elbow - 3/4" JIC Male - 3/4" ORB Male |

| PARTS LIST | | |
|------------|--------|--|
| Item | Part # | Description |
| 4 | -- | Tractor Return Hydraulic Hose |
| 5 | 7538 | Fitting - Straight - 3/4" JIC M - 3/4" JIC M |
| 6 | 7237 | Fitting - Straight - 1" JIC M - 3/4" JIC M |

| | | | |
|--------------|--|---------------------|------------|
| Title | Airguard Blockage Prevention System Upgrade Instructions | RELEASE DATE | 2023-03-01 |
| STEP | 12. Install supplied 3/4" hydraulic hose (Item 1) to the "FAN PRESSURE" port of the radiator block (Item 2) using adapter (Item 3). Use model specific connection as per instructions below to attach the other end of the hose to the factory fan pressure line/ port (Item 4) coming from the fan motor. | REV # | 1.0 |
| | | PART KIT # | Varies |

MODEL SPECIFIC CONNECTION



All of the hydraulic connections in Step 8 to 12 should only be hand tightened until all hoses and fittings are installed. Some connections may need to be rotated in order to install other components.

Remove Plastic Plugs prior to installation



MODEL SPECIFIC CONNECTION

Aircart Models:
with 3/4" JIC Pressure Hose Connections

Connect hose directly to port adapters not needed



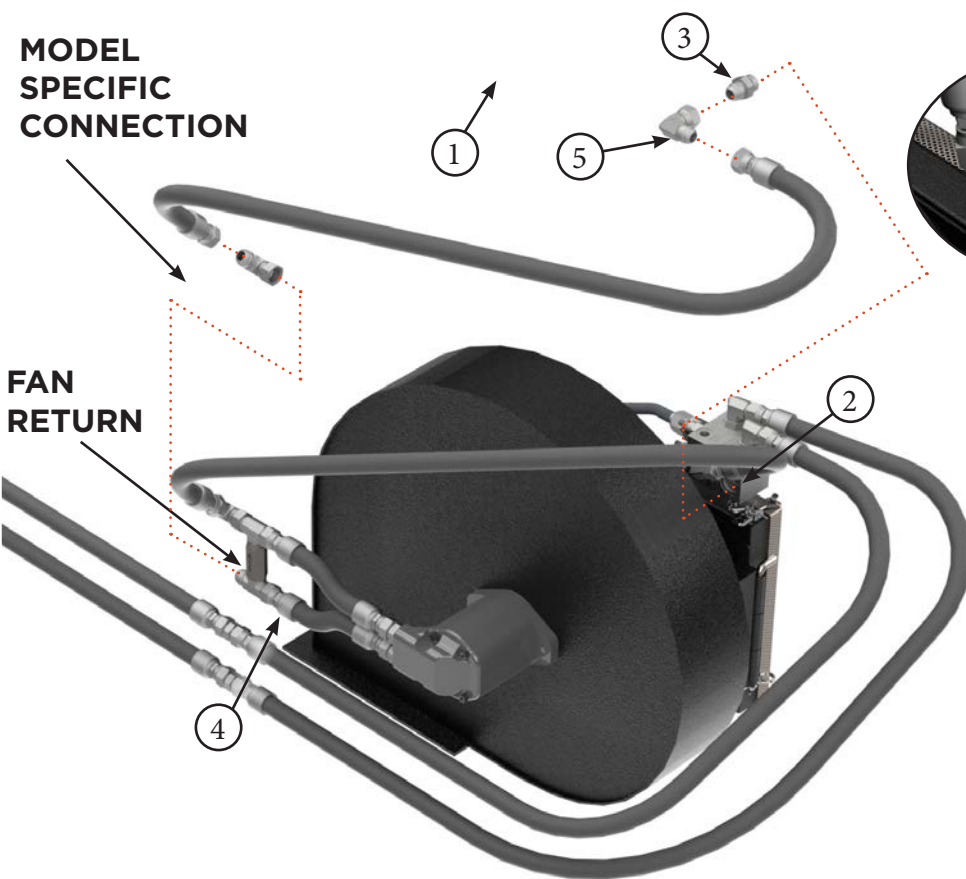
Aircart Models:
with 1" JIC Pressure Hose Connections



| PARTS LIST | | |
|------------|--------|--|
| Item | Part # | Description |
| 1 | 9016 | BPS 3/4" Hydraulic Hose - 60" |
| 2 | -- | "FAN PRESSURE" Port - BP System Manifold |
| 3 | 7506 | Fiting - Elbow - 3/4" JIC Male - 3/4" ORB Male |

| PARTS LIST | | |
|------------|--------|--|
| Item | Part # | Description |
| 4 | -- | Fan Supply (Pressure) Hydraulic Hose |
| 5 | 7238 | Fitting - Straight - 1" JIC F - 3/4" JIC M |

| | | | |
|--------------|--|---------------------|------------|
| Title | Airguard Blockage Prevention System Upgrade Instructions | RELEASE DATE | 2023-03-01 |
| STEP | 13. Install supplied 3/4" hydraulic hose (Item 1) to the "FAN RETURN" port of the radiator block (Item 2) using adapters (Item 3 & 5). Use model specific connection as per instructions below to attach the other end of the hose to the factory fan return line/port (Item 4) coming from the fan motor. | REV # | 1.0 |
| | | PART KIT # | Varies |



All of the hydraulic connections in Step 8 to 12 should only be hand tightened until all hoses and fittings are installed. Some connections may need to be rotated in order to install other components.

Remove Plastic Plugs prior to installation



FAN RETURN PORT

MODEL SPECIFIC CONNECTION

Aircart Models:
with 3/4" JIC Return Hose Connections

Connect hose directly to port
adapters not needed



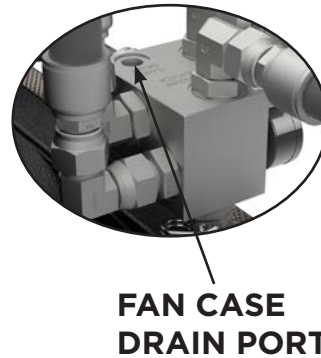
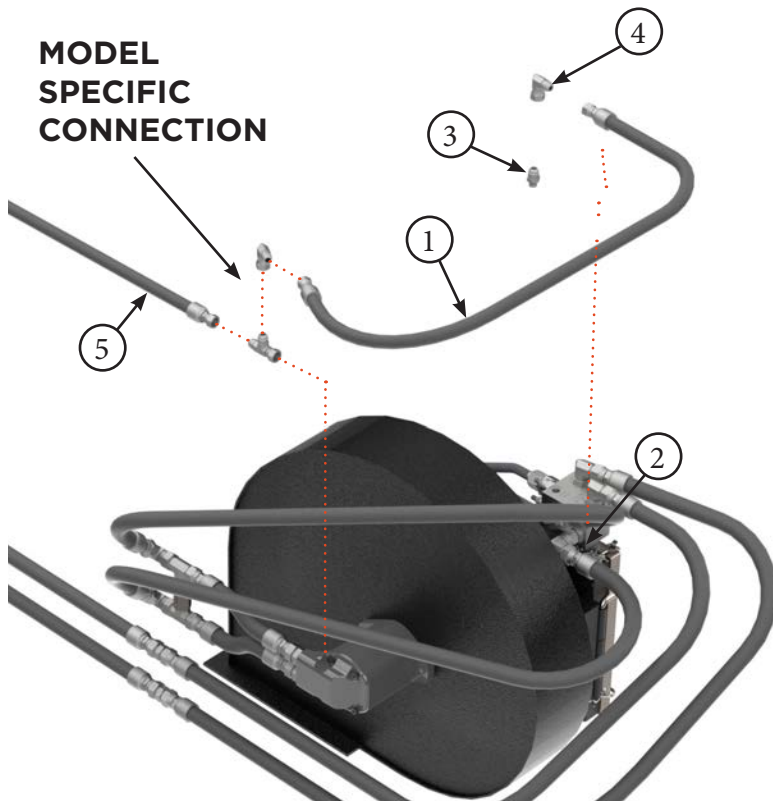
Aircart Models:
with 1" JIC Return Hose Connections



| PARTS LIST | | |
|------------|--------|--|
| Item | Part # | Description |
| 1 | 9016 | BPS 3/4" Hydraulic Hose - 60" |
| 2 | -- | "FAN RETURN" Port - BP System Manifold |
| 3 | 7543 | Fitting - Straight - 3/4" JIC Male - 3/4" ORB Male |

| PARTS LIST | | |
|------------|--------|--|
| Item | Part # | Description |
| 4 | -- | Fan Return Hydraulic Hose |
| 5 | 7238 | Fitting - Straight - 1" JIC F - 3/4" JIC M |

| | | | |
|--------------|---|---------------------|------------|
| Title | Airguard Blockage Prevention System Upgrade Instructions | RELEASE DATE | 2023-03-01 |
| STEP | 14. Install supplied 1/2" hydraulic hose (Item 1) to the "CASE DRAIN" port of the radiator block (Item 2) using adapters (Item 3 & 4). and to the fan motor case drain line (Item 5). Use model specific connection as per instructions below to attach the other end of the hose to the factory fan case drain line/port (Item 5) coming from the fan motor. | REV # | 1.0 |
| | | PART KIT # | Varies |



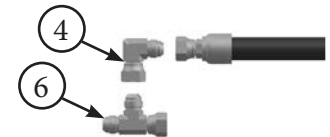
All of the hydraulic connections in Step 8 to 12 should only be hand tightened until all hoses and fittings are installed. Some connections may need to be rotated in order to install other components.

Remove Plastic Plugs prior to installation



MODEL SPECIFIC CONNECTION

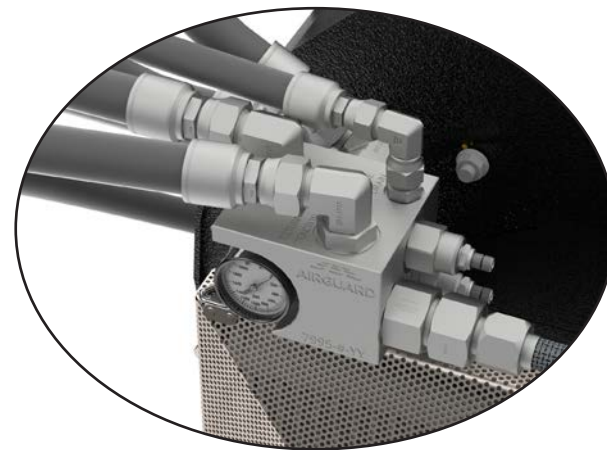
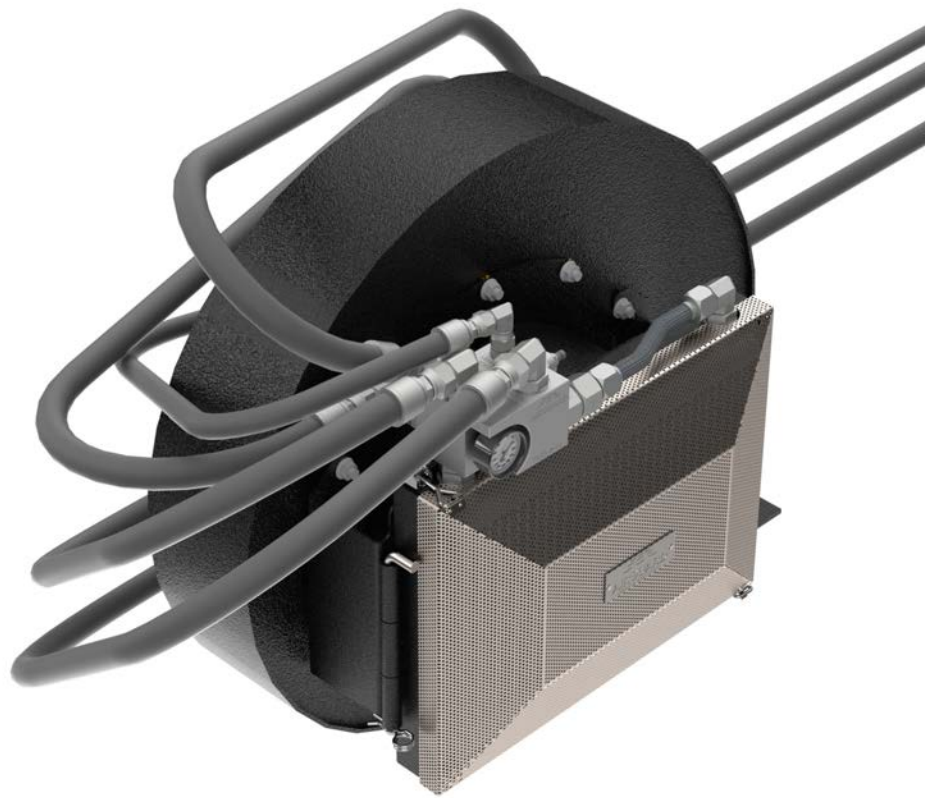
Aircart Models:
with 1/2" JIC Case Drain
Hose Connections



| PARTS LIST | | |
|------------|--------|--|
| Item | Part # | Description |
| 1 | 9016 | BPS 3/4" Hydraulic Hose - 60" |
| 2 | -- | "FAN CASE DRAIN" Port - BP System Manifold |
| 3 | 7264 | Fitting - Straight - 1/2" JIC Male - 3/8" ORB Male |

| PARTS LIST | | |
|------------|--------|--|
| Item | Part # | Description |
| 4 | 7686 | Fiting - Elbow - 1/2" JIC M - 1/2" JIC F |
| 5 | -- | Fan Case Drain Hydraulic Hose |
| 6 | 7263 | Fitting - Tee - 1/2" JIC M - M - F |

| | | | |
|--------------|--|---------------------|------------|
| Title | Airguard Blockage Prevention System Upgrade Instructions | RELEASE DATE | 2023-03-01 |
| STEP | 15. Complete the hydraulic installation by ensuring that all connections made in Step 8 to 12 are tightened. Position/Routing of hydraulic hoses may vary to suit each specific machine installation. Zip tie hoses to reduce wear and ensure tidy installation. | REV # | 1.0 |
| | | PART KIT # | Varies |



COMPLETED INSTALLATION WITH NO SNORKEL

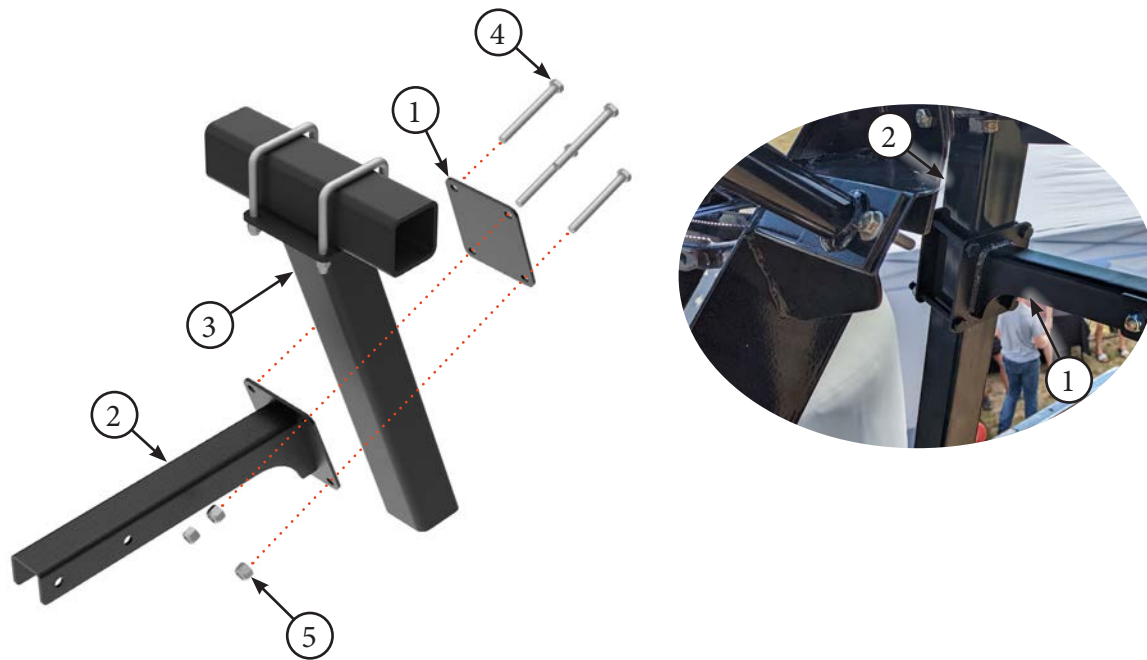
| | | | |
|--------------|---|---------------------|------------|
| Title | Airguard Blockage Prevention System Upgrade Instructions | RELEASE DATE | 2023-03-01 |
| STEP | 16. For specific models as per below. Install the brackets (Item 1 & 2) onto Aircart HSS Frame (Item 3) using supplied 12mm x 130mm bolts (Item 4) and 12mm lock nuts (Item 5). | REV # | 1.0 |
| | | PART KIT # | Varies |

MODEL SPECIFIC CONNECTION - KIT 9050:

Flexicoil: 3560, 4460-9560, 60 Series

Case IH: 2355, 3445-3555, 3915, 4465-4955

New Holland: P2350-P4950



| PARTS LIST | | |
|------------|--------|---------------------------|
| Item | Part # | Description |
| 1 | 9046 | CNH Bracket Backing Plate |
| 2 | 9048 | CNH Mount Bracket |
| 3 | -- | Aircart HSS Frame |

| PARTS LIST | | |
|------------|--------|------------------------|
| Item | Part # | Description |
| 4 | 7862 | Hex Bolt, 12mm x 110mm |
| 5 | 7669 | Lock Nut, 12mm |

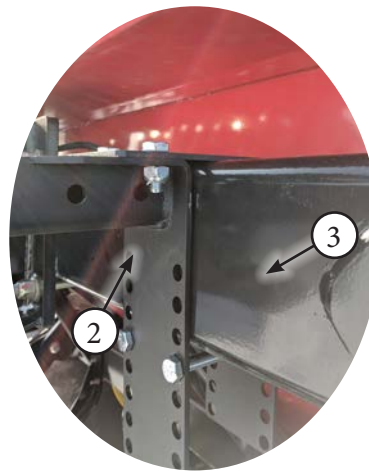
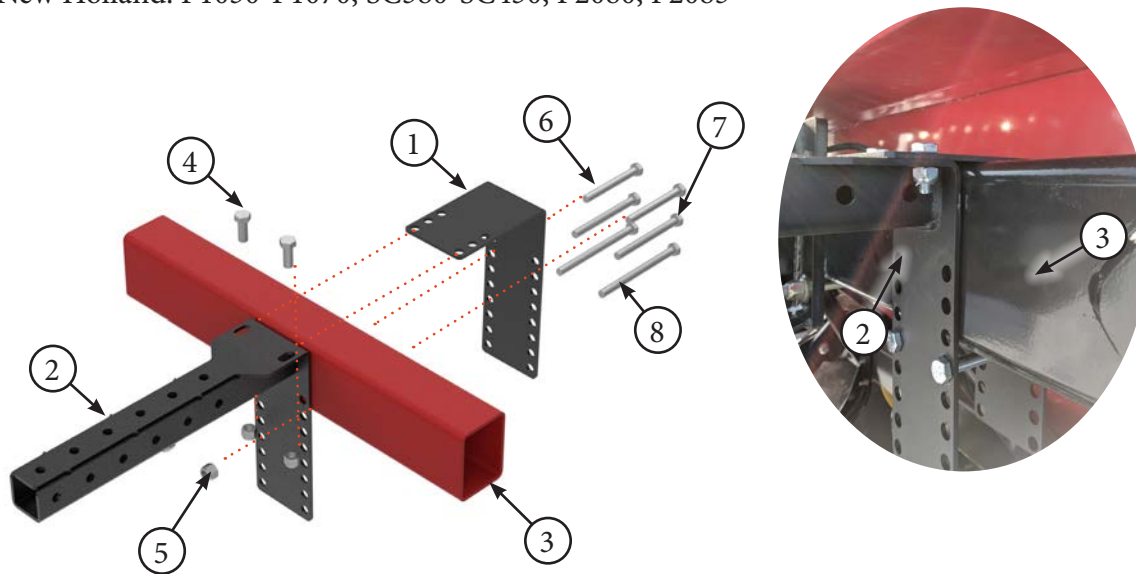
| | | | |
|--------------|---|---------------------|------------|
| Title | Airguard Blockage Prevention System Upgrade Instructions | RELEASE DATE | 2023-01-01 |
| STEP | 17. For installations on older aircarts, the universal snorkel mount can be used. Install the brackets (Item 1 & 2) onto Aircart HSS Frame (Item 3) using supplied hardware. Use 12mm x 30mm (Item 4) and 12mm lock nuts (Item 5) for top connection. Use 12mm x 110mm-160mm (Item 6, 7 or 8) and 12mm lock nuts (Item 5) for bottom connection. Bracket is designed to fit HSS Beams 3"-5" x 3"-10" in vertical or horizontal mount positions. | REV # | 1.0 |
| | | PART KIT # | Varies |

MODEL SPECIFIC CONNECTION - KIT 7860:

Flexicoil: 2320-3450, 3850-4350

Case IH: 2300-2330, 3380-3430, 3580, 500T, 550T

New Holland: P1030-P1070, SC380-SC430, P2080, P2085



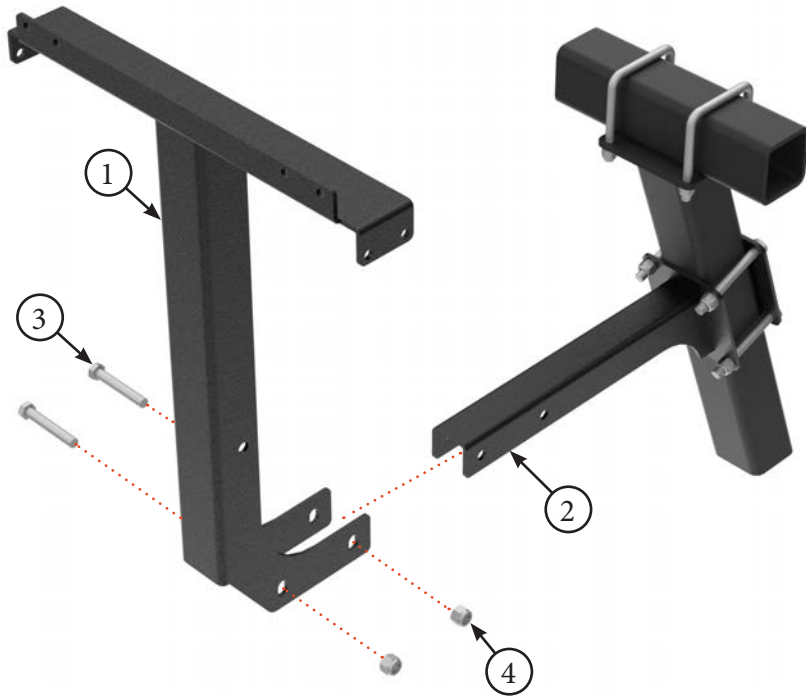
Tow Behind

| PARTS LIST | | |
|------------|--------|---------------------------------|
| Item | Part # | Description |
| 1 | 7869 | Adjustable HSS Backing Plate |
| 2 | 7873 | Adjustable HSS Bracket Assembly |
| 3 | -- | Aircart HSS Frame |
| 4 | 7861 | Hex Bolt, 12mm x 30mm |

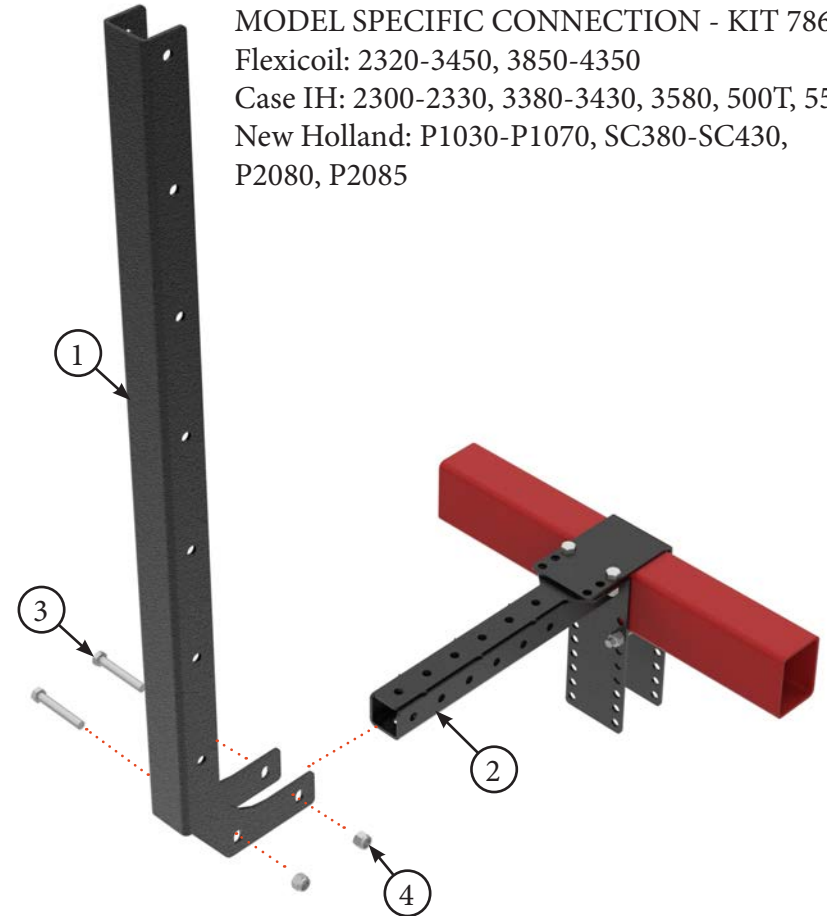
| PARTS LIST | | |
|------------|--------|------------------------|
| Item | Part # | Description |
| 5 | 7669 | Lock Nut, 12mm |
| 6 | 7862 | Hex Bolt, 12mm x 110mm |
| 7 | 7863 | Hex Bolt, 12mm x 130mm |
| 8 | 7864 | Hex Bolt, 12mm x 160mm |

| | | | |
|--------------|---|---------------------|------------|
| Title | Airguard Blockage Prevention System Upgrade Instructions | RELEASE DATE | 2023-03-01 |
| STEP | 18. Mount CNH Upper Mount Bracket /or/ Outer Vertical Channel (Item 1) to Bracket (Item 2) using supplied 12mm x 80mm Bolts (Item 3) and 12mm lock nuts (Item 4). | REV # | 1.0 |
| | | PART KIT # | Varies |

MODEL SPECIFIC CONNECTION - KIT 9050:
 Flexicoil: 3560, 4460-9560, 60 Series
 Case IH: 2355, 3445-3555, 3915, 4465-4955
 New Holland: P2350-P4950



MODEL SPECIFIC CONNECTION - KIT 7860:
 Flexicoil: 2320-3450, 3850-4350
 Case IH: 2300-2330, 3380-3430, 3580, 500T, 550T
 New Holland: P1030-P1070, SC380-SC430,
 P2080, P2085



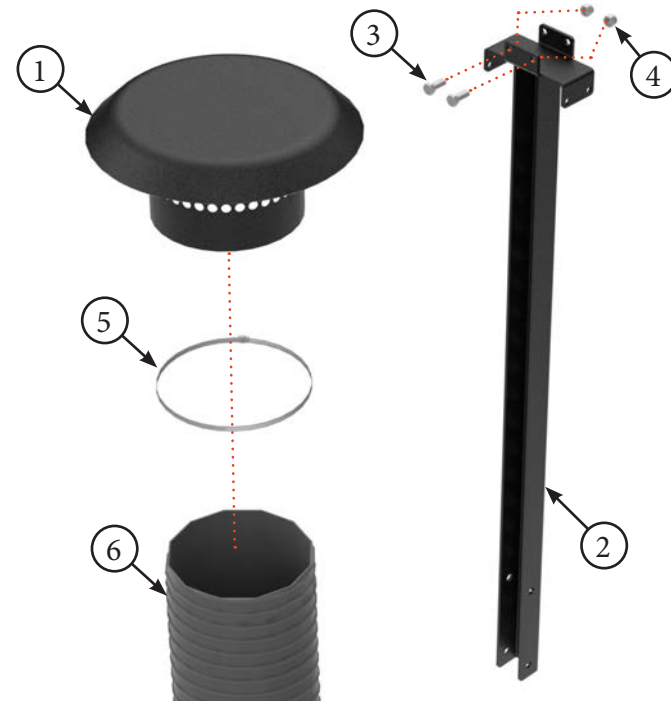
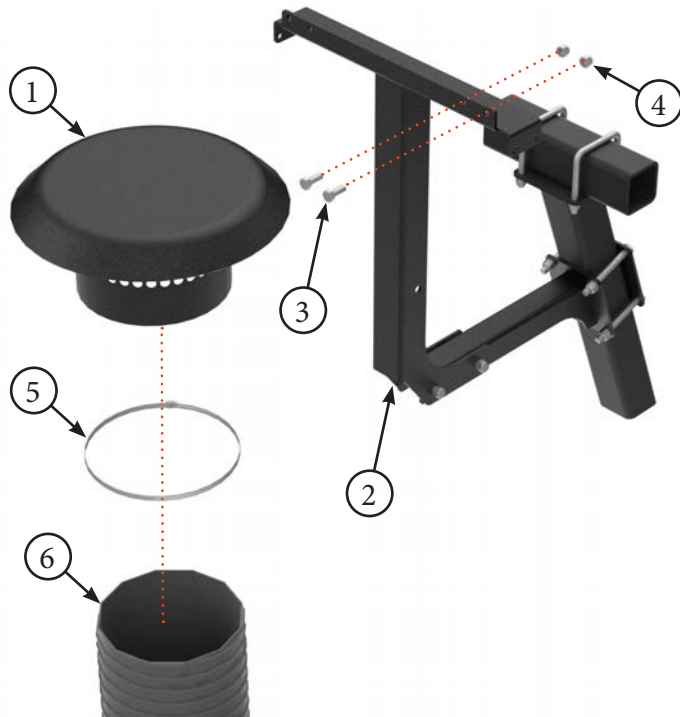
| PARTS LIST | | |
|------------|----------------|--|
| Item | Part # | Description |
| 1 | 9053 /or/ 7865 | CNH Upper Mount Bracket /or/ Outer Vertical Channel |
| 2 | 9048 /or/ 7873 | CNH Mount Bracket /or/ Adjustable HSS Bracket Assembly |

| PARTS LIST | | |
|------------|--------|-----------------------|
| Item | Part # | Description |
| 3 | 7859 | Hex Bolt, 12mm x 80mm |
| 4 | 7669 | Lock Nut, 12mm |

| | | | |
|--------------|--|---------------------|------------|
| Title | Airguard Blockage Prevention System Upgrade Instructions | RELEASE DATE | 2023-03-01 |
| STEP | 19. Attach air intakes (Item 1) to upper vertical channel (Item 2) using supplied 10mm x 25mm Bolts (Item 3) and 10mm lock nuts (Item 4). A maximum of 4 intakes can be mounted. Use bridge clamp (Item 5) to attach 8" flex hose (Item 6) to air intake (Item 1). | REV # | 1.0 |
| | | PART KIT # | Varies |

MODEL SPECIFIC CONNECTION - KIT 9050:
 Flexicoil: 3560, 4460-9560, 60 Series
 Case IH: 2355, 3445-3555, 3915, 4465-4955
 New Holland: P2350-P4950

MODEL SPECIFIC CONNECTION - KIT 7860:
 Flexicoil: 2320-3450, 3850-4350
 Case IH: 2300-2330, 3380-3430, 3580, 500T, 550T
 New Holland: P1030-P1070, SC380-SC430,
 P2080, P2085



| PARTS LIST | | |
|------------|----------------|---|
| Item | Part # | Description |
| 1 | 7576 | Air Intake Bracket |
| 2 | 9053 /or/ 7868 | CNH Upper Mount Bracket /or/ Upper Vertical Channel |
| 3 | 7515 | Hex Bolt, 10mm x 25mm |

| PARTS LIST | | |
|------------|--------|----------------------------|
| Item | Part # | Description |
| 4 | 7516 | Lock Nut, 10mm |
| 5 | 7578 | Bridge Clamp, 8" |
| 6 | 7572 | Flexible Snorkel Hose - 8" |

| | | | |
|--------------|--|---------------------|------------|
| Title | Airguard Blockage Prevention System Upgrade Instructions | RELEASE DATE | 2023-03-01 |
| STEP | 20. For universal snorkel mount on older models, determine desired height of air in-takes and secure upper vertical channel (Item 1) to lower vertical channel (Item 2) at that location. Use supplied 12mm x 80mm Bolts (Item 3) and 12mm lock nuts (Item 4). | REV # | 1.0 |
| | | PART KIT # | Varies |

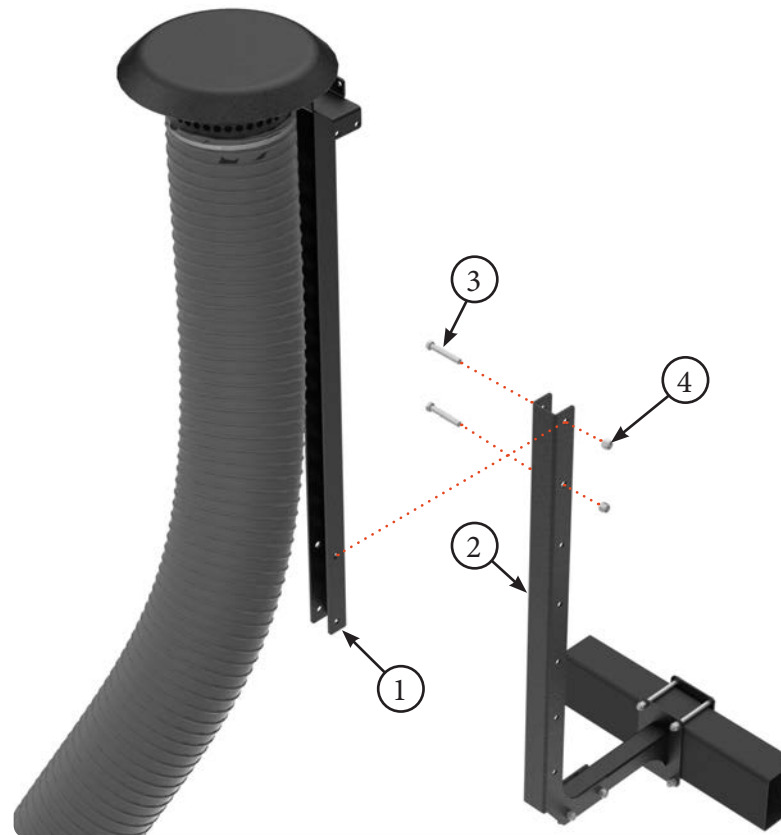
MODEL SPECIFIC CONNECTION - KIT 7860:

Flexicoil: 2320-3450, 3850-4350

Case IH: 2300-2330, 3380-3430, 3580, 500T, 550T

New Holland: P1030-P1070, SC380-SC430,

P2080, P2085



| PARTS LIST | | |
|------------|--------|------------------------|
| Item | Part # | Description |
| 1 | 7868 | Upper Vertical Channel |
| 2 | 7865 | Outer Vertical Channel |

| PARTS LIST | | |
|------------|--------|-----------------------|
| Item | Part # | Description |
| 3 | 7859 | Hex Bolt, 12mm x 80mm |
| 4 | 7669 | Lock Nut, 12mm |

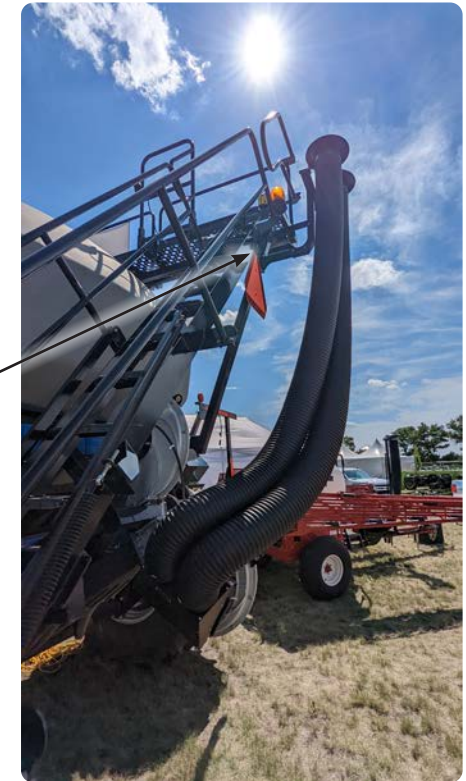
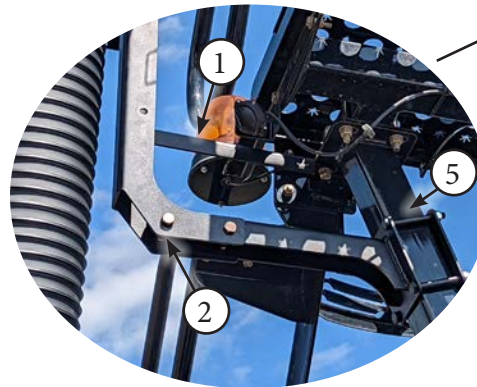
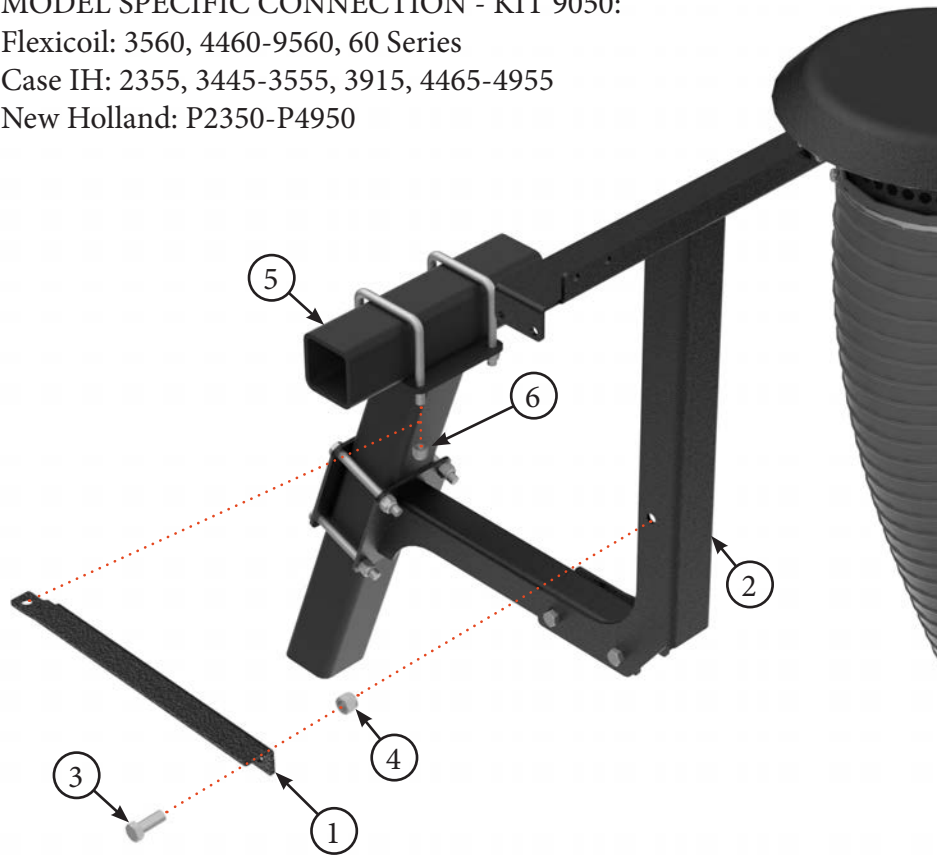
| | | | |
|--------------|--|---------------------|------------|
| Title | Airguard Blockage Prevention System Upgrade Instructions | RELEASE DATE | 2023-03-01 |
| STEP | 21. For specific models as per below, mount stabilizer bracket (Item 1) to CNH Upper Mount Bracket (Item 2) using supplied 12mm x 30mm Bolts (Item 3) and lock nuts (Item 4). Attach other end of stabilizer bracket (Item 1) to catwalk support (Item 5) using existing nut (Item 6). Tighten all bolts and nuts. | REV # | 1.0 |
| | | PART KIT # | Varies |

MODEL SPECIFIC CONNECTION - KIT 9050:

Flexicoil: 3560, 4460-9560, 60 Series

Case IH: 2355, 3445-3555, 3915, 4465-4955

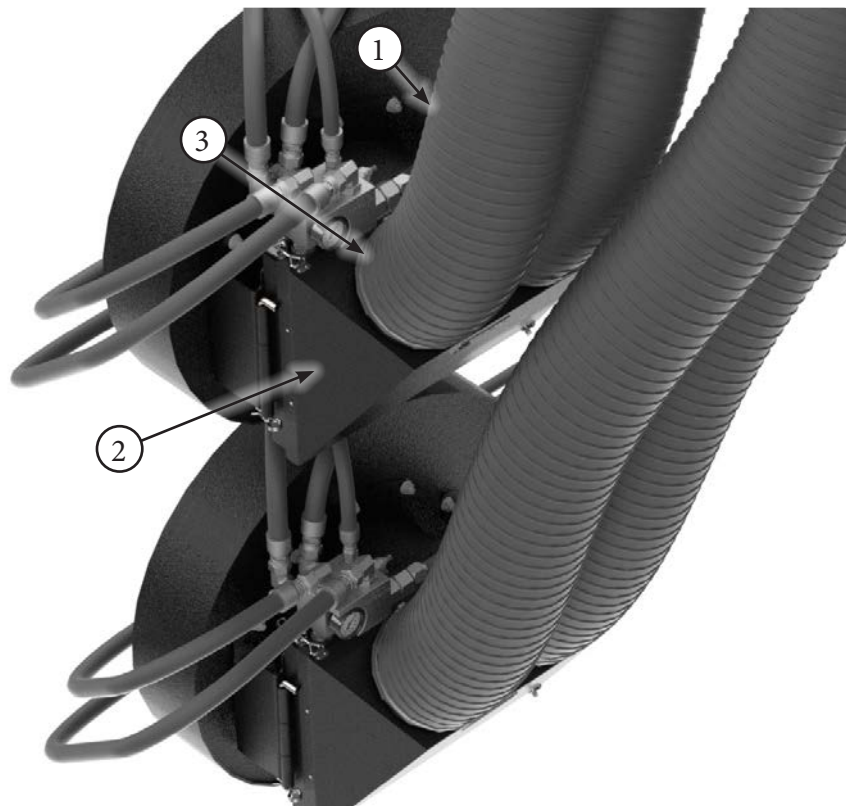
New Holland: P2350-P4950



| PARTS LIST | | |
|------------|--------|-------------------------|
| Item | Part # | Description |
| 1 | 9054 | Stabilizer Bracket |
| 2 | 9053 | CNH Upper Mount Bracket |
| 3 | 7861 | Hex Bolt, 12mm x 30mm |

| PARTS LIST | | |
|------------|--------|-----------------|
| Item | Part # | Description |
| 4 | 7669 | Lock Nut, 12mm |
| 5 | -- | Catwalk Support |
| 6 | -- | Existing Nut |

| | | | |
|--------------|--|---------------------|------------|
| Title | Airguard Blockage Prevention System Upgrade Instructions | RELEASE DATE | 2023-03-01 |
| STEP | 22. Attach 8” flex hose (Item 1) to snorkel housing (Item 2) using bridge clamp (Item 3). Zip tie 8” flex hoses to reduce wear and ensure tidy installation. | REV # | 1.0 |
| | | PART KIT # | Varies |

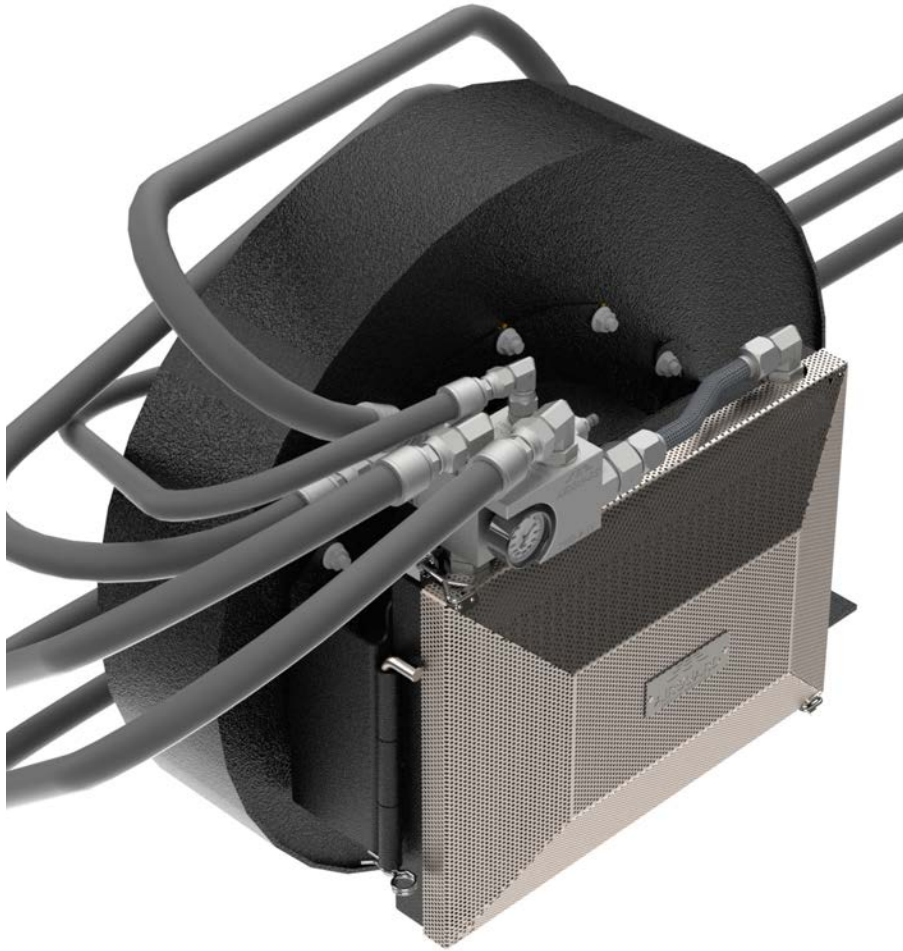


| PARTS LIST | | |
|------------|--------|------------------|
| Item | Part # | Description |
| 1 | 7977 | Snorkel Housing |
| 2 | 7578 | Bridge Clamp, 8” |

| PARTS LIST | | |
|------------|--------|----------------------------|
| Item | Part # | Description |
| 3 | 7572 | Flexible Snorkel Hose - 8” |

| | | | |
|--------------|--|---------------------|------------|
| Title | Airguard Blockage Prevention System Upgrade Instructions | RELEASE DATE | 2023-03-01 |
| STEP | Installation is Completed. Ensure all hydraulic connections and bolts are tightened. | REV # | 1.0 |
| | | PART KIT # | Varies |

COMPLETED INSTALLATION WITH NO SNORKEL



COMPLETED INSTALLATION WITH SNORKELS

