

PART KIT INSTALL INSTRUCTIONS

Bourgault Aircarts

Part Kit #VARIES - Rev 1.0 - AIRGUARD - Blockage Prevention System

Release Date: 2023-03-01




AIRGUARD
SEEDING PRECISION

Title	Airguard Blockage Prevention System Upgrade Instructions	RELEASE DATE	2023-03-01
STEP	1. For installations on both fans with rear hitch, the fan will need to be shifted over for sufficient room to install the BP System. Disconnect flexible outlet hose (Item 1) from the fan outlet on fan #1 and/or fan #2. Loosen the U-Bolts / Bolts (Item 2) that hold the fan mount bracket to the axle. In some cases the U-Bolts / Bolts may need to be removed completely and reinstalled in the new location. Allow for 10-12” of space between the fan motor and the intake screen of the neighboring fan. A 7” flexible hose extension kit (Item 4) will be required when moving fan over. See pages 3-6 for specific relocation bracket installation instructions. If installation is only on the outside fan, remove deflector shield (Item 3) and skip to page 8.	REV #	1.0
		PART KIT #	Varies

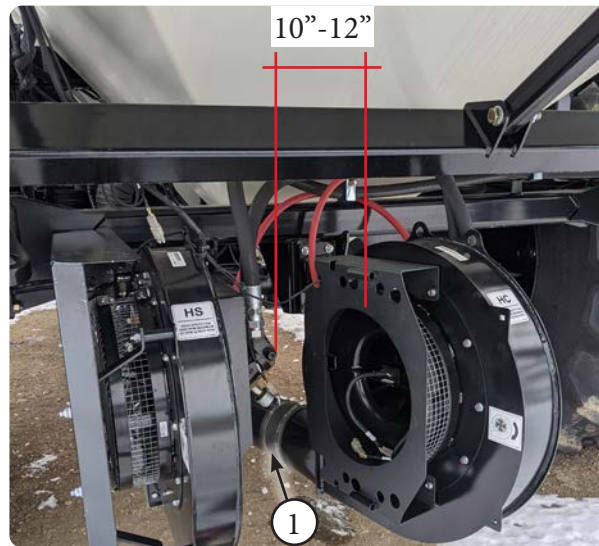
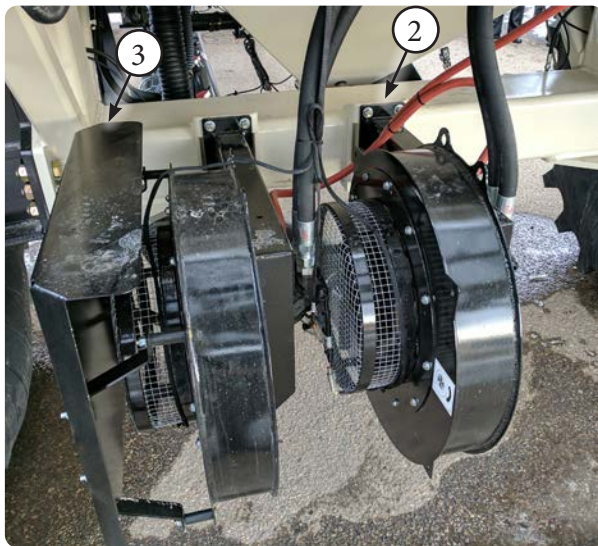
MODEL SPECIFIC CONNECTION WHEN INSTALLING ON
BOTH FANS WITH REAR HITCH: KIT #7923 or 9070

6000 Series Tow Behind

7000 Series Tow Behind

L9000 Series Tow Between

WARNING: Support fan housing from below with a jack or above with hoist to avoid injury and so no extra stress is put on the hydraulic hose connections



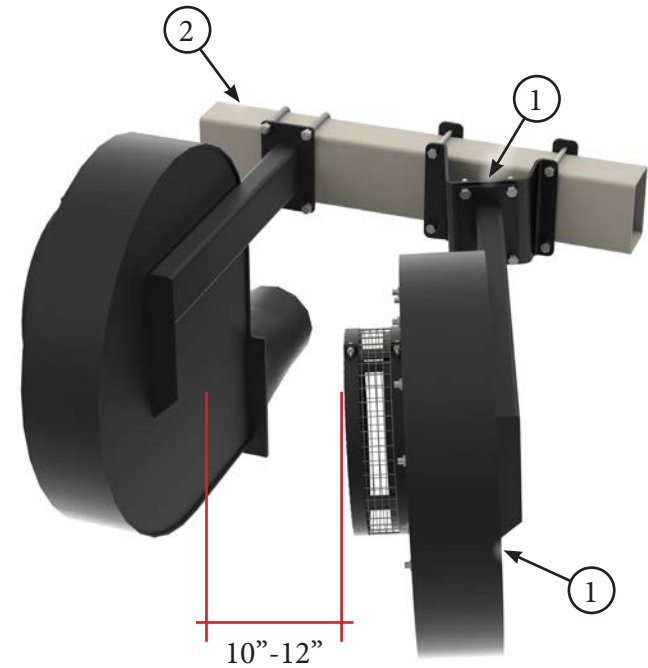
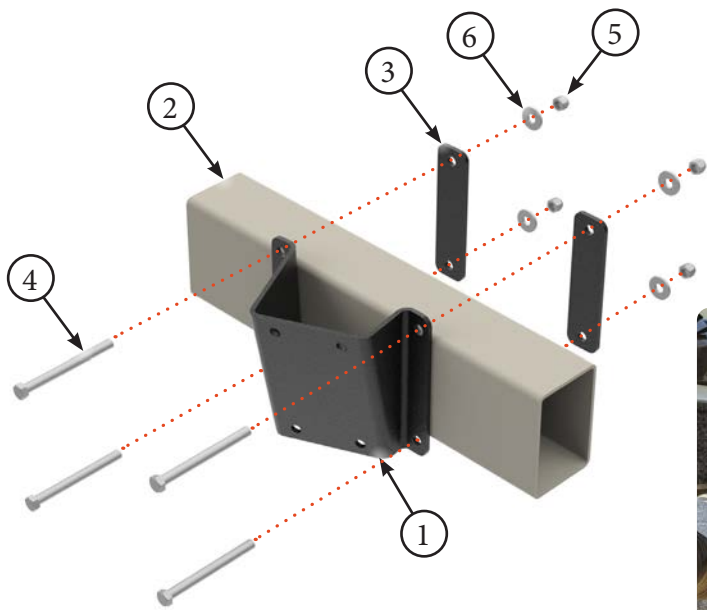
PARTS LIST		
Item	Part #	Description
1	--	Flexible Outlet Hose
2	--	Existing Hardware U-Bolts / Bolts

PARTS LIST		
Item	Part #	Description
3	--	Deflector Screen
4	7923 /or/ 9070	7” Flexible Hose

Title	Airguard Blockage Prevention System Upgrade Instructions	RELEASE DATE	2023-03-01
STEP	2. For Tow Behind installations with no rear hitch, for specific models as per below. Bolt 45 deg bracket (Item 1) to Axle HSS (Item 2) using backing plates (Item 3), 12mm x 130mm Bolts (Item 4) and 12mm Lock Nuts (Item 5) and Flat Washers (Item 6). Unbolt the fan (Item 7) from the Axle HSS (Item 2) and rebolt onto the 45deg bracket (Item 1) using the existing hardware from the Fan.	REV #	1.0
		PART KIT #	Varies

MODEL SPECIFIC CONNECTION WHEN INSTALLING ON INSIDE FAN OR ON BOTH FANS AND NO REAR HITCH: KIT #7945

6000series - Tow Behind
7000series - Tow Behind

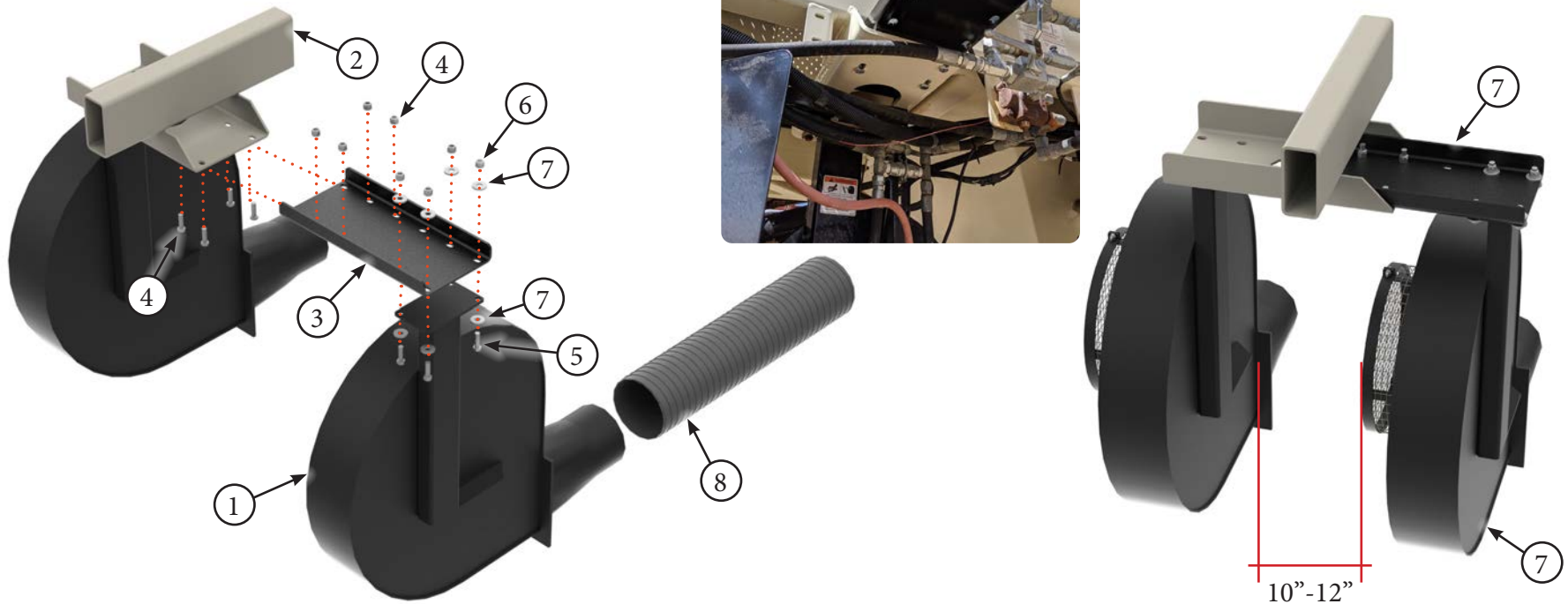


PARTS LIST		
Item	Part #	Description
1	7942	45deg Bracket
2	--	Axle HSS
3	7943	Backing Plate
4	7863	Hex Bolt, 12mm x 130mm

PARTS LIST		
Item	Part #	Description
5	7669	Lock Nut, 12mm
6	7925	Flat Washer, 12mm
7	--	Fan

Title	Airguard Blockage Prevention System Upgrade Instructions	RELEASE DATE	2023-03-01
STEP	3. For L6000 Series tow between installations, for specific models as per below. Remove outside fan (Item 1) from Aircart Frame (Item 2). Bolt extension bracket (Item 3) to Aircart Frame (Item 2) using existing hardware (Item 4). Reattach fan (Item 1) to extension bracket (Item 3) using 12mm x 40mm Bolts (Item 5) and 12mm Lock Nuts (Item 6) and Flat Washers (Item 7). A 7" flexible hose extension kit (Item 8) will be required when moving fan over.	REV #	1.0
		PART KIT #	Varies

MODEL SPECIFIC CONNECTION WHEN INSTALLING ON OUTSIDE FAN OR ON BOTH FANS: KIT #7923 & 7924
L6000series - Tow Between

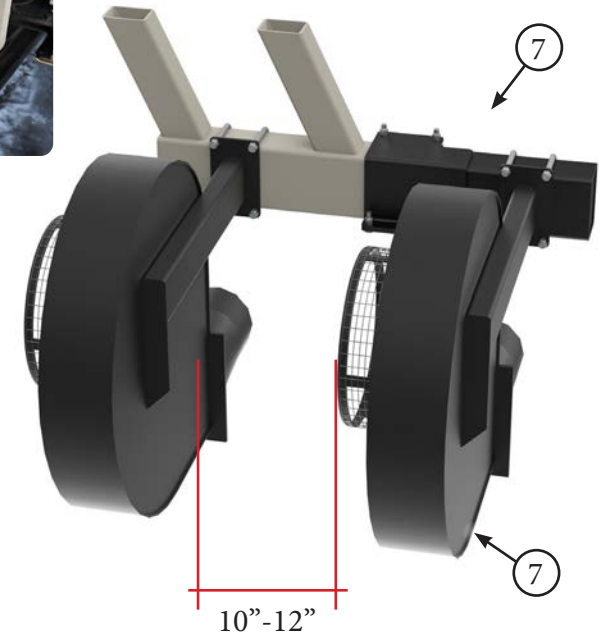
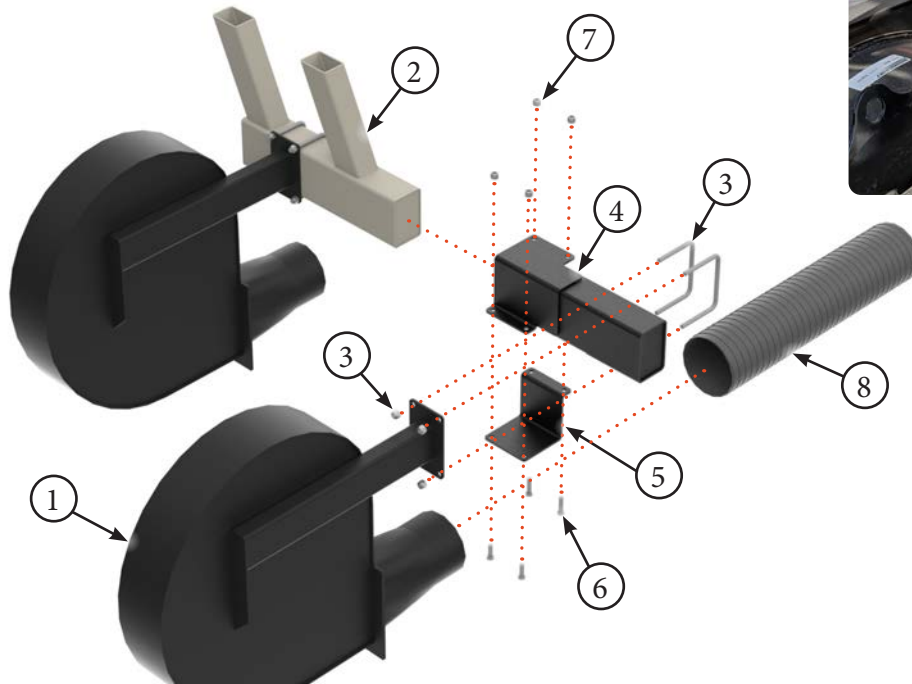


PARTS LIST		
Item	Part #	Description
1	--	Fan
2	--	Aircart Frame
3	7922	Extension Bracket
4	--	Existing Hardware

PARTS LIST		
Item	Part #	Description
5	7671	Hex Bolt, 12mm x 40mm
6	7669	Lock Nut, 12mm
7	7925	Flat Washer, 12mm
8	7923	7" Flexible Hose

Title	Airguard Blockage Prevention System Upgrade Instructions	RELEASE DATE	2023-03-01
STEP	4. For L7000 Series tow between installations, for specific models as per below. Remove outside fan (Item 1) from Aircart Frame (Item 2). Bolt extension bracket (Item 4) to Aircart Frame (Item 2) using bracket plate (Item 5) with 12mm x 40mm Bolts (Item 6) and 12mm Lock Nuts (Item 7). Reattach fan (Item 1) to extension bracket (Item 4) using existing U-bolts and nuts (Item 3). A 7" flexible hose extension kit (Item 8) will be required when moving fan over.	REV #	1.0
		PART KIT #	Varies

MODEL SPECIFIC CONNECTION WHEN INSTALLING ON OUTSIDE FAN OR ON BOTH FANS: KIT #7923 & 7850
L7000series - Tow Between

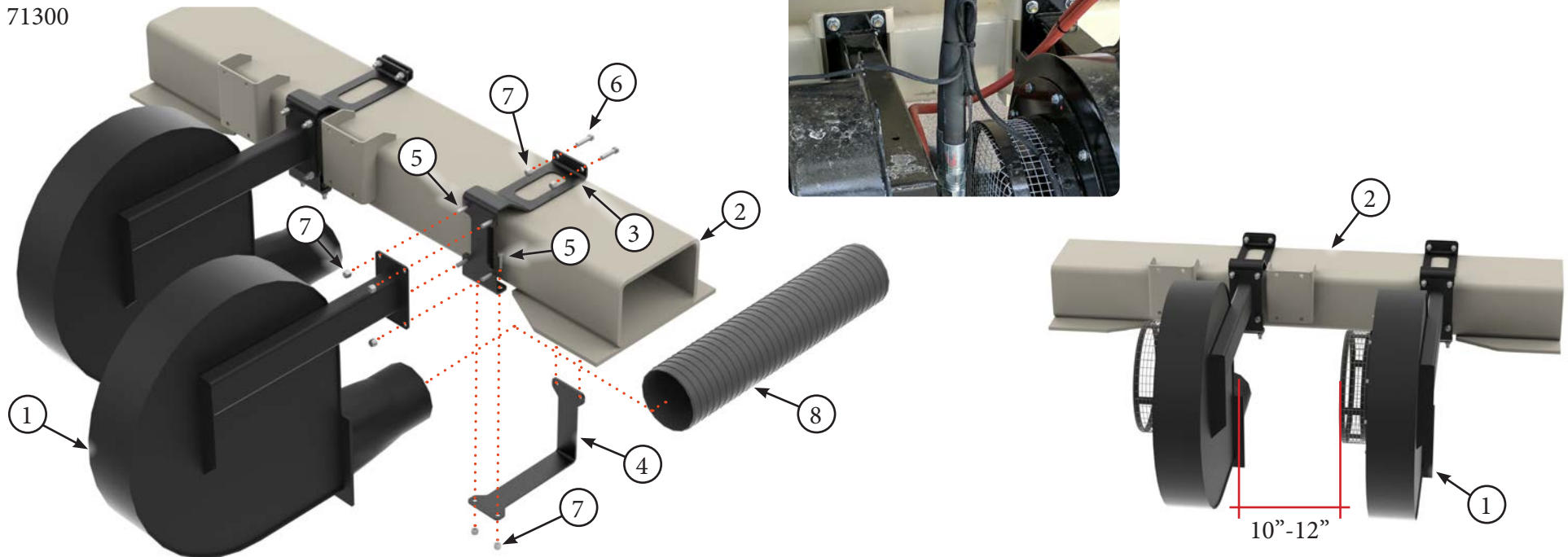


PARTS LIST		
Item	Part #	Description
1	--	Fan
2	--	Aircart Frame
3	--	Existing Hardware
4	7845	Extension Bracket

PARTS LIST		
Item	Part #	Description
5	7846	Extension Bracket Plate
6	7671	Hex Bolt, 12mm x 40mm
7	7669	Lock Nut, 12mm
8	7923	7" Flexible Hose

Title	Airguard Blockage Prevention System Upgrade Instructions	RELEASE DATE	2023-03-01
STEP	5. For 71300 Series Aircart installations with rear hitch, remove inside fan (Item 1) from axle HSS (Item 2). Bolt fan bracket (Item 3) to Axle HSS (Item 2) using bracket plate (Item 4) with 12mm x 40mm Bolts (Item 5), 12mm x 50mm Bolts (Item 6) and 12mm Lock Nuts (Item 7). Reattach fan (Item 1) to fan bracket (Item 3) using 12mm x 40mm bolts (Item 5) and 12mm Lock Nuts (Item 7). A 7" flexible hose extension kit (Item 8) will be required when moving fan over. When rear hitch is present, both fans must be moved over with fan brackets.	REV #	1.0
		PART KIT #	Varies

MODEL SPECIFIC CONNECTION WHEN INSTALLING ON INSIDE FAN OR ON BOTH FANS WITH REAR HITCH : KIT #7923 & 7670
71300

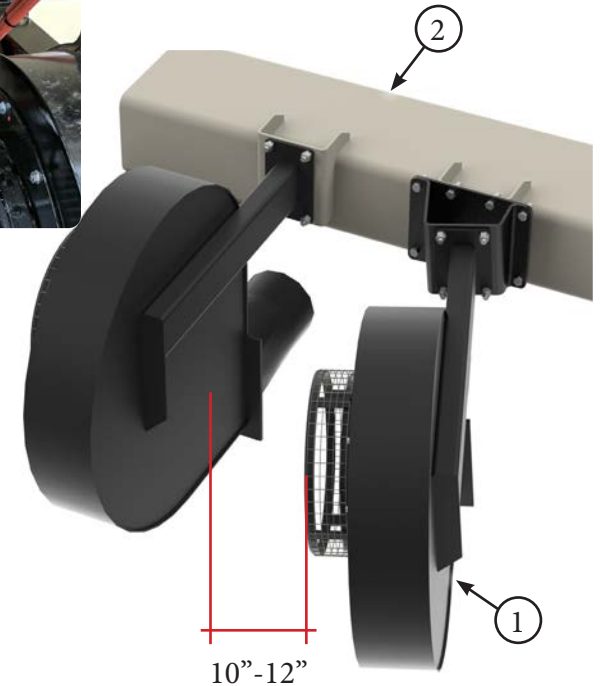
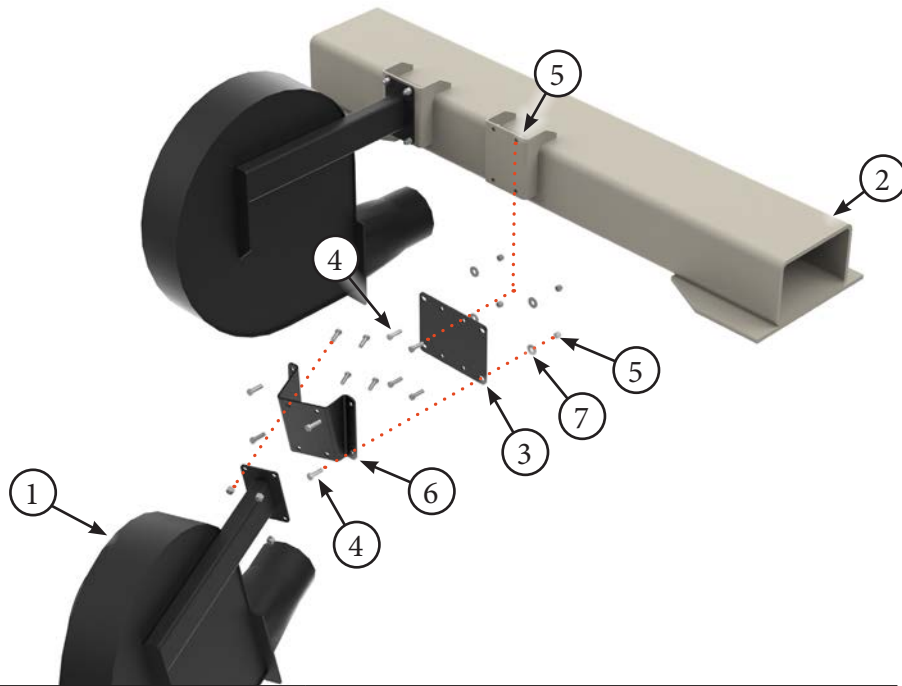


PARTS LIST		
Item	Part #	Description
1	--	Fan
2	--	Aircart Frame
3	7665	Fan Bracket
4	7668	Bracket Plate

PARTS LIST		
Item	Part #	Description
5	7672	Hex Bolt, 12mm x 50mm
6	7671	Hex Bolt, 12mm x 40mm
7	7669	Lock Nut, 12mm
8	7923	7" Flexible Hose

Title	Airguard Blockage Prevention System Upgrade Instructions	RELEASE DATE	2023-03-01
STEP	6. For 71300 Series Aircart installations with no rear hitch, remove inside fan (Item 1) from axle HSS (Item 2). Bolt fan bracket plate (Item 3) to Axle HSS (Item 2) using 12mm x 40mm Bolts (Item 4) and 12mm Lock Nuts (Item 5). Mount Angle Bracket (Item 6) to fan bracket plate (Item 3) using 12mm x 40mm Bolts (Item 4), 12mm washers (Item 7) and 12mm Lock Nuts (Item 5). Reattach fan (Item 1) to Angle bracket (Item 6) using existing hardware.	REV #	1.0
		PART KIT #	Varies

MODEL SPECIFIC CONNECTION WHEN INSTALLING ON INSIDE FAN OR ON BOTH FANS AND NO REAR HITCH : KIT #9075
71300



PARTS LIST		
Item	Part #	Description
1	--	Fan
2	--	Aircart Axle HSS
3	9074	Fan Bracket Plate
4	7671	Hex Bolt, 12mm x 40mm

PARTS LIST		
Item	Part #	Description
5	7669	Lock Nut, 12mm
6	--	Angle Bracket
7	7925	Flat Washer, 12mm

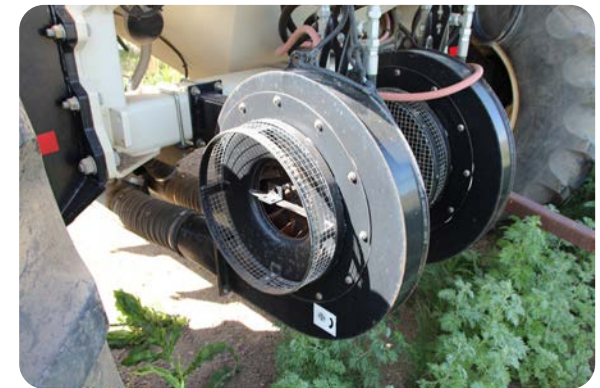
Title	Airguard Blockage Prevention System Upgrade Instructions	RELEASE DATE	2023-03-01
STEP	7. For HC, HS and HP Fans with screen cages, remove existing fan screen (Item 1) from the fan housing (Item 2) by removing the outer flatbar ring (Item 3). Screen material (Item 1) must be cut to free sensor plug.	REV #	1.0
		PART KIT #	Varies

MODEL SPECIFIC CONNECTION:
FANS WITH FIXED SCREEN CAGES

HC Fans

HS Fans

HP Fans



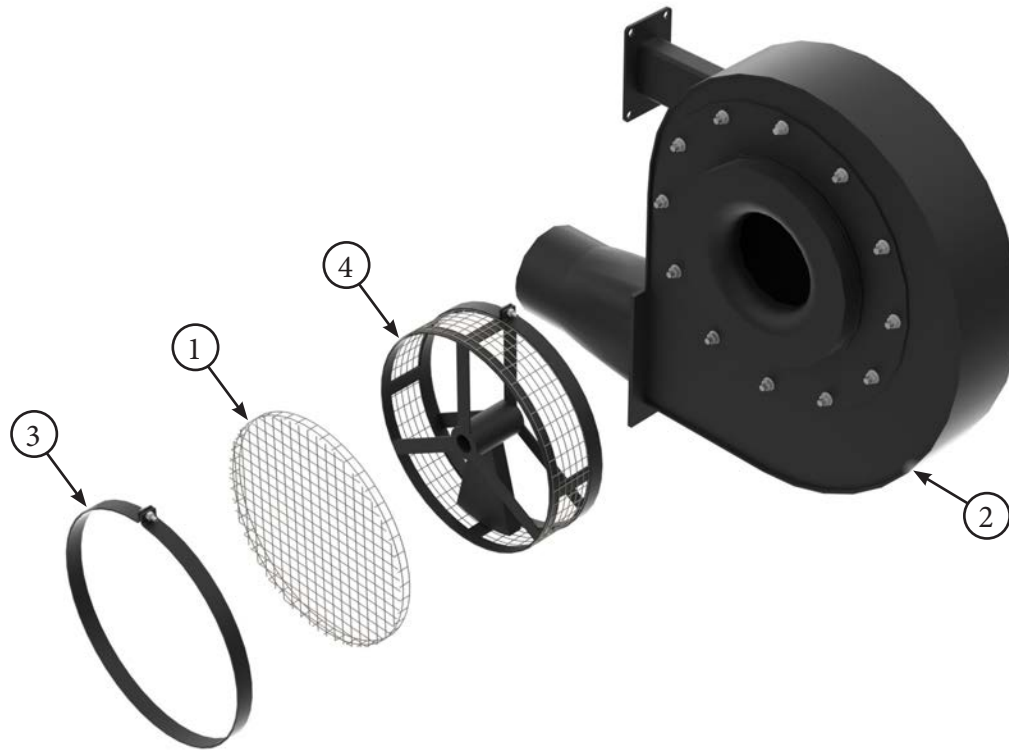
PARTS LIST		
Item	Part #	Description
1	--	Fan Screen
2	--	Fan Housing

PARTS LIST		
Item	Part #	Description
3	--	Outer Flat Bar Ring

Title	Airguard Blockage Prevention System Upgrade Instructions	RELEASE DATE	2023-03-01
STEP	8. For HC, HS and HP Fans with spinner screens, remove existing fan screen (Item 1) from the fan housing (Item 2) by removing the outer flatbar ring (Item 3). Remove existing fan spinner screen assembly parts (Item 4) from the fan housing (Item 2). All spinner parts including center shaft should be removed. Screen material (Item 1) must be cut to free sensor plug.	REV #	1.0
		PART KIT #	Varies

MODEL SPECIFIC CONNECTION:
FANS WITH SPINNER SCREEN CAGES

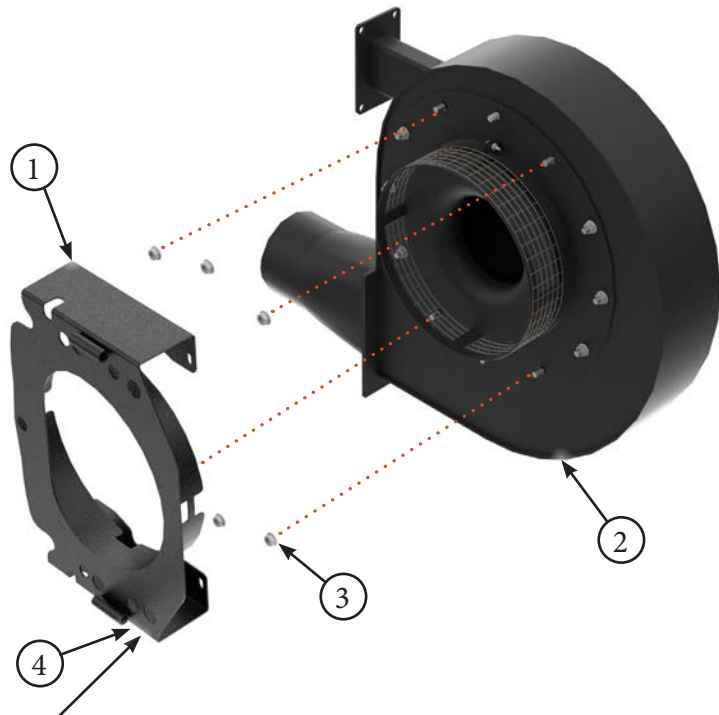
- HC Fans
- HS Fans
- HP Fans



PARTS LIST		
Item	Part #	Description
1	--	Fan Screen Spinner Assembly
2	--	Fan Housing

PARTS LIST		
Item	Part #	Description
3	--	Fan Screen

Title	Airguard Blockage Prevention System Upgrade Instructions	RELEASE DATE	2023-03-01
STEP	9. Install supplied mounting bracket (Item 1) to fan housing (Item 2) using existing bolts and nuts (Item 3). Angle mount bracket in a position that ensures the supplied hydraulic hoses reach the fan motor. Additional holes in bracket face (Item 4) are for easy access with an impact driver. For Kit #9640, bracket will need to be bolted together using supplied hardware and plates. Bracket may look different than shown below.	REV #	1.0
		PART KIT #	Varies



Additional holes in bracket face are for easy access with an impact driver.

Bolt Bracket together with plates, using 1/4" x 3/4" Bolts and 1/4" Nuts.

Use Kit # 9510 for the following Models:

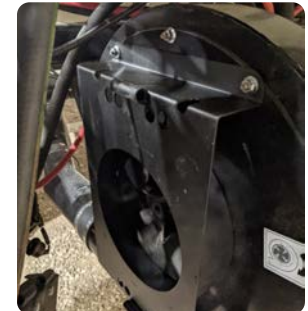
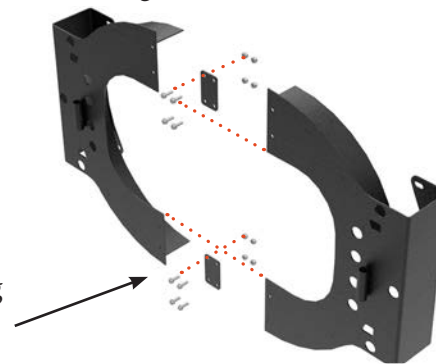
- 4000series
- 5000series
- 6000series HS & HC Fans
- 7000series HS & HC Fans
- 8000series HS & HC Fans
- 9000series HS & HC Fans

Use Kit # 9610 for the following Models with screen spinners:

- 7000series HP Fans
- 8000series HP Fans
- 9000series HP Fans

Use Kit # 9640 for the following Models with Screens attached to fan housing:

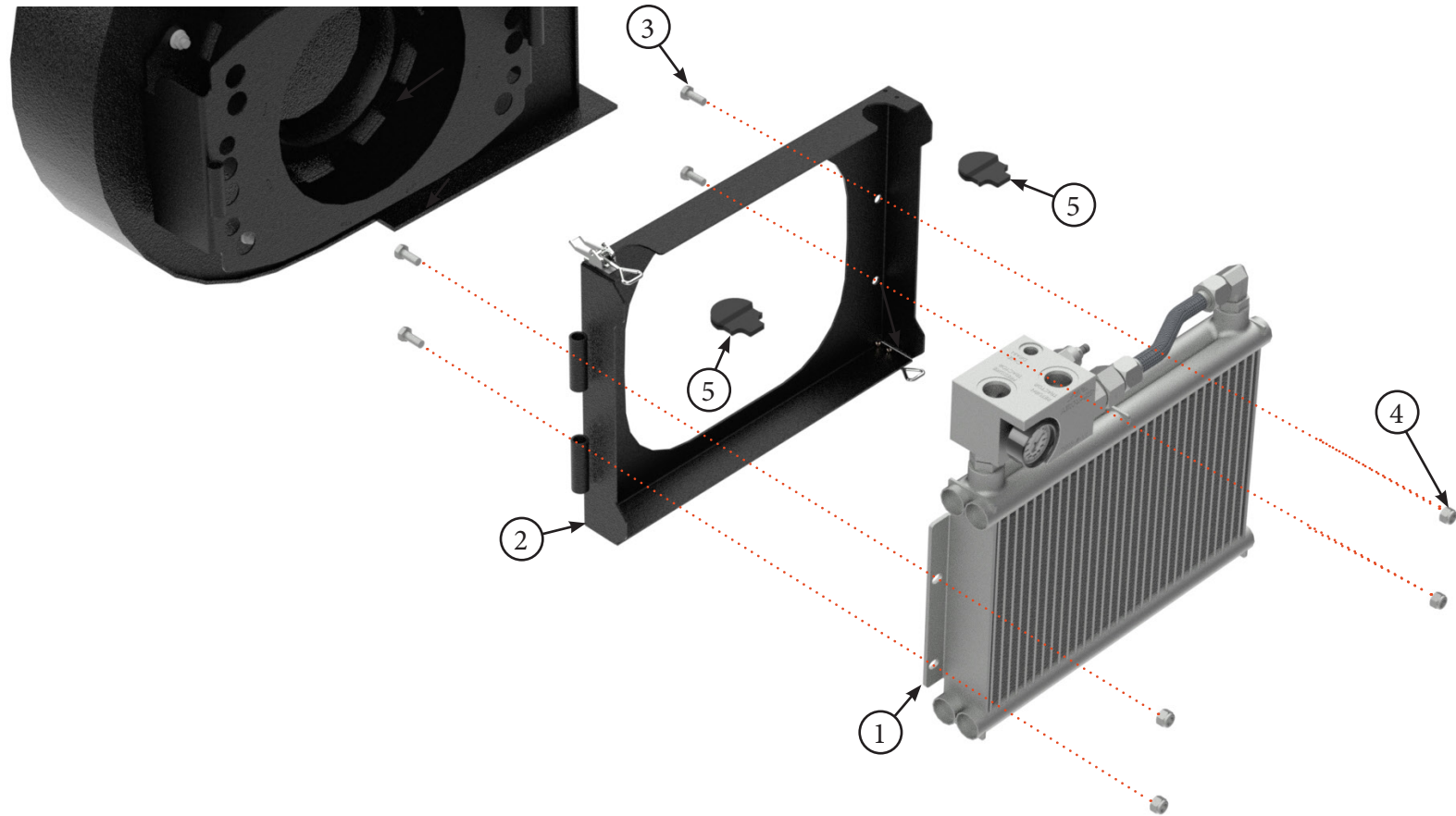
- 7000series HP Fans
- 8000series HP Fans
- 9000series HP Fans



PARTS LIST		
Item	Part #	Description
1	7553 / or / 9019	REM RT Fan Bracket / or / Tsunami Blower Bracket
2	--	REM Fan Housing / or / Tsunami Blower Housing

PARTS LIST		
Item	Part #	Description
3	--	Existing Hardware

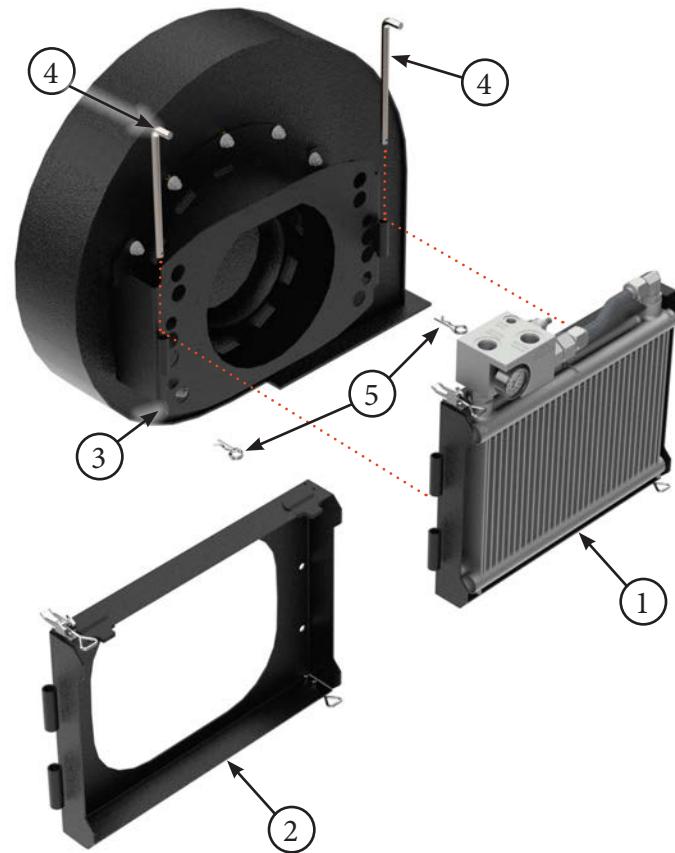
Title	Airguard Blockage Prevention System Upgrade Instructions	RELEASE DATE	2023-03-01
STEP	10. Bolt Oil Cooler/Radiator Assembly (Item 1) to BP System Bracket (Item 2) using supplied 10mm x 25mm Bolts (Item 3) and 10mm lock nuts (Item 4). If only installing snorkel kit without Radiator, then install plastic plugs (Item 5) onto BP System Bracket (Item 2). This step of the installation may already be completed at the Airguard factory prior to shipping.	REV #	1.0
		PART KIT #	Varies



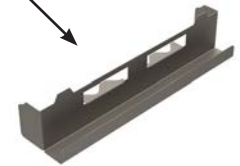
PARTS LIST		
Item	Part #	Description
1	7996	Oil Cooler and Manifold Assembly
2	7546	Main BP System Bracket
3	7515	Hex Bolt, 10mm x 25mm Grade 8.8

PARTS LIST		
Item	Part #	Description
4	7516	Lock Nut, 10mm Grade 8.8
5	7683	BP System Bracket Plug

Title	Airguard Blockage Prevention System Upgrade Instructions	RELEASE DATE	2023-03-01
STEP	11. Remove the plastic packaging materials prior to the assembly of these brackets. Mount BP System Main Bracket with Oil Cooler (Item 1) or Main Bracket with Plugs (Item 2) to Fan bracket (Item 3) using supplied pivot pins (Item 4). Secure in place with 3.5mm cotter pins (Item 5).	REV #	1.0
		PART KIT #	Varies



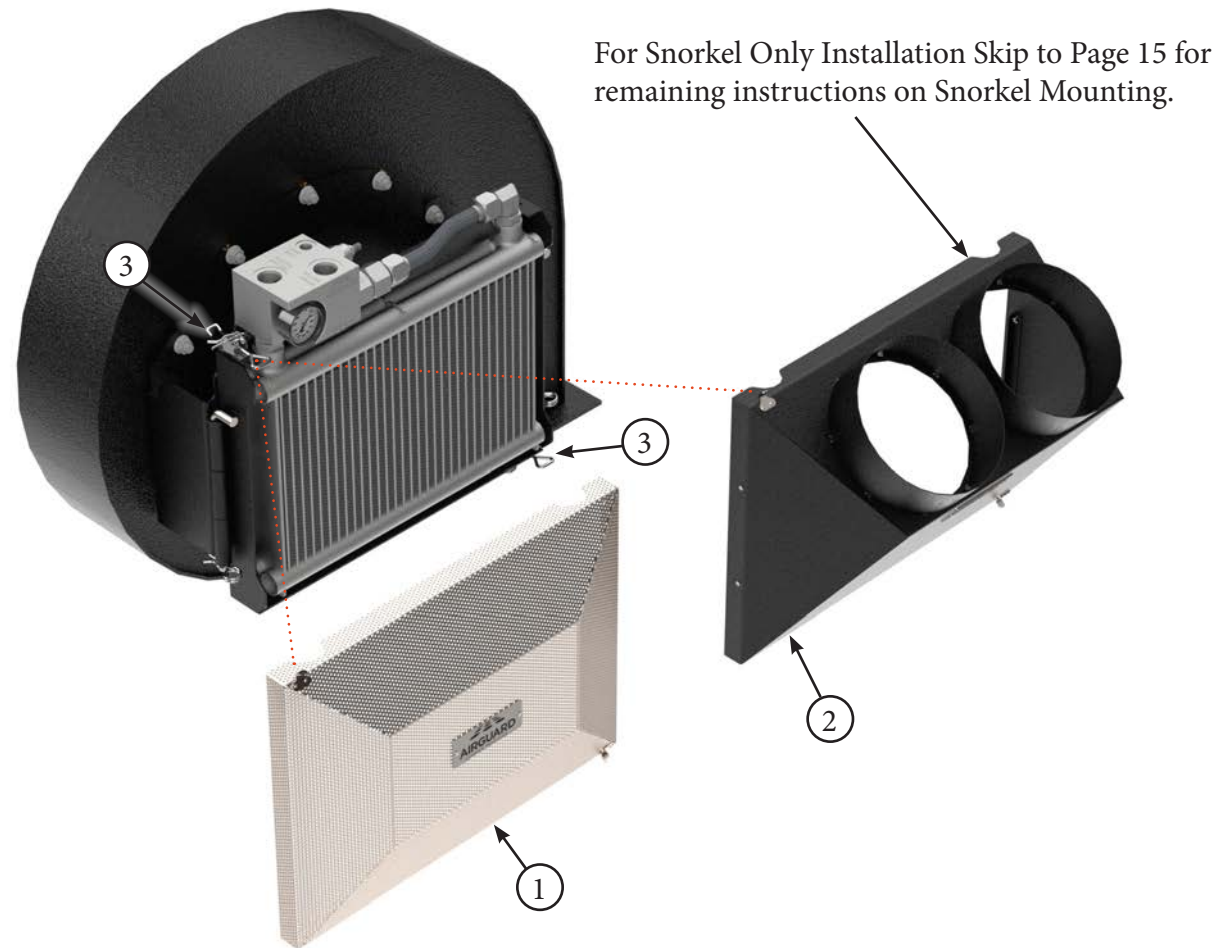
Remove Packaging material and discard, prior to install.



PARTS LIST		
Item	Part #	Description
1	--	BP System Main Bracket with Oil Cooler
2	--	BP System Main Bracket with Plugs for Snorkel Only Install
3	--	REM RT Fan Bracket / or / Tsunami Blower Bracket

PARTS LIST		
Item	Part #	Description
4	7502	Pivot Pin For BP Systems
5	7513	3.5mm Cotter Pin

Title	Airguard Blockage Prevention System Upgrade Instructions	RELEASE DATE	2023-03-01
STEP	12. Attach Mesh Screen (Item 1) or Snorkel Housing (Item 2) to front of BPS using latches (Item 3).	REV #	1.0
		PART KIT #	Varies

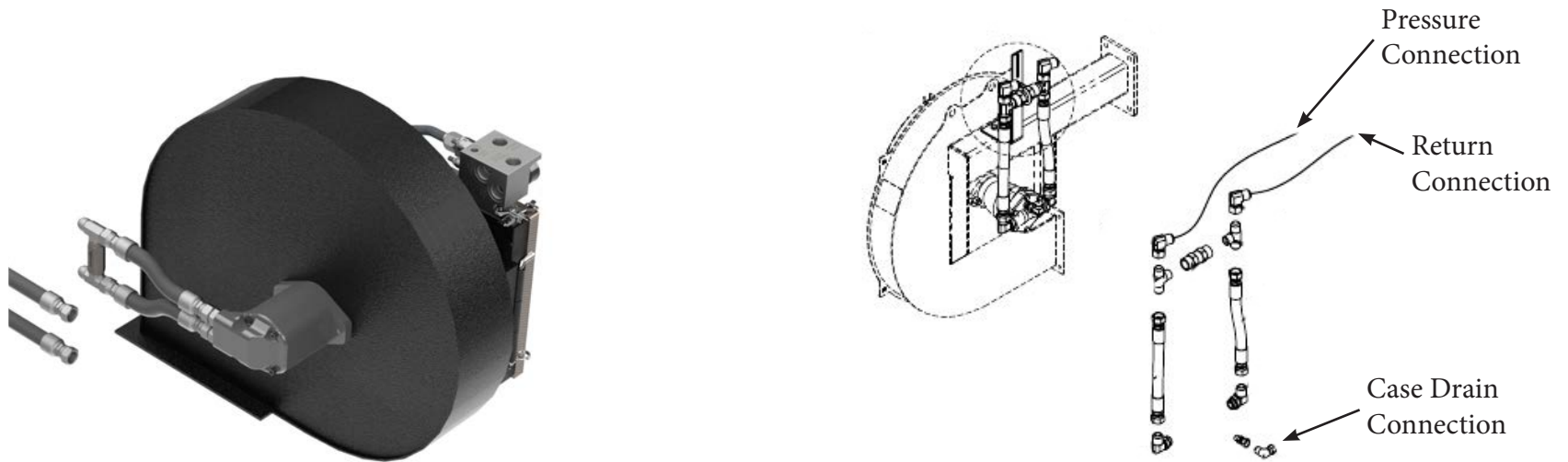


PARTS LIST		
Item	Part #	Description
1	7568	Mesh Screen
2	7977	Snorkel Housing

PARTS LIST		
Item	Part #	Description
3	--	Overcenter Latch

Title	Airguard Blockage Prevention System Upgrade Instructions	RELEASE DATE	2023-03-01
STEP	13. Identify the model of aircart that the Airguard Blockage Prevention System is being installed on. For models with external check valves, the connections must be made on the tractor side of the hydraulic circuit as shown below.	REV #	1.0
		PART KIT #	Varies

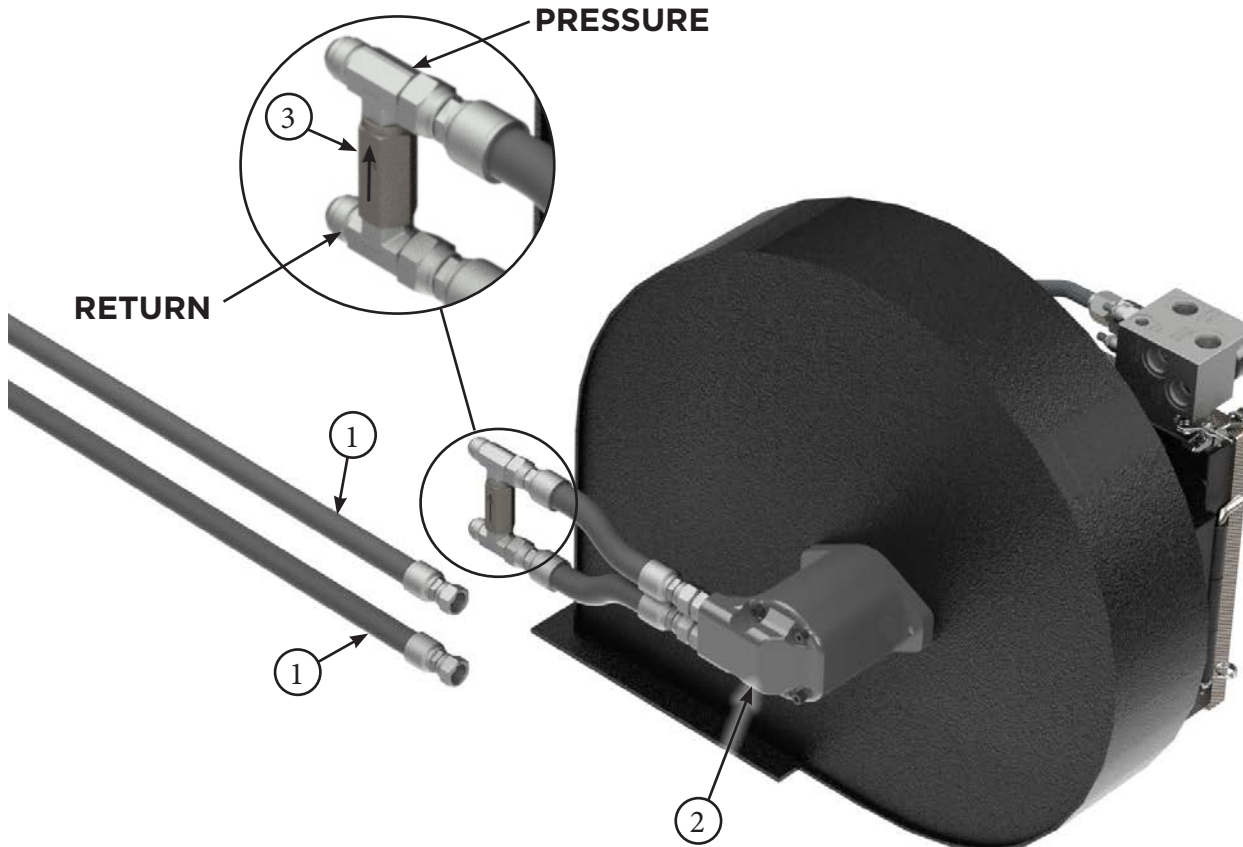
Installation with External Check Valve:



Installation with Internal Check Valve:



Title	Airguard Blockage Prevention System Upgrade Instructions	RELEASE DATE	2023-03-01
STEP	14. Remove factory hoses (Item 1) from side of fan motor (Item 2). Remove the hoses (Item 1) on the tractor side of the external check valve, as shown below. Identify which hose is the pressure side of the circuit. The external check valve will have a directional arrow that always points to the pressure side. If you do not have an external check valve you will attach directly to the fan motor.	REV #	1.0
		PART KIT #	Varies

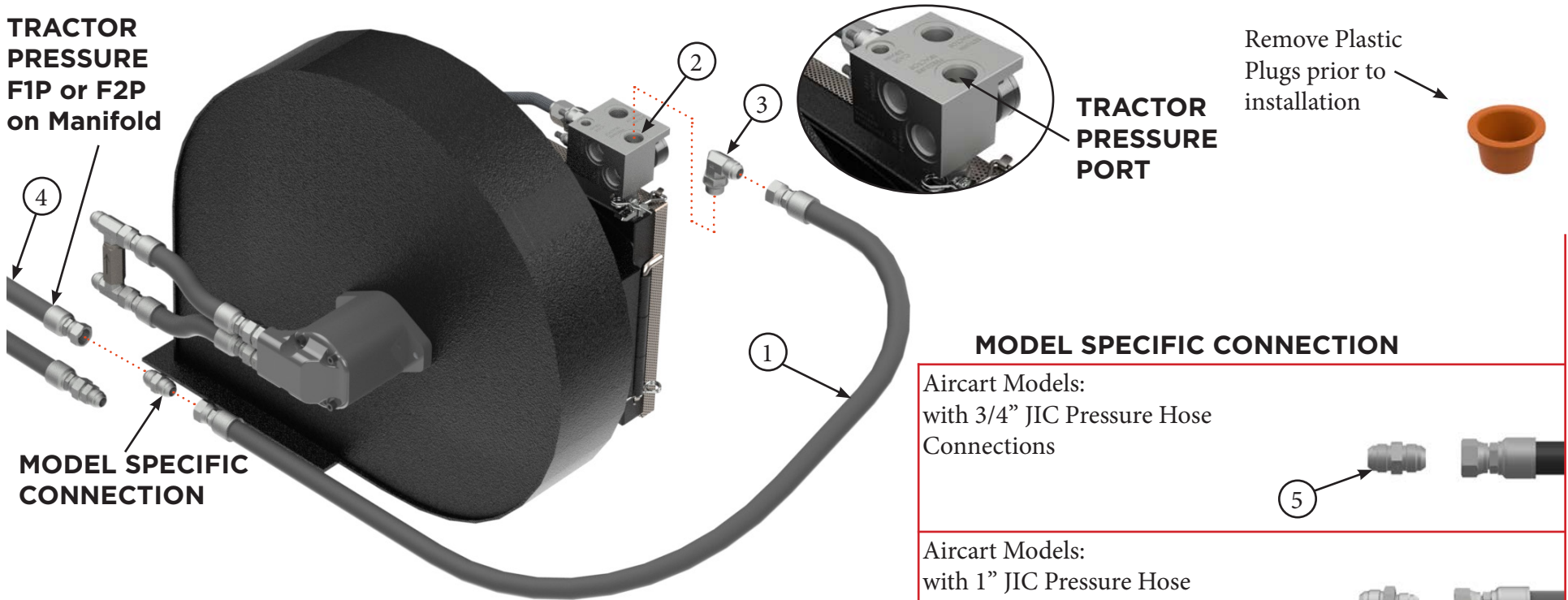


PARTS LIST		
Item	Part #	Description
1	--	Existing Hose from Tractor to Fan Motor
2	--	Hydraulic Motor

PARTS LIST		
Item	Part #	Description
3	--	External Check Valve

Title	Airguard Blockage Prevention System Upgrade Instructions	RELEASE DATE	2023-03-01
STEP	15. Hoses may be routed to suit your specific aircart installation. Install supplied 3/4" hydraulic hose (Item 1) to the "TRACTOR PRESSURE" port of the radiator block (Item 2), using adapter (Item 3) to make the connection. Use model specific connection as per instructions below to attach the other end of the hose to the factory pressure line (Item 4) that was removed from the fan motor.	REV #	1.0
		PART KIT #	Varies

TRACTOR PRESSURE F1P or F2P on Manifold



MODEL SPECIFIC CONNECTION

MODEL SPECIFIC CONNECTION

Aircart Models:
with 3/4" JIC Pressure Hose Connections

Aircart Models:
with 1" JIC Pressure Hose Connections

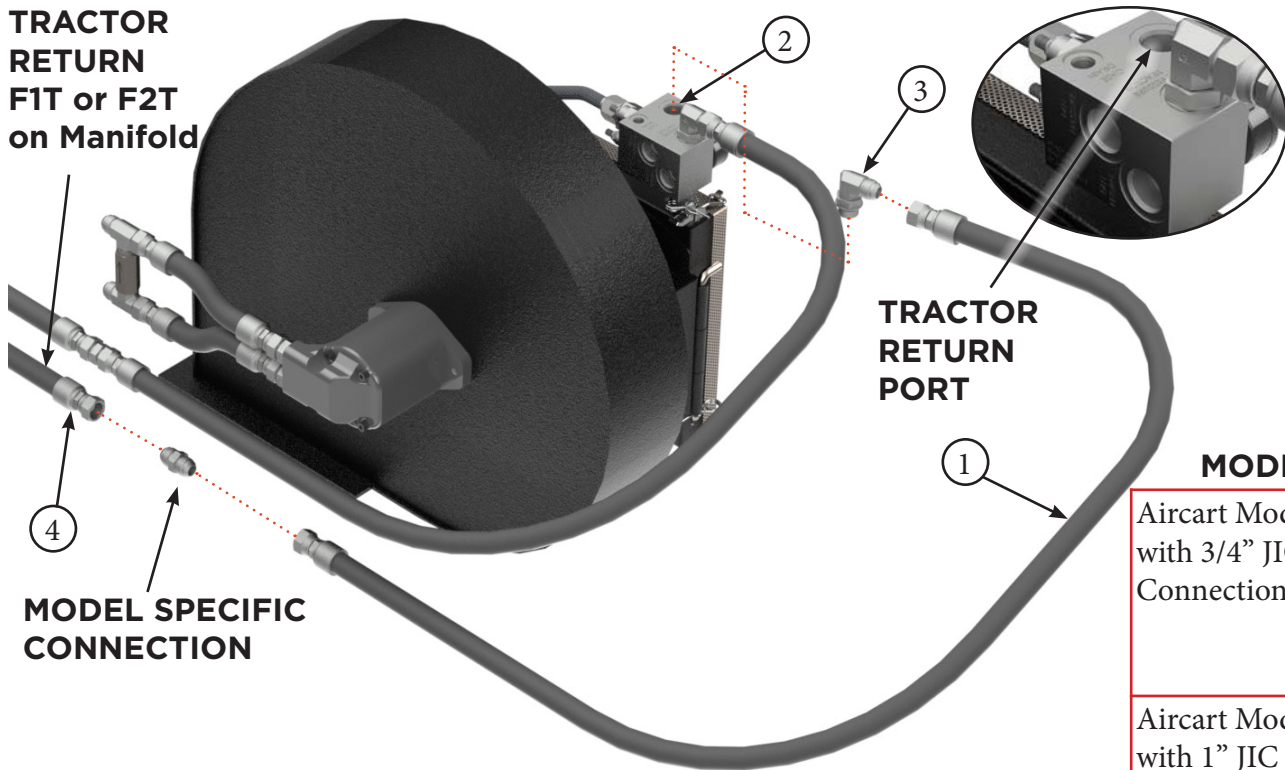
All of the hydraulic connections in Step 8 to 12 should only be hand tightened until all hoses and fittings are installed. Some connections may need to be rotated in order to install other components.

PARTS LIST		
Item	Part #	Description
1	9016	BPS 3/4" Hydraulic Hose - 60"
2	--	"TRACTOR PRESSURE" Port - BP System Manifold
3	7506	Fiting - Elbow - 3/4" JIC Male - 3/4" ORB Male

PARTS LIST		
Item	Part #	Description
4	--	Tractor Supply (Pressure) Hydraulic Hose
5	7538	Fitting - Straight - 3/4" JIC M - 3/4" JIC M
6	7237	Fitting - Straight - 1" JIC M - 3/4" JIC M

Title	Airguard Blockage Prevention System Upgrade Instructions	RELEASE DATE	2023-03-01
STEP	16. Install supplied 3/4" hydraulic hose (Item 1) to the "TRACTOR RETURN" port of the radiator block (Item 2) using adapter (Item 3). Use model specific connection as per instructions below to attach the other end of the hose to the factory pressure line (Item 4) that was removed from the fan motor.	REV #	1.0
		PART KIT #	Varies

TRACTOR RETURN FIT or F2T on Manifold



Remove Plastic Plugs prior to installation



MODEL SPECIFIC CONNECTION

MODEL SPECIFIC CONNECTION

Aircart Models:
with 3/4" JIC Return Hose Connections



Aircart Models:
with 1" JIC Return Hose Connections



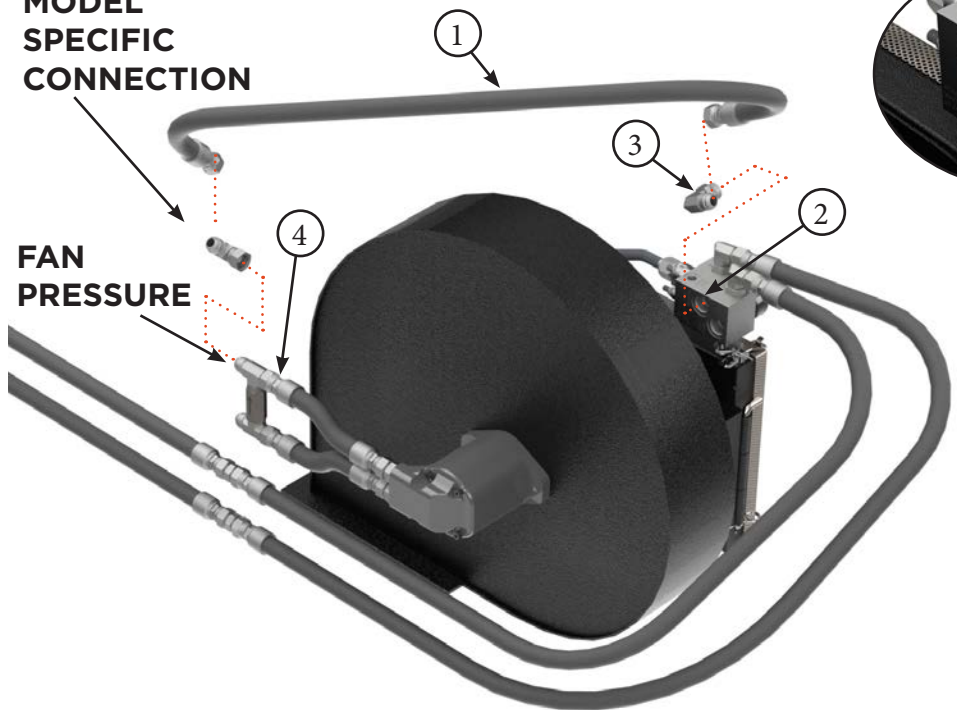
All of the hydraulic connections in Step 8 to 12 should only be hand tightened until all hoses and fittings are installed. Some connections may need to be rotated in order to install other components.

PARTS LIST		
Item	Part #	Description
1	9016	BPS 3/4" Hydraulic Hose - 60"
2	--	"TRACTOR RETURN" Port - BP System Manifold
3	7506	Fiting - Elbow - 3/4" JIC Male - 3/4" ORB Male

PARTS LIST		
Item	Part #	Description
4	--	Tractor Return Hydraulic Hose
5	7538	Fitting - Straight - 3/4" JIC M - 3/4" JIC M
6	7237	Fitting - Straight - 1" JIC M - 3/4" JIC M

Title	Airguard Blockage Prevention System Upgrade Instructions	RELEASE DATE	2023-03-01
STEP	17. Install supplied 3/4" hydraulic hose (Item 1) to the "FAN PRESSURE" port of the radiator block (Item 2) using adapter (Item 3). Use model specific connection as per instructions below to attach the other end of the hose to the factory fan pressure line/ port (Item 4) coming from the fan motor.	REV #	1.0
		PART KIT #	Varies

MODEL SPECIFIC CONNECTION



All of the hydraulic connections in Step 8 to 12 should only be hand tightened until all hoses and fittings are installed. Some connections may need to be rotated in order to install other components.

Remove Plastic Plugs prior to installation



MODEL SPECIFIC CONNECTION

Aircart Models:
with 3/4" JIC Pressure Hose Connections

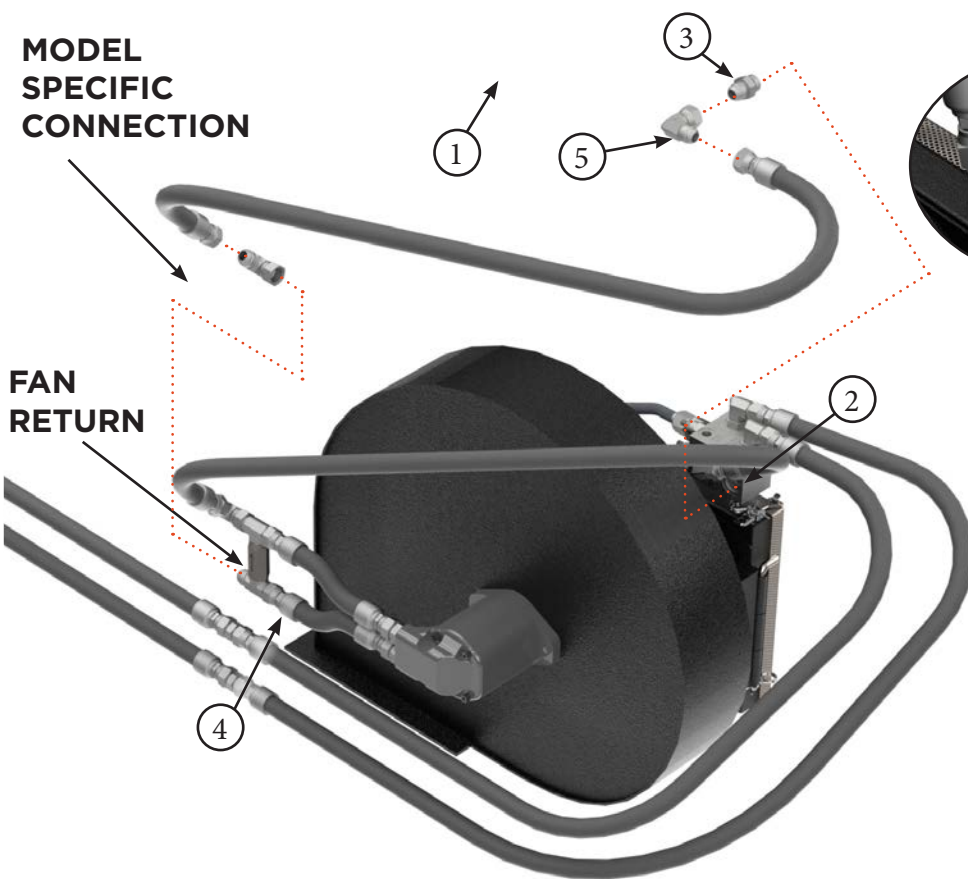
Connect hose directly to port adapters not needed

Aircart Models:
with 1" JIC Pressure Hose Connections

PARTS LIST		
Item	Part #	Description
1	9016	BPS 3/4" Hydraulic Hose - 60"
2	--	"FAN PRESSURE" Port - BP System Manifold
3	7506	Fiting - Elbow - 3/4" JIC Male - 3/4" ORB Male

PARTS LIST		
Item	Part #	Description
4	--	Fan Supply (Pressure) Hydraulic Hose
5	7238	Fitting - Straight - 1" JIC F - 3/4" JIC M

Title	Airguard Blockage Prevention System Upgrade Instructions	RELEASE DATE	2023-03-01
STEP	18. Install supplied 3/4" hydraulic hose (Item 1) to the "FAN RETURN" port of the radiator block (Item 2) using adapters (Item 3 & 5). Use model specific connection as per instructions below to attach the other end of the hose to the factory fan return line/port (Item 4) coming from the fan motor.	REV #	1.0
		PART KIT #	Varies



All of the hydraulic connections in Step 8 to 12 should only be hand tightened until all hoses and fittings are installed. Some connections may need to be rotated in order to install other components.

Remove Plastic Plugs prior to installation



FAN RETURN PORT

MODEL SPECIFIC CONNECTION

Aircart Models:
with 3/4" JIC Return Hose Connections

Connect hose directly to port
adapters not needed



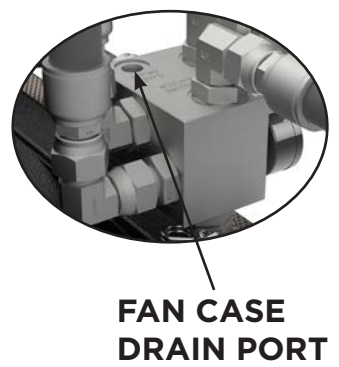
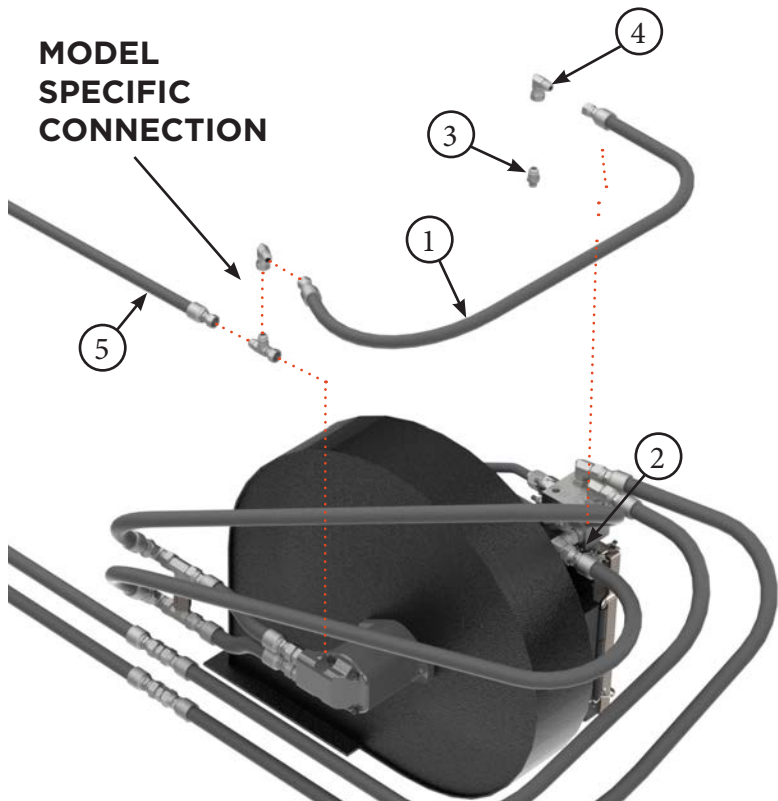
Aircart Models:
with 1" JIC Return Hose Connections



PARTS LIST		
Item	Part #	Description
1	9016	BPS 3/4" Hydraulic Hose - 60"
2	--	"FAN RETURN" Port - BP System Manifold
3	7543	Fitting - Straight - 3/4" JIC Male - 3/4" ORB Male

PARTS LIST		
Item	Part #	Description
4	--	Fan Return Hydraulic Hose
5	7238	Fitting - Straight - 1" JIC F - 3/4" JIC M

Title	Airguard Blockage Prevention System Upgrade Instructions	RELEASE DATE	2023-03-01
STEP	19. Install supplied 1/2" hydraulic hose (Item 1) to the "CASE DRAIN" port of the radiator block (Item 2) using adapters (Item 3 & 4). and to the fan motor case drain line (Item 5). Use model specific connection as per instructions below to attach the other end of the hose to the factory fan case drain line/port (Item 5) coming from the fan motor.	REV #	1.0
		PART KIT #	Varies



All of the hydraulic connections in Step 8 to 12 should only be hand tightened until all hoses and fittings are installed. Some connections may need to be rotated in order to install other components.

Remove Plastic Plugs prior to installation

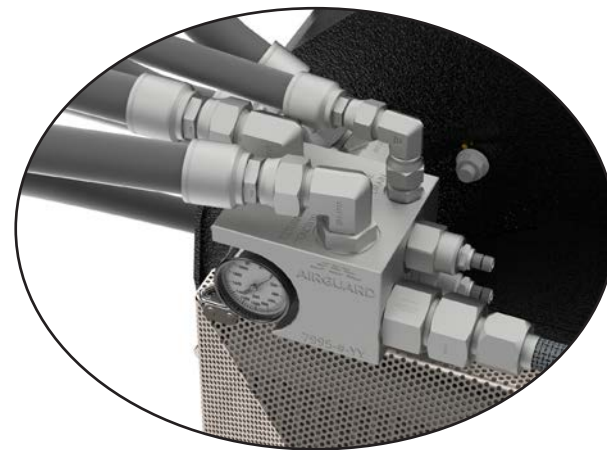
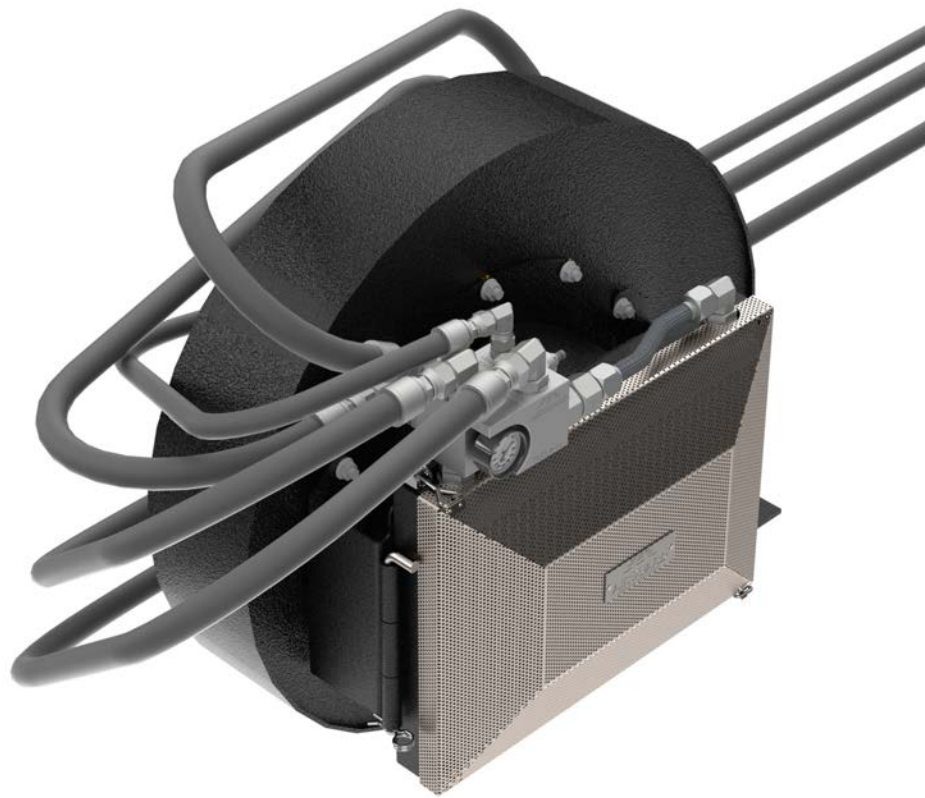
MODEL SPECIFIC CONNECTION

Aircart Models:
with 1/2" JIC Case Drain
Hose Connections

PARTS LIST		
Item	Part #	Description
1	9016	BPS 3/4" Hydraulic Hose - 60"
2	--	"FAN CASE DRAIN" Port - BP System Manifold
3	7264	Fitting - Straight - 1/2" JIC Male - 3/8" ORB Male

PARTS LIST		
Item	Part #	Description
4	7686	Fiting - Elbow - 1/2" JIC M - 1/2" JIC F
5	--	Fan Case Drain Hydraulic Hose
6	7263	Fitting - Tee - 1/2" JIC M - M - F

Title	Airguard Blockage Prevention System Upgrade Instructions	RELEASE DATE	2023-03-01
STEP	20. Complete the hydraulic installation by ensuring that all connections made in Step 8 to 12 are tightened. Position/Routing of hydraulic hoses may vary to suit each specific machine installation. Zip tie hoses to reduce wear and ensure tidy installation.	REV #	1.0
		PART KIT #	Varies



COMPLETED INSTALLATION WITH NO SNORKEL

Title	Airguard Blockage Prevention System Upgrade Instructions	RELEASE DATE	2023-03-01
STEP	21. For snorkel mount on specific aircarts as per below. Install the bracket (Item 1) onto the Aircart Stair Tread (Item 2) using existing stair tread hardware (Item 3).	REV #	1.0
		PART KIT #	Varies

MODEL SPECIFIC CONNECTION - KIT 9000:

7550, 7700, 7950, 71300

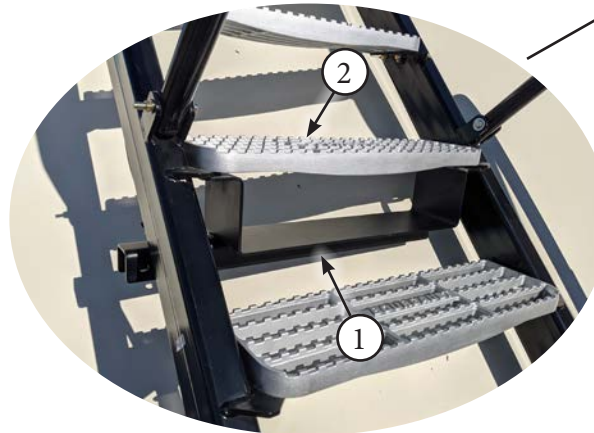
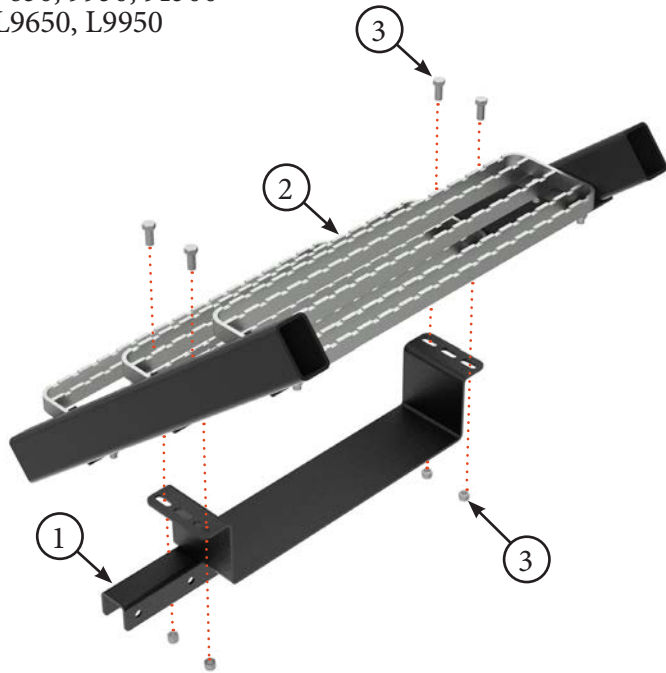
L7550, L7701, L7800

8350, 8450, 8550

L8350, L8450, L8550

9650, 9950, 91300

L9650, L9950

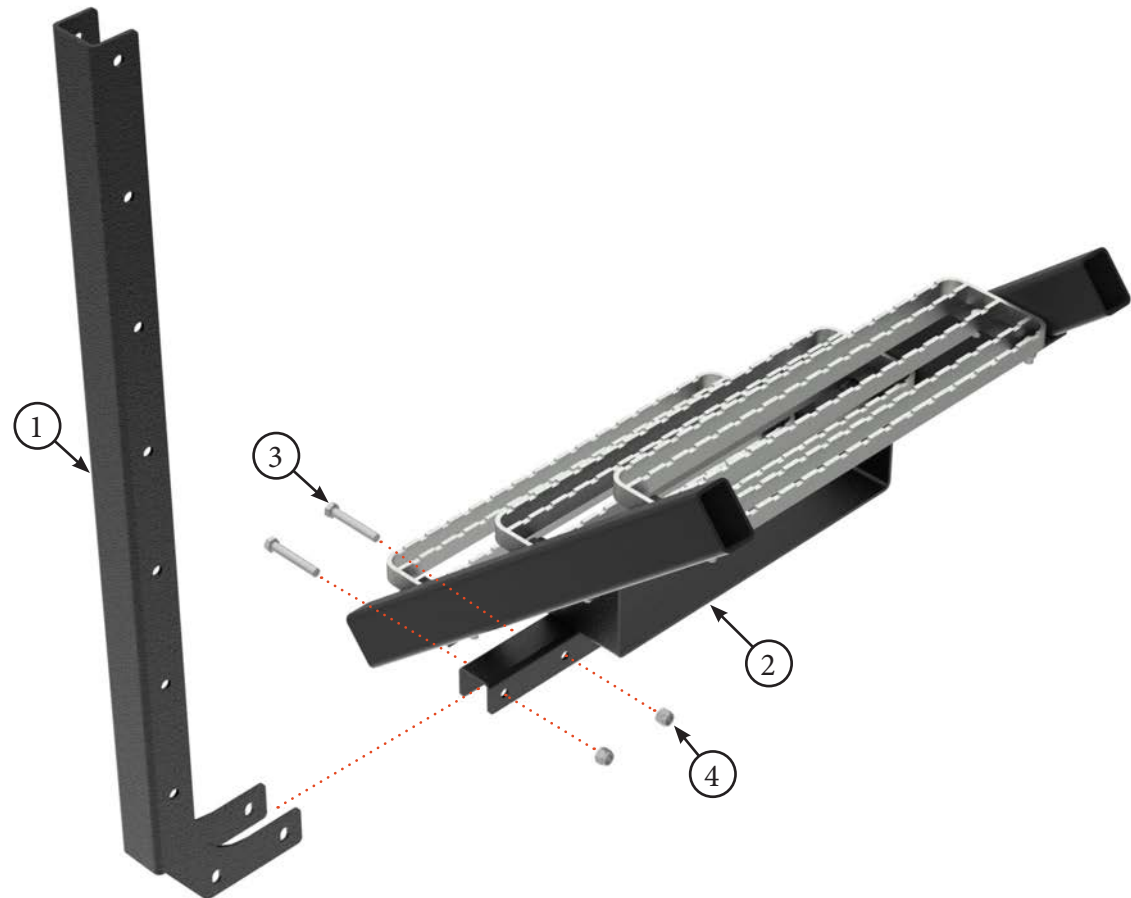


PARTS LIST		
Item	Part #	Description
1	9001	Bourgault Snorkel Mount Bracket
2	--	Stair Tread

PARTS LIST		
Item	Part #	Description
3	--	Existing stair tread hardware

Title	Airguard Blockage Prevention System Upgrade Instructions	RELEASE DATE	2023-03-01
STEP	22. Mount Outer Vertical Channel (Item 1) to Bracket (Item 2) using supplied 12mm x 80mm Bolts (Item 3) and 12mm lock nuts (Item 4).	REV #	1.0
		PART KIT #	Varies

MODEL SPECIFIC CONNECTION - KIT 9000:
7550, 7700, 7950, 71300
L7550, L7701, L7800
8350, 8450, 8550
L8350, L8450, L8550
9650, 9950, 91300
L9650, L9950



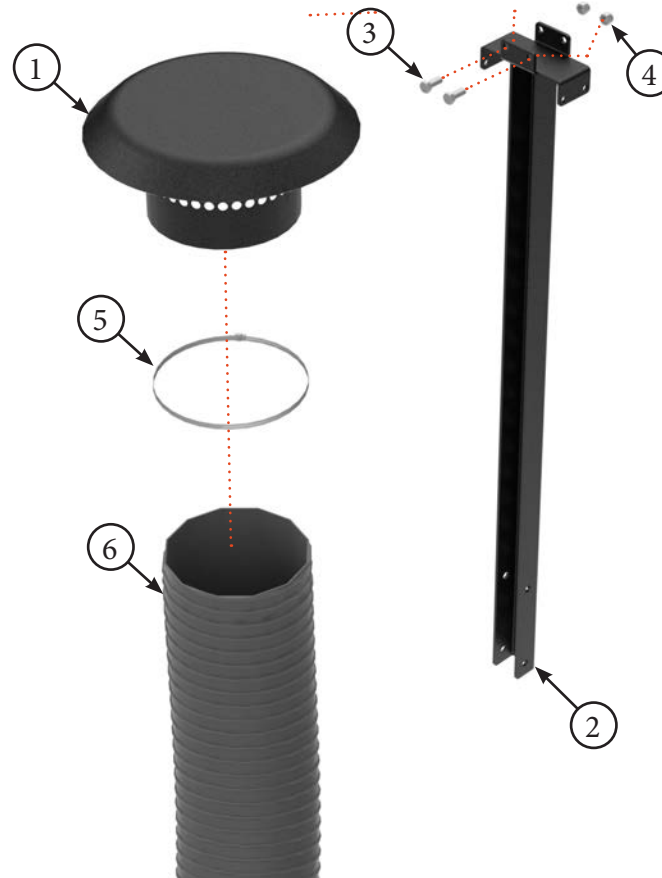
PARTS LIST		
Item	Part #	Description
1	7865	Outer Vertical Channel
2	9001	Bourgault Snorkel Mount Bracket

PARTS LIST		
Item	Part #	Description
3	7859	Hex Bolt, 12mm x 80mm
4	7669	Lock Nut, 12mm

Title	Airguard Blockage Prevention System Upgrade Instructions	RELEASE DATE	2023-03-01
STEP	23. Attach air intakes (Item 1) to upper vertical channel (Item 2) using supplied 10mm x 25mm Bolts (Item 3) and 10mm lock nuts (Item 4). A maximum of 4 intakes can be mounted. Use bridge clamp (Item 5) to attach 8" flex hose (Item 6) to air intake (Item 1).	REV #	1.0
		PART KIT #	Varies

MODEL SPECIFIC CONNECTION - KIT 9000:

7550, 7700, 7950, 71300
L7550, L7701, L7800
8350, 8450, 8550
L8350, L8450, L8550
9650, 9950, 91300
L9650, L9950



PARTS LIST		
Item	Part #	Description
1	7576	Air Intake Bracket
2	7868	Upper Vertical Channel
3	7515	Hex Bolt, 10mm x 25mm

PARTS LIST		
Item	Part #	Description
4	7516	Lock Nut, 10mm
5	7578	Bridge Clamp, 8"
6	7572	Flexible Snorkel Hose - 8"

Title	Airguard Blockage Prevention System Upgrade Instructions	RELEASE DATE	2023-03-01
STEP	24. Determine desired height of air intakes and secure upper vertical channel (Item 1) to lower vertical channel (Item 2) at that location. Use supplied 12mm x 80mm Bolts (Item 3) and 12mm lock nuts (Item 4).	REV #	1.0
		PART KIT #	Varies

MODEL SPECIFIC CONNECTION - KIT 9000:

7550, 7700, 7950, 71300

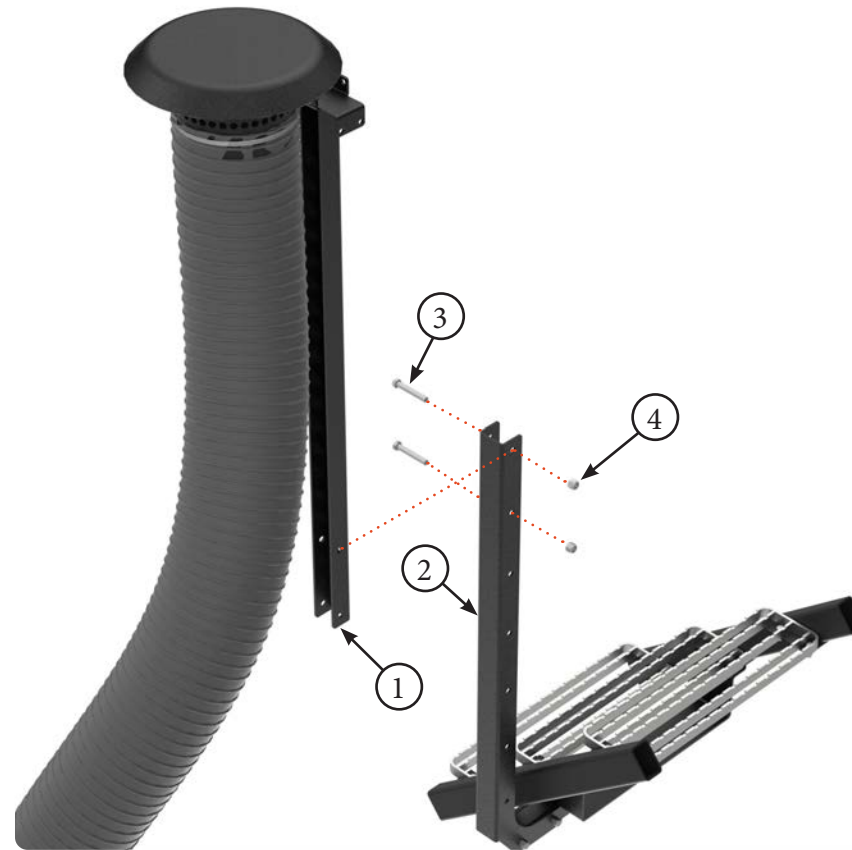
L7550, L7701, L7800

8350, 8450, 8550

L8350, L8450, L8550

9650, 9950, 91300

L9650, L9950

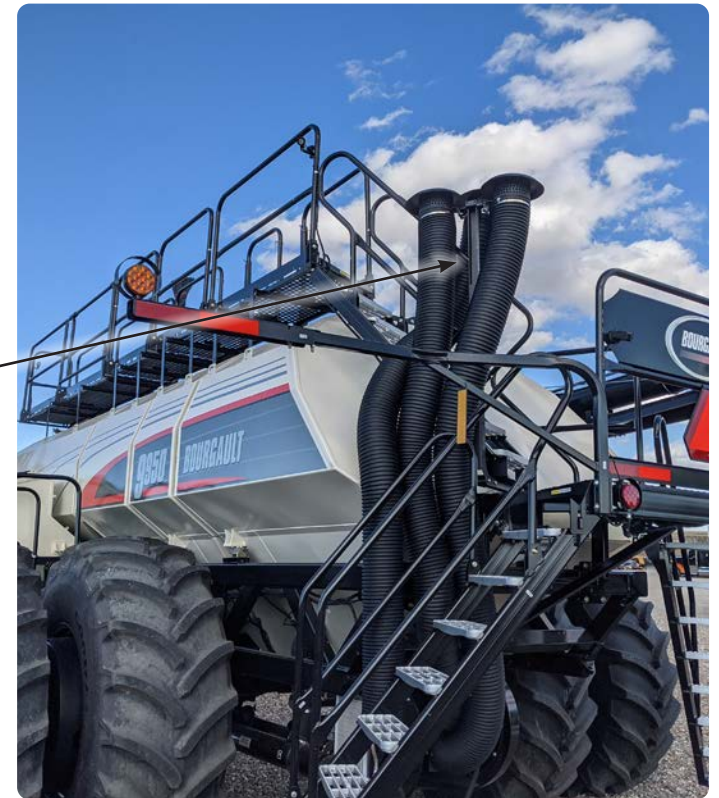
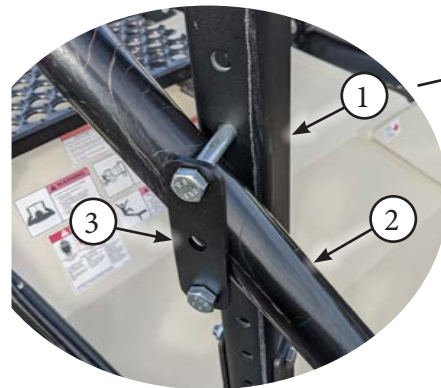
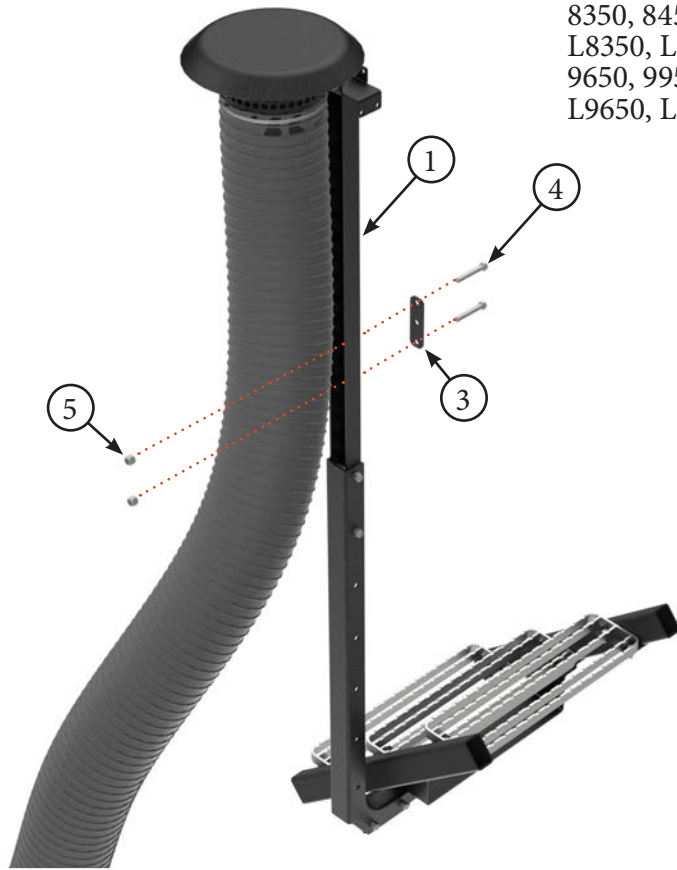


PARTS LIST		
Item	Part #	Description
1	7868	Upper Vertical Channel
2	7865	Outer Vertical Channel

PARTS LIST		
Item	Part #	Description
3	7859	Hex Bolt, 12mm x 80mm
4	7669	Lock Nut, 12mm

Title	Airguard Blockage Prevention System Upgrade Instructions	RELEASE DATE	2023-03-01
STEP	25. Attach stabilizer bracket (Item 1) to catwalk railing (Item 2) using railing mount plate (Item 3) and supplied 12mm x 80mm Bolts (Item 4) and 12mm lock nuts (Item 5).	REV #	1.0
		PART KIT #	Varies

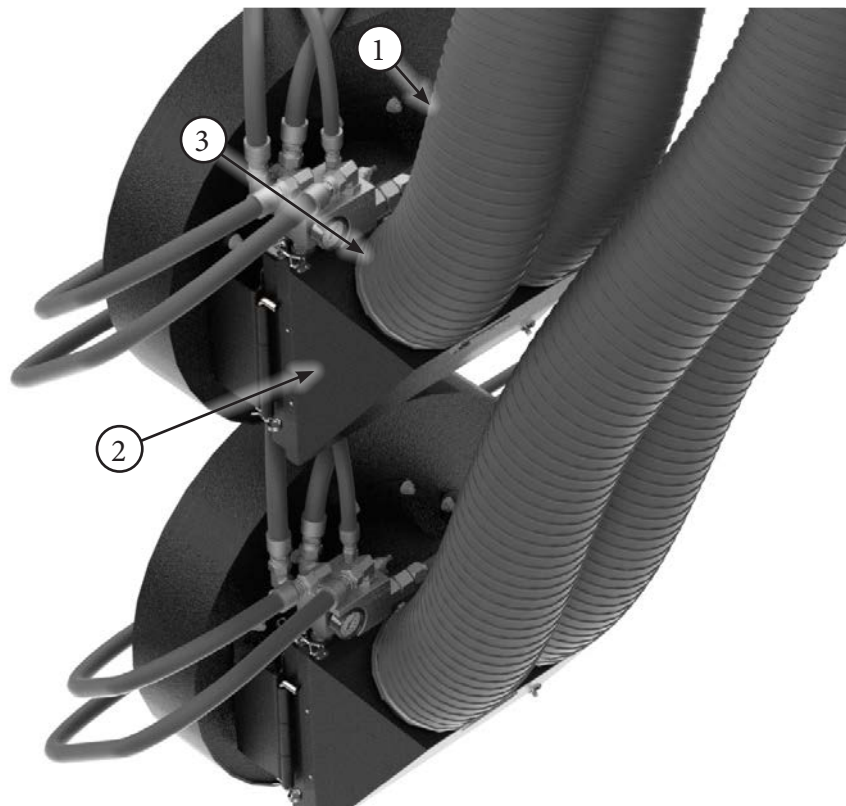
MODEL SPECIFIC CONNECTION - KIT 9000:
7550, 7700, 7950, 71300
L7550, L7701, L7800
8350, 8450, 8550
L8350, L8450, L8550
9650, 9950, 91300
L9650, L9950



PARTS LIST		
Item	Part #	Description
1	7868	Upper Vertical Channel
2	--	Catwalk Railing
3	7959	Railing Mount Plate

PARTS LIST		
Item	Part #	Description
4	7859	Hex Bolt, 12mm x 80mm
5	7669	Lock Nut, 12mm

Title	Airguard Blockage Prevention System Upgrade Instructions	RELEASE DATE	2023-03-01
STEP	26. Attach 8” flex hose (Item 1) to snorkel housing (Item 2) using bridge clamp (Item 3). Zip tie 8” flex hoses to reduce wear and ensure tidy installation.	REV #	1.0
		PART KIT #	Varies

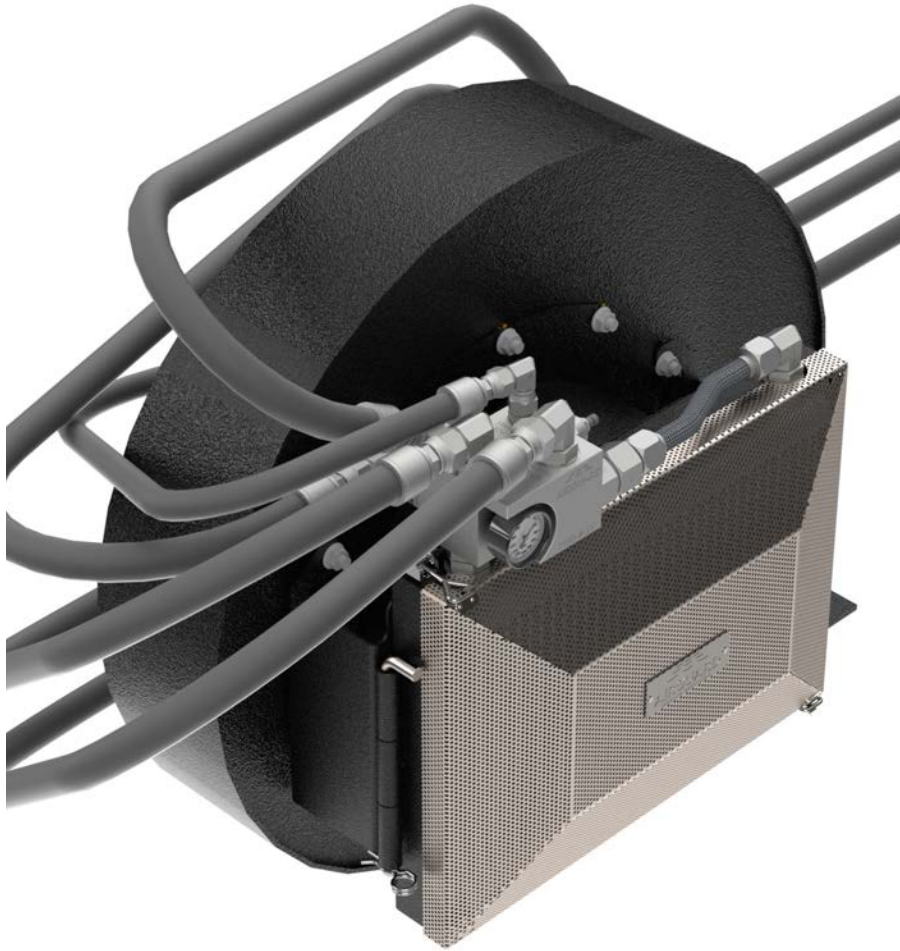


PARTS LIST		
Item	Part #	Description
1	7977	Snorkel Housing
2	7578	Bridge Clamp, 8”

PARTS LIST		
Item	Part #	Description
3	7572	Flexible Snorkel Hose - 8”

Title	Airguard Blockage Prevention System Upgrade Instructions	RELEASE DATE	2023-03-01
STEP	Installation is Completed. Ensure all hydraulic connections and bolts are tightened.	REV #	1.0
		PART KIT #	Varies

COMPLETED INSTALLATION WITH NO SNORKEL



COMPLETED INSTALLATION WITH SNORKELS

