

Snorkel Kit Installation Manual



REQUIRED TOOLS

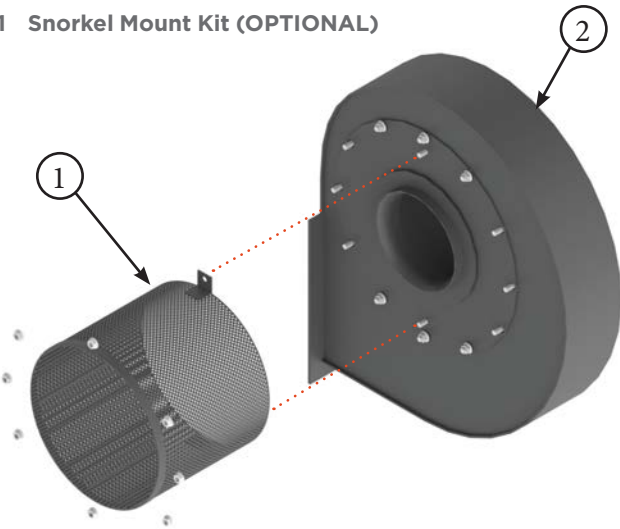
Be sure to have the following tools and parts available before you begin your initial installation.

- Socket Set
- Open End Wrenches
- Large Adjustable Wrench
- Impact Driver

INSTALL IN 5 STEPS

SUPPLIED PARTS: Single - 7575

- 1 Snorkel Housing (1 per Fan)
- 1 Flex Hoses 8" x 12ft
- 1 Air Intake Assemblies
- 1 Intake Mount Plates
- 4 10mm x 25mm Hex Bolts
- 4 10mm Lock Nuts
- 1 Snorkel Mount Kit (OPTIONAL)

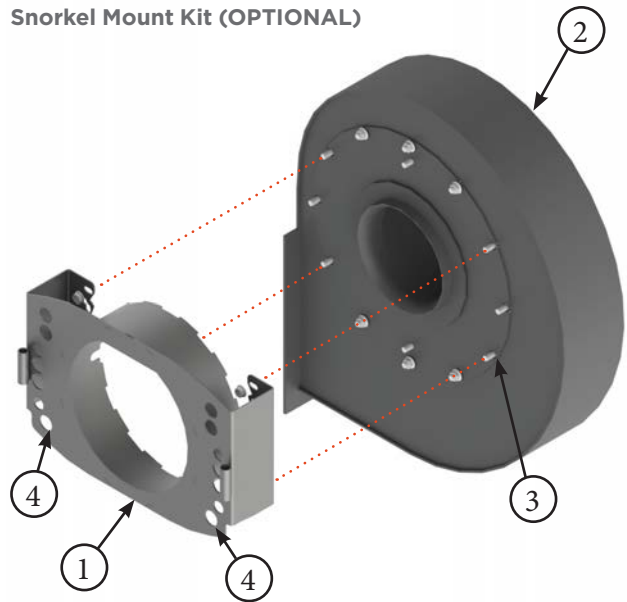


STEP 1

Remove existing fan screen (Item 1) from the fan housing (Item 2). For Terragator Fertilizer Floaters see page 9.

SUPPLIED PARTS: Double - 7676 or 7870

- 1 Snorkel Housing (1 per Fan)
- 2 Flex Hoses 8" x 12ft
- 2 Air Intake Assemblies
- 2 Intake Mount Plates
- 8 10mm x 25mm Hex Bolts
- 8 10mm Lock Nuts
- 1 Snorkel Mount Kit (OPTIONAL)

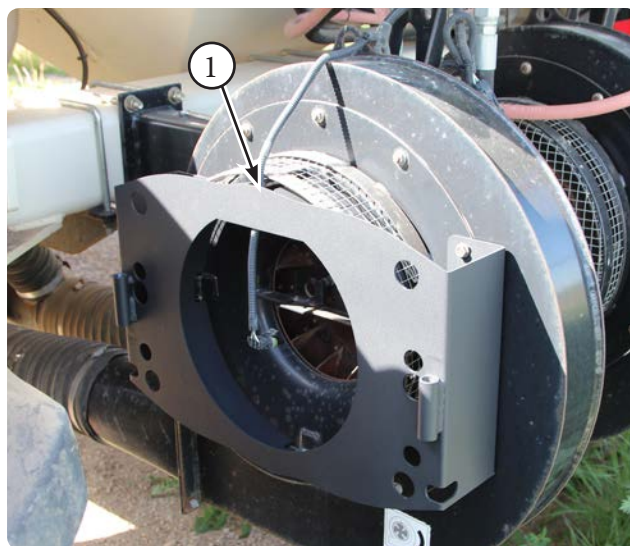


STEP 2a

Install supplied mounting bracket (Item 1) to fan housing (Item 2) using existing bolts and nuts (Item 3). Angle mounting bracket in a position that ensures the supplied 4ft hydraulic hoses reach the fan motor. Additional holes in bracket face (Item 4) are for easy access with an impact driver. See pages 2 & 3 for reference of various brackets mounted to fan housings. Sometimes the fan may need to be moved. See pages 4-6 for more details.



7700 - CNH (7701 Kit)

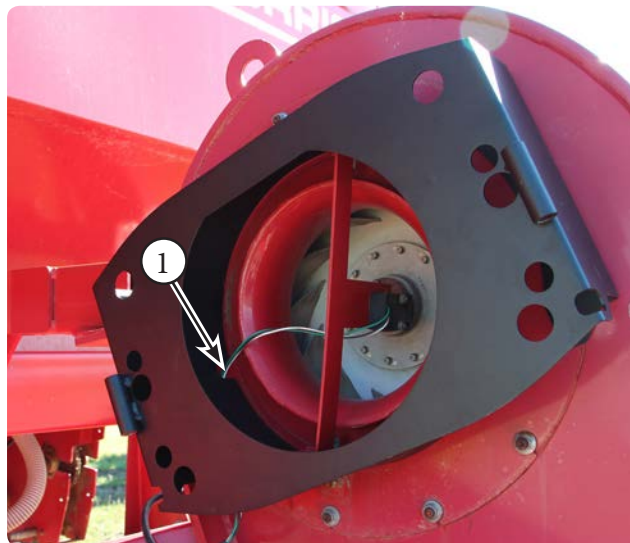


7710 - Bourgault (7711 Kit)

Fan sensor wire must be removed and reinstalled (Item 1)

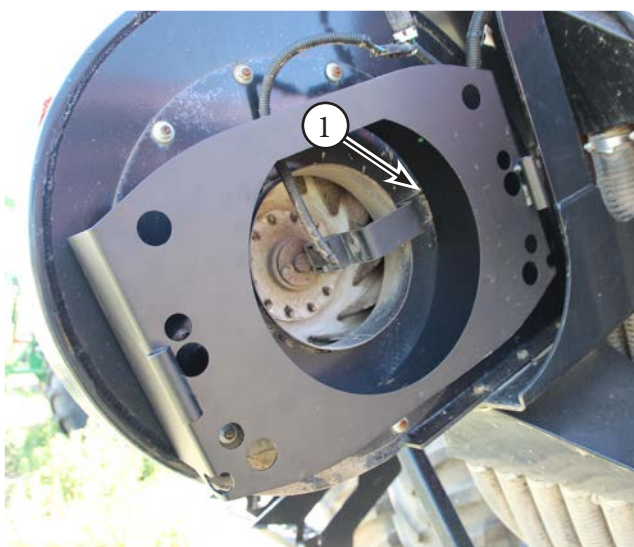


7720 - John Deere 1900, 1910 (7721 Kit)



7720 - Morris (7721 Kit)

Fan sensor wire must be rerouted through notch (Item 1)



7720 - Vaderstad/Seed Hawk(7721 Kit)

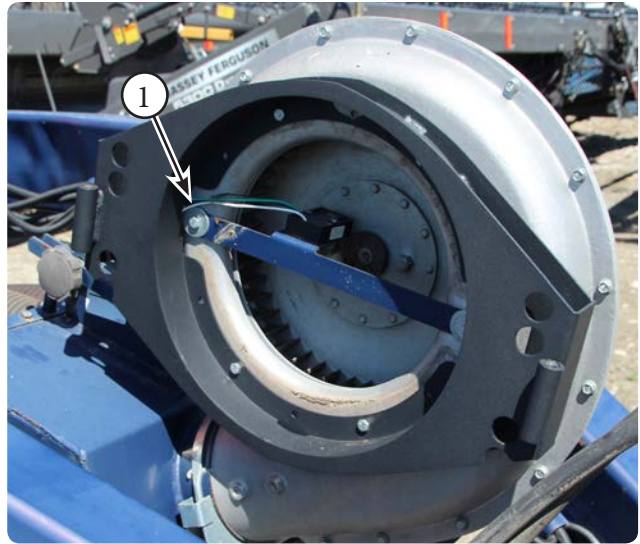
Fan sensor bar must line up with notches (Item 1)



7720 - Seed Master (7721 Kit)

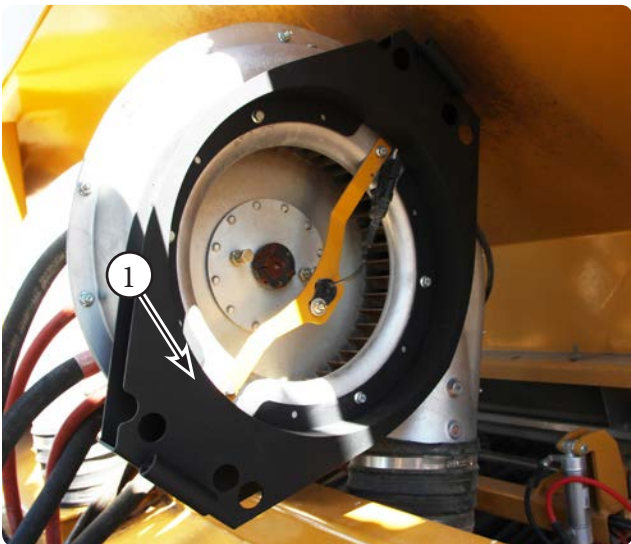


7730 - John Deere 1910 Cast Fan (7731 Kit)



7740 - Cray 6" Fan (7741 Kit)

Fan sensor bar must line up with notches (Item 1)

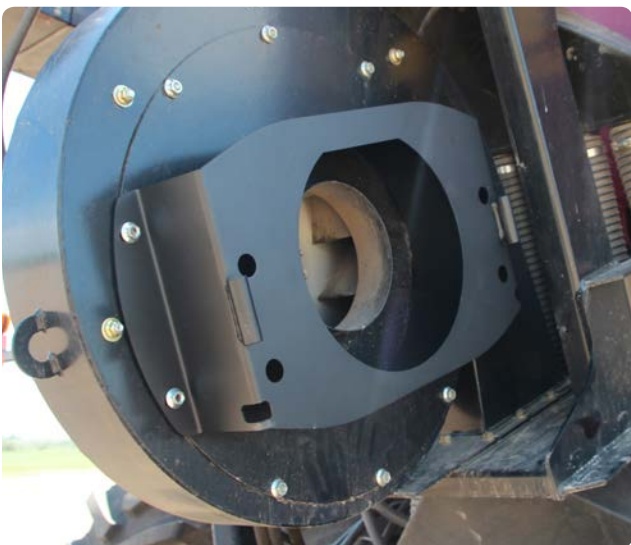


7740 - Seed Master -Cray 6" (7741 Kit)

Fan sensor bar must line up with notches (Item 1)



7750 - Seed Master -Cray 8" (7751 Kit)



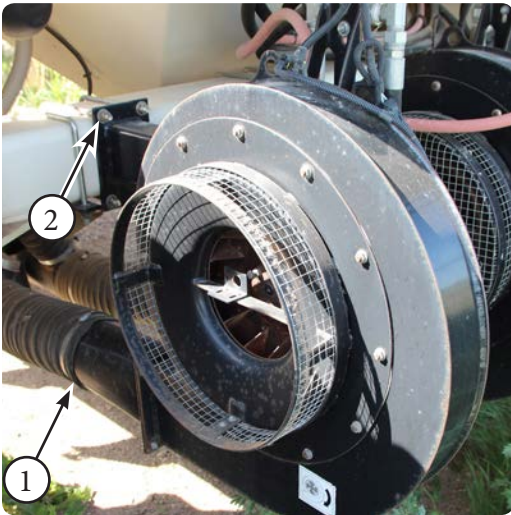
7760 - Vaderstad/Seed Hawk (7761 Kit)

Tsunami Fan



7770 - John Deere Airpower 2 (7771 Kit)

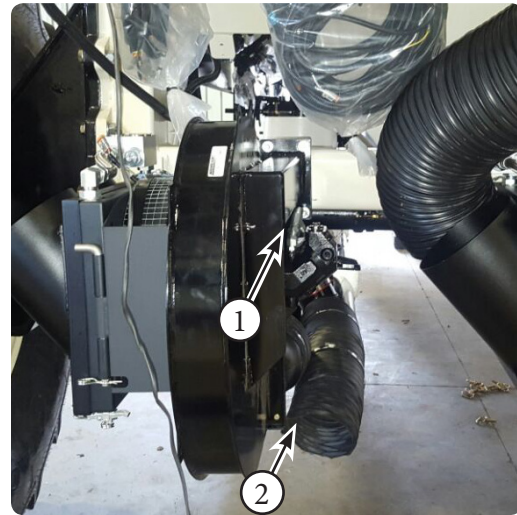
7710 - Bourgault U-Bolted to Rear Axle



STEP 2b

Disconnect flexible hose (Item 1) from fan outlet on fan #1 &/or #2. Loosen U-Bolts (Item 2) that hold the fan mount bracket to the axle. In some cases the U-bolts need to be completely removed to allow fan to be shifted over for sufficient room to install the Airguard parts.

WARNING: Support fan housing from below with a jack or wood to avoid injury and so no extra stress is put on the hydraulic hose connections



STEP 2c

Re-attach fan housing mount bracket to axle using U-Bolts just loosened or removed. Allow for 10-12" of space between the fan motor and the intake screen of the neighboring fan. Loosen and adjust hydraulic hoses from under the cart to allow the fan motor hose connections to be shifted to their new location. Proceed to install supplied longer hose ducting kit to fan outlet (see page 6).

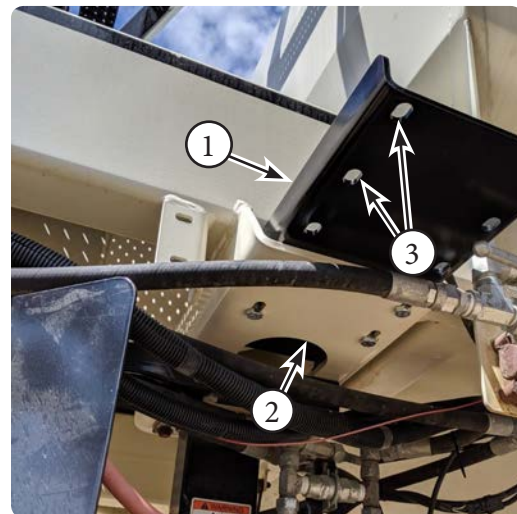
7930 - Bourgault L6000 Series



STEP 2b

Remove hardware that attaches fan housing mount bracket to the air cart frame (Item 1).

WARNING: Support fan housing from below with a jack or wood to avoid injury and so no extra stress is put on the hydraulic hose connections



STEP 2c

Install frame extension bracket (Item 1) to air cart frame (Item 2) using hardware that was just removed. Re-attach fan housing mount bracket to frame extension in new slots (Item 3). This allows for 10-12" of space between the fan motor and the intake screen of the neighboring fan. Loosen and adjust hydraulic hoses from under the cart to allow the fan motor hose connections to be shifted to their new location. Proceed to install supplied longer hose ducting kit to fan outlet (see page 6).

7840 - Bourgault L7000 Series

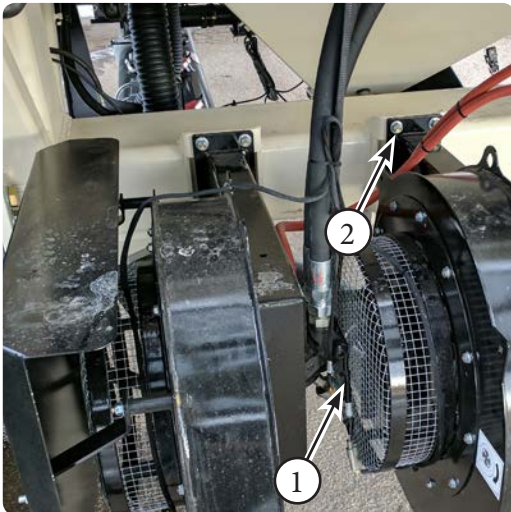


STEP 2b

Disconnect flexible hose (Item 1) from fan outlet on fan #1 &/or #2. Loosen U-Bolts (Item 2) that hold the fan mount bracket to the axle. In some cases the U-bolts need to be completely removed to allow fan to be shifted over for sufficient room to install the Airguard parts.

WARNING: Support fan housing from below with a jack or wood to avoid injury and so no extra stress is put on the hydraulic hose connections

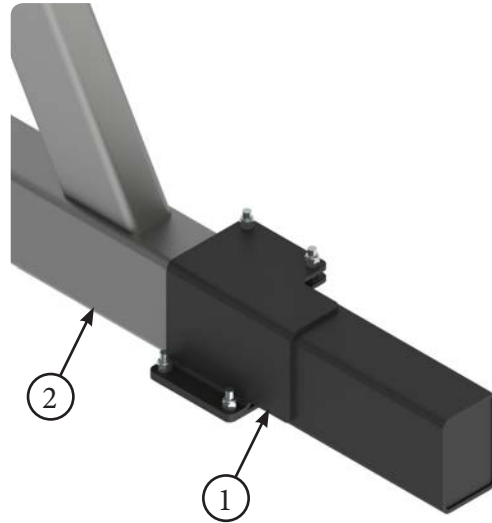
7820 - Bourgault 71300



STEP 2b

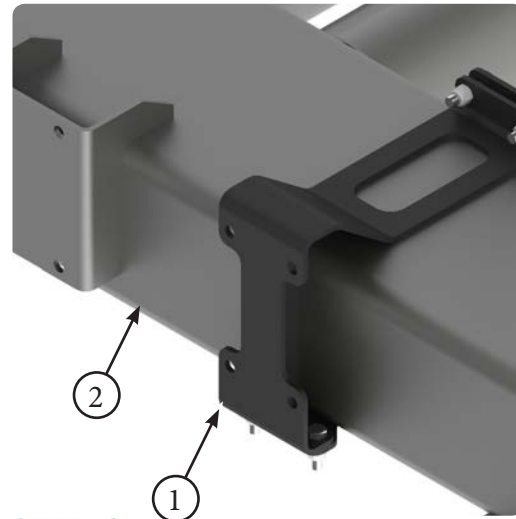
Disconnect flexible hose (Item 1) from fan outlet on fan #1 &/or #2. Remove hardware (Item 2) that hold the fan mount bracket to the axle.

WARNING: Support fan housing from below with a jack or wood to avoid injury and so no extra stress is put on the hydraulic hose connections



STEP 2c

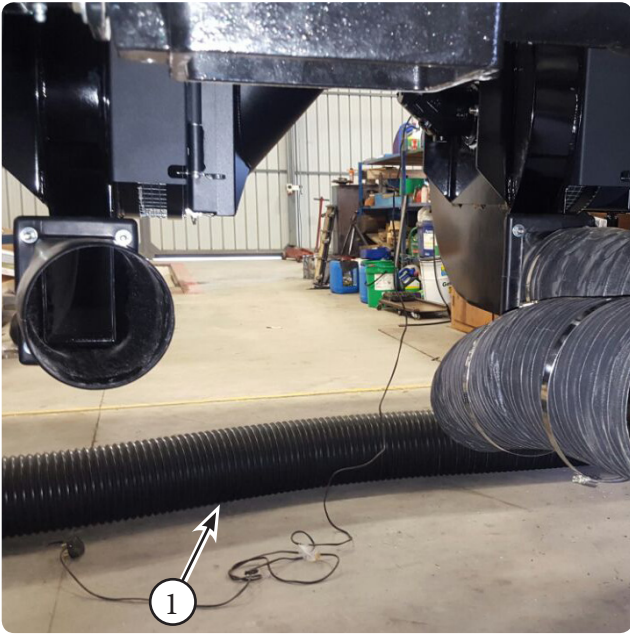
Install frame extension bracket (Item 1) to air cart frame (Item 2) using hardware provided. Proceed to re-attach fan housing mount bracket to frame extension using U-Bolts just loosened or removed. This allows for 10-12" of space between the fan motor and the intake screen of the neighboring fan. Loosen and adjust hydraulic hoses from under the cart to allow the fan motor hose connections to be shifted to their new location. Proceed to install supplied longer hose ducting kit to fan outlet (see page 6).



STEP 2c

Install frame extension bracket (Item 1) to air cart frame (Item 2) using hardware provided. Proceed to re-attach fan housing mount bracket to frame extension using hardware provided. Allow 10-12" of space between the fan motor and the intake screen of the neighboring fan. Loosen and adjust hydraulic hoses from under the cart to allow the fan motor hose connections to be shifted to their new location. Proceed to install supplied longer hose ducting kit to fan outlet (see page 6).

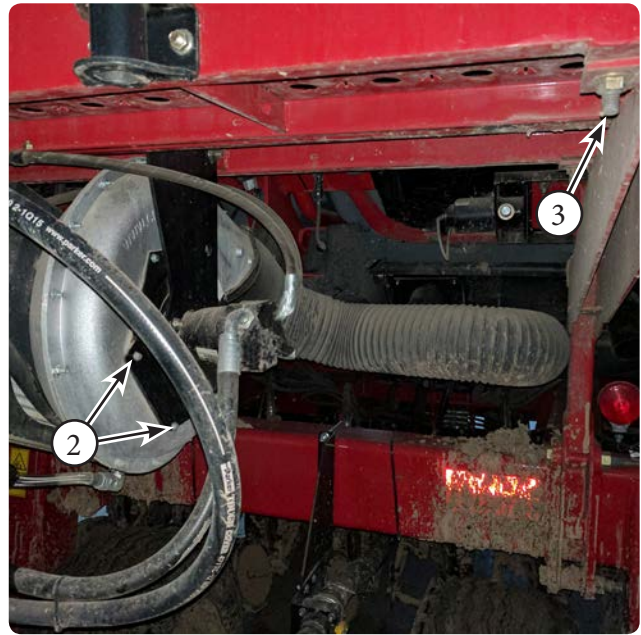
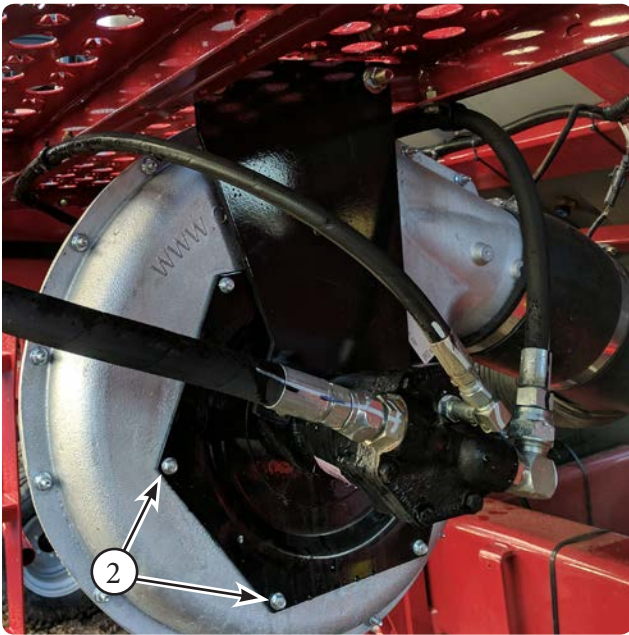
Bourgault fan outlet extension



STEP 2d

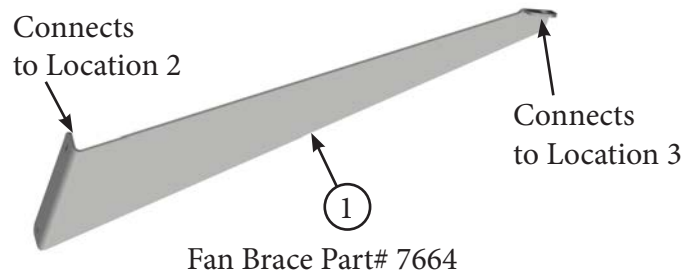
Attach longer ducting hose (Item 1) to fan and pipe using existing hose clamps. Pull ducting tight and cut to length for a snug fit.

7810 - CNH 500T, New Holland P2080 & P2085



STEP 2b

A brace is required (Item 1) to support the fan for the Case Ih 500T and New Holland P2080 & P2085. Attach supplied bracket using existing hardware at locations (2) and (3).



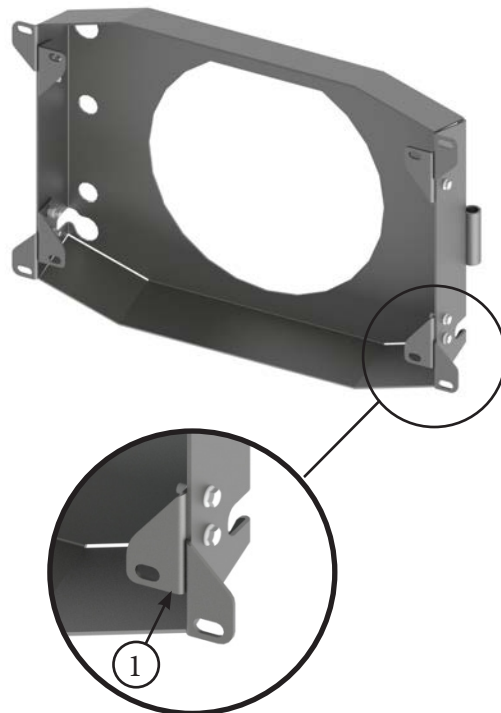
Fan Brace Part# 7664

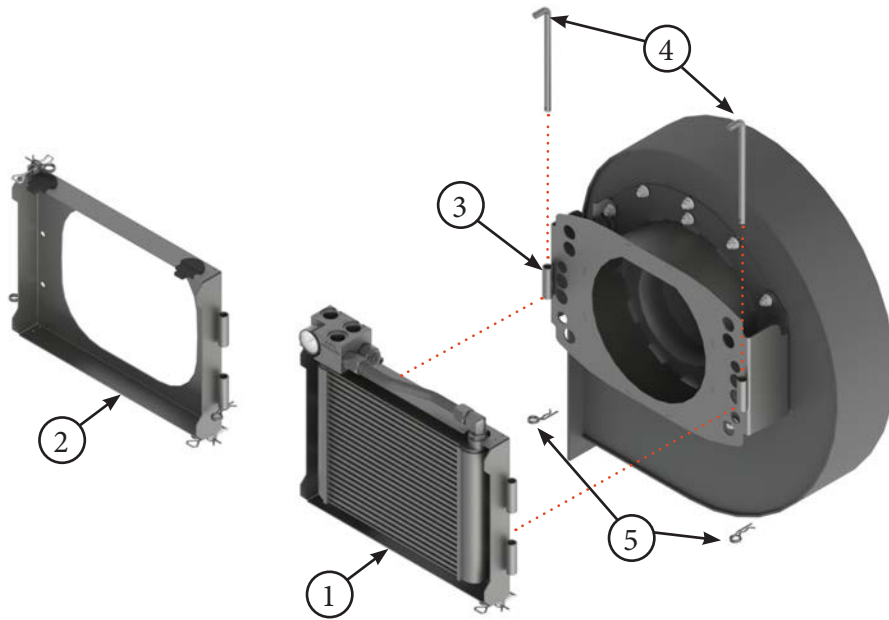
7780 - MONTAG 1808 & 2210



STEP 2b

Supplied 90deg brackets (Item 1) are required when mounting to the Montag 1808 fan. Bolt the 90deg brackets inside the mounting bracket as shown using hardware provided. These brackets are not required when installing on a Montag 2210 fan.

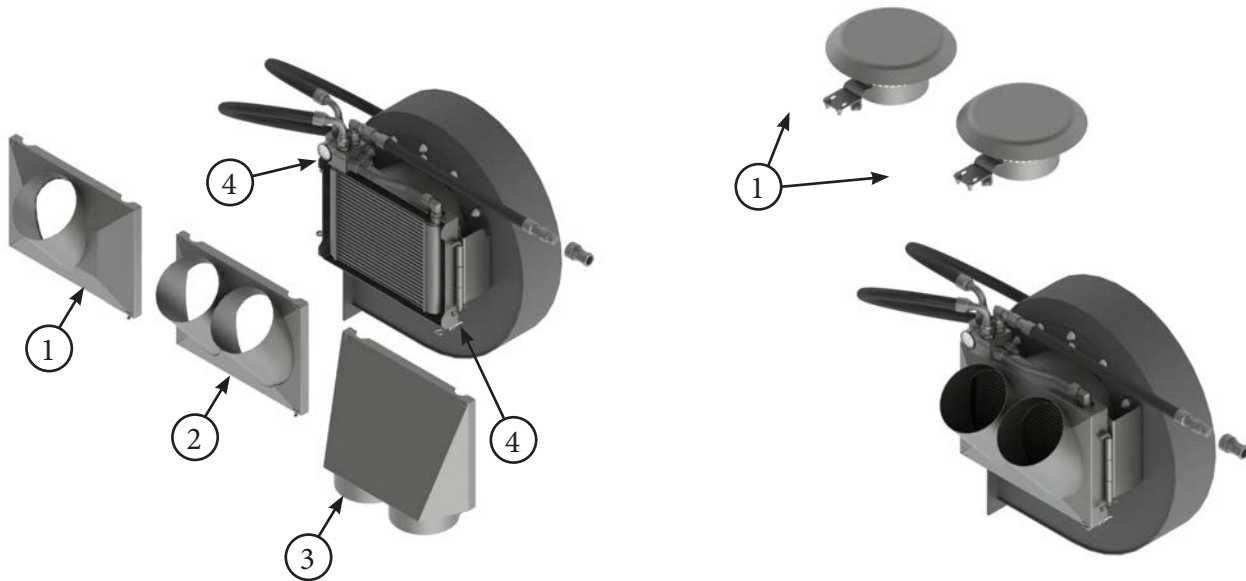




STEP 3

Mount BPS assembly (Item 1) or supplied BPS Bracket (Item 2) to mounting bracket (Item 3) using supplied pivot pins (Item 4). Secure in place with cotter pins (Item 5).

REFER TO BLOCKAGE PREVENTION SYSTEM INSTRUCTIONS FOR HYDRAULIC CONNECTIONS



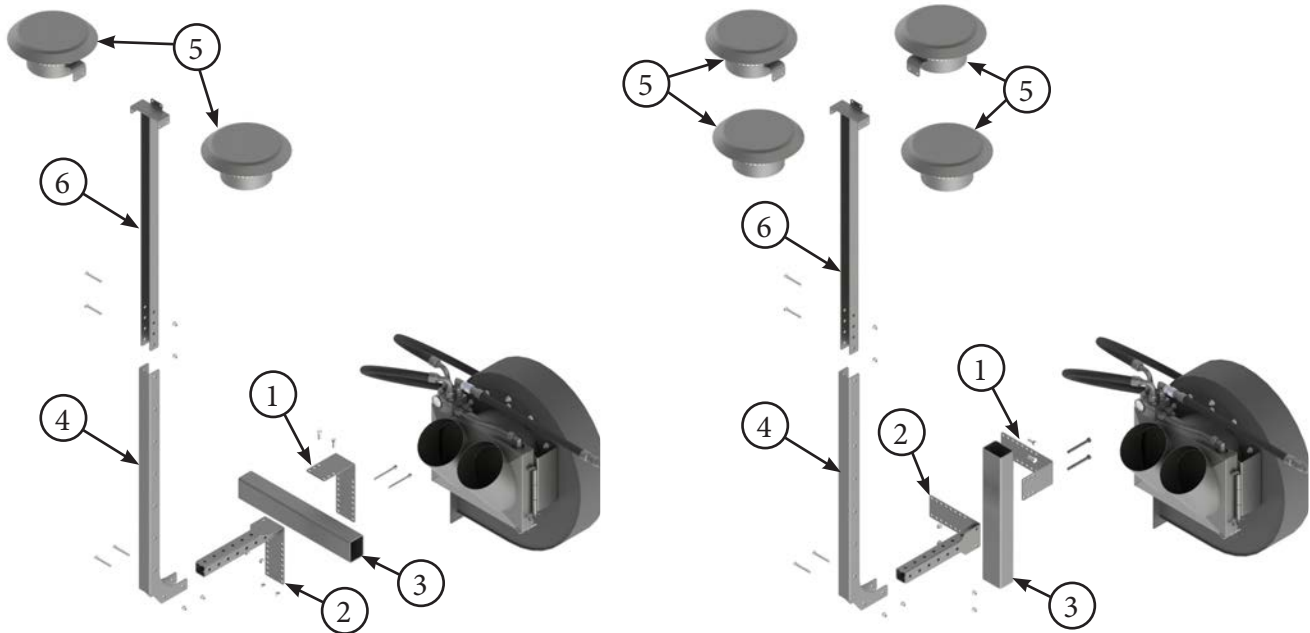
STEP 4

Attach Single (Item 1) or Double (Item 2) Snorkel Housing to front of BPS using latches (Item 4). Low profile snorkel housing (Item 3) available for tight install locations.

STEP 5a

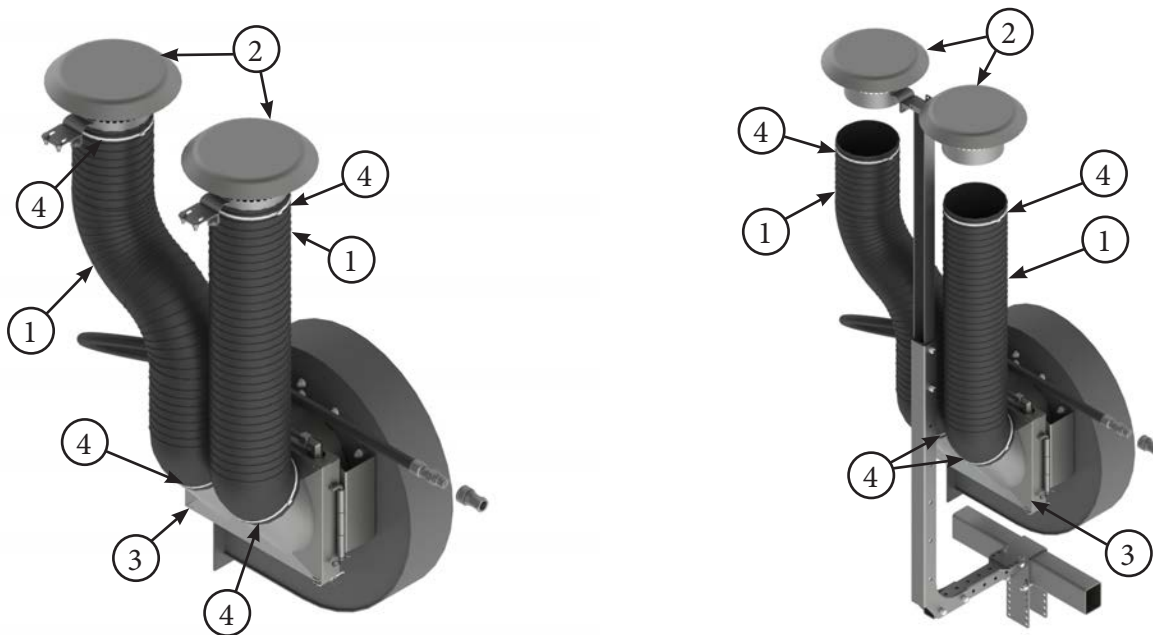
Mount Air Intake(s) (Item 1) to upper catwalk on air cart. Drill 2 - 3/8" holes in desired location. Also can be mounted to upper handrail.

Alternative Install: Airguard Snorkel Mount Kit to machine frame. See step 5b.



STEP 5b (Alternative Universal Snorkel Mount Kit)

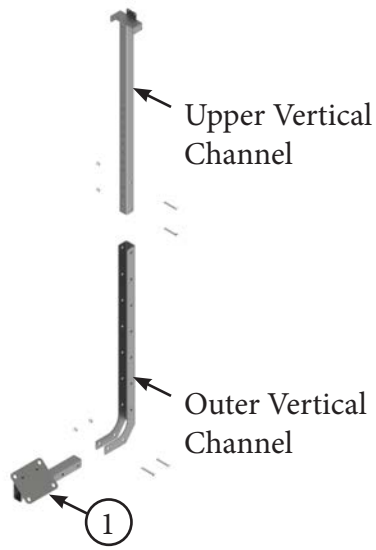
Install the Universal Snorkel Mount Kit to horizontal or vertical square HSS beams on any air cart. Assemble Brackets (Item 1 & 2) onto HSS beam (Item 3). Use supplied hardware 12mm x 110,130,160mm with 12mm lock nuts. Brackets are designed to fit HSS beams 3"-5" x 3"-10". Mount outer vertical channel (Item 4) to Bracket (Item 2). Attach air intakes (Item 5) to upper vertical channel (Item 6). A maximum of 4 intakes can be mounted. Determine desired height of air intakes and secure upper vertical channel (Item 6) to lower vertical channel (Item 4) at that location. Sometimes specific mount kits are available for particular machines. See page 10-13 for more installation details.



STEP 6

Attach 8" x 12ft flex hoses (Item 1) to air intakes (Item 2) and to snorkel housing (Item 3) using supplied 10" diameter clamps (Item 4). Secure hoses in place with zip ties to ensure that they are out of the way from moving parts on the air seeder.

7940 - Salford 8600/8700 Snorkel Mount



STEP 5b (7940 Snorkel Mount Kit)

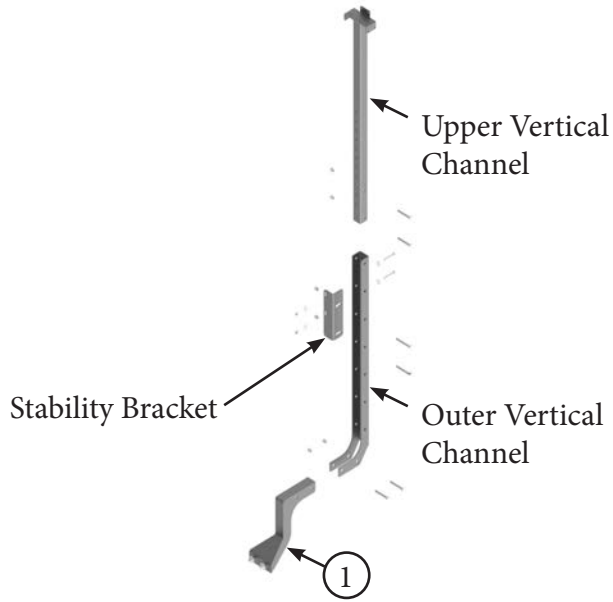
Install the Snorkel Mount bracket (Item 1) to fan mount plate (Item 2) using existing hardware.



STEP 5c

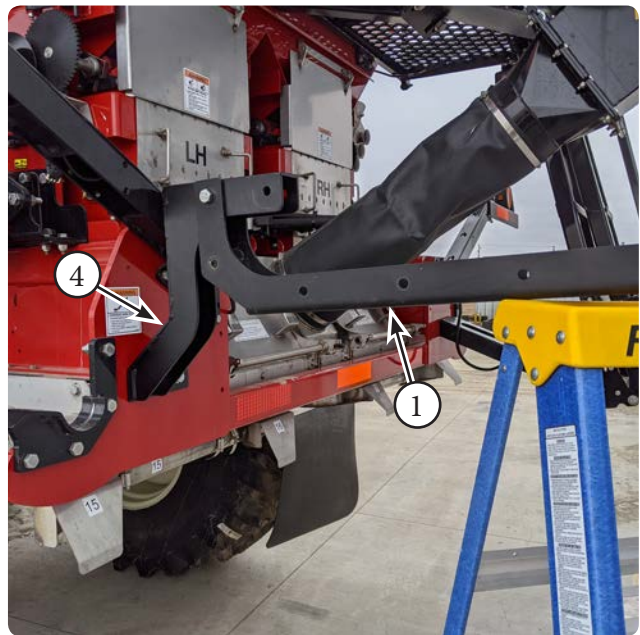
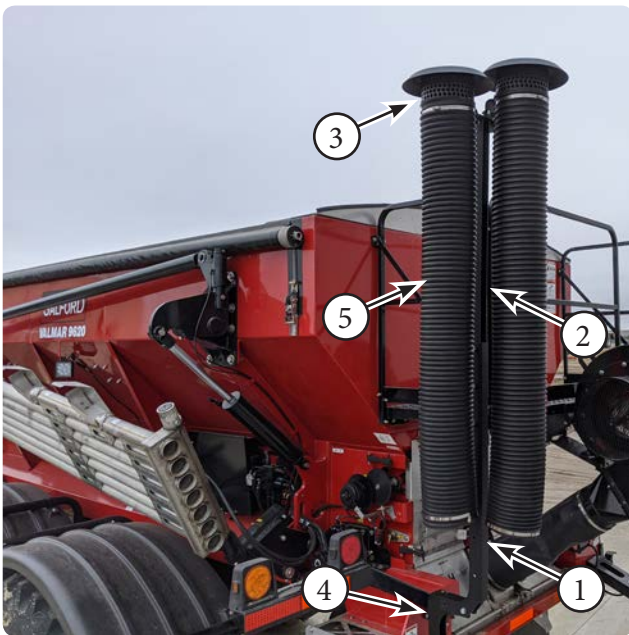
Mount outer vertical channel (Item 1) to upper vertical channel (Item 2). Use supplied hardware, 12mm x various lengths with 12mm lock nuts. Attach air intakes (Item 3) to upper vertical channel (Item 2). Attach 8" x 12ft flex hoses (Item 5) to air intakes (Item 3). Attach assembly to snorkel mount bracket (Item 4) using a single bolt and then proceed to rotate assembly vertically and attach second bolt. Attach 8" x 12ft flex hoses (Item 5) to snorkel housing (Item 6) using supplied 10" diameter clamps.

7950 - Salford 9620 Snorkel Mount



STEP 5b (7950 Snorkel Mount Kit)

Install the Snorkel Mount bracket (Item 1) to rear bumper plate (Item 2) using hardware provided.



STEP 5c

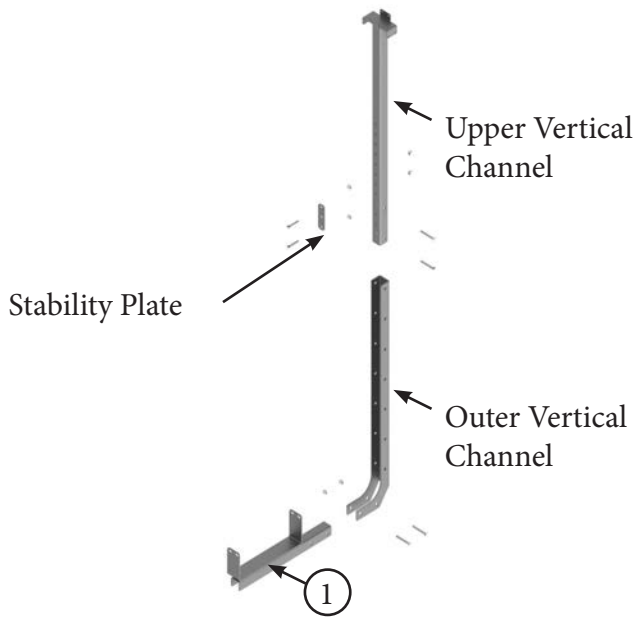
Mount outer vertical channel (Item 1) to upper vertical channel (Item 2). Use supplied hardware, 12mm x various lengths with 12mm lock nuts. Attach air intakes (Item 3) to upper vertical channel (Item 2). Attach 8" x 12ft flex hoses (Item 5) to air intakes (Item 3). Attach assembly to snorkel mount bracket (Item 4) using a single bolt and then proceed to rotate assembly vertically and attach second bolt.



STEP 5d

Attach stability bracket (Item 1) to railing (Item 2). Use longer 3/8" x 2 1/2" hardware provided. Then attach the stability bracket to outer vertical channel (Item 3) using 12mm x 90mm hardware. Attach 8" x 12ft flex hoses (Item 4) to snorkel housing (Item 5) using supplied 10" diameter clamps.

7960 - John Deere 1910 Tow Behind Snorkel Mount



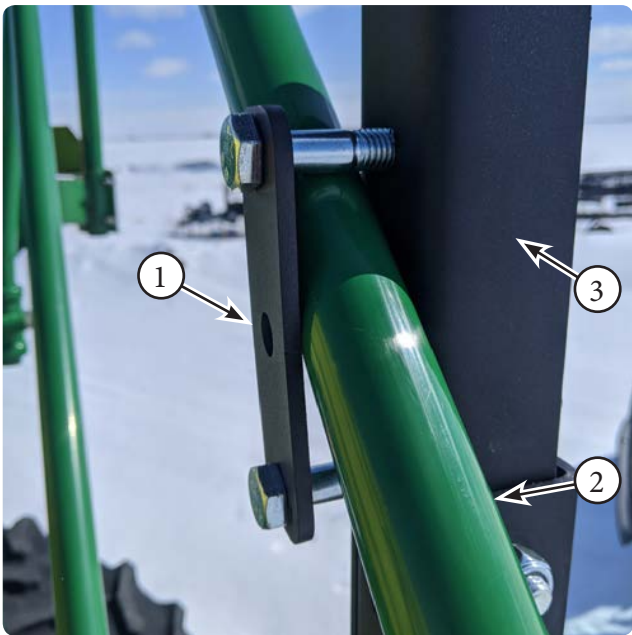
STEP 5b (7960 Snorkel Mount Kit)

Install the Snorkel Mount bracket (Item 1) to Stairs (Item 2) using existing hardware.



STEP 5c

Mount outer vertical channel (Item 1) to upper vertical channel (Item 2). Use supplied hardware, 12mm x various lengths with 12mm lock nuts. Attach air intakes (Item 3) to upper vertical channel (Item 2). Attach 8" x 12ft flex hoses (Item 5) to air intakes (Item 3). Attach assembly to snorkel mount bracket (Item 4) using a single bolt and then proceed to rotate assembly vertically and attach second bolt.



STEP 5d

Attach stability plate (Item 1) to railing (Item 2) and outer vertical channel (Item 3) using supplied hardware. Attach 8" x 12ft flex hoses (Item 4) to snorkel housing (Item 5) using supplied 10" diameter clamps.





Congratulations! You are now ready to seed with the added protection of the AIRGUARD™ Snorkel Kit

For more information or support on using AIRGUARD™ Products, visit our support page at airguardproducts.com, or call 1-604-744-0070

Thank you for choosing AIRGUARD™.

#165 2771 Progressive Way, Abbotsford BC, V2T 0A7 Canada
info@airguardproducts.com | 1.604.744.0070 | airguardproducts.com