

# Days Inn® by Wyndham, New Dawn Headboard Wall Imagery Installation Instructions

## Double/Double Bed Wall Art Installation

Each image is packed as a set of three. Remove all packaging and set aside on a clean surface.

## Install Review

**Tools Needed** – Level (20” wide or longer), pencil, safety glasses, drill, hammer and Philips screw driver.

**Provided Parts** - Wall anchors, screws, security wrench and cleats (attached on each art piece).

Ensure you have a minimum of 42” between the top of your headboard and your ceiling before proceeding with installation. In some instances, you might be required to relocate sconces or headboards down several inches to accommodate the imagery.

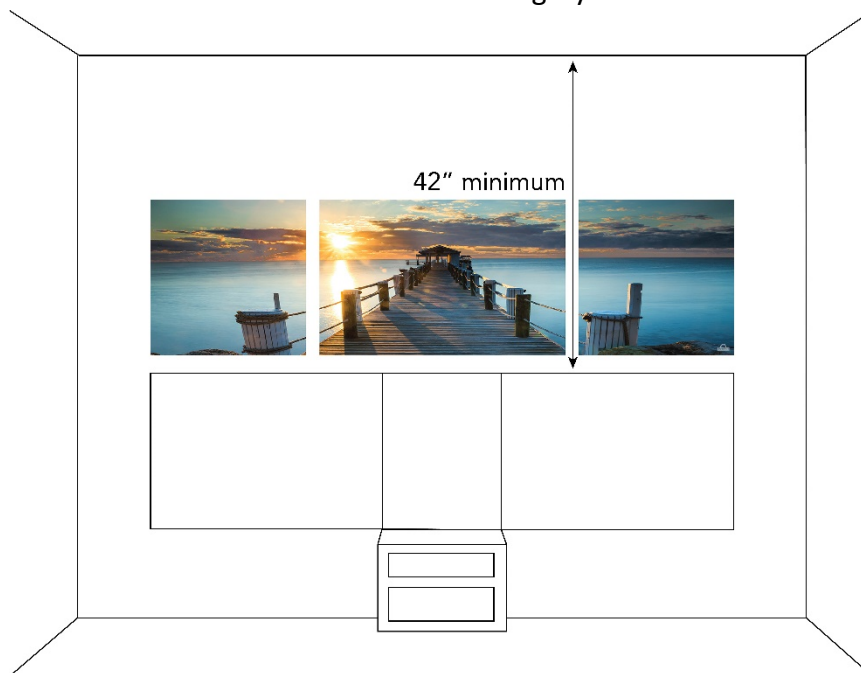


Figure 1

- Determine the correct order of the canvases prior to installing. The art panel with the Days Inn logo will always be on the right.
- The center art panel is centered on the nightstand.
- The spacing between art panels is 3”. Side art panels may be adjusted left to right when placed on cleats for fine adjustment.
- The bottom of the art panels are 3” above the headboard and nightstand panels.

See [Install.DaysInnImages.com](http://Install.DaysInnImages.com) for a video installation guide that corresponds to these written instructions.

## **Installation Steps**

1. Measure 36.5" above the top center of the nightstand and mark with a pencil.
2. Using a level and a pencil make approximately an 18" line centered on that point.

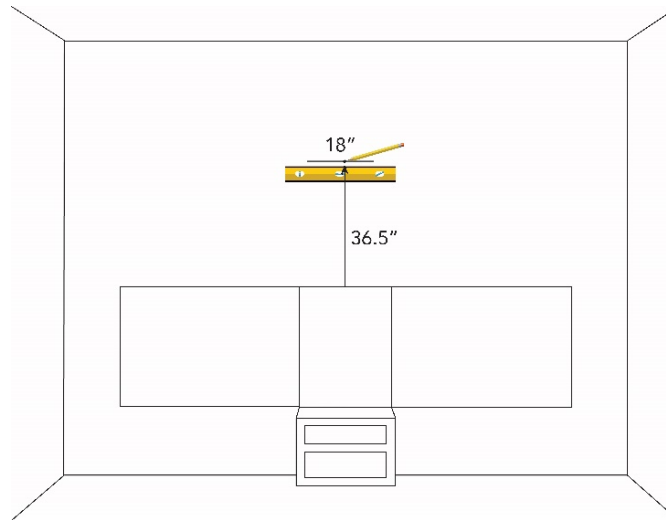


Figure 2

3. From the center point, use the level to measure 49.5" to the right and make a point.
4. From the center point, use the level to measure 49.5" to the left and make a point.

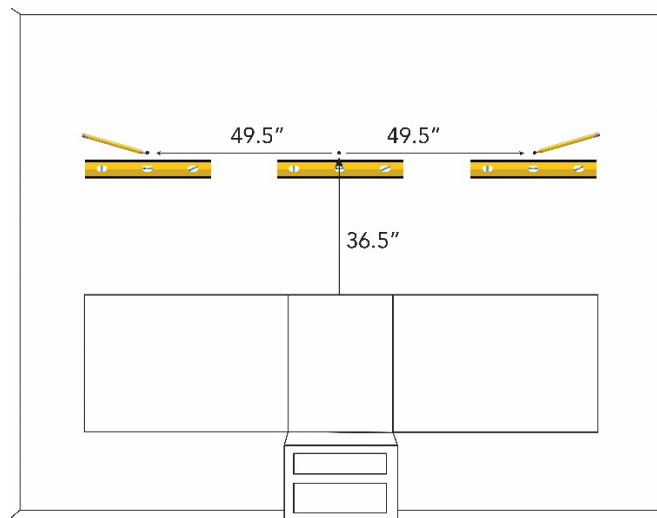


Figure 3

5. All three points are 36.5" up from headboard and nightstand panels.

- Use a level to make approximately an 18" line centered on the left and right points.

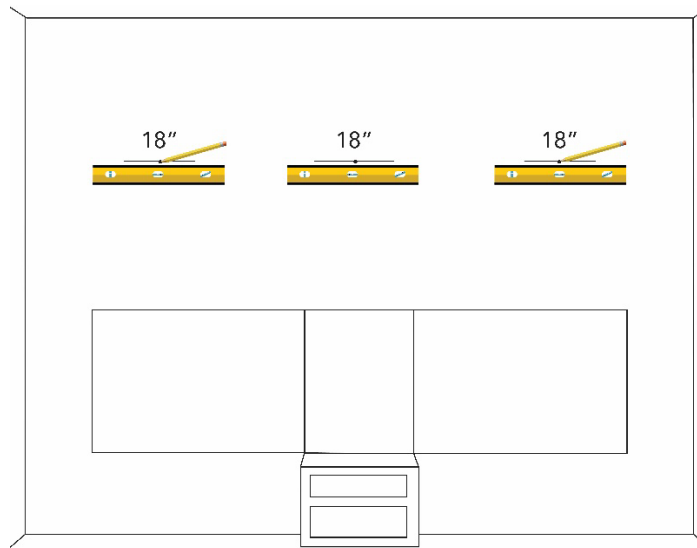


Figure 4

- Remove the tape from the aluminum cleat on the back of each image.
- Align the bottom of each cleat with the 18" line and use your pencil to mark the holes.

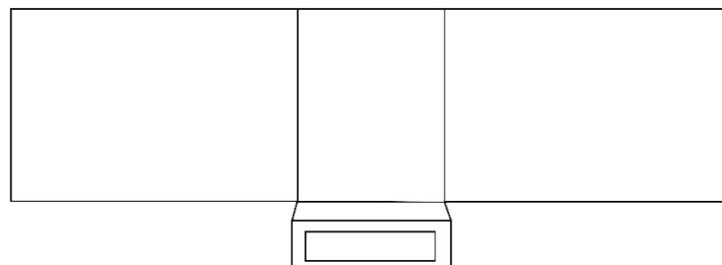
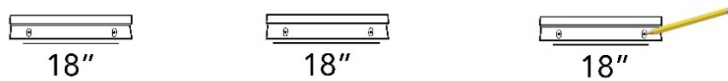


Figure 5

- Use a 1/4" drill bit to drill pilot holes for the provided plastic wall anchors.
- Use a hammer and gently tap in the provided plastic wall anchors.
- Place the cleat over the holes and secure by tightening the screws with a screwdriver.
  - Install all cleats, above each headboard and centered above the nightstand.
- Hang the images by starting with the middle image. Place the middle image centered over the nightstand.
- Hang the remaining two images, confirming the spacing between the art panels is 3". Side art panels may be adjusted left to right when placed on cleats for fine adjustment.

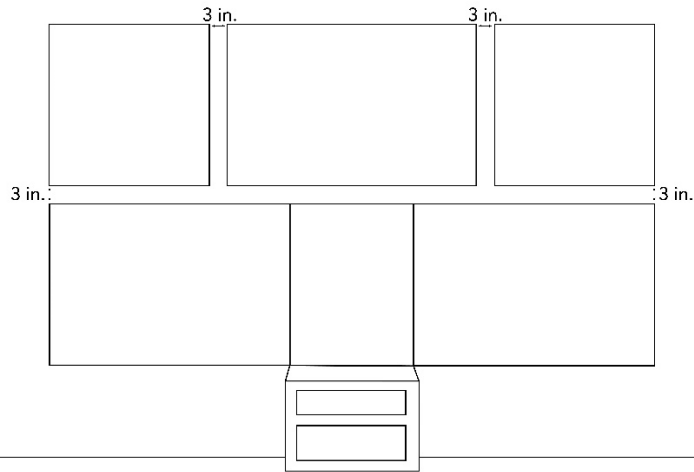


Figure 6

14. Security Hardware Anchor installation.

- a. With art hung, locate the security hardware at the bottom left and right of each image.
- b. Firmly press on the bottom and side edges of the frame so the small nubs on security hardware mark the wall.
- c. Remove each art piece and drill pilot holes in-between each mark.
- d. Insert wall anchors.
- e. Twist in the provided T-screw leaving the screw in the horizontal position.

15. Hang the image aligning the T-screw into the bracket. Use the provided security wrench to turn one quarter turn to secure the image to the wall.

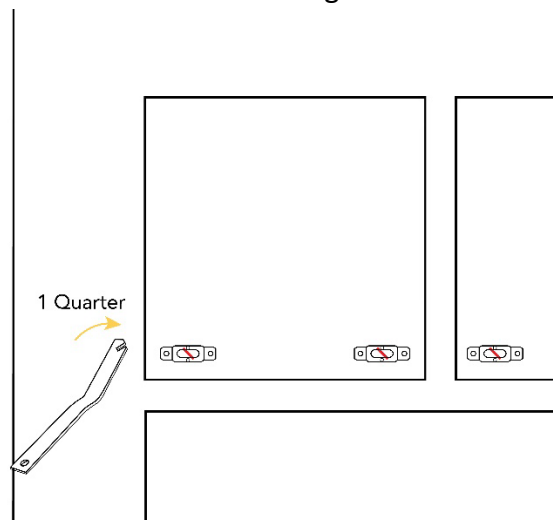


Figure 8

END

Visit [www.DaysInnImages.com](http://www.DaysInnImages.com) to browse regional image options and available sizes.