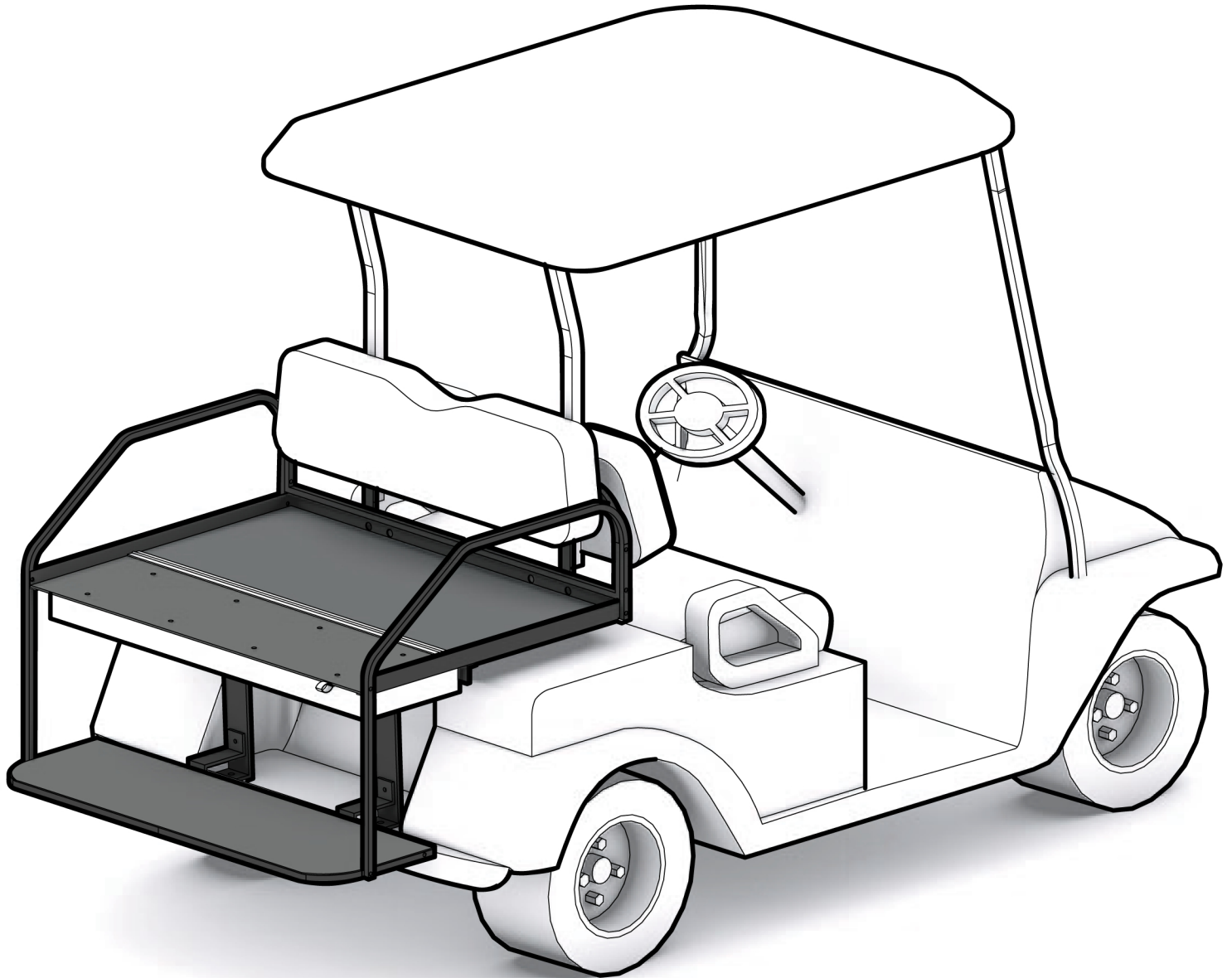


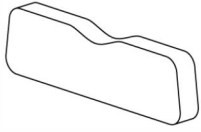
Club Car

Precedent Rear Flip Seat Kit

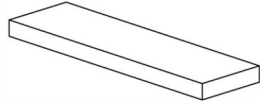
instruction manual



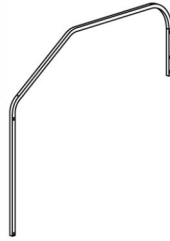
Parts List



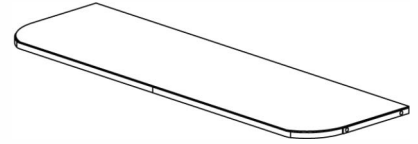
Back Pad (1)



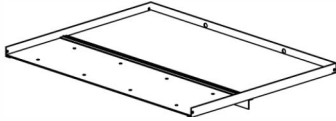
Seat Pad (1)



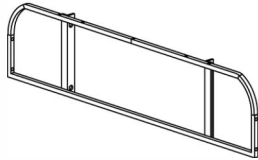
Side Frame (2)



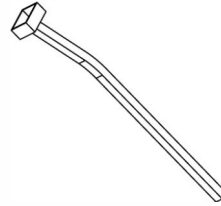
Step Plate (1)



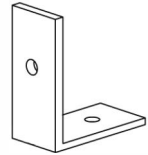
Flip Seat Frame (1)



Back Frame (1)



Roof Supports (2)



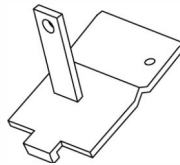
Front Supports(2)



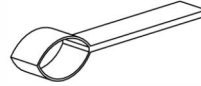
Step Plate Supports(2)



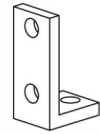
Rear Supports(2)



Seat Back Supports(2)




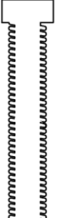

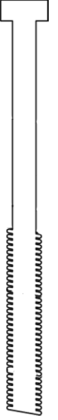





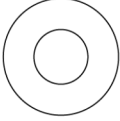
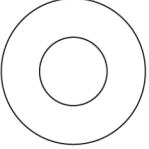



Seat Pull(1)



Rear Seat Supports(2)

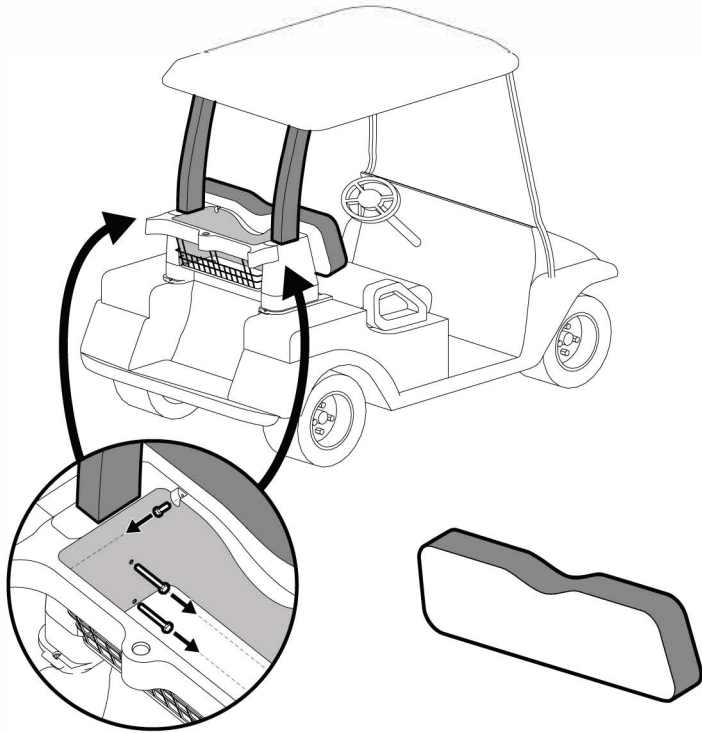
Bolts - actual size

Allen Bolt 1"	1/4" x 1"	1/4" x 1 3/4"	5/16" x 1"	5/16" x 1 1/2"	5/16" x 2"	5/16" x 2 1/2"	8mm x 35mm
(8)	(8)	(8)	(6)	(4)	(4)	(4)	(2)
							

1/4" Washer	5/16" Washer	3/8" Washer	1/4" Nyloc Nut	5/16" Nyloc Nut	5/16" Acorn Nut
(16)	(36)	(2)	(4)	(16)	(2)
					

Installation

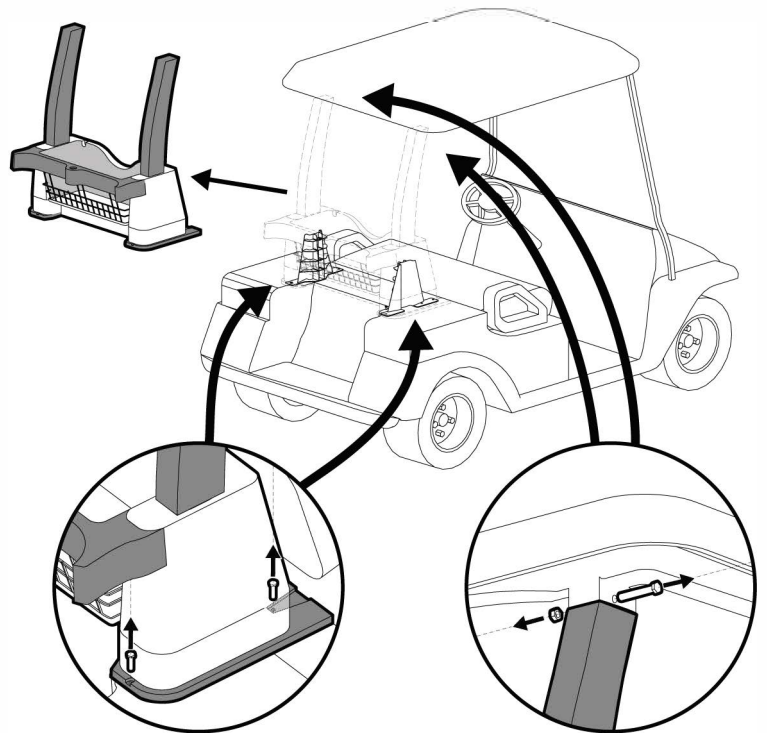
1. Unbolt accessories.



remove bolts connecting top supports and front cushion to Structure Accessory Module.

Set aside front cushion for later use.

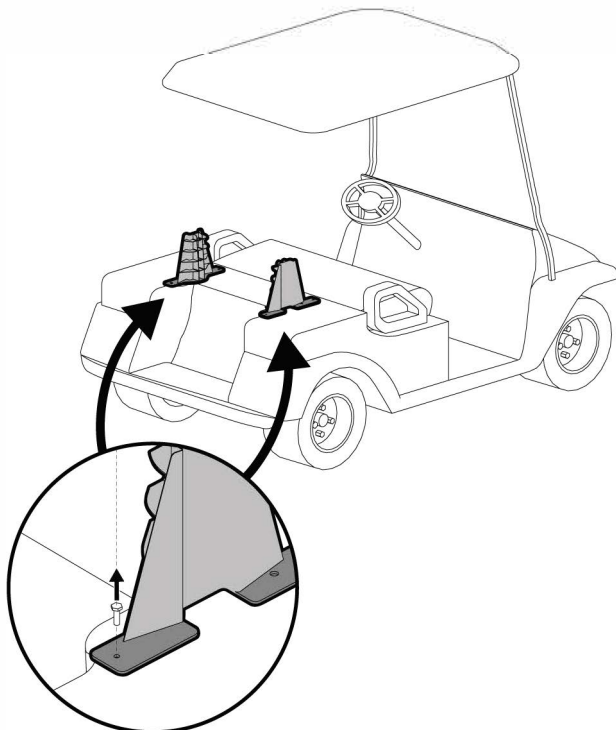
2. Remove Structure Accessory Module.



Remove bolts connecting Structure Accessory Module to body.

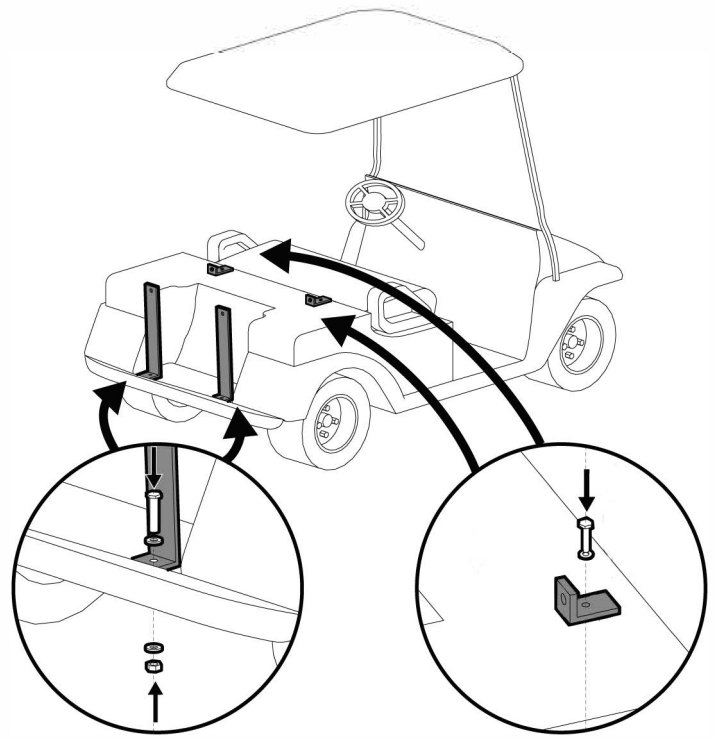
Remove bolts connecting roof supports to roof.

3. Remove supports brackets.



Remove bolts connecting support brackets to body.

4. Install flip seat frame supports.

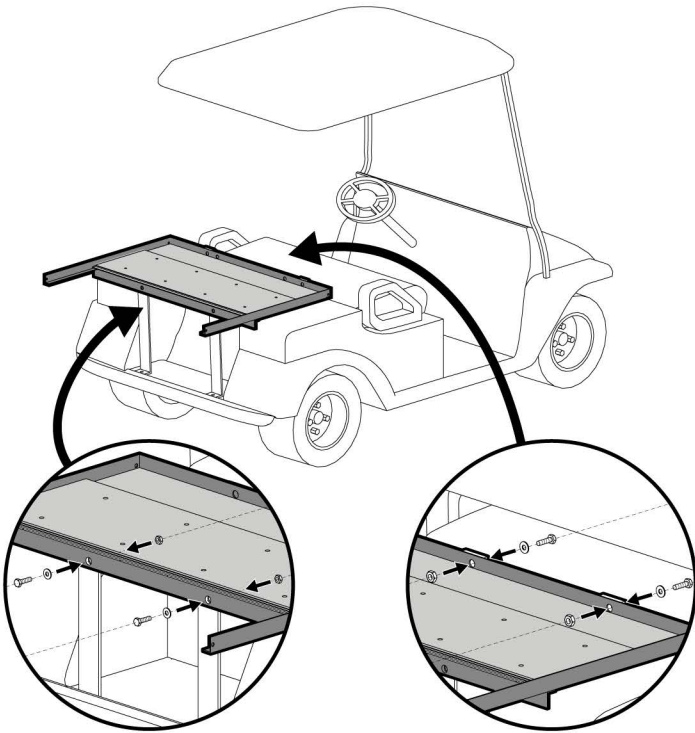


Drill outer holes in bag well to 3/8" and place rear supports in bag well with 5/16" x 1 1/2" bolts, flat washers, and nuts.

Bolt front supports to upper bag well with 8mm x 35mm bolts.

Installation

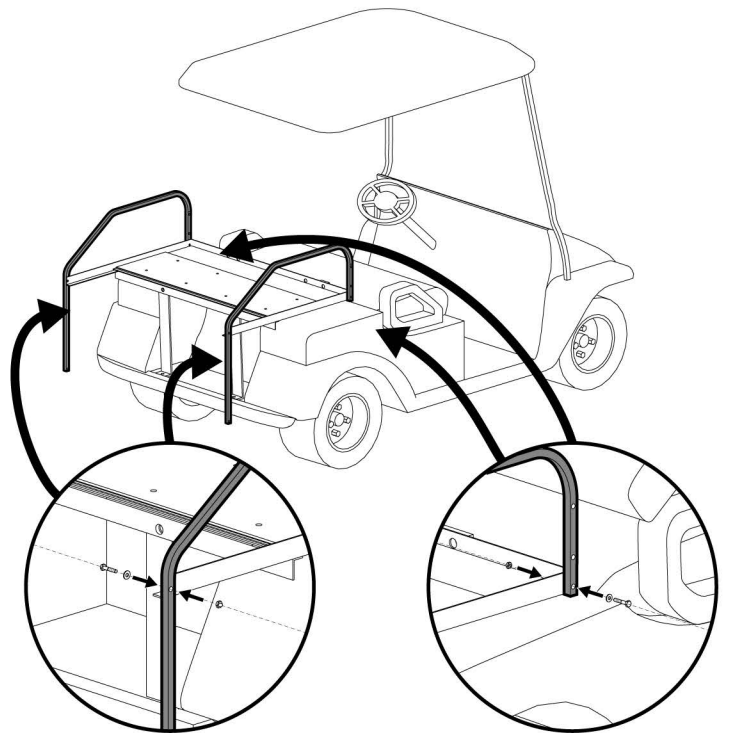
5. Install flip seat frame.



Bolt rear supports to underside of flip seat frame with 5/16" x 1" bolts, flat washers, and nuts.

Bolt front supports to outer side of flip seat frame with 5/16" x 1" bolts, flat washers, and nuts.

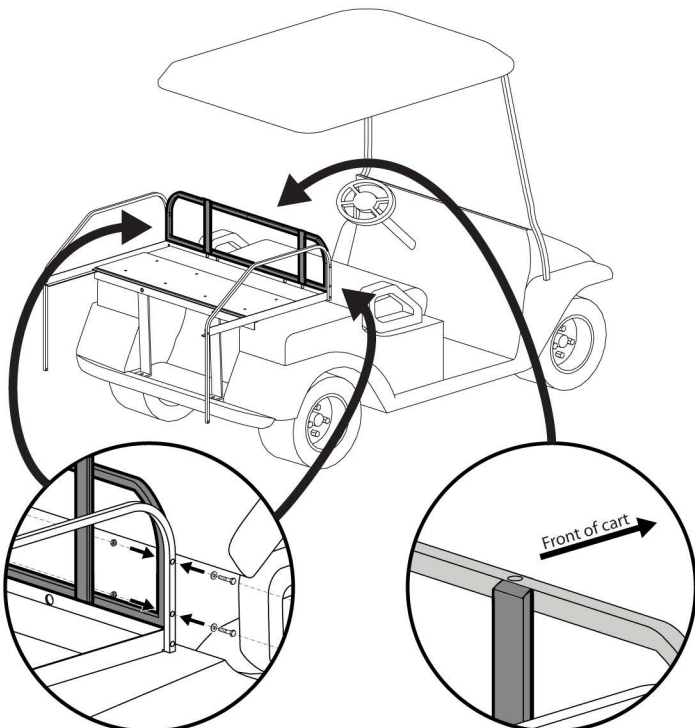
6. Install side frames.



Bolt side frames to rear of flip seat frame with 5/16" x 1 1/2" bolts, flat washers, and acorn nuts.

Bolt side frames to front of flip seat frame with 5/16" x 1 1/2" bolts, flat washers, and nyloc nuts.

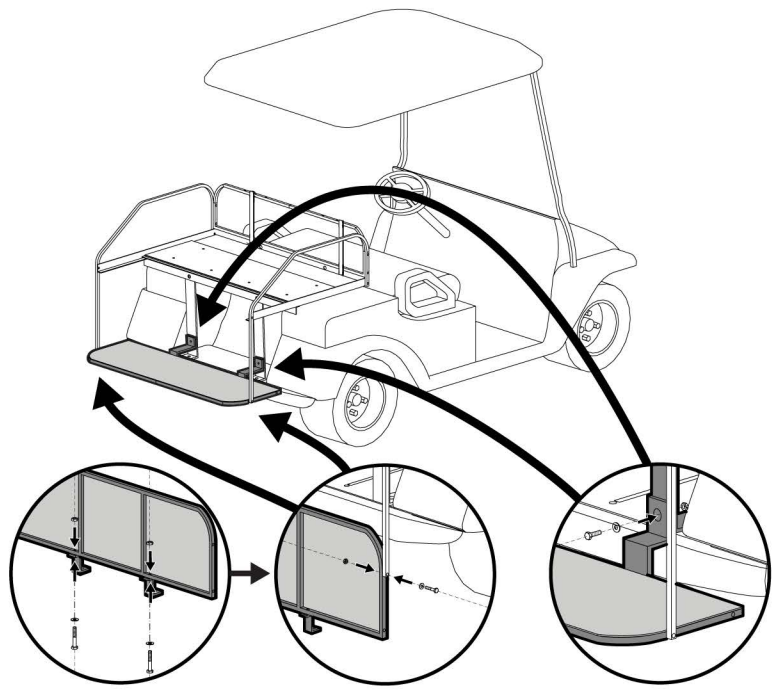
7. Install back frame.



Bolt back frame to side frames with 5/16" x 2 1/2" bolts, flat washers, and nyloc nuts.

Install back frame with roof support brackets facing the front of the cart.

8. Install step plate.



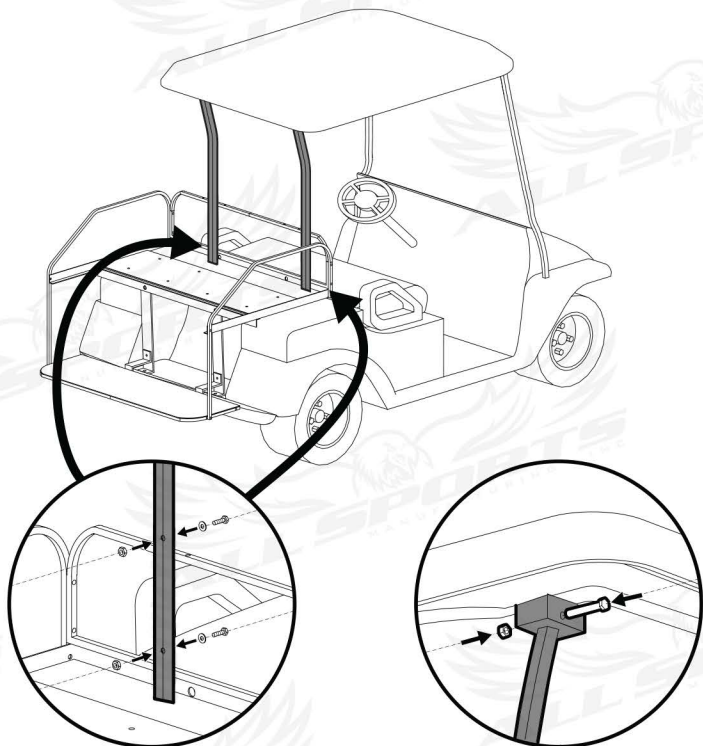
Bolt step plate supports loosely to step plate with 5/16" x 2" bolts(2), flat washers(2), and nuts(2).

Bolt step plate to side frames with 5/16" x 2 1/2" bolts(2), flat washers(2), and nuts(2).

connect step plate supports to rear supports with 5/16" x 1" bolts, flat washers, and nuts.

Installation

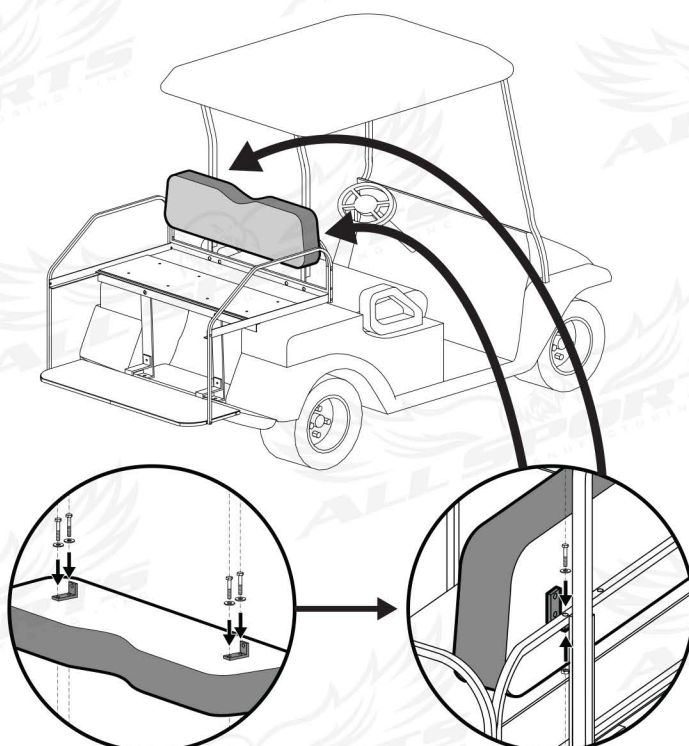
9. Install roof supports.



Bolt roof supports to back frame using 1/4" x 1 3/4" bolts, flat washers, and nuts.

Bolt roof supports to roof using original hardware.

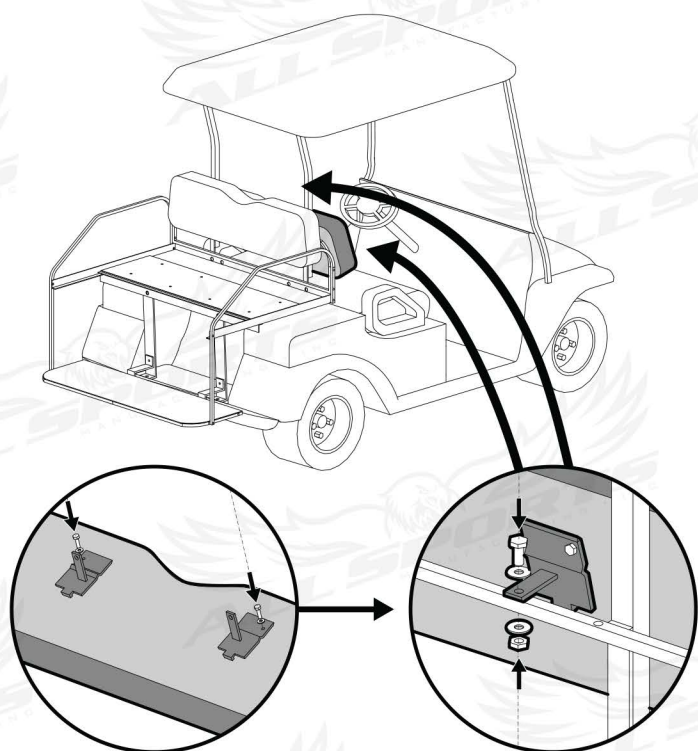
10. Install rear seat back pad.



Bolt rear seat supports(2) to back of rear seat back pad with 1/4" x 1" bolts(4) and flat washers(4).

Bolt rear seat back pad to underside of back frame with 1/4" x 1 3/4" bolts(2), flat washers(2), and nuts(2).

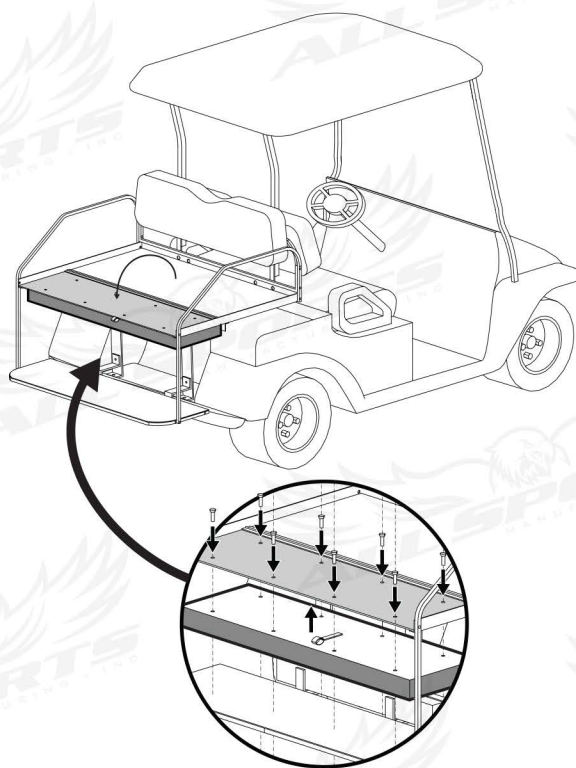
11. Re-install front seat back pad.



Bolt front supports to existing seat cushion using existing hardware.

Bolt supports to rear seat frame using 1/4" x 1 3/4" bolts, flat washers, and nuts.

12. Install flip-seat pad.



Attach flip seat pad to underside of cargo panel with allen bolts(8). Secure seat pull in between pad and panel.

Parts not shown in proportion.