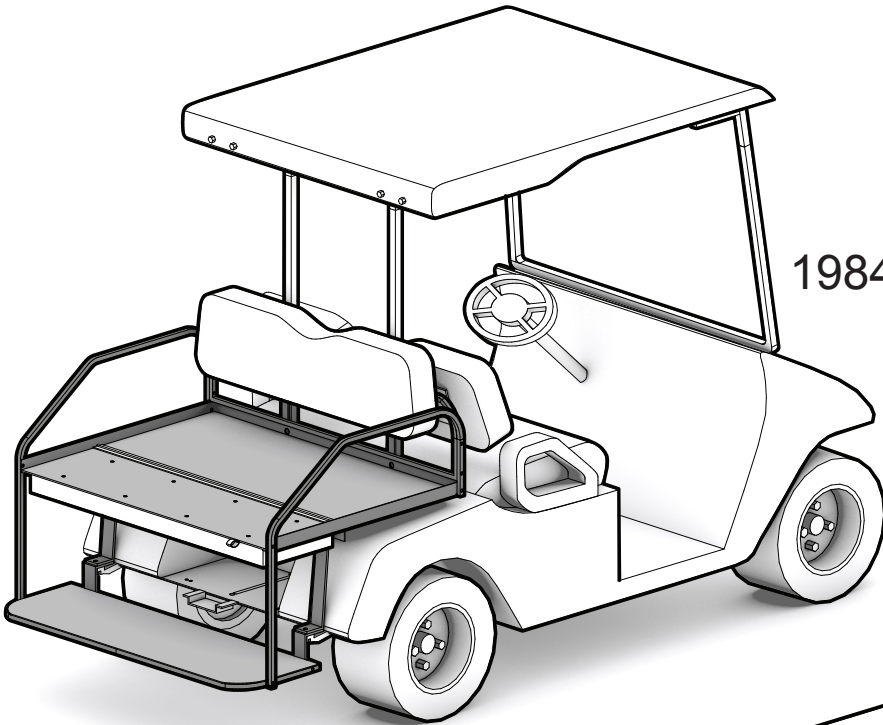


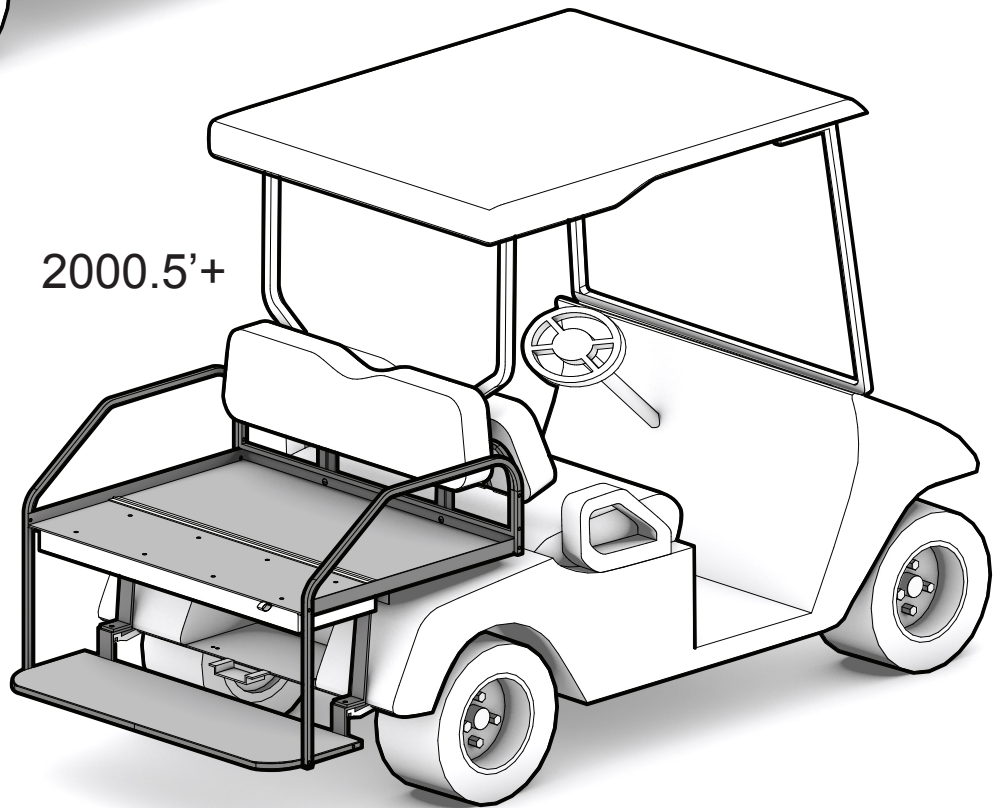
**Club Car**

# **DS Rear Flip Seat Kit**

instruction manual

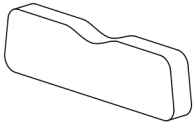


1984' - 2000.5'

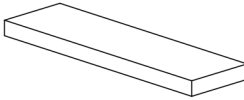


2000.5'+

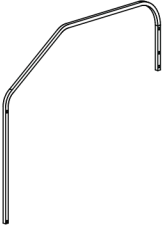
# Parts List



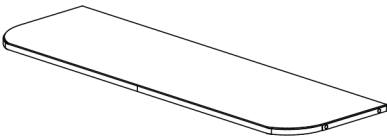
Back Pad (1)



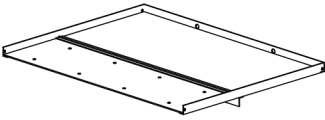
Seat Pad (1)



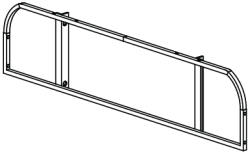
Side Frame (2)



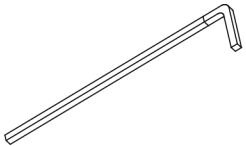
Step Plate (1)



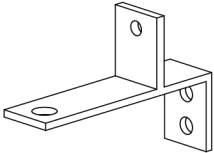
Flip Seat Frame (1)



Back Frame (1)



Roof Supports (2)  
88'-00.5' models



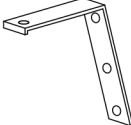
Front Supports(2)



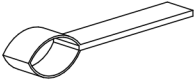
Step Plate Supports(2)



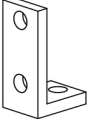
Rear Supports(2)



Front Seat Supports(2)



Seat Pull(1)



Rear Seat Supports(2)

# Bolts - **actual size**

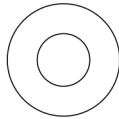
Allen Bolt 1" (8)	1/4" x 1" (8)	1/4" x 1 3/4" (8)	5/16" x 1" (4)	5/16" x 1 1/2" (12)	5/16" x 2" (2)	5/16" x 2 1/2" (6)
-------------------	---------------	-------------------	----------------	---------------------	----------------	--------------------



1/4" Washer (24)



5/16" Washer (48)



1/4" Nyloc Nut (8)



5/16" Nyloc Nut (20)

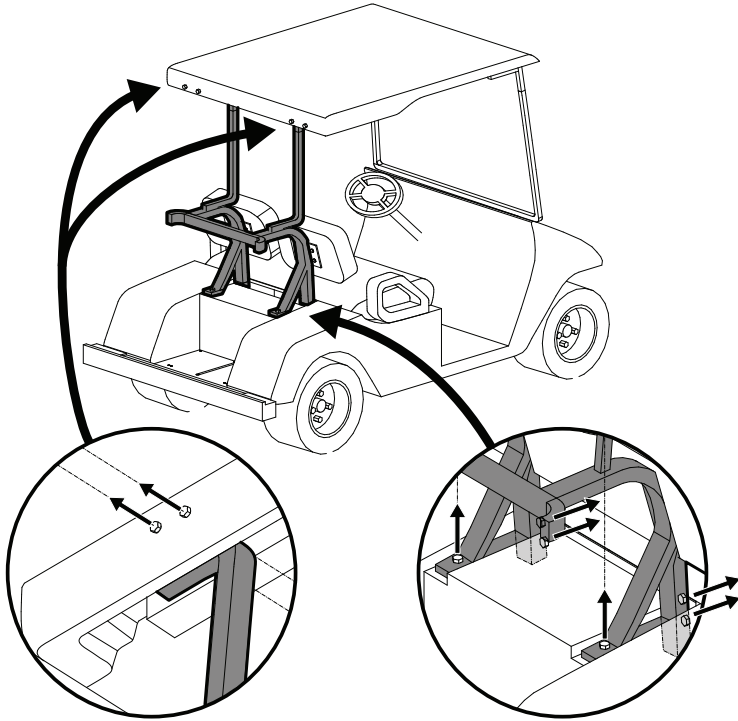


5/16" Acorn Nut (2)



# Installation DS 1985' - 2000.5'

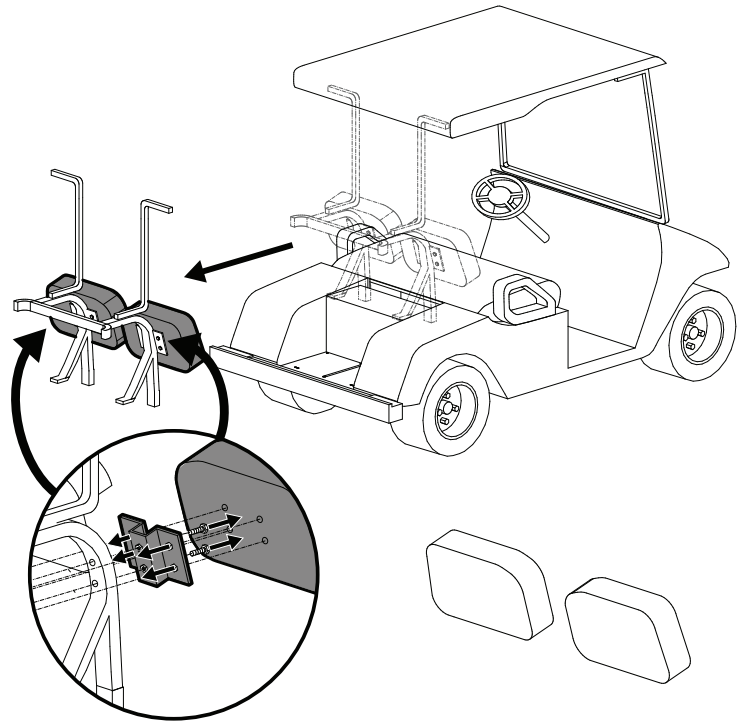
## 1a. Unbolt existing supports



remove bolts(2) connecting roof supports(2) to roof.

remove bolts(6) connecting rear support to frame. You may need to lift up front seat to access bolts.

## 2a. Remove rear support and disassemble.

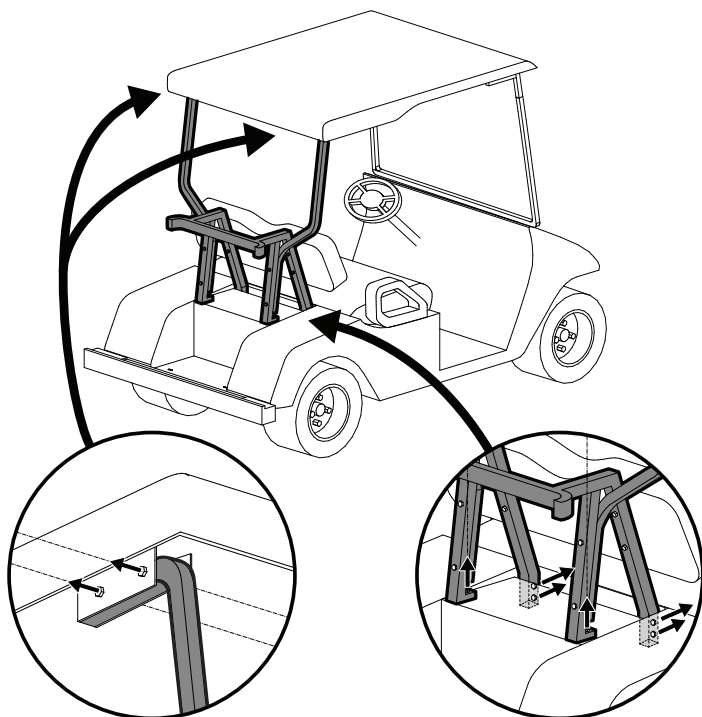


Remove bolts connecting seat cushions to seat plates. Remove bolts connecting seat plates from rear support.

Set aside front seat cushion(s) for later use.

# DS 2000.5'+

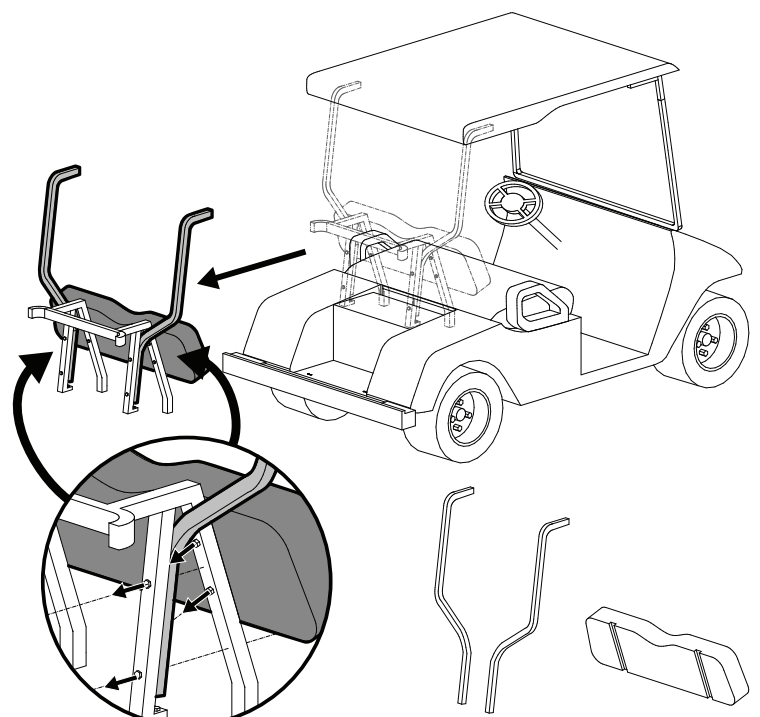
## 1b. Unbolt existing supports



remove bolts(2) connecting roof supports(2) to roof.

remove bolts(6) connecting rear support to frame. You may need to lift up front seat to access bolts.

## 2b. Remove rear support and disassemble.

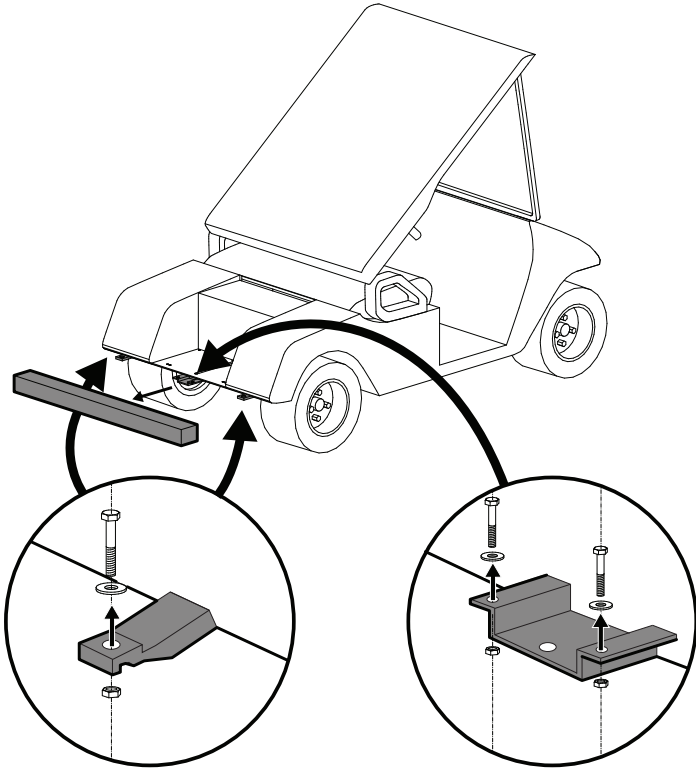


Remove bolts (2) connecting seat to bag frame. Remove bolts (2) connecting roof support to frame.

Set aside front seat cushion and roof supports for later use.

# Installation DS All Years

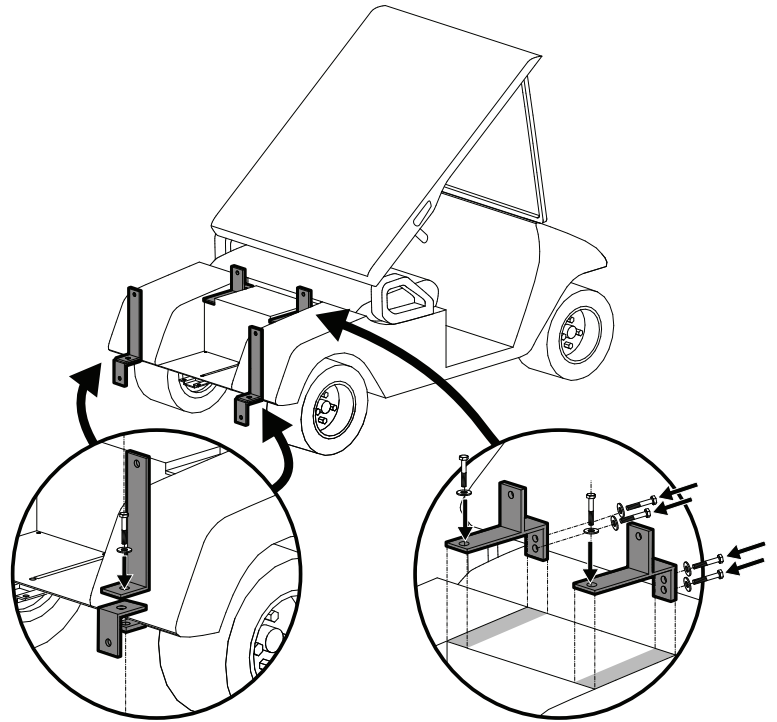
3. Remove rear bumper.



Remove bolts connecting bumper to outer frame mounts.

Remove bolts connecting bumper to middle frame plate.

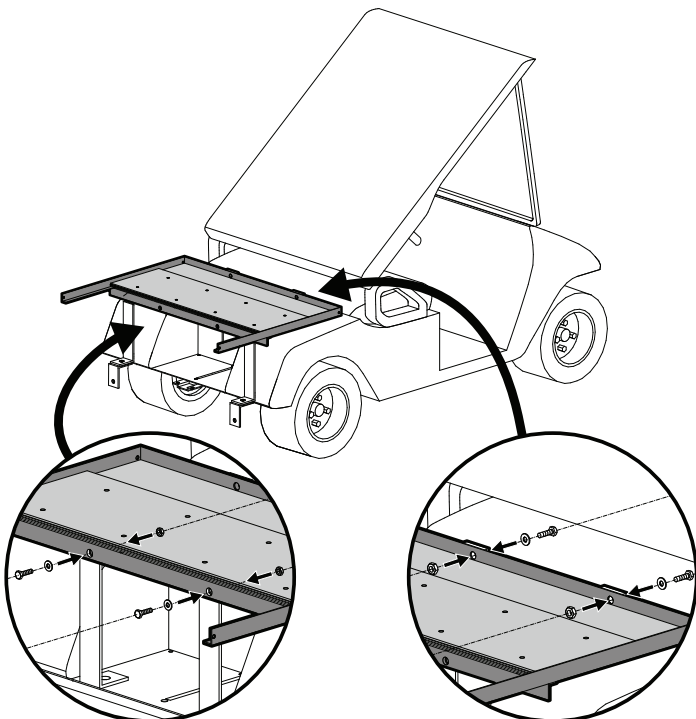
4. Install flip seat frame supports.



Bolt rear frame supports and stepplate supports onto outer frame mounts with 5/16" x 1 1/2" bolt, flat washer, and nut.

Bolt front frame supports to top of bag well using 5/16" x 1 1/2" bolts, flat washers, and nuts.

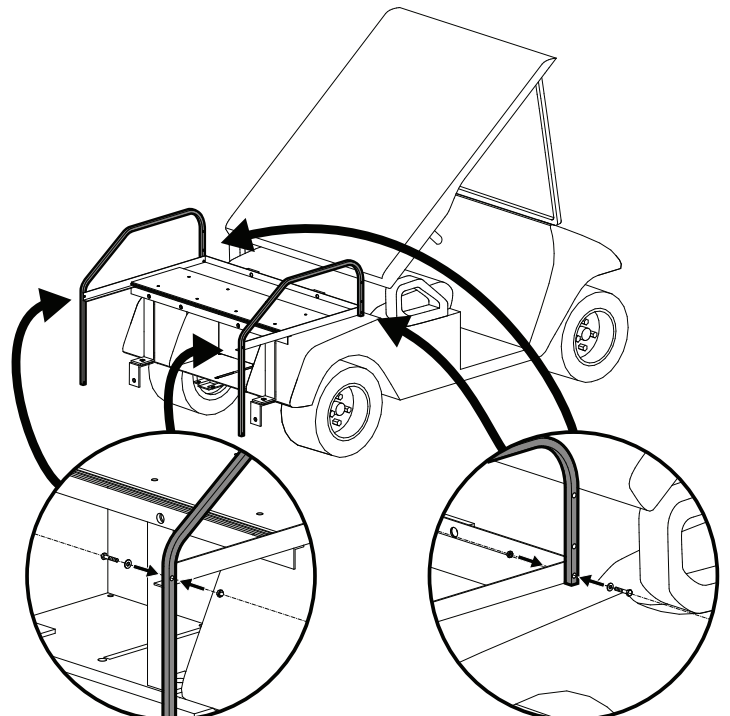
5. Install flip seat frame.



Bolt rear supports to underside of flip seat frame with 5/16" x 1" bolts, flat washers, and nuts.

Bolt front supports to outer side of flip seat frame with 5/16" x 1" bolts, flat washers, and nuts.

6. Install side frames.

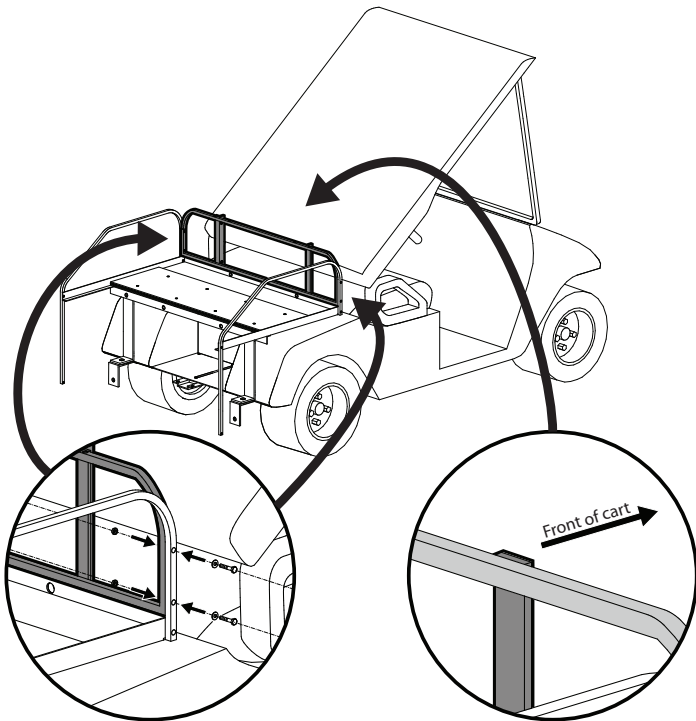


Bolt side frames to rear of flip seat frame with 5/16" x 1 1/2" bolts, flat washers, and acorn nuts.

Bolt side frames to front of flip seat frame with 5/16" x 1 1/2" bolts, flat washers, and nyloc nuts.

# Installation DS All Years

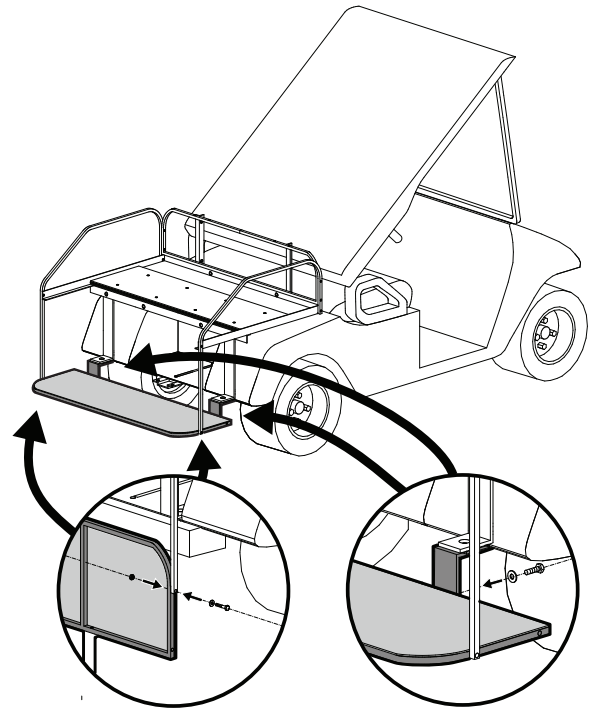
## 7. Install back frame.



Bolt back frame to side frames with 5/16" x 2 1/2" bolts, flat washers, and nyloc nuts.

Install back frame with roof support brackets facing the front of the cart.

## 8. Install step plate.

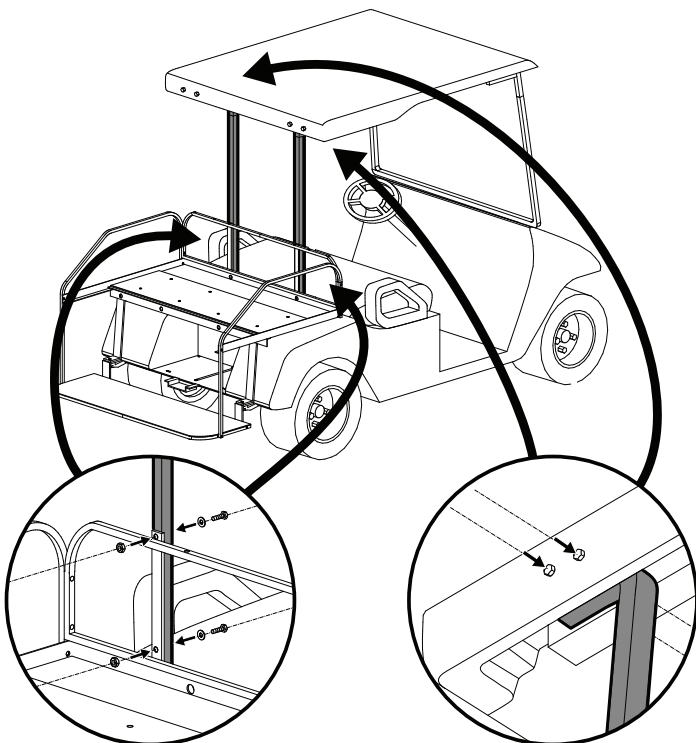


Bolt step plate to side frames with 5/16" x 2 1/2" bolts, flat washers, and nuts.

Bolt step plate to step plate supports - installed in step x - with 5/16" x 2" bolts, flat washers, and nuts.

## DS 1984'-2000.5'

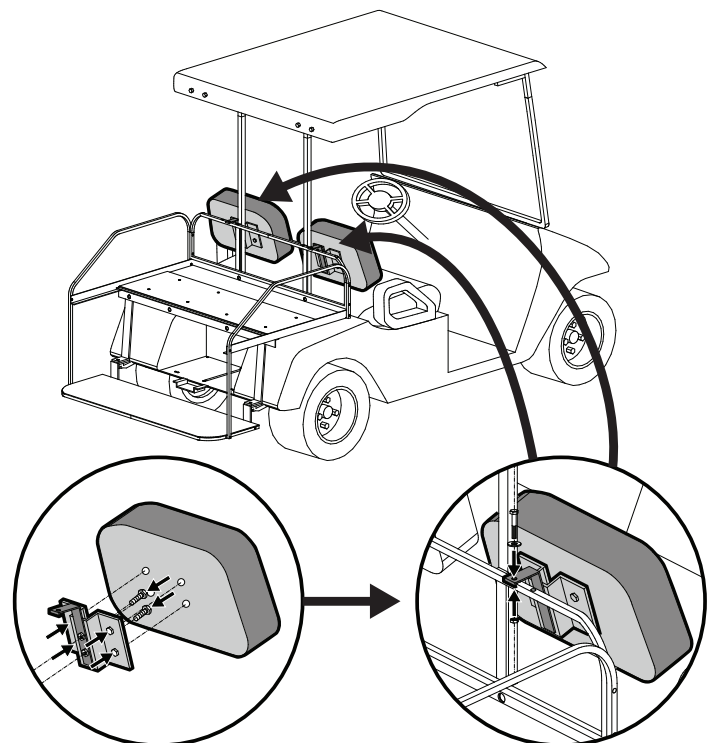
### 9a. Install roof supports.



Bolt roof supports to back frame using 1/4" x 1 3/4" bolts, flat washers, and nuts.

Bolt roof supports to roof using factory hardware.

### 10a. Re-install front seat cushions.



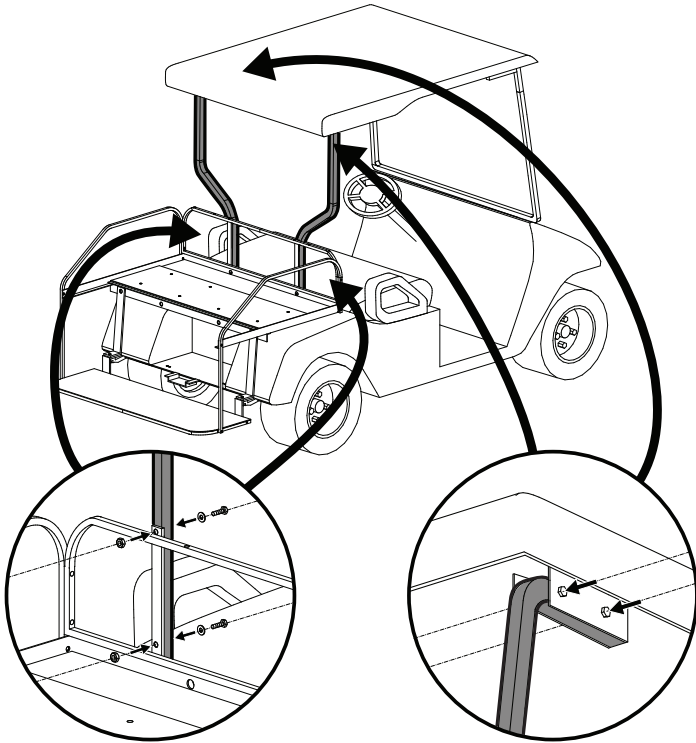
Bolt Front seat support to existing bracket using 1/4" x 1" bolts, flat washers, and nuts. re-bolt bracket to front seat cushions using factory bolts.

Bolt front seat cushion to top of back frame with 1/4" x 1 3/4" bolt, flat washer, and nut.

Parts not shown in proportion.

# Installation DS 2000.5'+

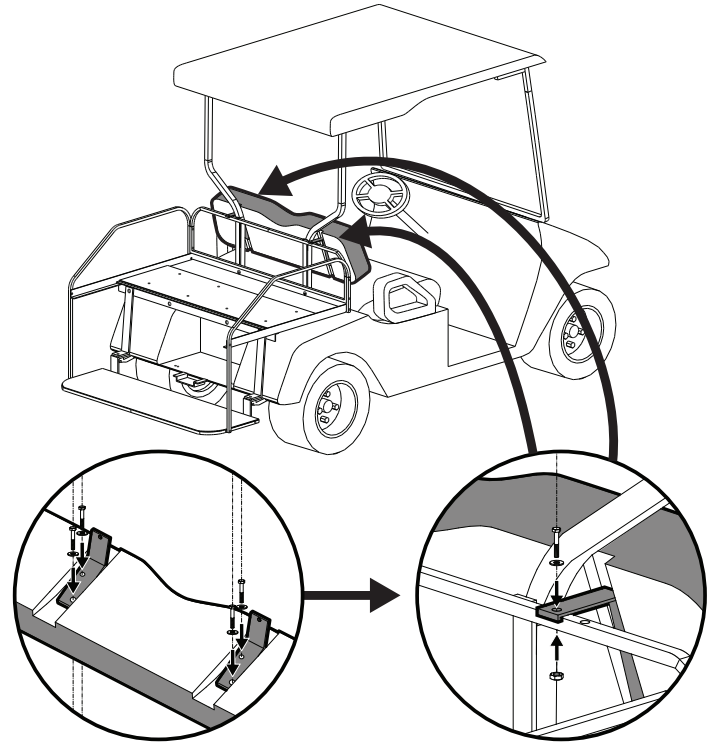
## 9b. Install roof supports.



Bolt roof supports to back frame using 1/4" x 1 3/4" bolts, flat washers, and nuts.

Bolt roof supports to roof using factory hardware.

## 10b. Re-install front seat cushion.

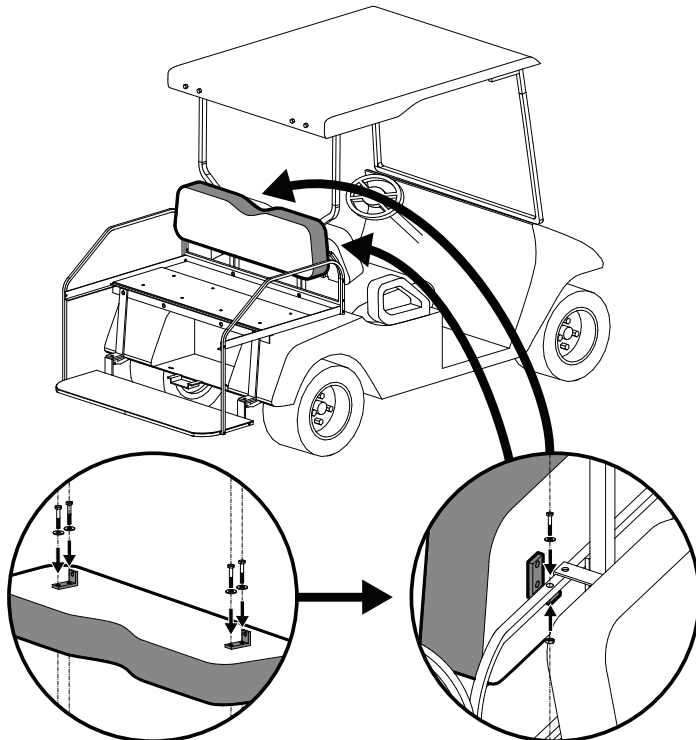


Bolt front seat supports to back of front seat back pad with 1/4" x 1" bolts, and flat washers.

Bolt front seat cushion to top of back frame with 1/4" x 1 3/4" bolts, flat washers, and nuts.

## DS All Years

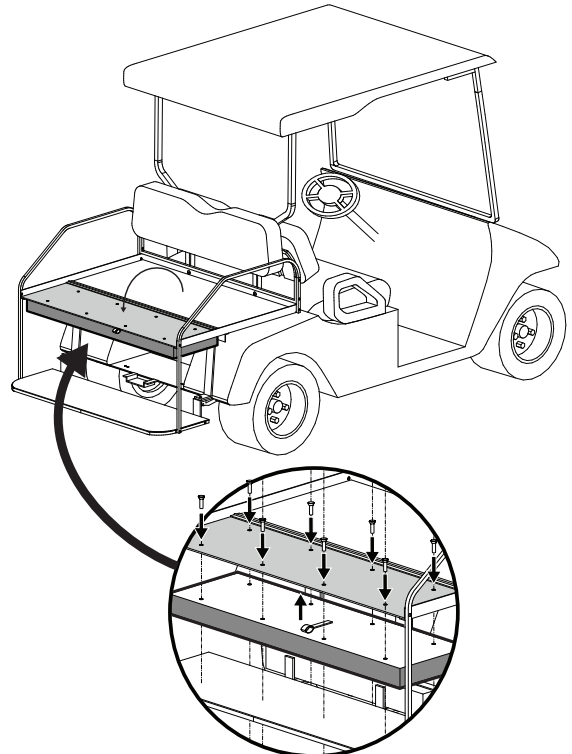
### 11. Install rear seat back pad.



Bolt rear seat supports(2) to back of rear seat back pad with 1/4" x 1" bolts(4) and flat washers(4).

Bolt front seat back pad to top side of back frame with 1/4" x 1 3/4" bolts(2), flat washers(2), and nuts(2).

### 12. Install flip-seat pad.



Attach flip seat pad to underside of cargo panel with allen bolts(8). Secure seat pull in between pad and panel.