

Item No.: RC 18

INSTALLATION INSTRUCTIONS

The transmitter is best mounted on the hinged side of the door about 2/3 to 3/4 of the way up from the ground. The magnet will be on the door frame opposite the transmitter with the three dots on the transmitter and the magnet aligned.

The receiver is battery operated.

TO CHANGE ID CODE SETTINGS AND TONES

To change ID CODES:

Occasionally a chime will be sold to a neighboring business; this will cause the chime in both businesses to chime.

To overcome this there are dipswitches on the transmitter and receiver.

On the reverse side of the receiver there a set of 6 dipswitches. By removing the transmitter from the mounting plate will expose the the corresponding set of dipswitches.

The ID codes **MUST** match on both the transmitter and receiver for the chime to work properly.

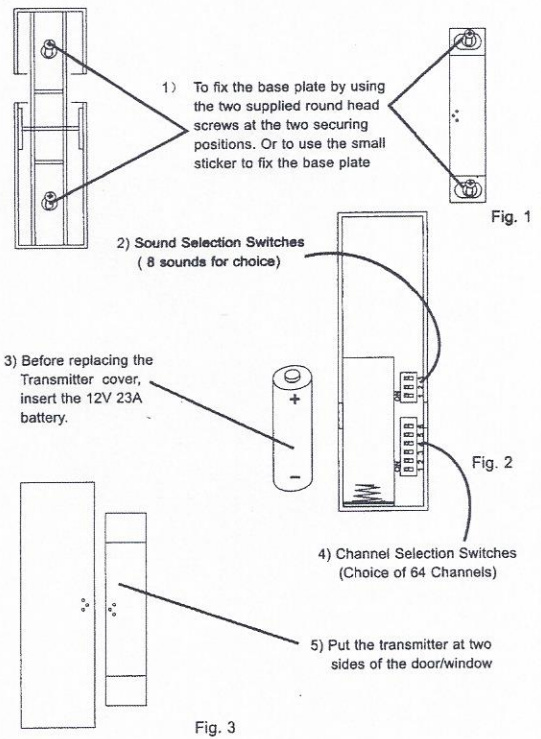
To change tones : To change the tones there are three dipswitches on the TRANSMITTER above the ID CODE dipswitches. To change the Tone move these. The dipswitch configuration is to the right for each of the tones.

TONES:

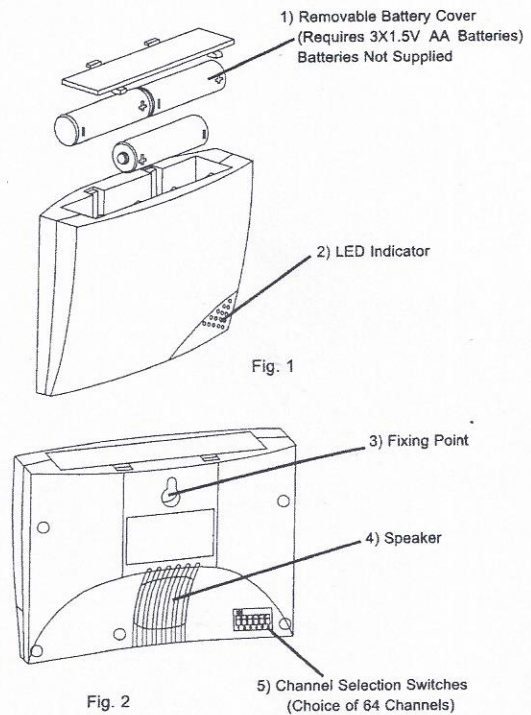
- 1 UP, 2 DOWN, 3 UP Ding Dong (Once)
- 1,2,3 UP Ding Dong (Twice)
- 1,2,3 DOWN Yellow Rose of Texas
- 1 DOWN; 2,3 UP Westminster 1
- 1,2 DOWN; 3 UP Westminster 2
- 1DOWN,2 UP, 3 DOWN Melody 1
- 1,2 UP; 3 DOWN Melody 2
- 1UP; 2,3 DOWN Melody 3

To change the battery : Remove the Transmitter from the mounting plate and replace it with a 12V battery Model 23 A (Alkaline) or 23 L (Lithium)

Transmitter



Receiver Unit



Reliable Chimes, Inc. 

Phone: 800-641-4111 • sales@reliablechimes.com