

A

B

C

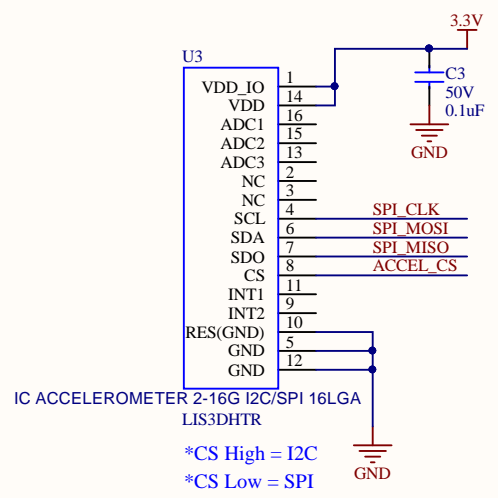
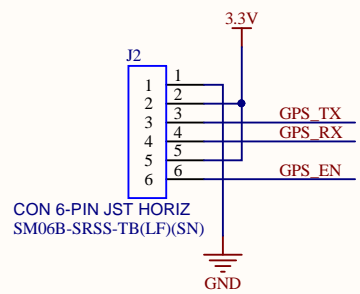
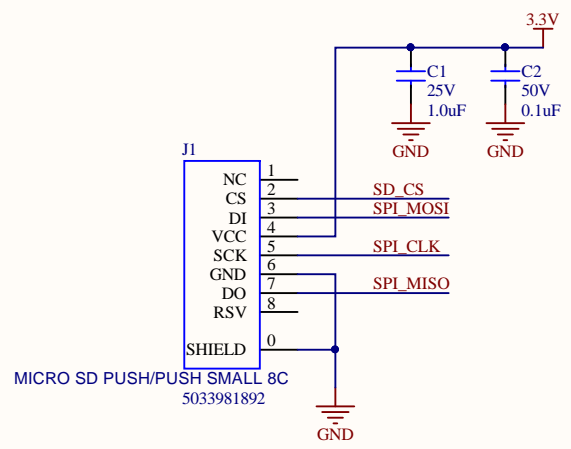
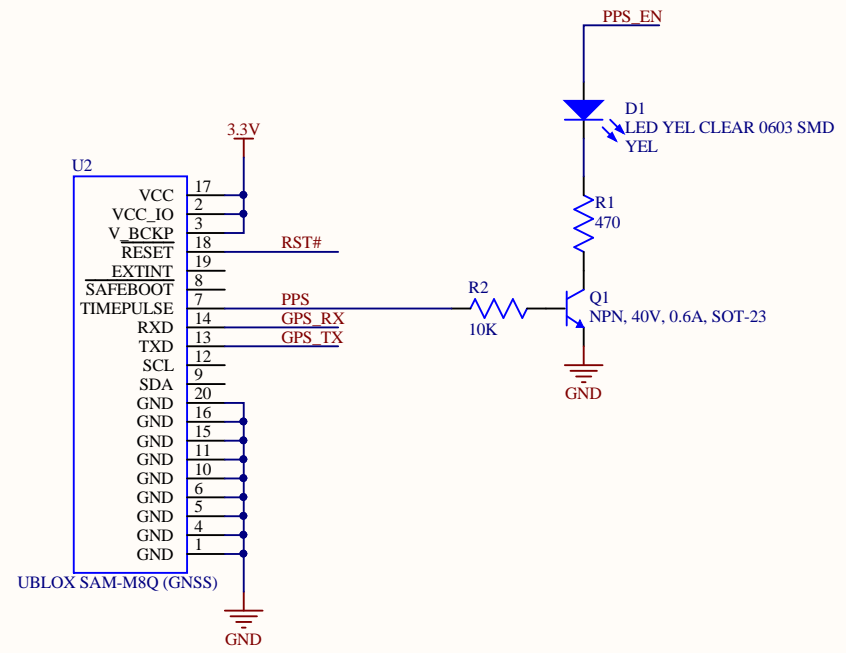
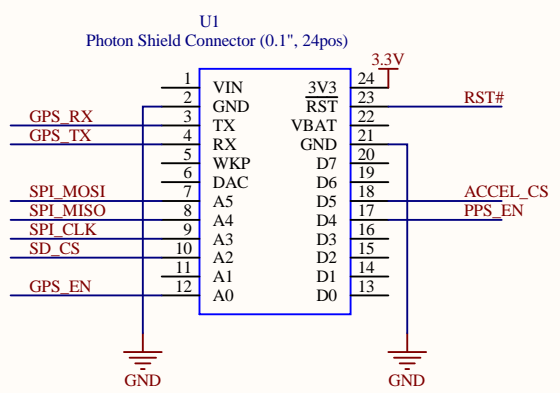
D

A

B

C

D



Title				Carloop GPS			
Size		Number		Revision		V1	
Letter							
Date: 5/8/2017				Sheet of			
File: E:\UpWork\...\Sheet1.SchDoc				Drawn By:			