



# SIGNATURE SERIES

Model OC-2400

*with AutoTilt*

# SIGNATURE SERIES

Model OC-2400

with AutoTilt

## Standard Chair Features

- Motorized tilt
- Hydraulic lift 9" stroke
- User programmable memory two position control
- Back illuminated membrane switch control on both chair sides
- Solid cast aluminum frame, armrest, footrest, and base
- Single button folding armrest
- Securely locking band brake with handle on both chair sides
- Ergonomically contoured cushions with anti-viral fabric
- Self-lubricating hinges and bushings
- Foot pedal control
- Innovative FlashPort technology

## Optional Features

- Dual foot pedal control

## Chair Dimensions and Specifications

### Movements

Elevation Stroke: 9"

Rotation Angle: 355°

### Electrical

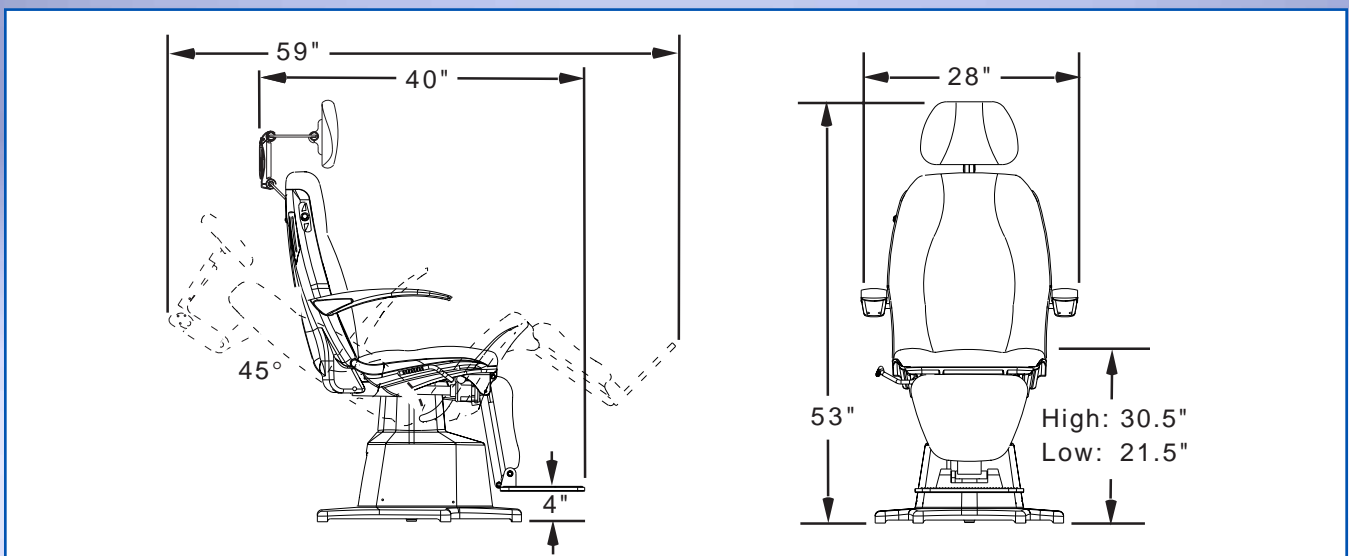
115 V, 60 Hz, 7 A

220 V, 50 Hz, 3 A

### Weight

Chair Capacity: 500 lbs.

Shipping Wt: 286 lbs.



Dimensions and specifications are subject to change without notice.

