

ENCORE AUTOMATIC CHAIR



Easy-to-use backlit fingertip switches on both sides control chair elevation, recline and return functions. Programmability allows the touch of a switch to instantly recline the chair to form a bed or any position desired. Another touch, and the chair assumes its original seated position.



Recline, as well as elevation, is controlled by Marco's exclusive field-proven hydraulic system for smooth, quiet adjustments.



Corded foot-pedal allows auxiliary control of elevation, recline and automatic return.



Can be interfaced with Marco's Encore and Deluxe2 Stands to form a wheelchair-accessible system.



Standard single-handed headrest with unique lock indicator assures the headrest is firmly and securely in position. Optional pillow headrest and surgical package are also available.



Scuff-resistant, high-impact covers on arms and chair base are easily cleaned.



Standard Marco ten-step, hand-finished painting process.



The Encore Automatic Chair includes the special Boltaflex Sierra upholstery which features a protective fabric finish that is easy to clean.



A pneumatically-assisted manual version of the Encore Chair is available for greater value in applications that don't require automated recline functions, Stock #1280.

With the touch of a button, the **MARCO ENCORE AUTOMATIC CHAIR** quickly reclines from an upright position to a fully horizontal, flat-table mode—or anywhere in between. Another button instantly returns the chair to its upright position. Marco's exclusive hydraulic system ensures silky smooth elevation and recline. This unique, fail-safe hydraulic mechanism also enables the chair to descend to an



Single-handed headrest.

extremely low position for easy entry by elderly patients, yet the high-end elevation remains uncompromised. Backlit flat overlay switches on both sides of the chair are easy to see in darkened rooms. The Marco Encore Automatic Chair is the ideal choice for those who prefer instant, automatic recline functions. Electrical requirements: 110V AC, 50/60 Hz, 7 amps maximum.



Backlit flat overlay switches are easy to see in a darkened room.



Easy, "dial-in" programming control with safety switch to disable chair operation.



Encore Automatic Chair in fully reclined position with Surgical Package installed.

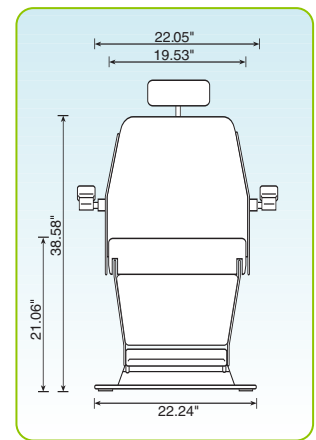
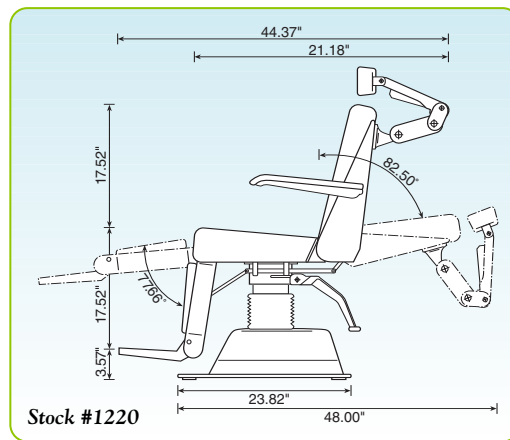


Ask your Marco Distributor about The Marco Package Plus Program.

PLAY IT SAFE.

Protect your warranty. Buy your Marco product only from an authorized Marco distributor. Call Marco for the name of the distributor nearest you.

MEASUREMENTS



Stock #1220

P055000 BRENCRAUTO

T H E L E A D E R I N V I S I O N D I A G N O S T I C S TM



11825 Central Parkway | Jacksonville, FL 32224 | 800 874-5274 | 904 642-9330 | www.marco.com