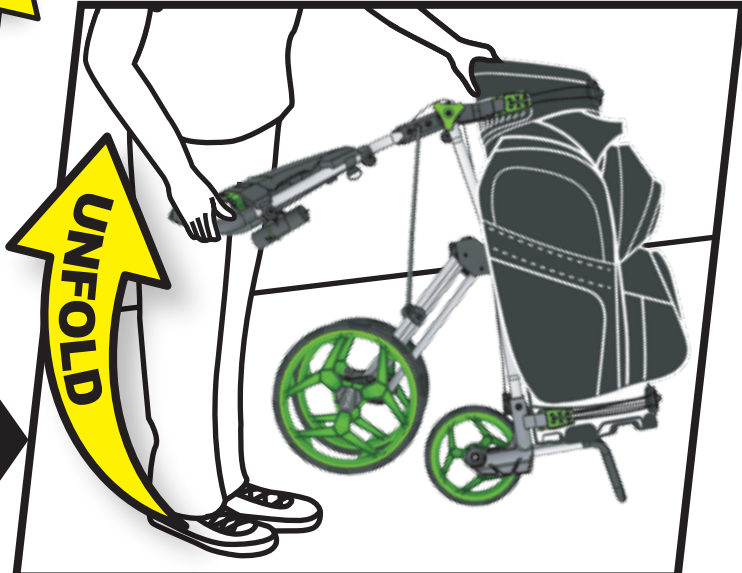


UNFOLD ▶

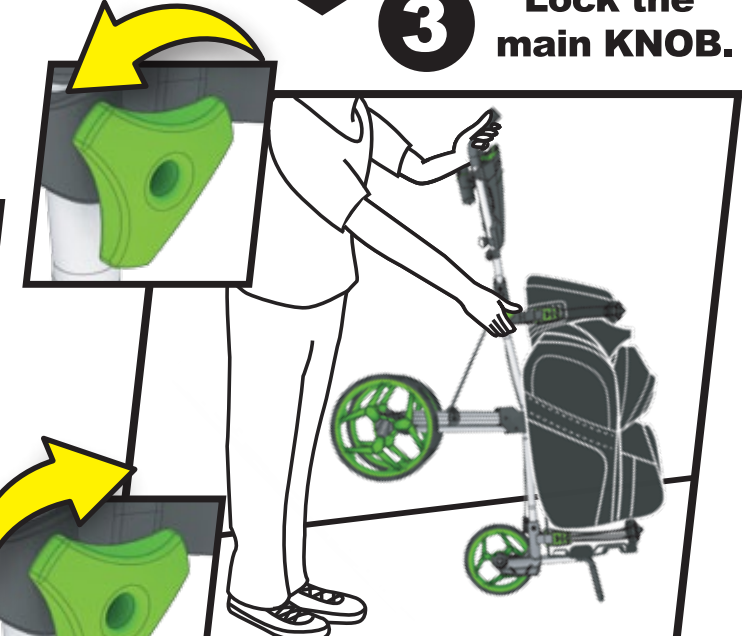
Unlock the main KNOB.



2 Holding the top of golf bag, Unfold the handle.



3 Lock the main KNOB.



! WARNING: Keep hands and fingers away from moving or sliding parts!

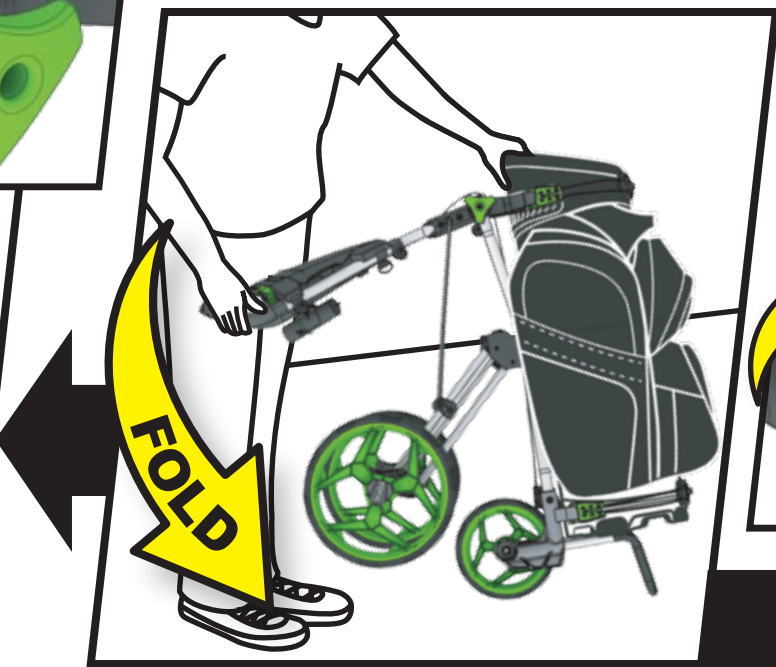
AVERTISSEMENT: Ne mettez pas vos mains et vos doigts à proximité des pièces mobiles et coulissantes !

VORSICHT: Halten Sie Ihre Hände von den beweglichen Teilen fern.

CAUTION: Mantenga sus manos y sus dedos alejados de las partes que se mueven o se deslizan!



3 Lock the main KNOB.



2 Holding the top of golf bag, Fold the handle towards the front wheel.

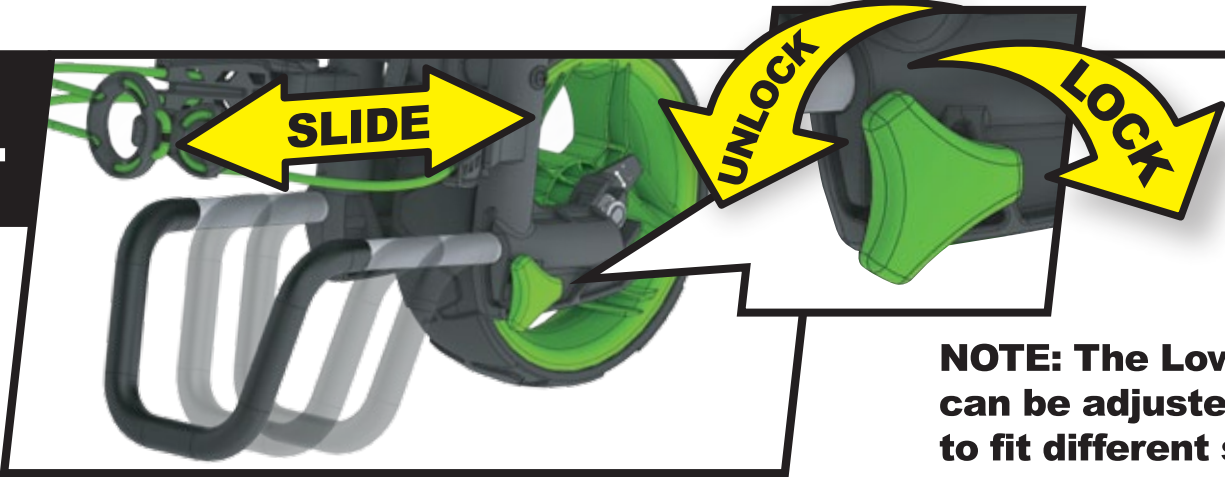
◀ FOLD

1 Unlock the main KNOB.



SLIDE IN THE BAG SUPPORT

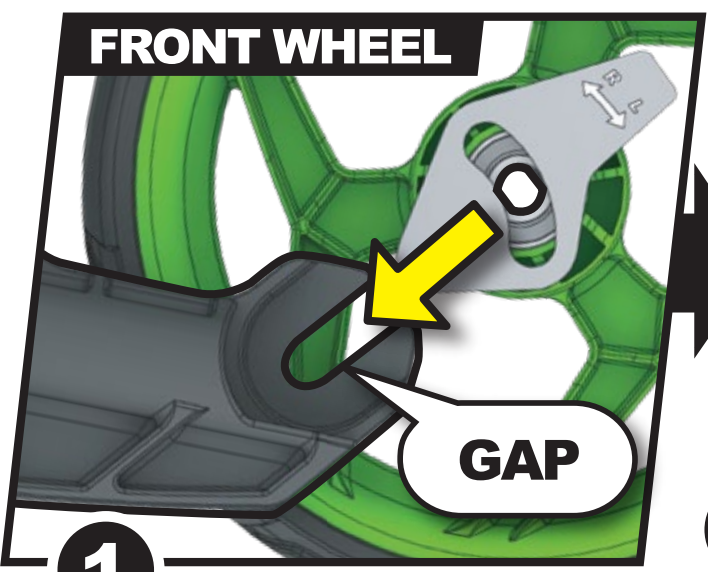
The Lower Bag Support will need to be inserted in to place and the knob tightened before use



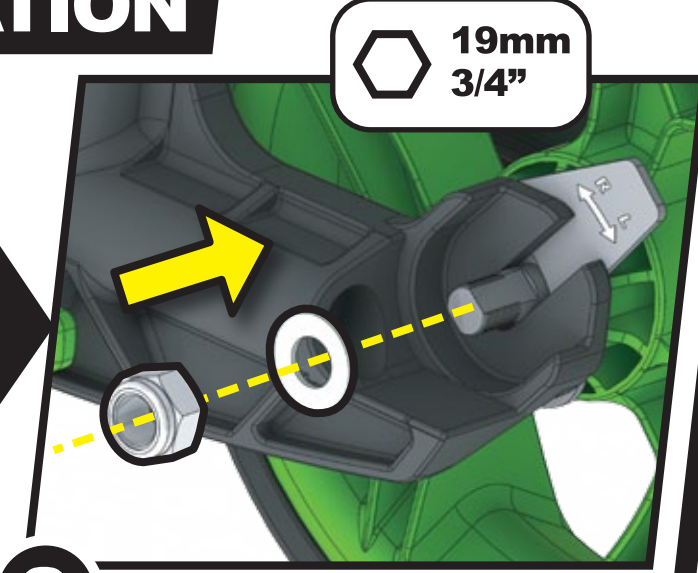
NOTE: The Lower Bag Support can be adjusted for storage or to fit different sized bags.

WHEEL INSTALLATION

FRONT WHEEL

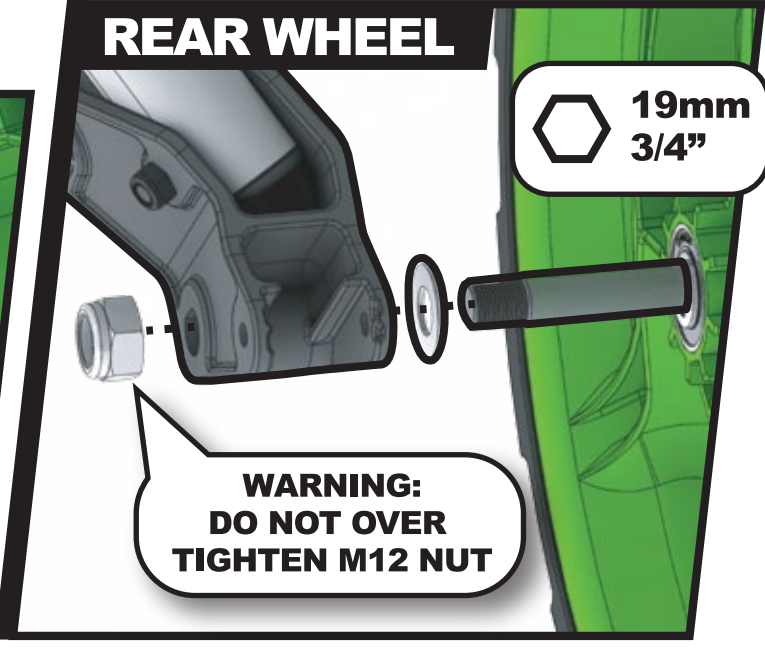


1 Slide into the GAP



2 Tighten up the axle nut (See Alignment)

REAR WHEEL



WARNING: DO NOT OVER TIGHTEN M12 NUT

Tighten up the axle nut