



Thank you for buying and riding with Portland Design Works gear!

We are a small team working together to create beautiful, simple gear for everyday cycling. Designed with intention in every detail, PDW products are produced in consideration of aesthetics, durability, rebuildability and fun.

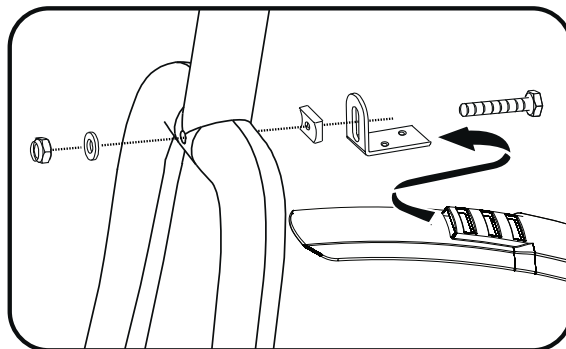
Since 2008, we've been developing gear that excites cyclists to ride and ride more often. That's why we make products that not only work great but have a bit of fun and flair too. We proudly stand behind that vision and every product we produce.

See you on the road, trail, and path! **-The PDW Crew**

sdapap™ Fenders

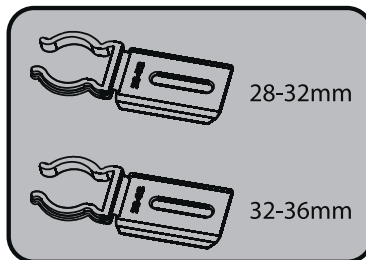
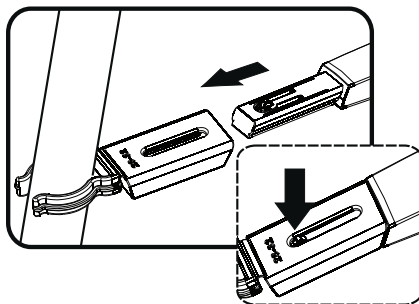


Front | Avant

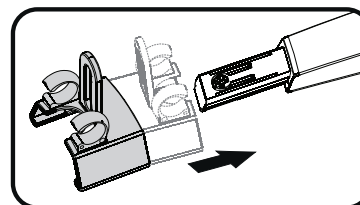


Rear | Arrière

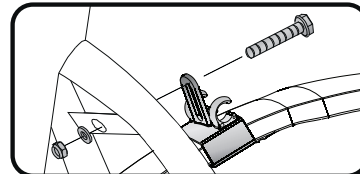
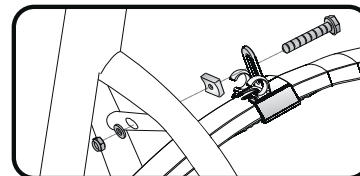
1



2



3



ridepdw.com | 503-234-7257
3625 SE 21st Ave Portland, OR 97202