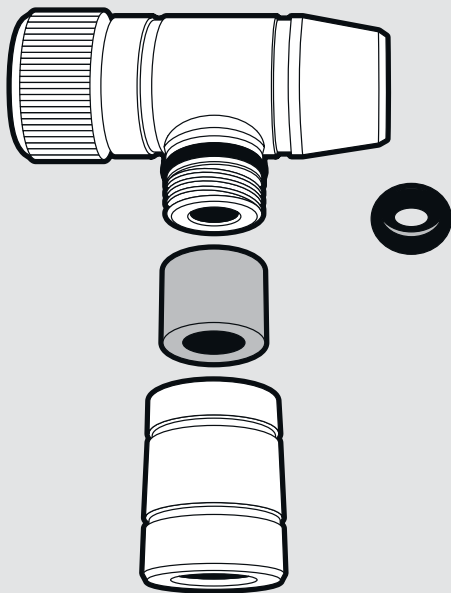




shiny Object™

Rebuild Kit Instructions



Only install one black o-ring over puncture pin.
2nd black o-ring is a spare.