

## Battery Care

- Fully charge your headlight before first use.
- Charge your headlight after each use. Never store a fully depleted light.
- Lithium-ion batteries naturally lose charge over time so top off your headlight if you haven't used it in 4 days.
- If storing for an extended period of time, fully charge your headlight at least once every 4 months.

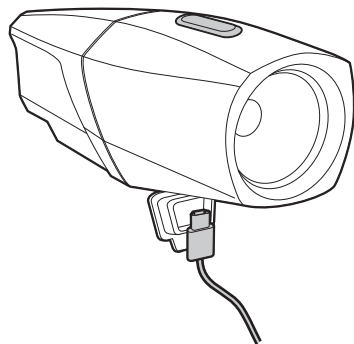
## Warranty

PDW provides warranty coverage against manufacturing defects for 2 years from date of purchase. Batteries are under warranty for 1 year from date of purchase, excluding misuse.

Please contact us for warranty questions at [info@ridepdw.com](mailto:info@ridepdw.com)

[www.ridepdw.com](http://www.ridepdw.com) / 503-234-7257

## Charging



Plug smaller end of USB cable into the headlight and the other end into a USB port on a computer or wall socket adapter.

Flashing Green = charging

Solid Green = fully charged

The headlight will charge from depleted to full in 5 hours.

## Operation

- To turn on and off, hold button for 1 second.
- With your light turned on, you can click through low, medium, high, flash, and pulse modes.
- Your headlight remembers the last mode you were in when you turned the light off and will turn on in the same mode the next time you use it.
- When green LED on the battery gauge begins flashing the battery is nearly depleted.
- Light will automatically turn off to protect the battery when the battery is fully depleted. Your light must be charged before it will turn on again.

## Handlebar Mount

